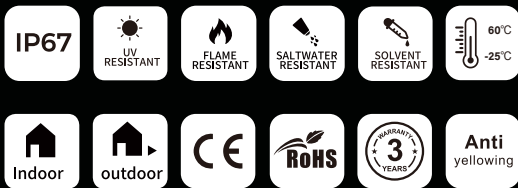


Flex Led Neon Light

# N0410T-Series



## Product Specification

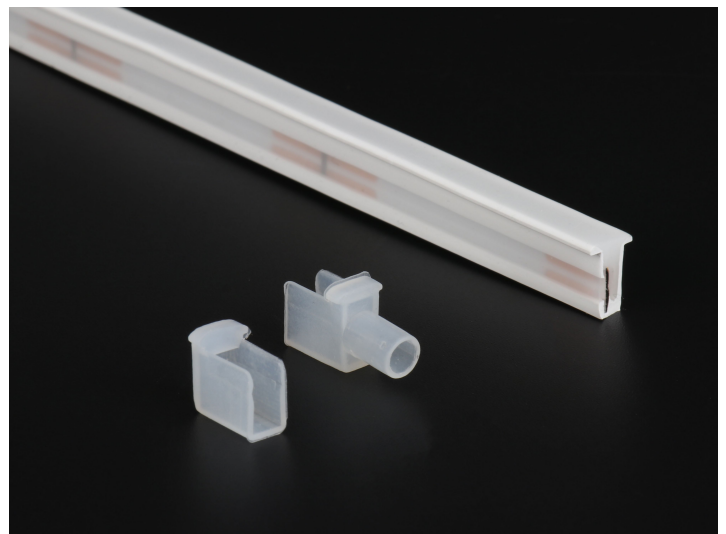


# LED strip colloid specifications comparison

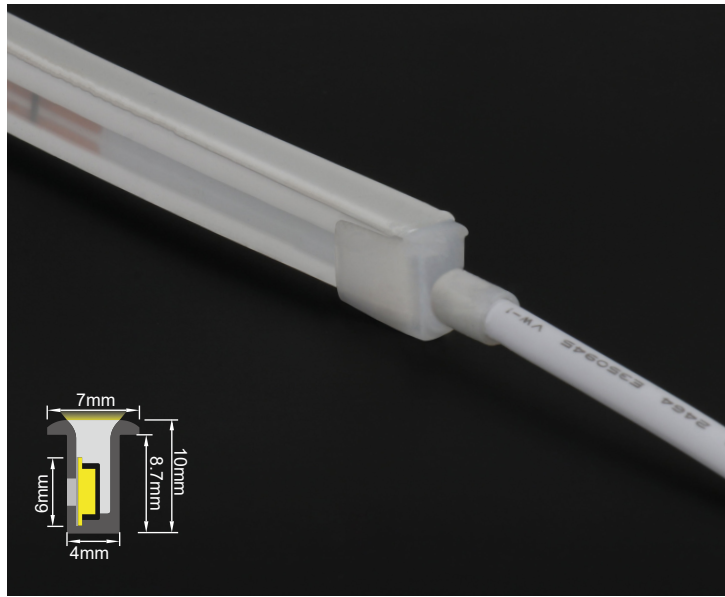
Materials	Silicone flexible led strip	PVC flexible led strip	Notes
Main parameters			
Colloid features in -40°C	No crack after 30 days	Totally cracked	The low temperature resistant of silicone is superior than PVC or epoxy materials
Colloid features in 120°C	No obvious change after 72 hours	Colloid changed into yellow and deformed after 2 hours	The high temperature resistant of silicone is superior than PVC or epoxy
Colloid features in 180°C	No obvious change after 72 hours	Colloid changed into brown and some melted after 20 minutes	Over 150°C, PVC is easily hydrolyzed, Viscosity becomes weaken and easily seperated
Steadily lighted in Seawater for 72 hours	No obvious change	Serious atomization on the surface	The waterproof grade of silicone led strip can reach to IP67, high resistance to acidic alkali and salt properties
Thermal conductivity	Good thermal conductivity	No thermal conductivity	Pvc and epoxy cannot conduct heat, while silicone has good thermal conductivity

## Product features

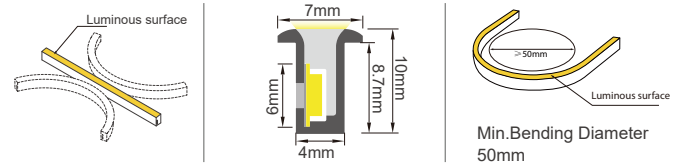
- Anti-yellowing and heat resisting silicone glue, chemical resistance acid and alkaline, available for extremely terrible outdoor environment.
- Uniform and soft luminance, no light spot.
- Super brightness large chip, golden wire welded and copper led holder for quicker heat dissipation, higher stability, longer life span.
- Leadless SMT technique (RoHS certificated), smooth welding joint, firm connection of led and pcb.



# Specification



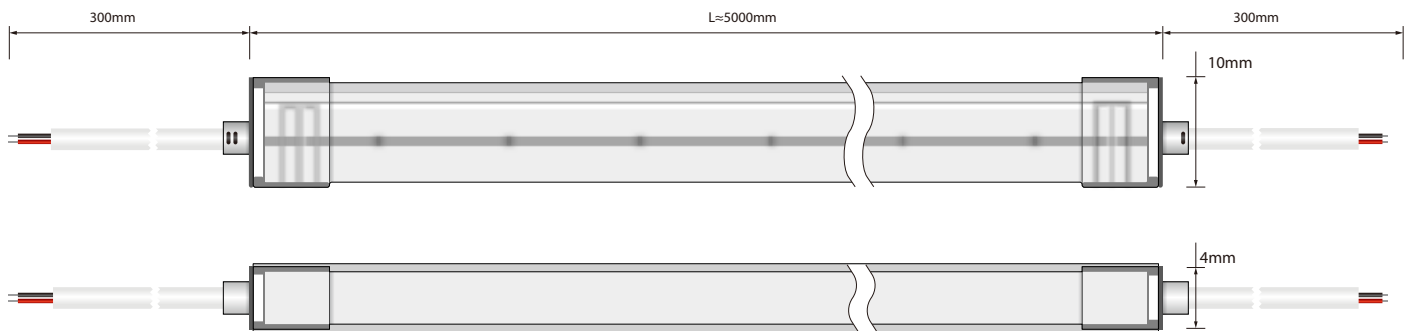
## Bending (Silicone)



IP67 Protection	Flame Resistant	UV Resistant	Solvents Resistant	Saltwater Resistant
Dirt Resistant	CRI90	3 Years Warranty	Ambient Working 60°C -25°C	Anti yellowing

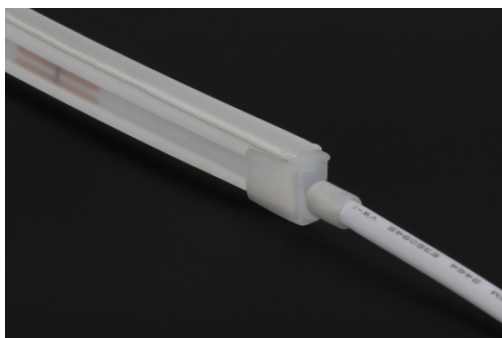
Model Number	N0410T	Size (mm)	4*10
PCB Limited (mm)	6mm	IP Grade	IP67
Working Temperature	-25 to 60°C	N.W.(G/M)	270g

## Dimensions of light



## VARIOUS CONNECTIONS

### Silicone glue endcap






front cable entry



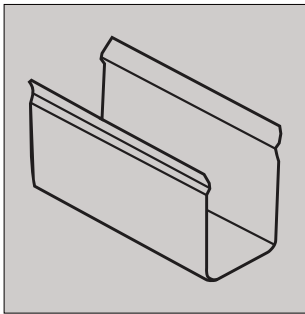
closed

# Recommend LED strip parameters

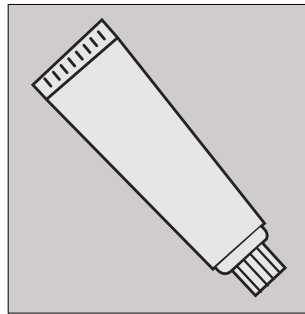
## 1) N0410T-WHT

SMD2835, 168 LED/meter								
Part number	Color	Luneh/M (LEDS)	Unit cut	Cut every (LEDS)	LED Qty/M	Voltage	Power/M	Max run length
2835-168-24V	WW 	216	41.67mm	7	168	24V	9.6W	5 meters from one end
	NW 	228						
	CW 	225						

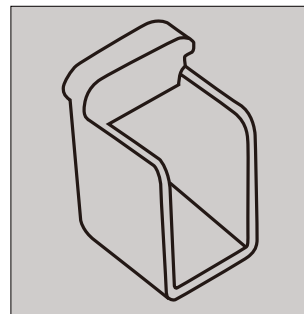
## N0410T-Accessories



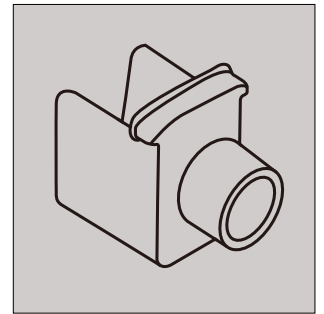
Mounting clip  
(Optional)



Glue





Closed silicone  
endcap



Silicone endcap  
-front

## Cable

Cable Type	Schematic Diagram	Specification	Core	Electrical Properties
PVC Cable		OD: 4.0mm /Inner core: 20AWG		Red V+,Black V-

Note: For more accessories, please contact our sales.

## Driver & Cotronller



Order code: XLG-150-24-A  
AC100-305V DC24V 150W  
IP67, Global certification.  
Non Dimmable.



Order code: ELG-150-24B  
AC100-305V DC24V 150W  
IP67, Global certification  
3in1 dimming function: 0-10Vdc,  
10V PWM signal and resistance.



Order code: ELG-150-24DA  
AC100-305V DC24V 150W  
IP67, Global certification  
Dali control technology.

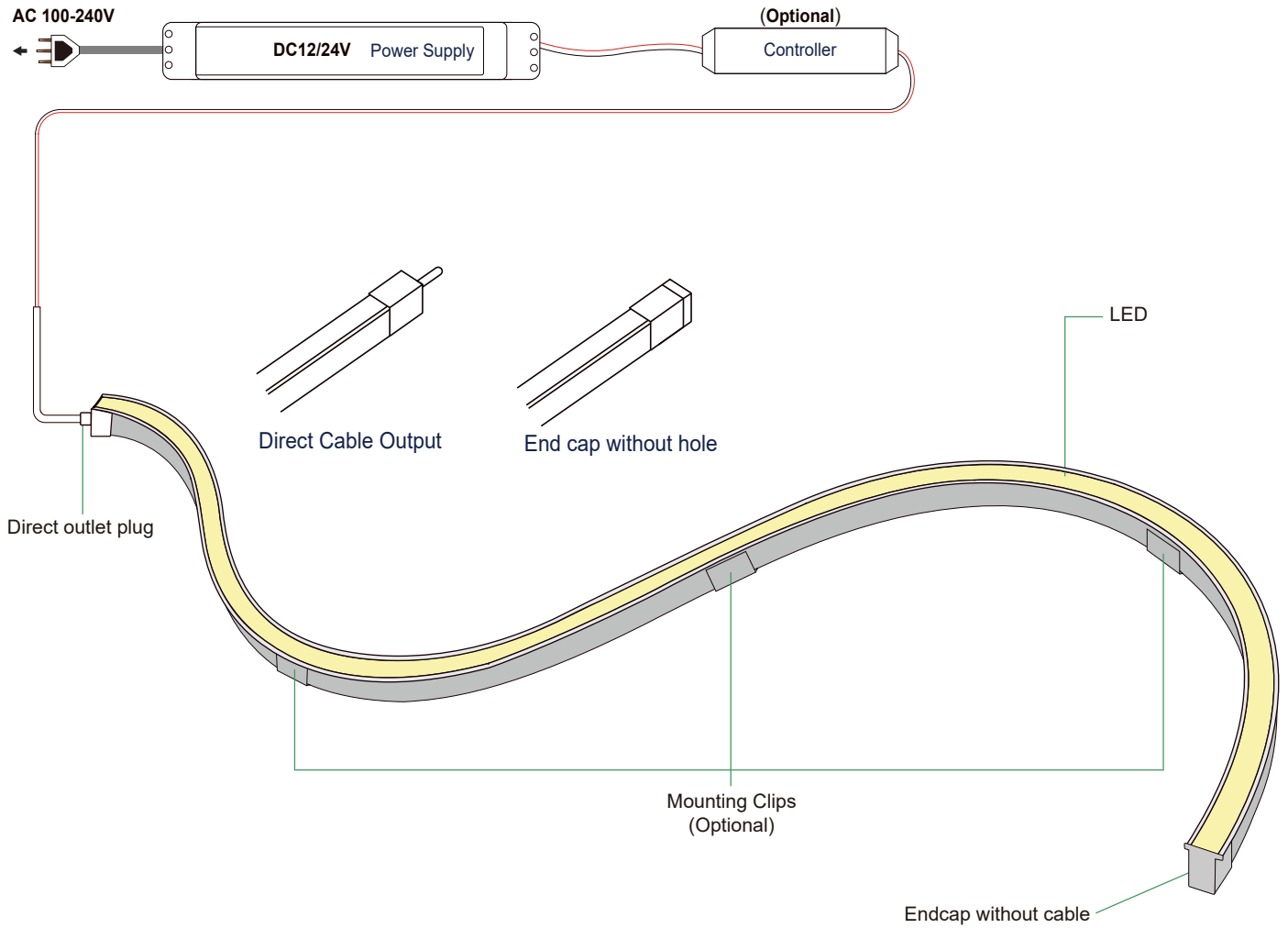


Order code: ELG-150-24DA  
AC100-305V DC24V 150W  
IP67, Global certification  
Dali control technology.

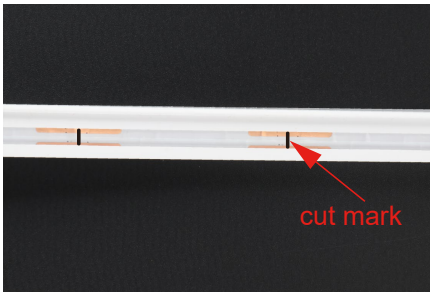


Dimmer:1 Channel DC12V/24V, 6A,  
Dimmer, RF remote with finger touch  
ring.

# Product system solutions



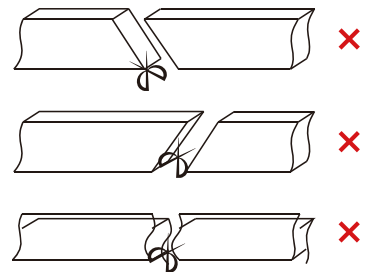
## Cut mark



Remarks: There is a transparent window at the bottom of the light strip,



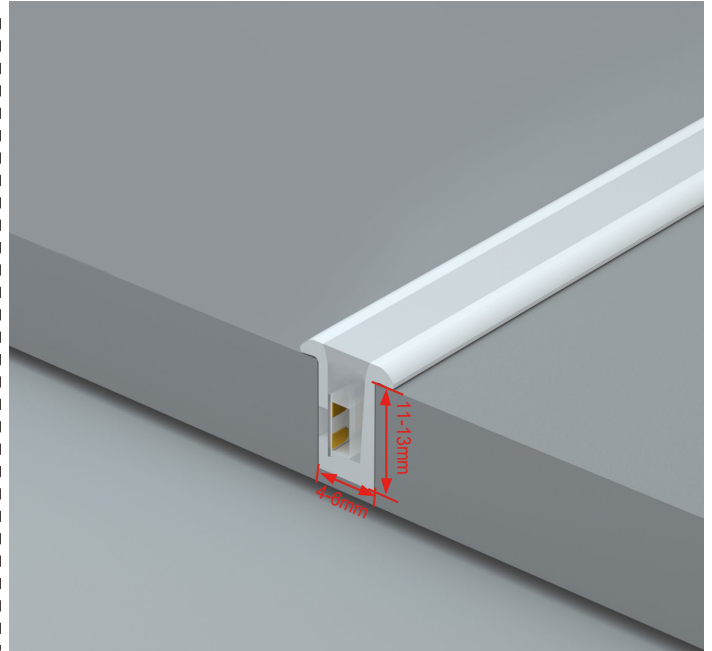
Make precise vertical cuts at the exact cut position of the light strip.



Please do not arbitrarily cut or cut into a bevel and arc section.

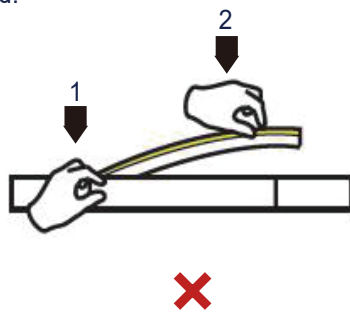
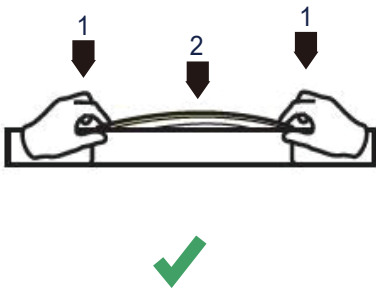
# Installation

This product is suitable for surface mounting or embedded sealing installation. Recommended slot size: Width 4-6mm, Depth 11-13mm, gently press the neon sleeve into the slot.



## Installation of carrier

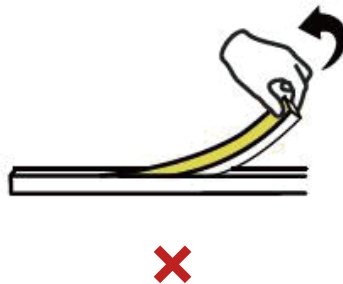
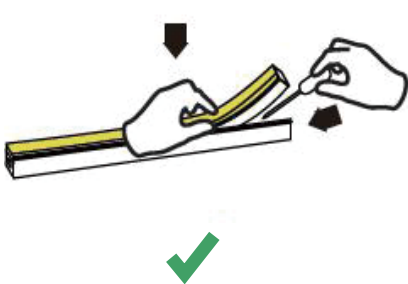
1. When installing the LED strip, install it from both ends at the same time, installation from one direction is prohibited.



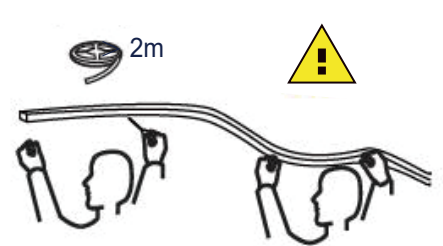
⚠ If the length of LED strip is over 2m, it is recommended to install by two persons.



2. Use tool to disassemble carefully, and do not pull the LED strip directly.



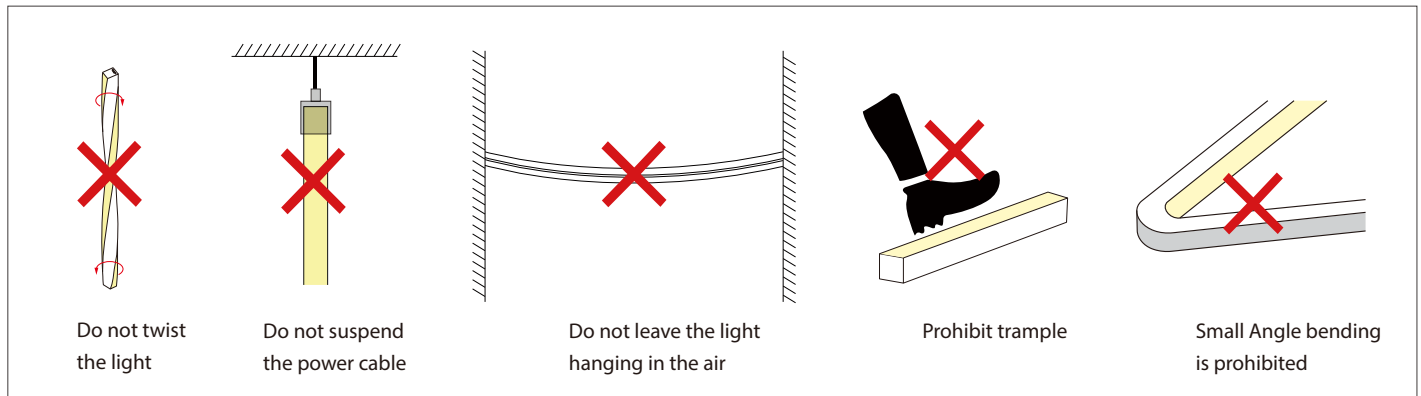
⚠ If the length of LED strip is over 2m, it is recommended to disassemble by two persons.



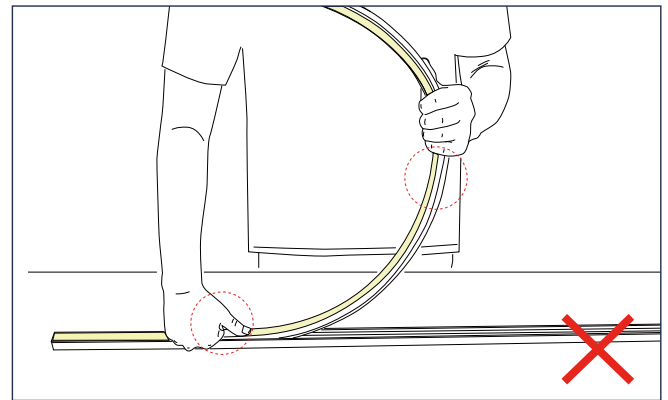
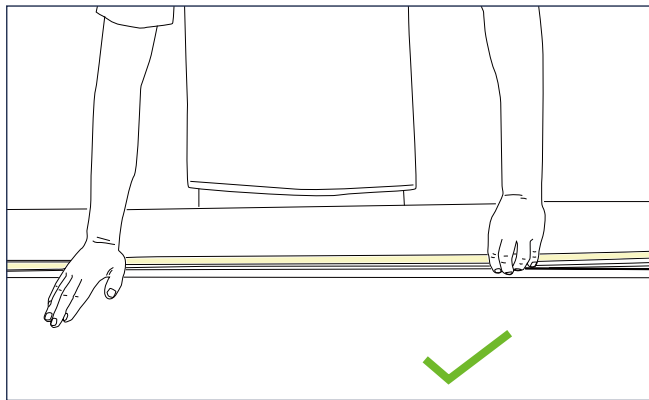
## Cautions

- Please notice that the strips are not bendable to all directions. As the appropriate specific shape and degree, please follow the following instruction.
- LED strips are low voltage products, you must use the power supply (transformer). Please don't connect the led strip directly to the AC 110V or AC 220V. Otherwise, it will burn out the LED strips and lead to safety (security) accidents.
- Please read the specifications thoroughly before installation by professional staff to make sure the safe use.

## Wrong bending way



## Correct bending way

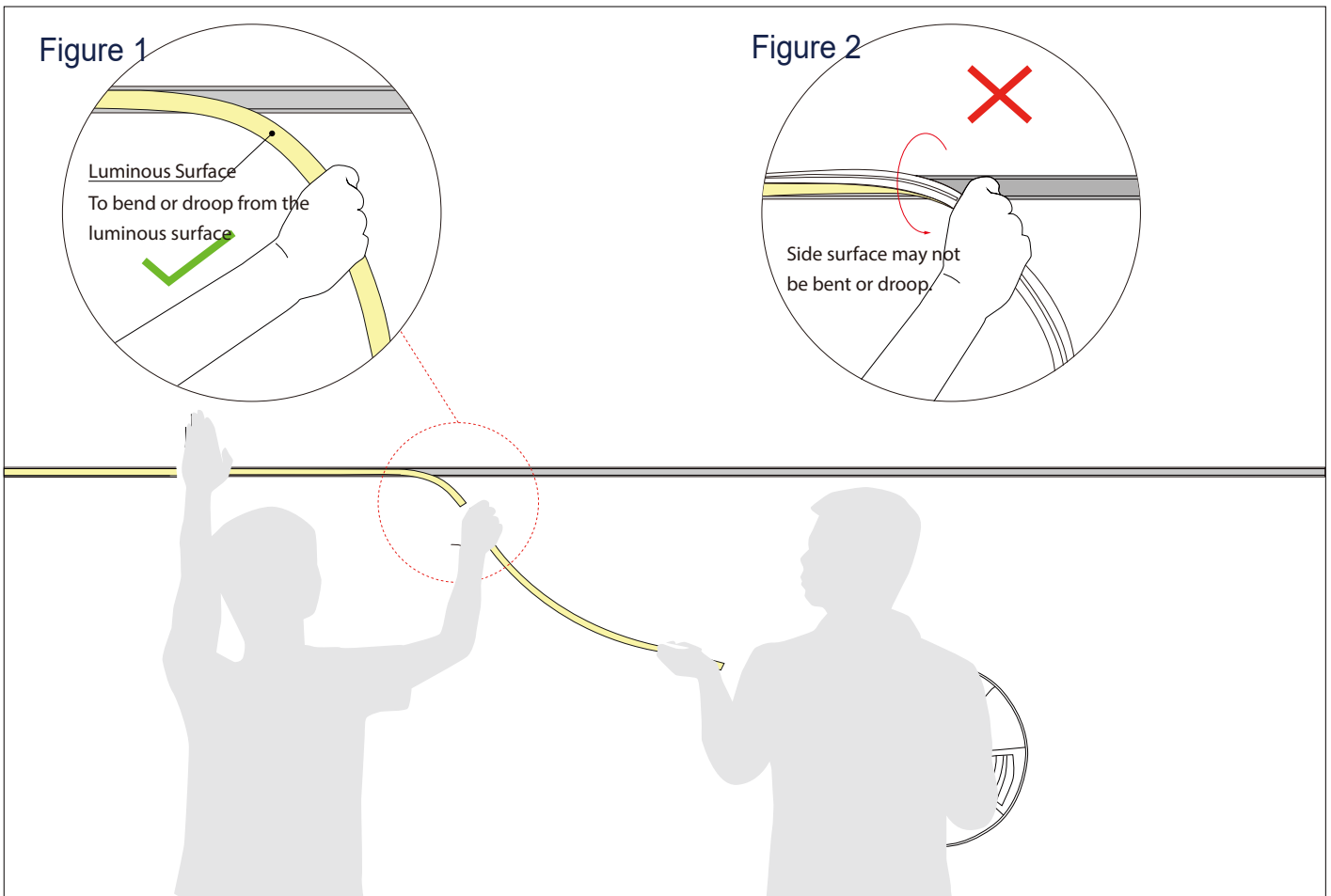


- Please press the led strip with your palm to slowly insert the led strip into the groove, and gently straighten the led strip above the groove with your right hand.
- Try to keep the led strip in a flat state during the installation process.

- Do not press the led strip with a single finger, it is easy to damage the internal parts of the led strip.
- The bent arc of the led strip should not be too large during installation.

# Installation Precautions -- Side Mounted

( If the length of the light is more than 2 meters, two persons must work together to install it. )



## 1. Installer:

- Press the light with the palm of the left hand to slowly load it into the slot. Straighten the light with right hand so that it droop in the direction of your hand. See Figure 1.
- Side surface may not be bent or droop, See Figure 2.

## 2. Assistant:

- Cooperate with the installer to lift the reel of the light, and then slowly deliver the light to installer. Do not pull or twist the light during the installation.

## Package of neon strip (5M/Roll)

