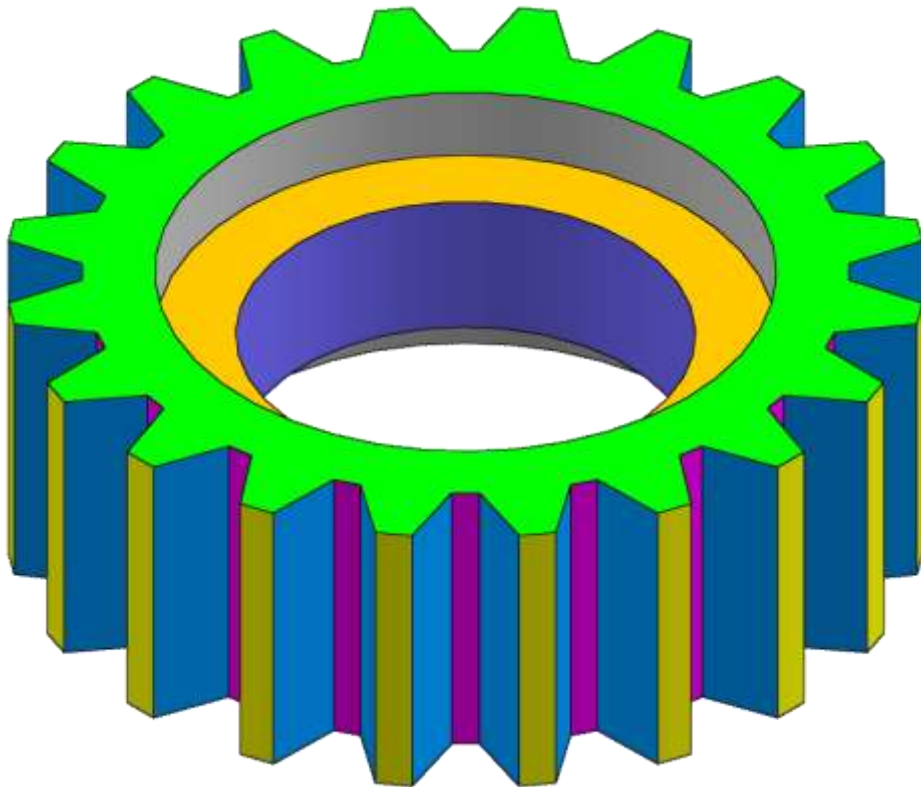


**AUTODESK**

# **AUTOCAD MECHANICAL**

**400 PRACTICE DRAWINGS**

**For AUTOCAD MECHANICAL and Other Feature-Based  
CAD Software**



**200 2D Practice Exercises & 200 3D Practice Drawings  
For Beginner, Intermediate and Advance cad users**

**Sachidanand Jha**

AUTODESK

# AUTOCAD MECHANICAL

400 PRACTICE DRAWINGS

SACHIDANAND JHA



Dear Reader,

Thank you for choosing **AUTOCAD MECHANICAL** book. This book is part of a family of premium-quality CADin360 books, all of which are written by Outstanding author who combine practical experience with a gift for teaching.

CADin360 was founded in 2016. More than 3 years later, we're still committed to producing consistently exceptional books. With each of our titles, we're working hard to set a new standard for the industry. From the paper we print on, to the authors we work with, our goal is to bring you the best books available.

I hope you see all that reflected in these pages. I'd be very interested to hear your comments and get your feedback on how we're doing. Feel free to let me know what you think about this or any other CADin360 book by sending me an email at [contactus@cadin360.com](mailto:contactus@cadin360.com).

If you think you've found a technical error in this book, please visit <https://cadin360.com/contact-us/>.

Customer feedback is critical to our efforts at CADin360.

Best regards,

Sachidanand Jha  
Founder & CEO, CADin360



# AUTOCAD MECHANICAL

## AUTOCAD MECHANICAL

Published by  
CADin360  
[cadin360.com](http://cadin360.com)

Copyright © 2019 by CADin360, ALL Rights Reserved

This book is copyrighted and the CADin360 reserves all rights.

No part of this publication may be reproduced, stored in a retrieval system or transmitted, transcribed, stored in retrieval system or translated into any language, in any form or by any means, electronic, mechanical, photocopying, recording, scanning or otherwise, without the prior written permission of the publisher & Author.

### Limit of Liability/Disclaimer of Warranty:

The publisher and the author make no representations or warranties with respect to the accuracy or completeness of the contents of this work and specifically disclaim all warranties, including without limitation warranties of fitness for a particular purpose. No warranty may be created or extended by sales or promotional materials. The advice and strategies contained herein may not be suitable for every situation. This work is sold with the understanding that the publisher is not engaged in rendering legal, accounting, or other professional services. If professional assistance is required, the services of a competent professional person should be sought. Neither the publisher nor the author shall be liable for damages arising herefrom. The fact that an organization or Web site is referred to in this work as a citation and/or a potential source of further information does not mean that the author or the publisher endorses the information the organization or Web site may provide or recommendations it may make. Further, readers should be aware that Internet Web sites listed in this work may have changed or disappeared between when this work was written and when it is read.

### Examination Copies

Books received as examination copies in any form such as paperback and eBook are for review only and may not be made available for the use of the student. These files may not be transferred to any other party. Resale of examination copies is prohibited

### Electronic Files

The electronic file/eBook in any form of this book is licensed to the original user only and may not be transferred to any other party.

### Disclaimer:

All trademarks and registered trademarks appearing in this book are the property of their respective owners.

# PREFACE

## AUTOCAD MECHANICAL

- ❖ This book contain 200 2D CAD practice exercises and 200 3D Part Modeling exercises.
- ❖ This book does not provide step by step tutorial to design 3D models.
- ❖ S.I Units is used.
- ❖ Predominantly used Third Angle Projection.
- ❖ This book is for **AUTODESK AUTOCAD MECHANICAL** and Other Feature-Based Modeling Software such as Autodesk Inventor, Catia, SolidWorks, NX, Solid Edge, AutoCAD, Creo etc.
- ❖ It is intended to provide Drafters, Designers and Engineers with enough 2D & 3D CAD exercises for practice on any CAD programs .
- ❖ It includes almost all types of exercises that are necessary to provide, clear, concise and systematic information required on industrial machine part drawings.
- ❖ Third Angle Projection is intentionally used to familiarize Drafters, Designers and Engineers in Third Angle Projection to meet the expectation of world wide Engineering drawing print.
- ❖ Clear and well drafted drawing help easy understanding of the design.
- ❖ This book is for Beginner, Intermediate and Advance CAD users.
- ❖ These exercises are from Basics to Advance level.
- ❖ Each exercises can be assigned and designed separately.
- ❖ No Exercise is a prerequisite for another. All dimensions are in mm.
- ❖ Note: Assume any missing dimensions.

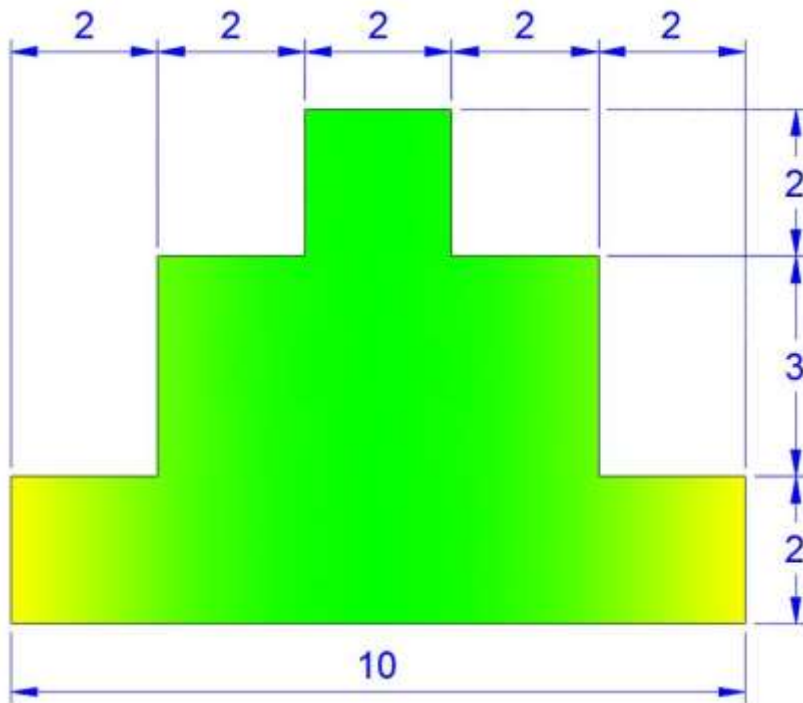


EX- 2D

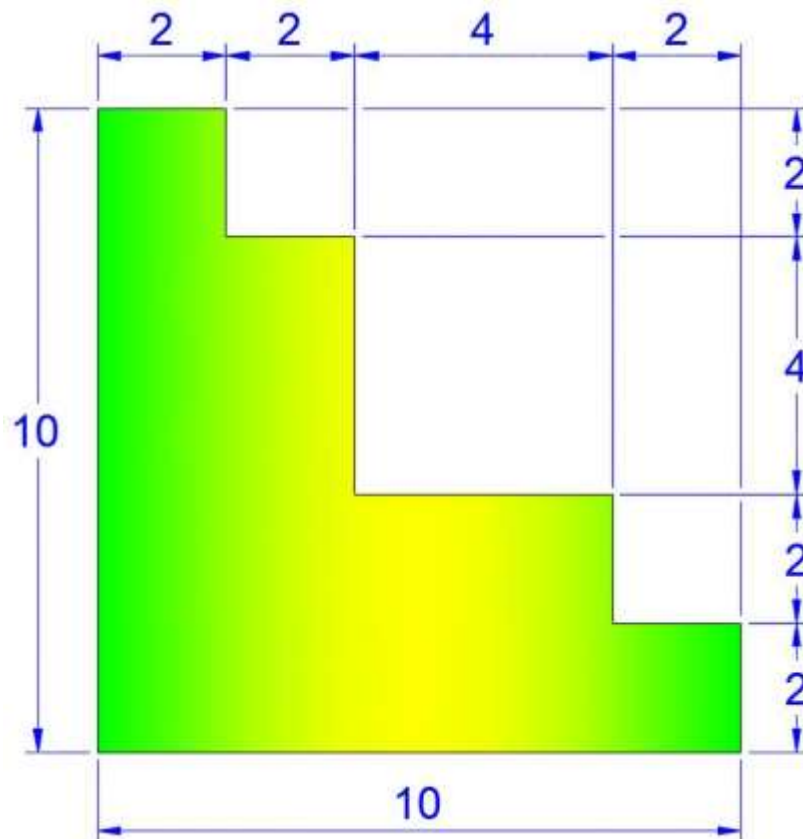
2D

SKETCHING

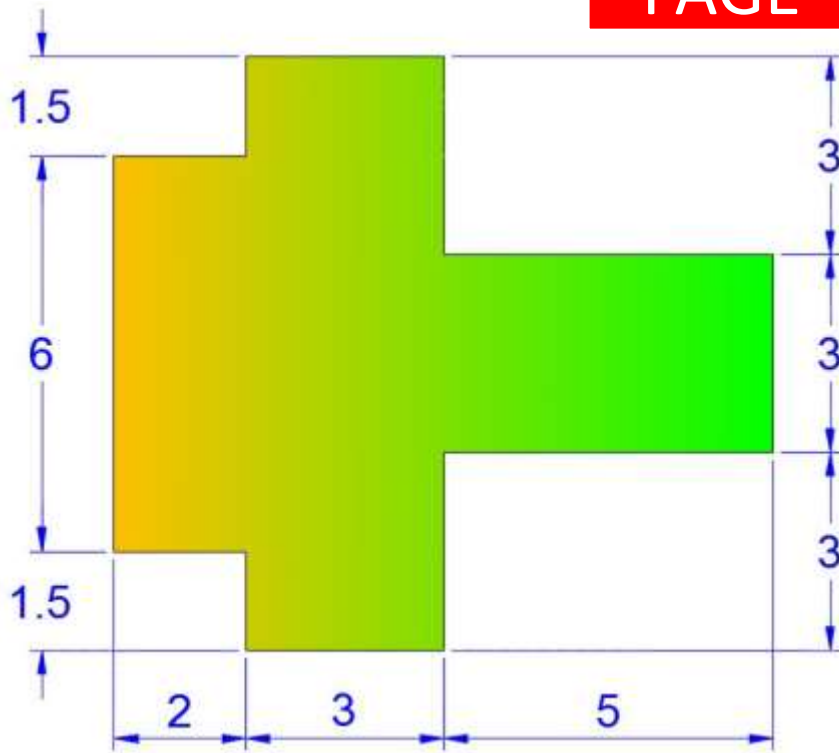
EX-01



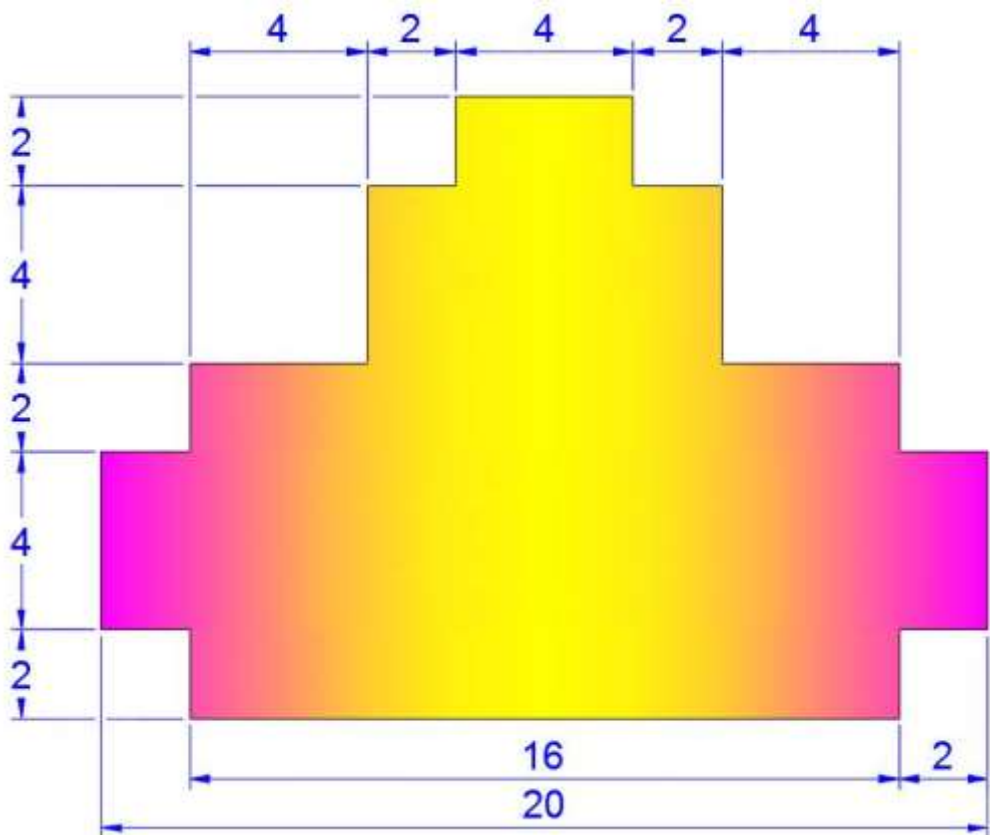
EX-02



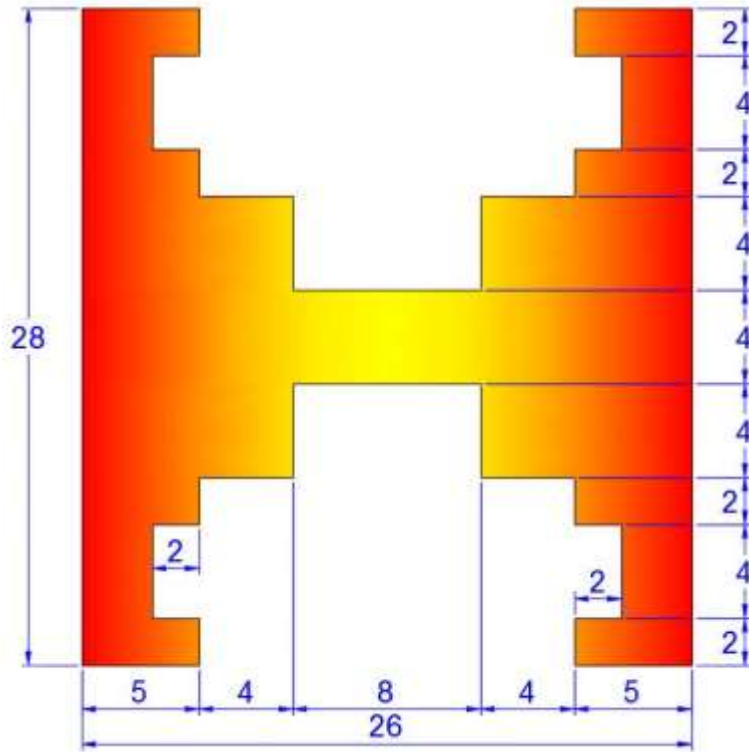
EX-03



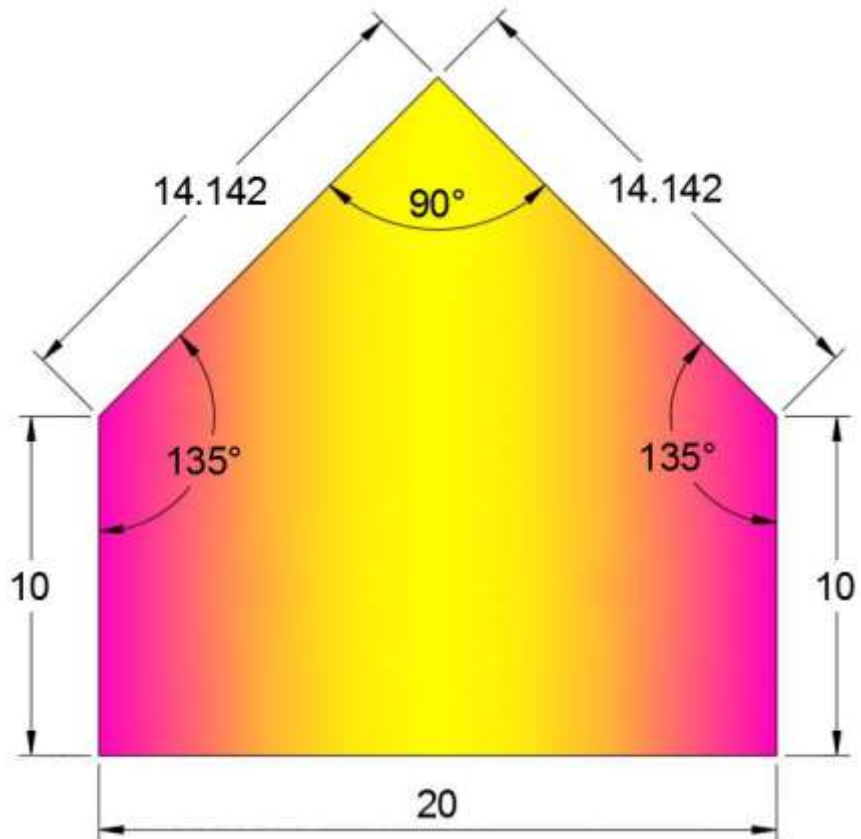
EX-04



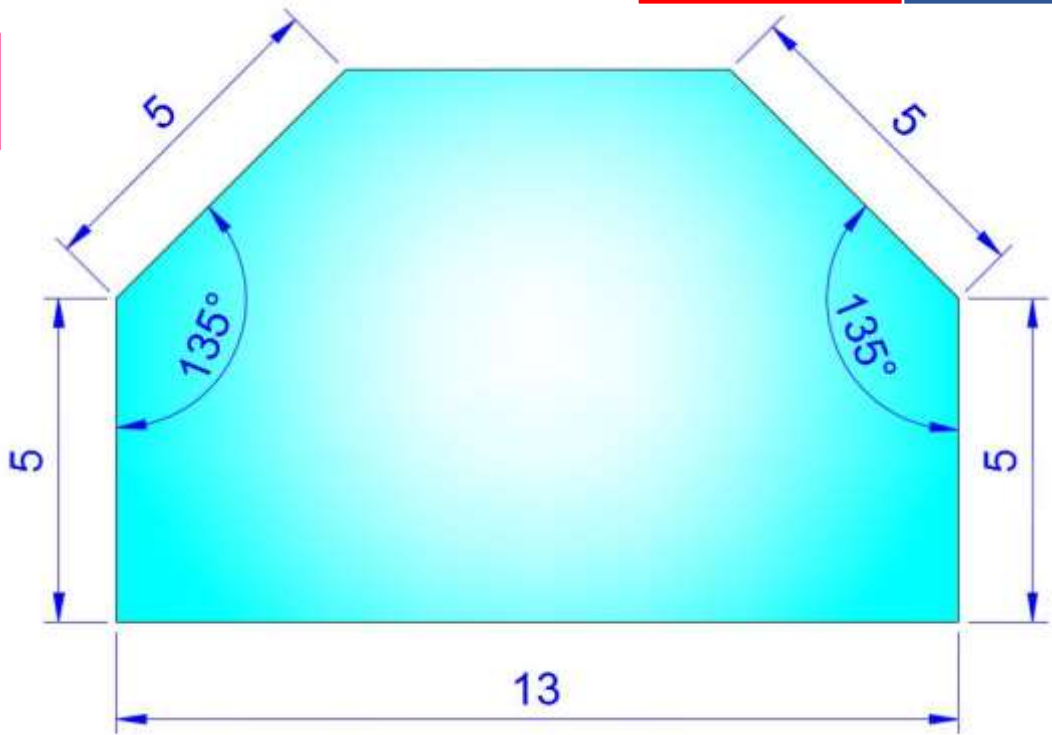
EX-05



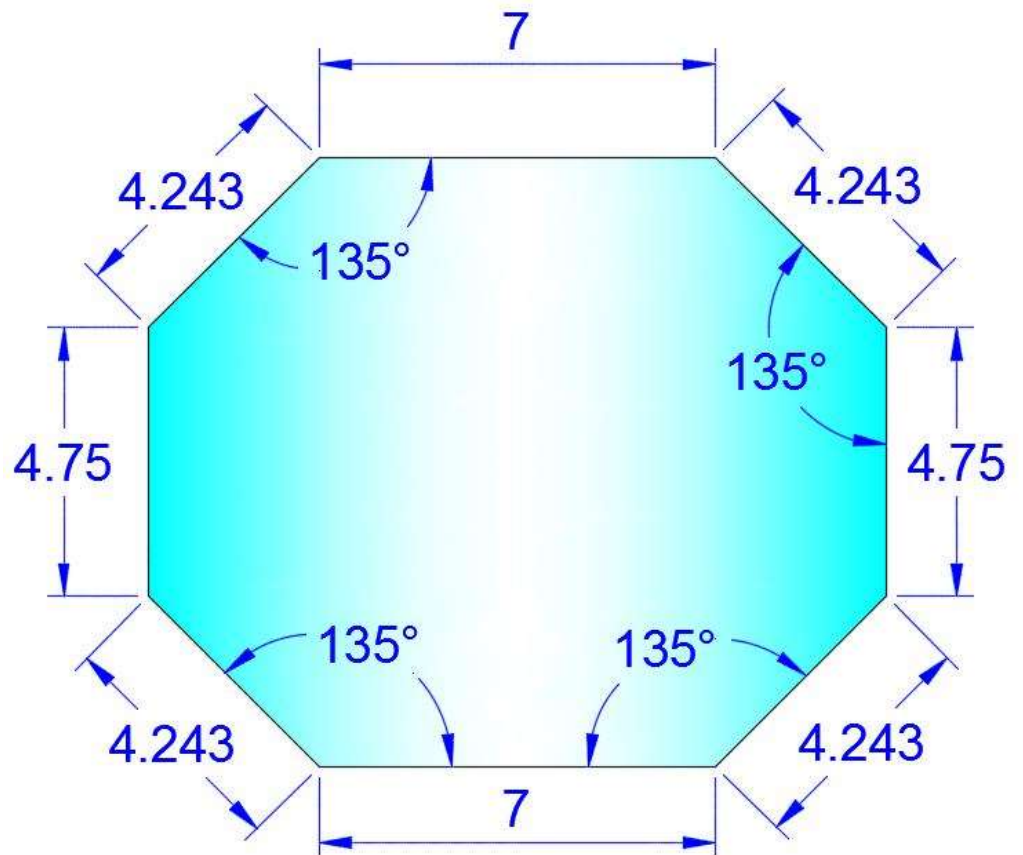
EX-06



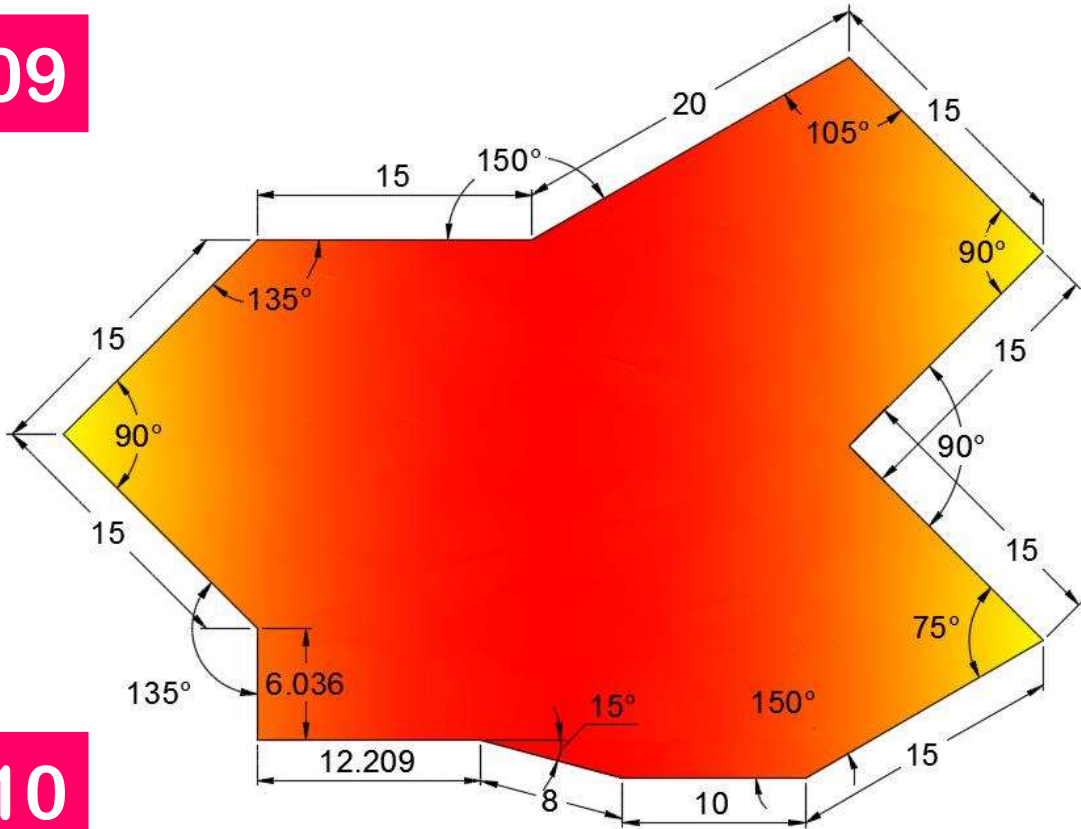
EX-07



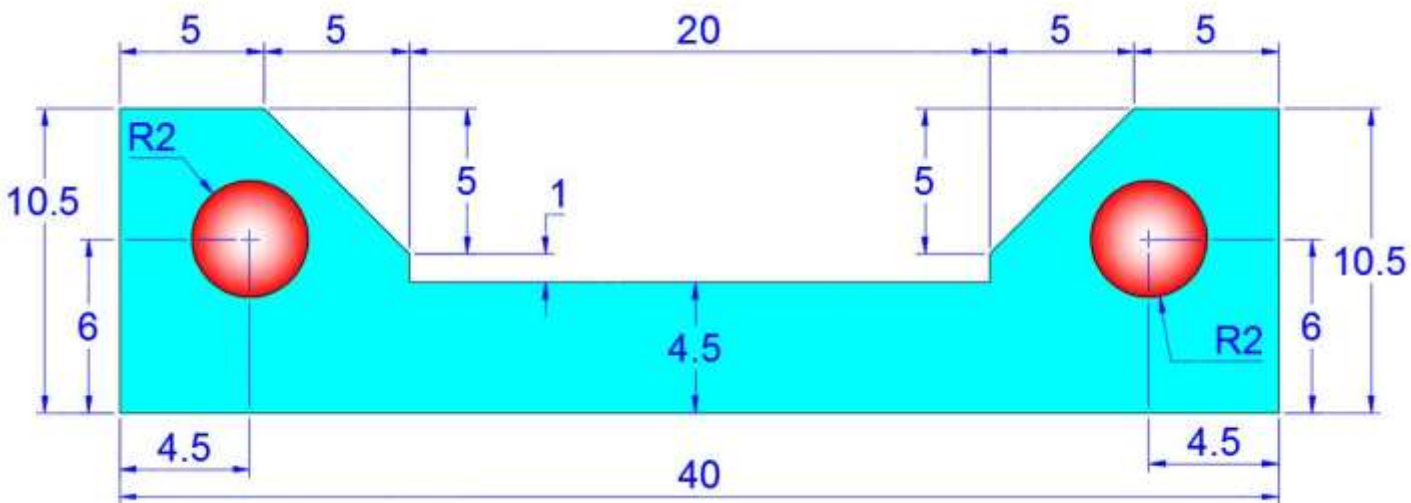
EX-08



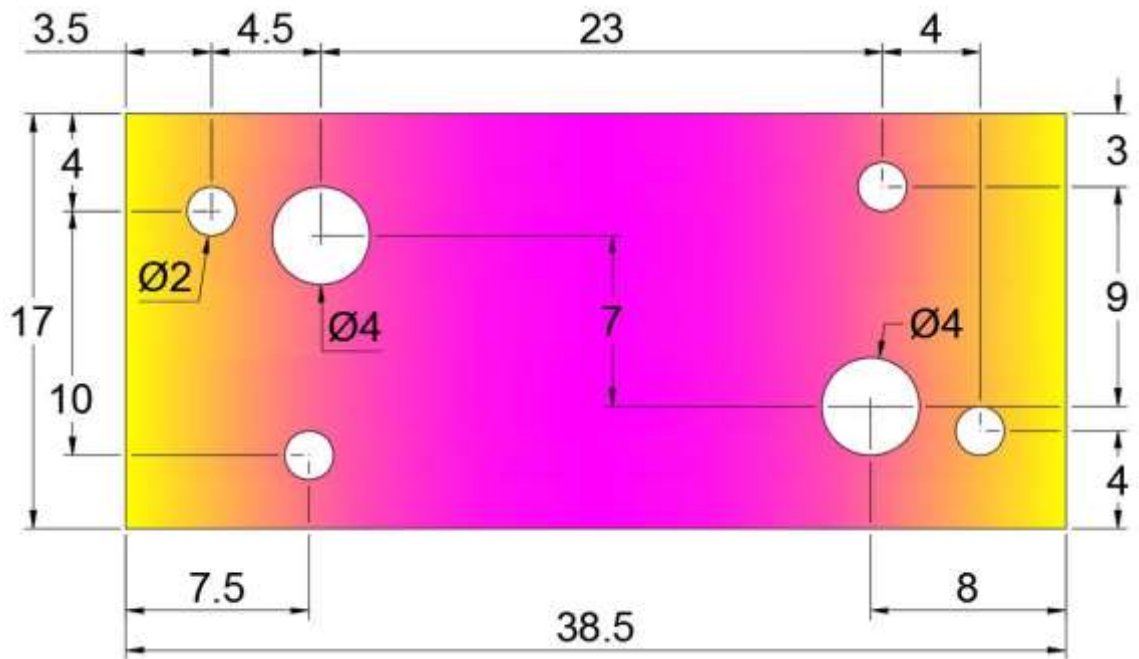
EX-09



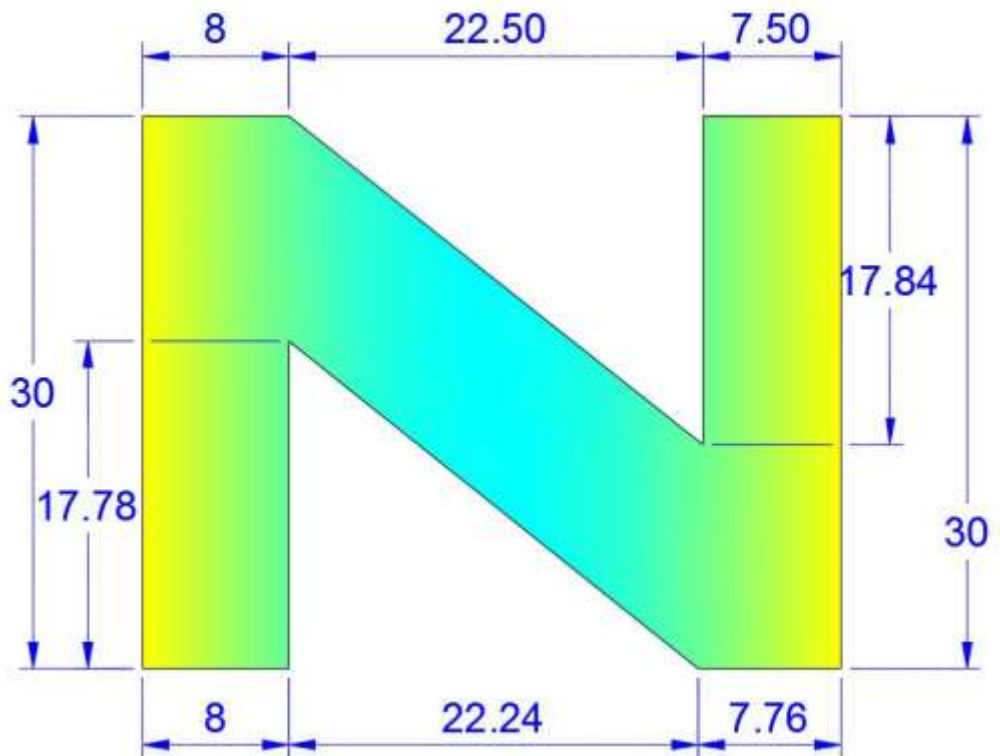
EX-10



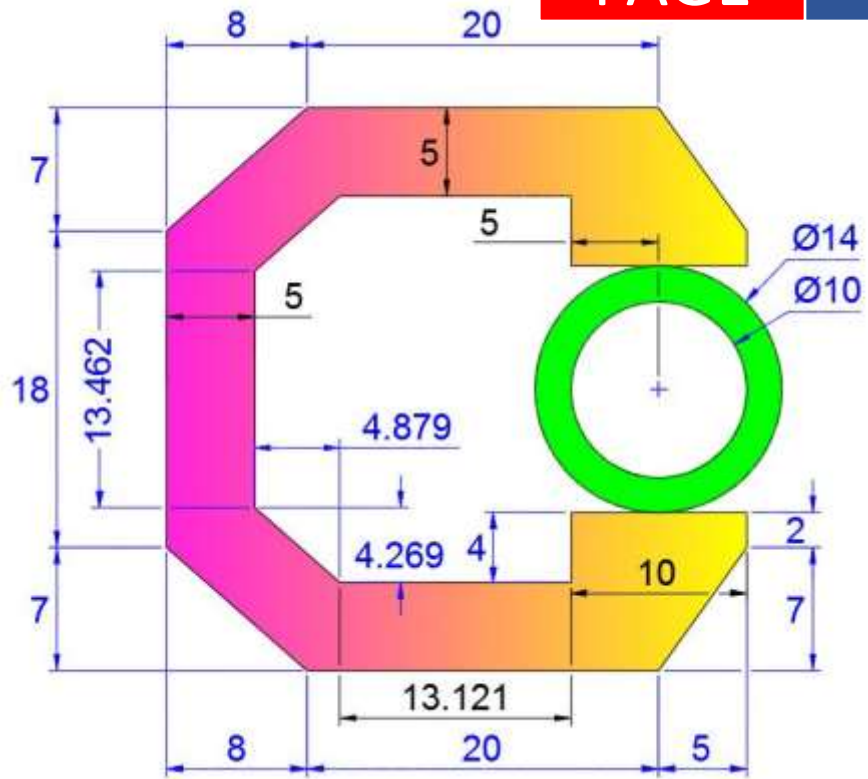
EX-11



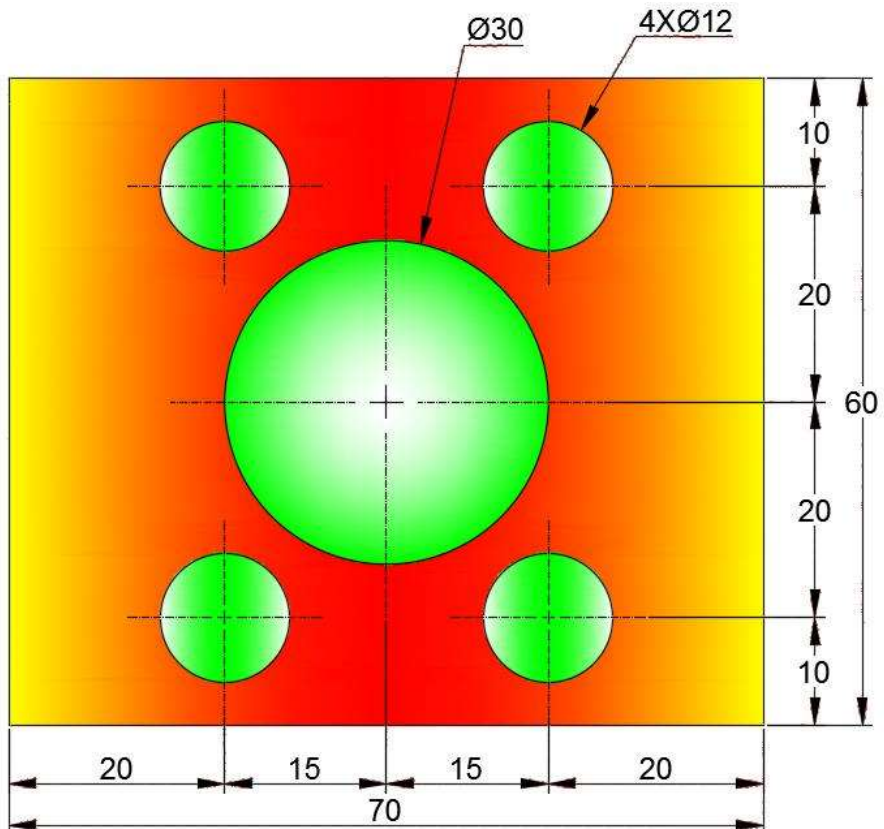
EX-12



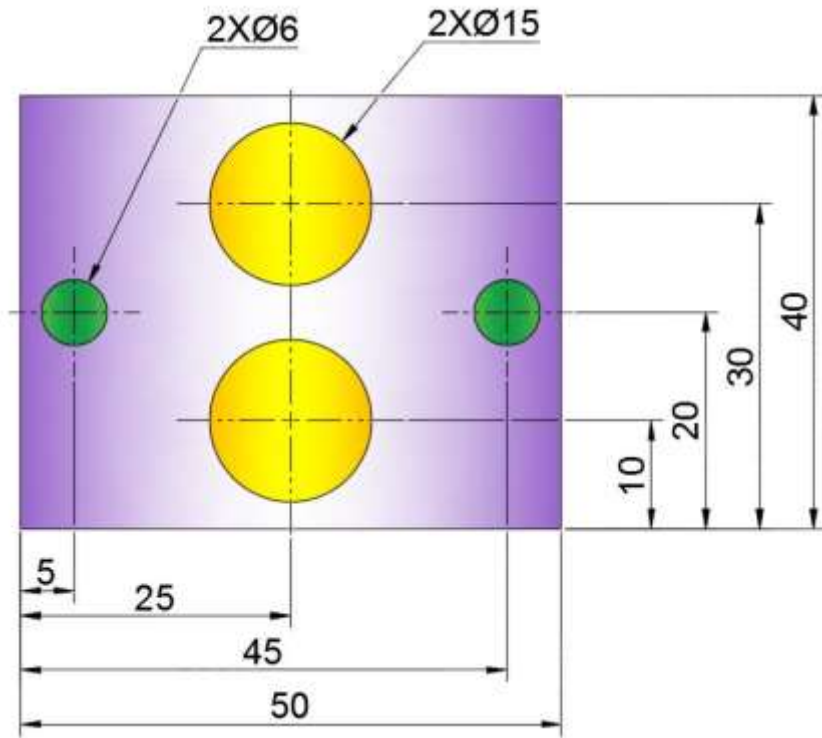
EX-13



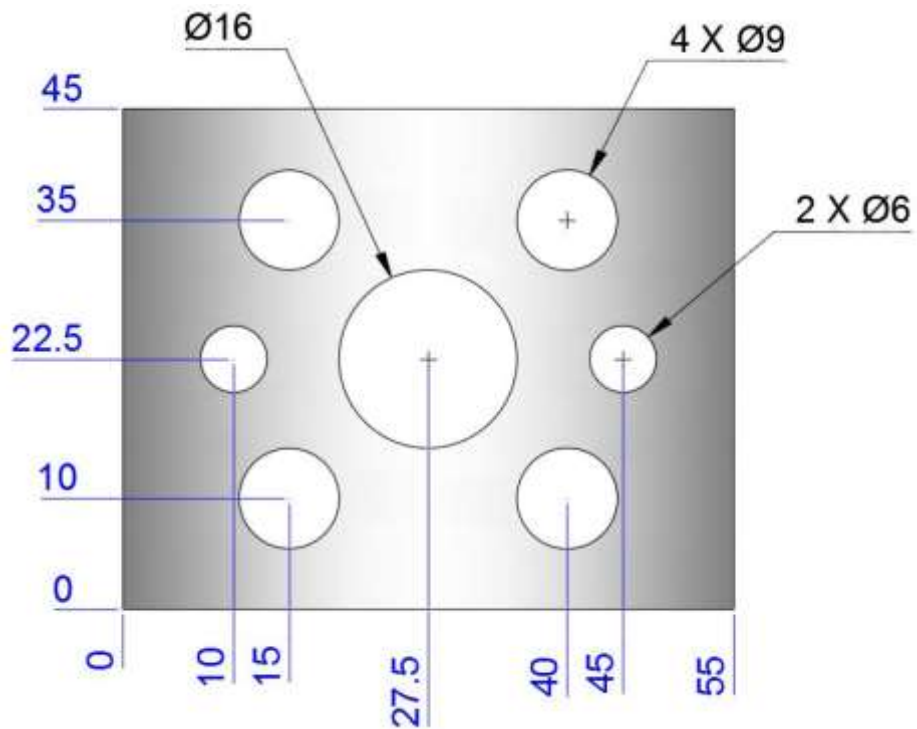
EX-14



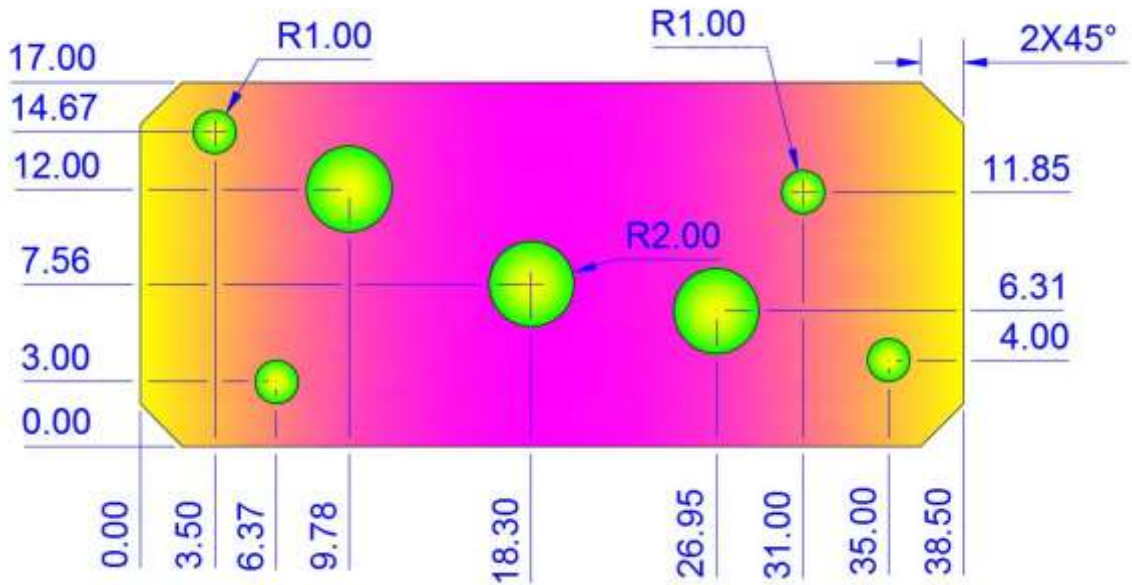
EX-15



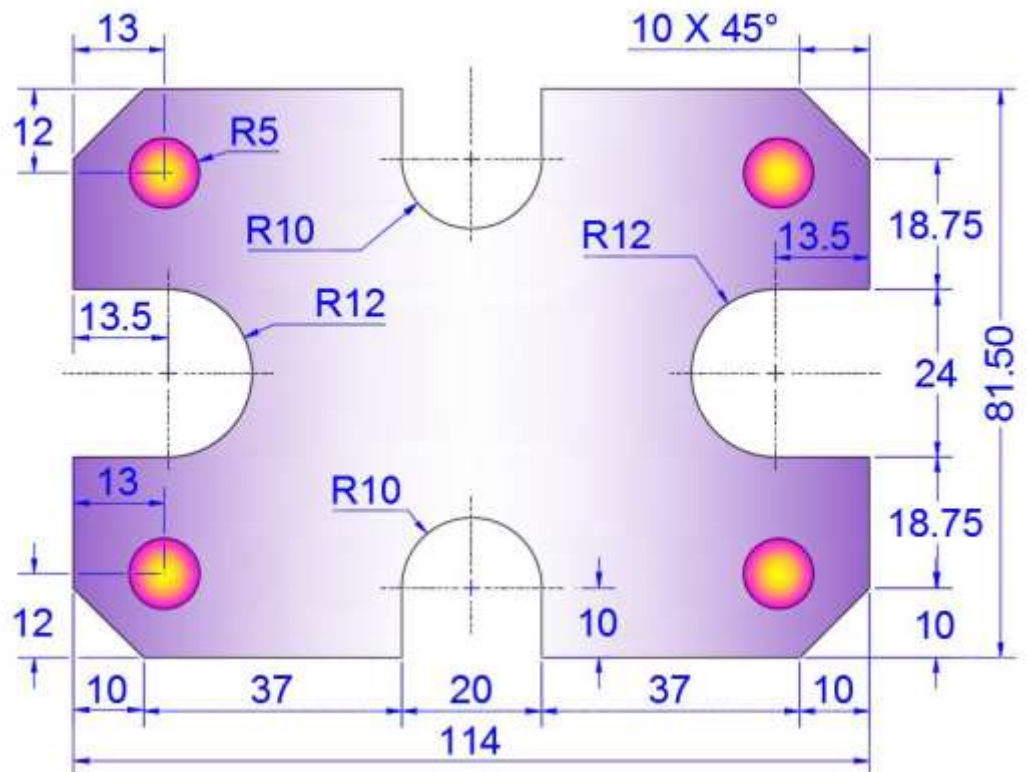
EX-16



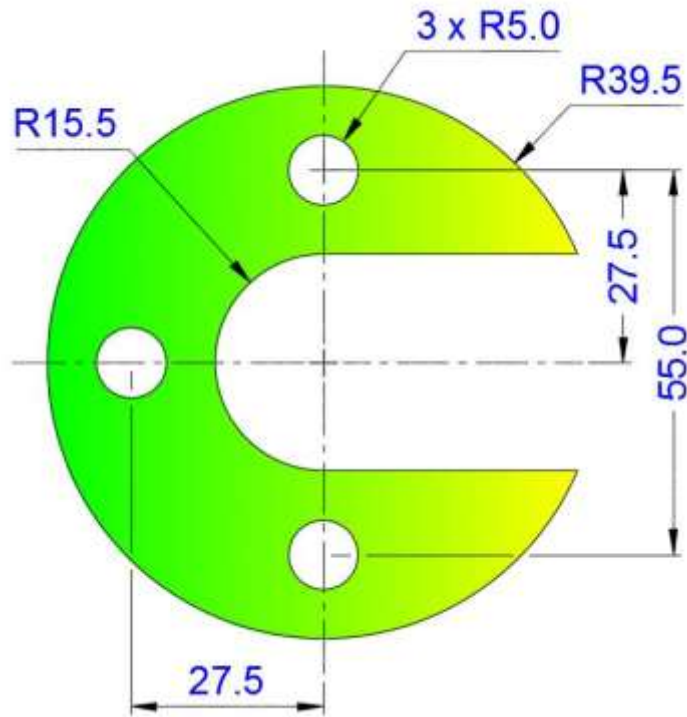
## EX-17



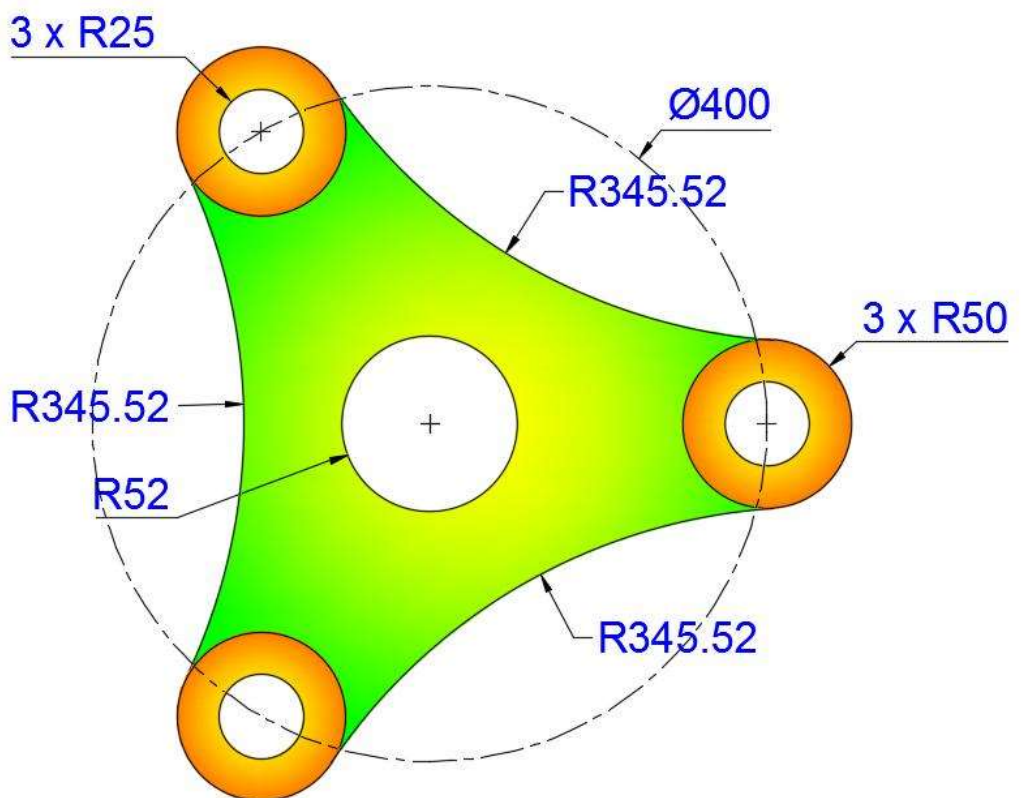
## EX-18



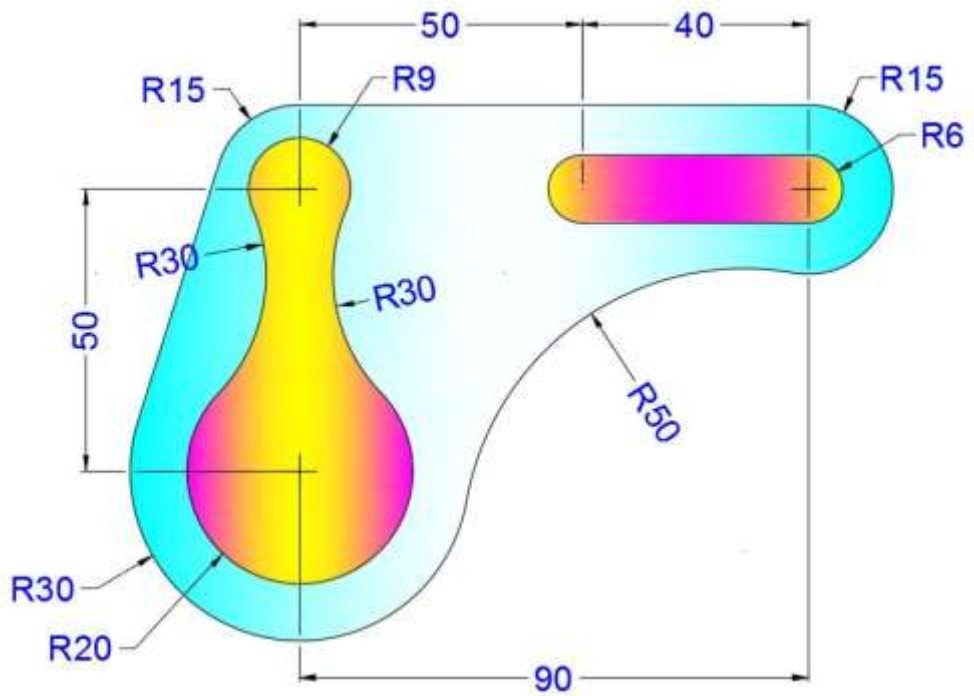
EX-19



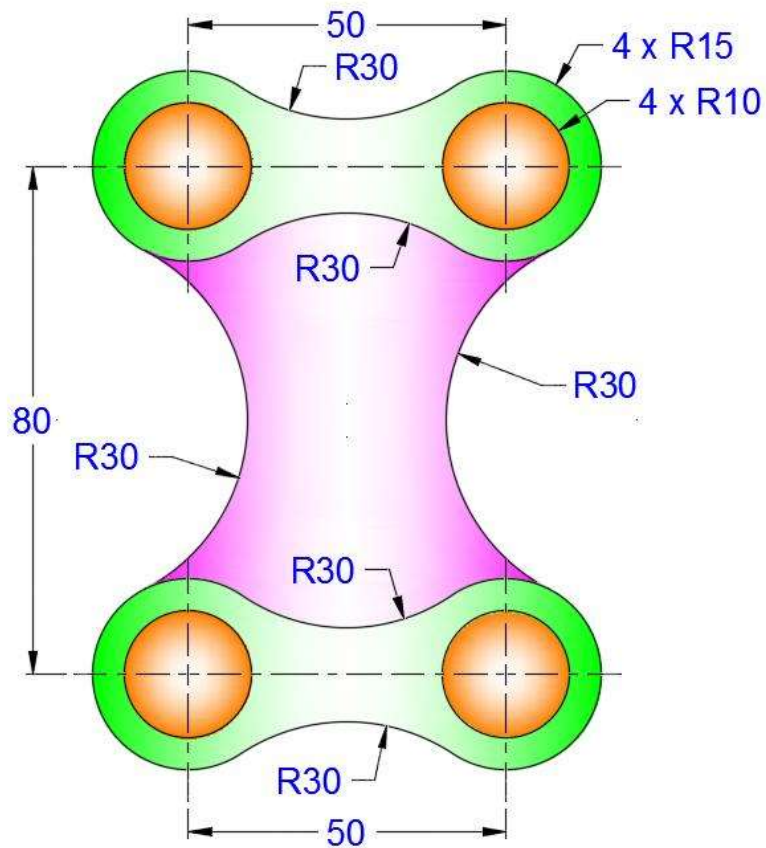
EX-20



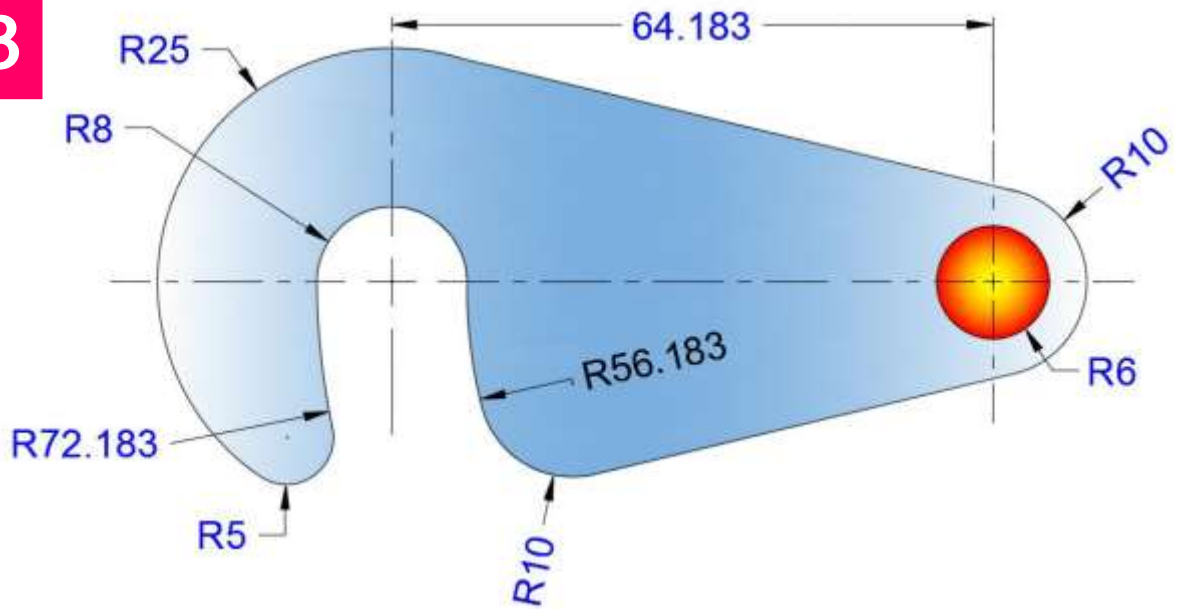
## EX-21



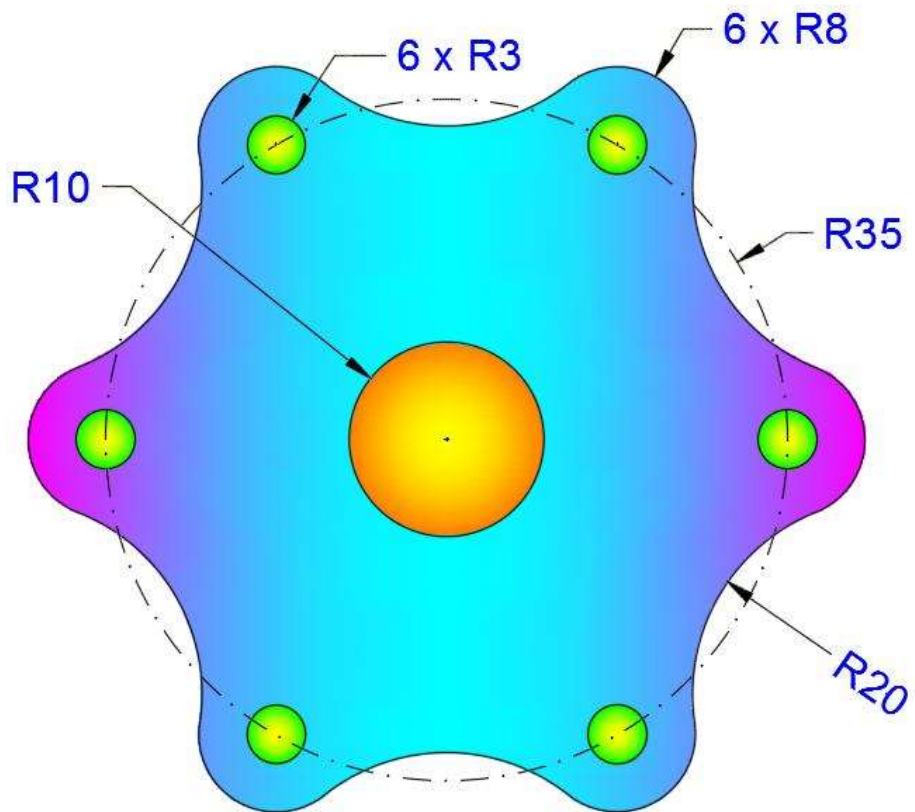
## EX-22



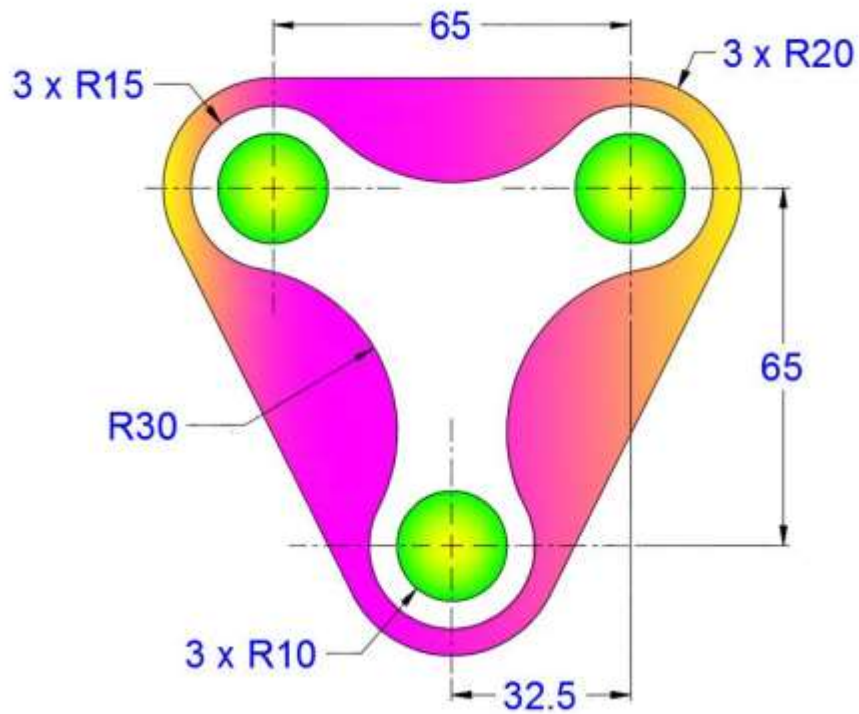
## EX-23



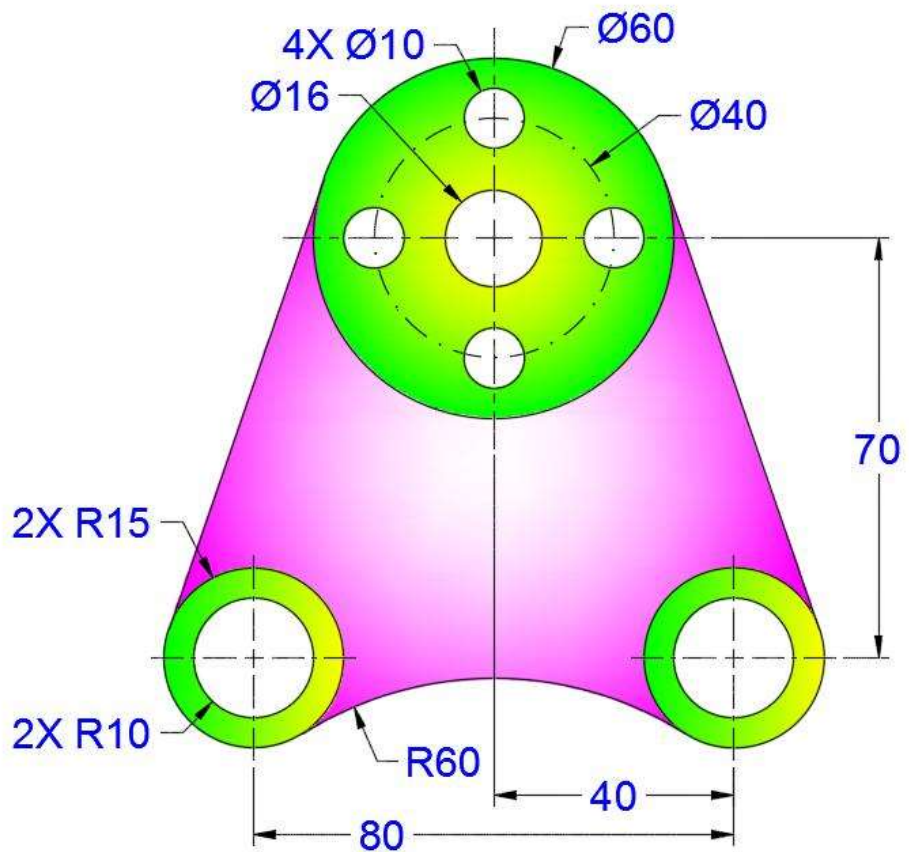
## EX-24



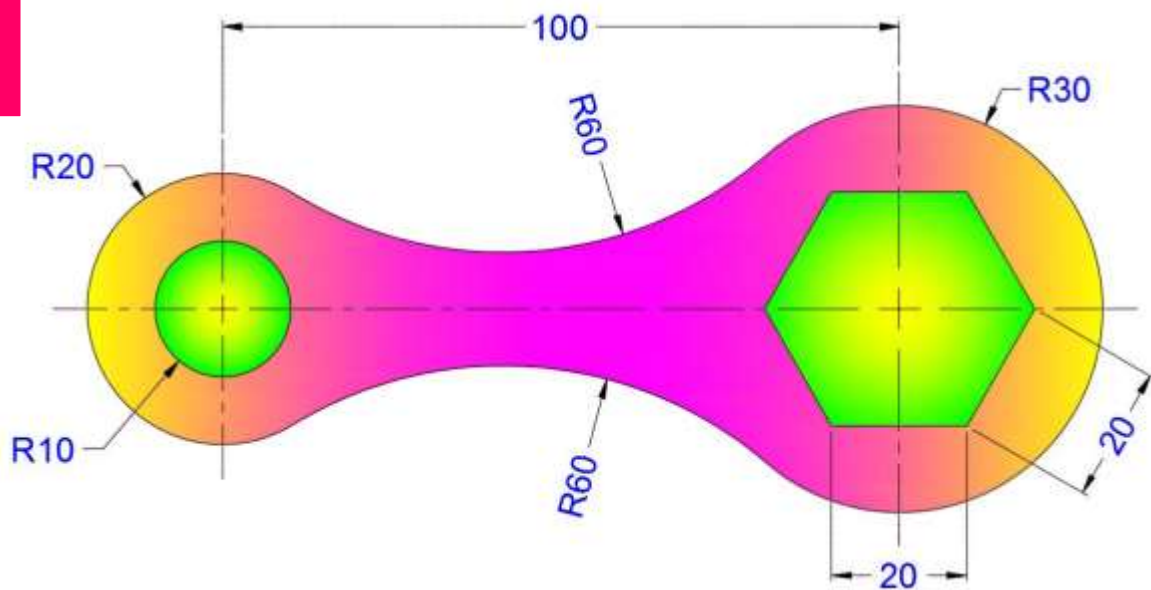
EX-25



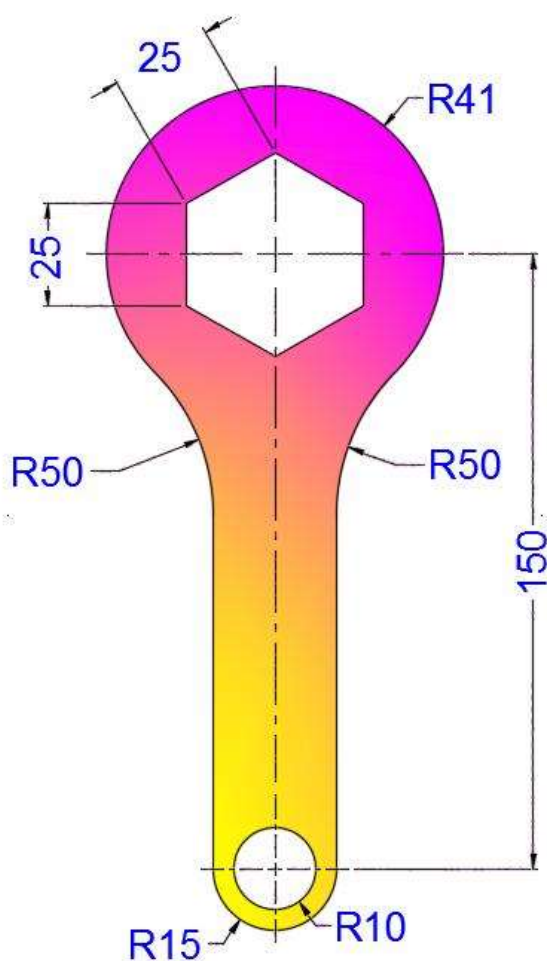
EX-26



EX-27

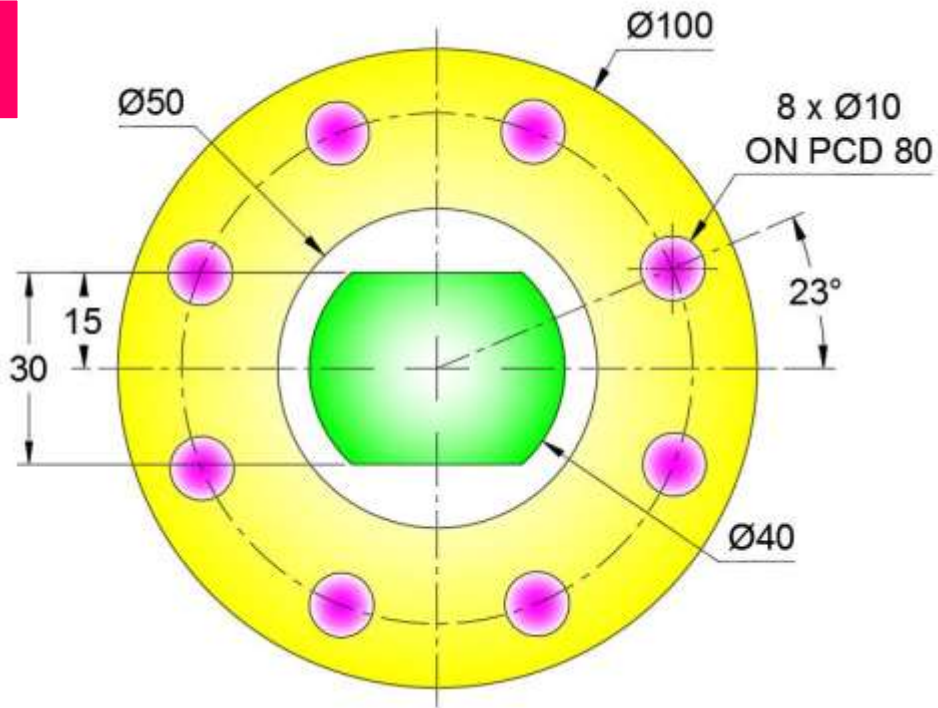


EX-28

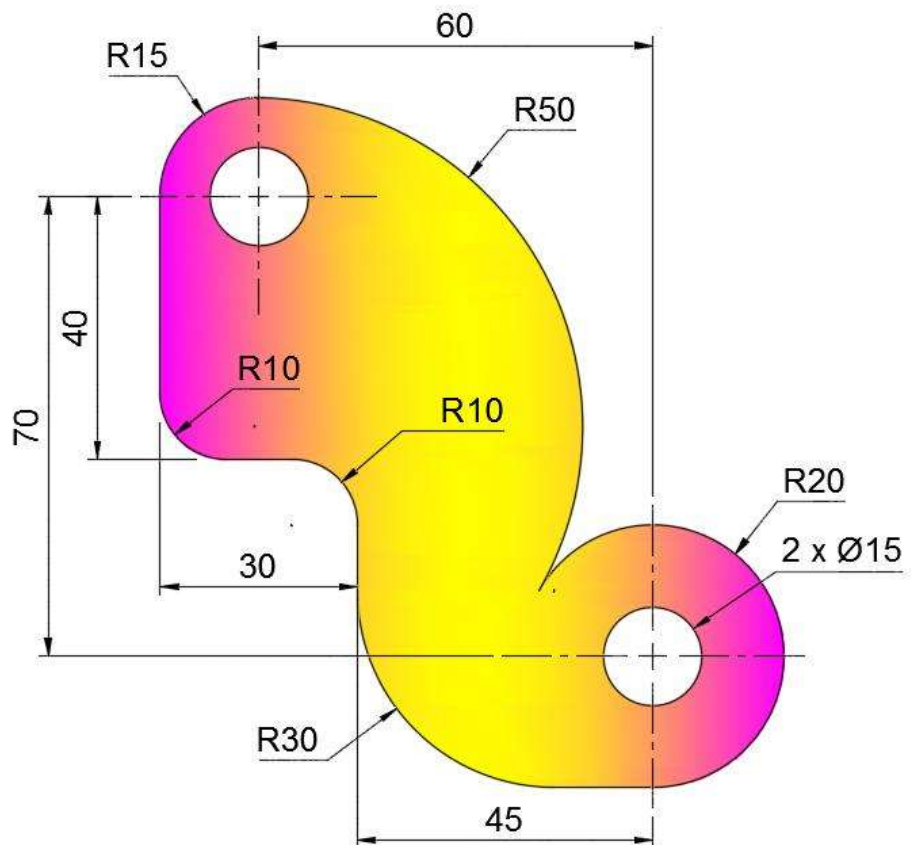




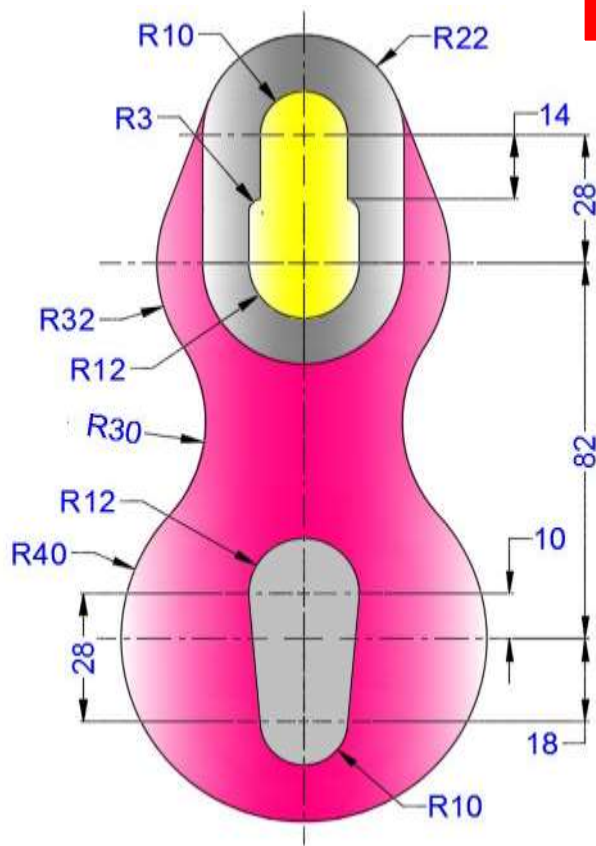
EX-31



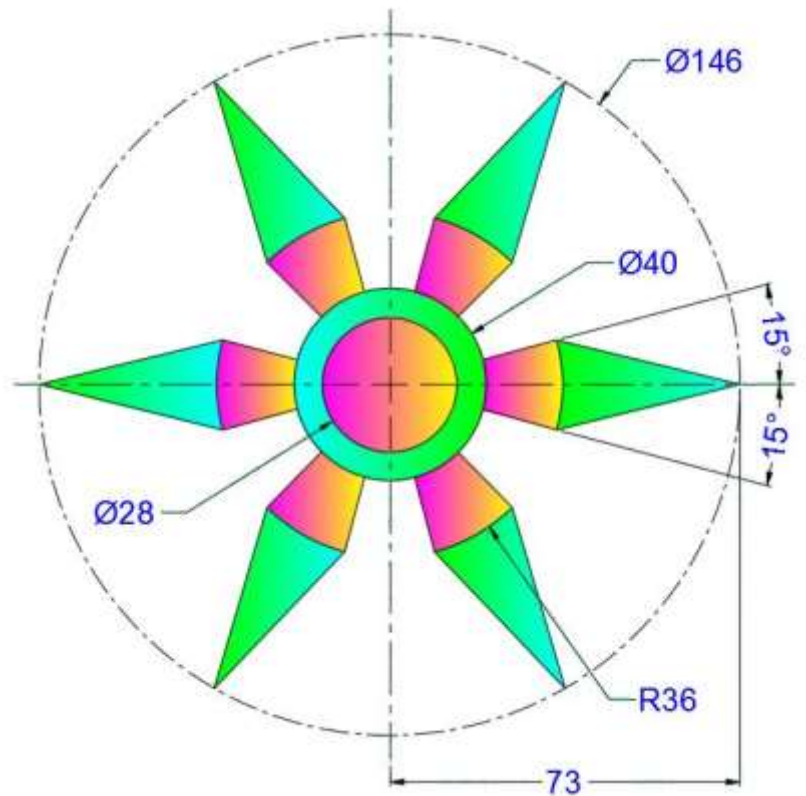
EX-32



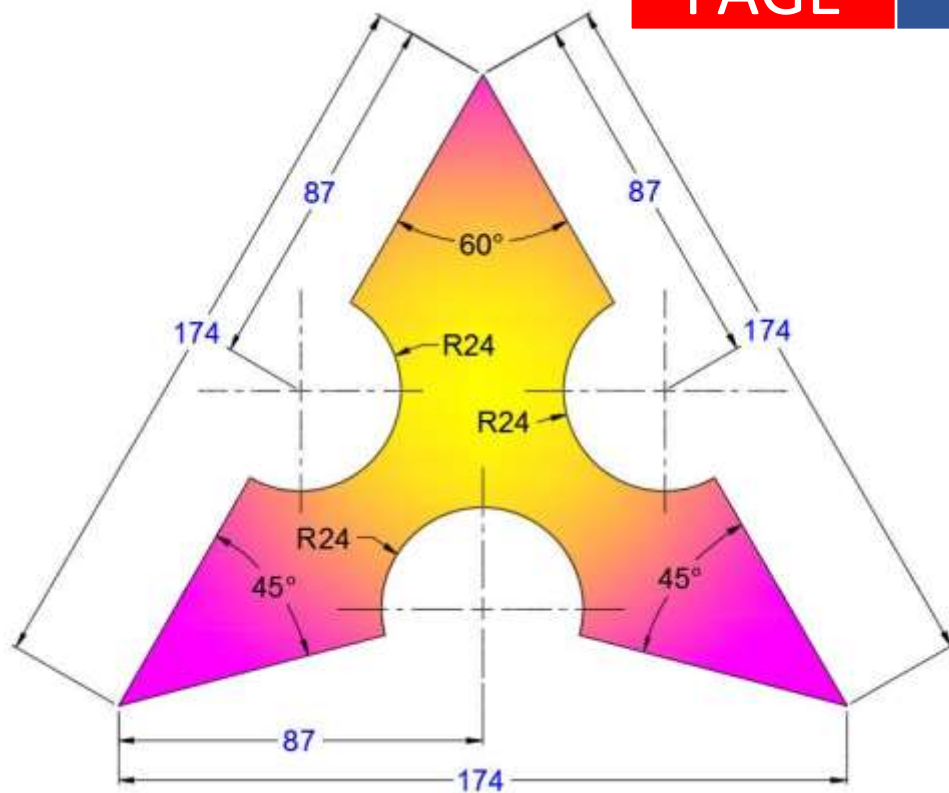
EX-33



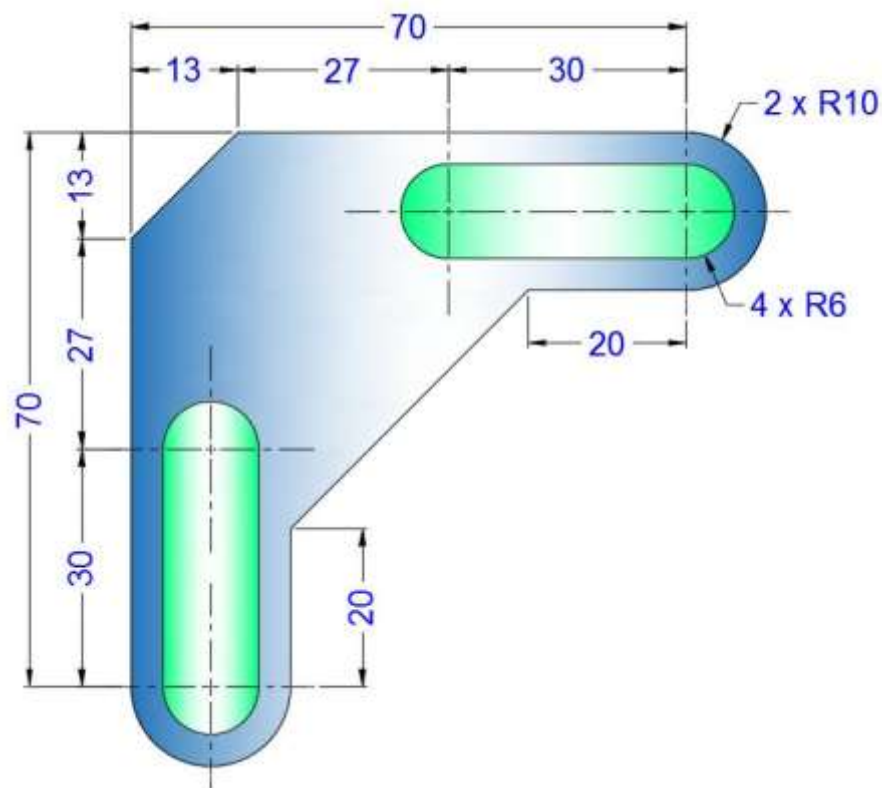
EX-34



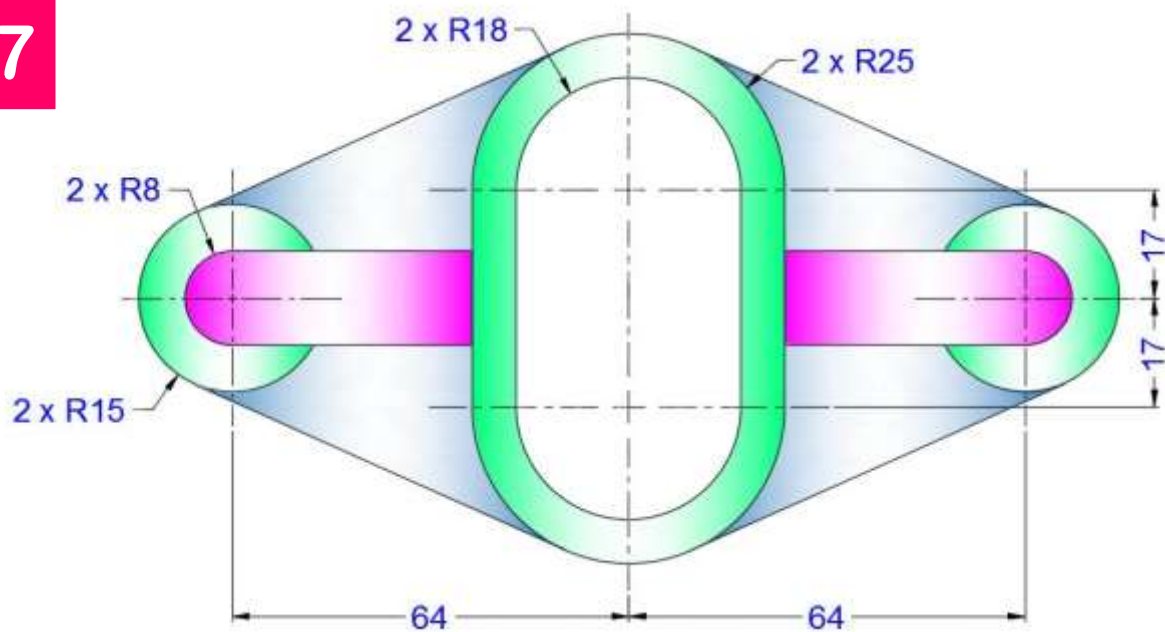
EX-35



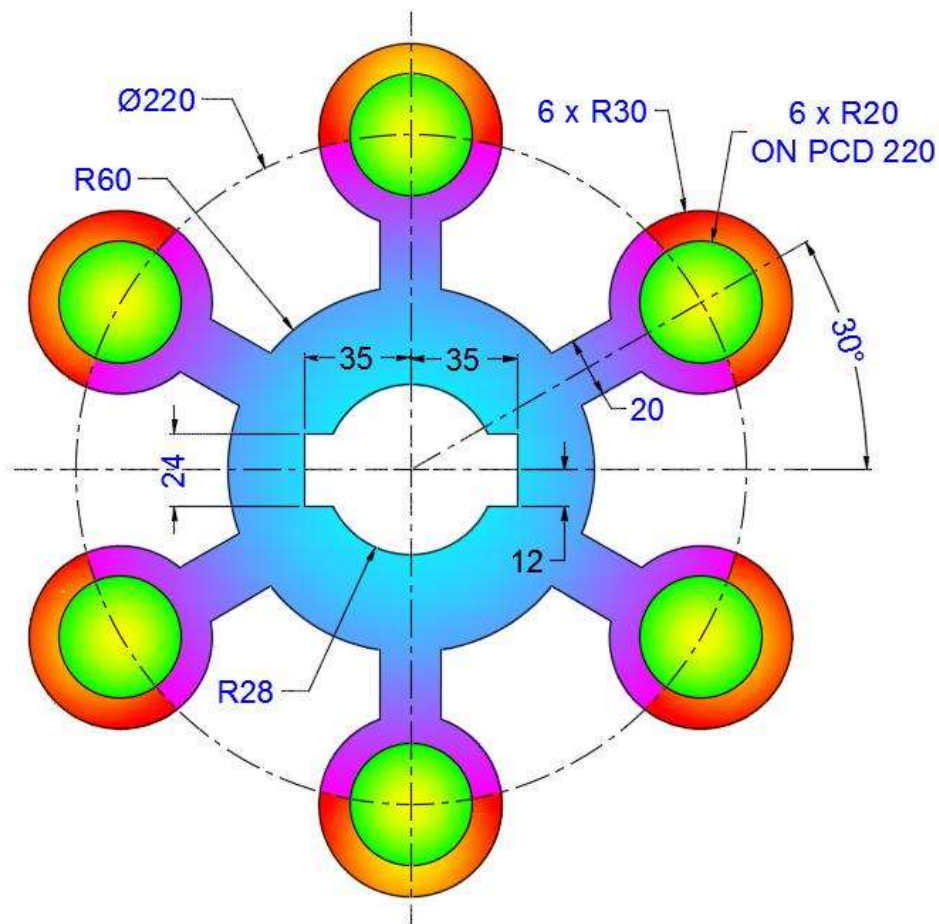
EX-36



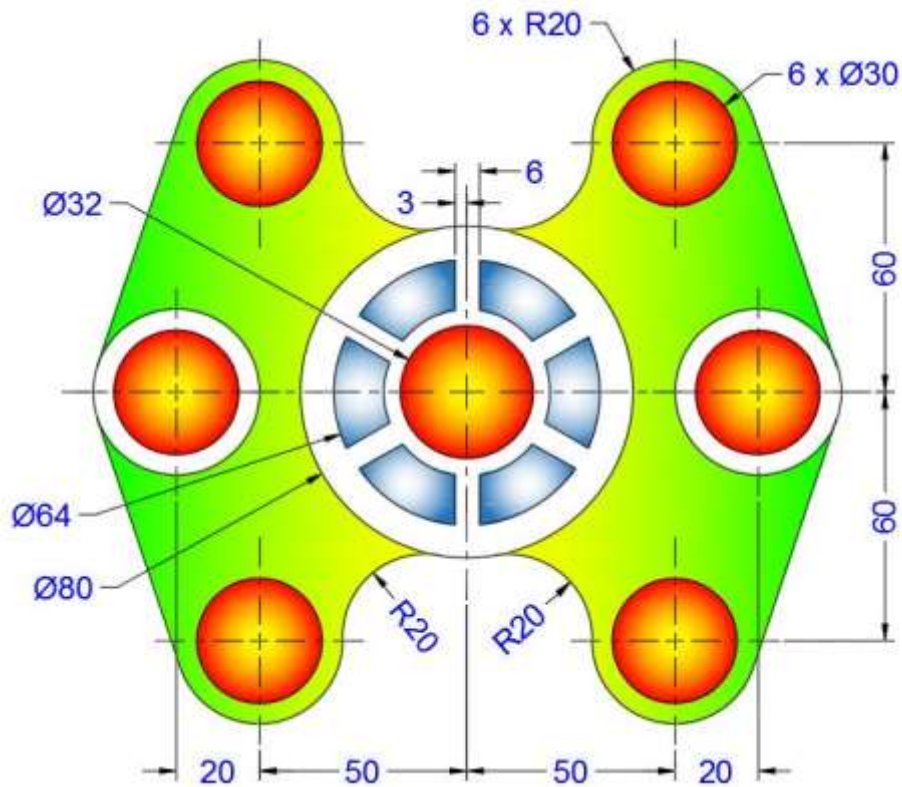
EX-37



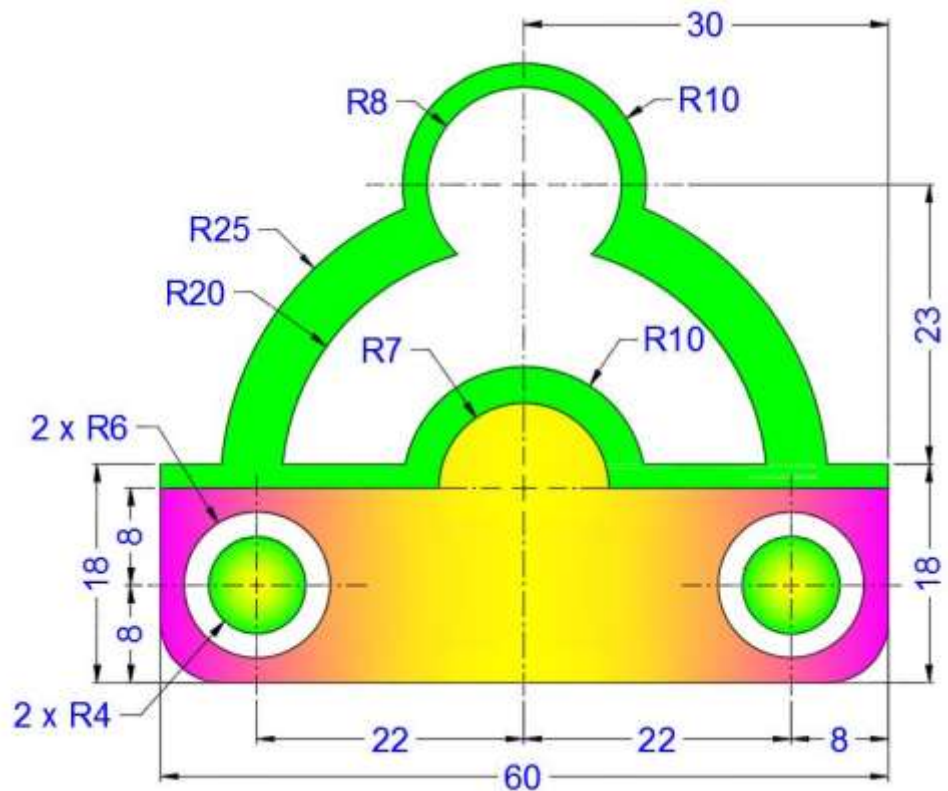
EX-38



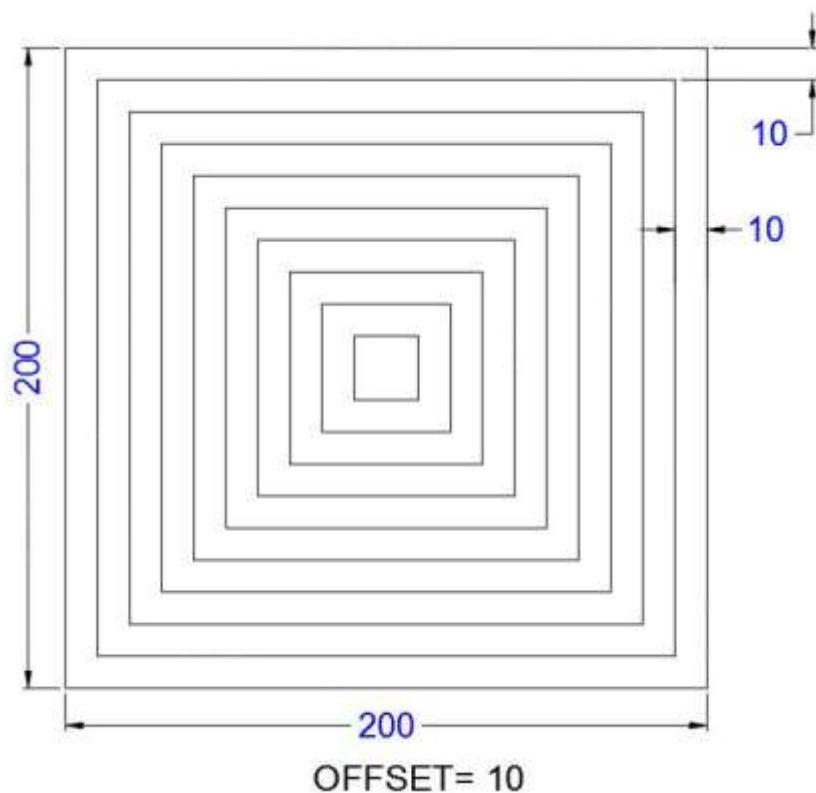
EX-39



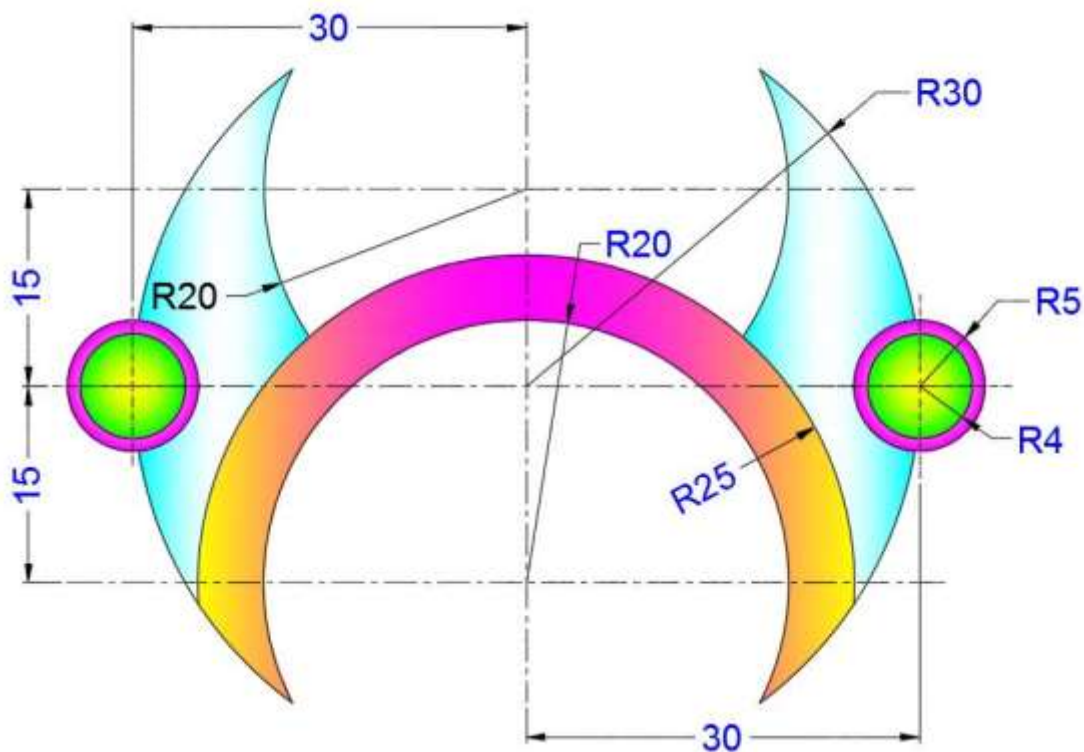
EX-40



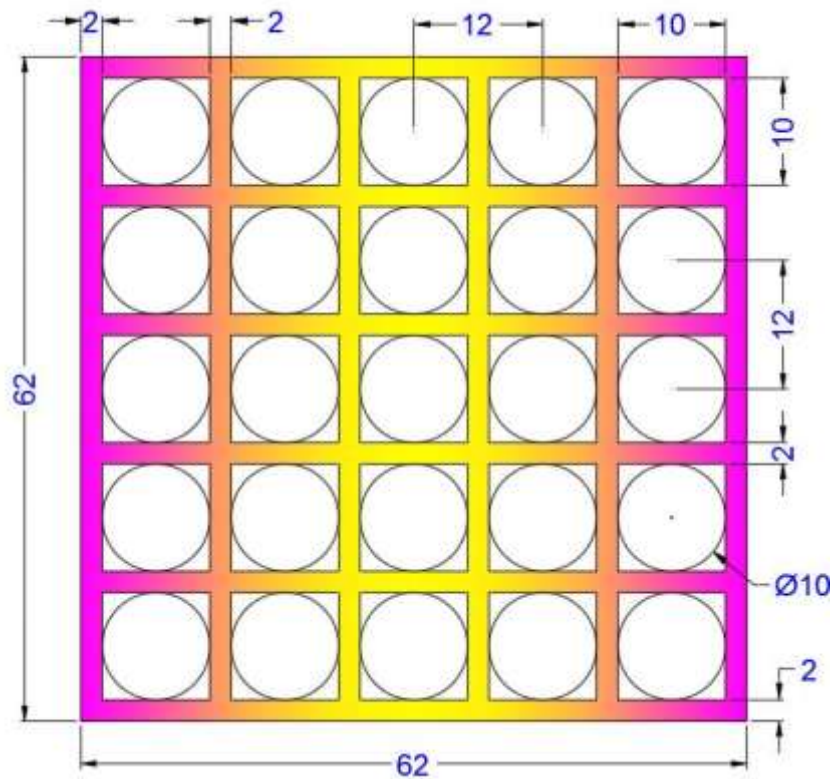
EX-41



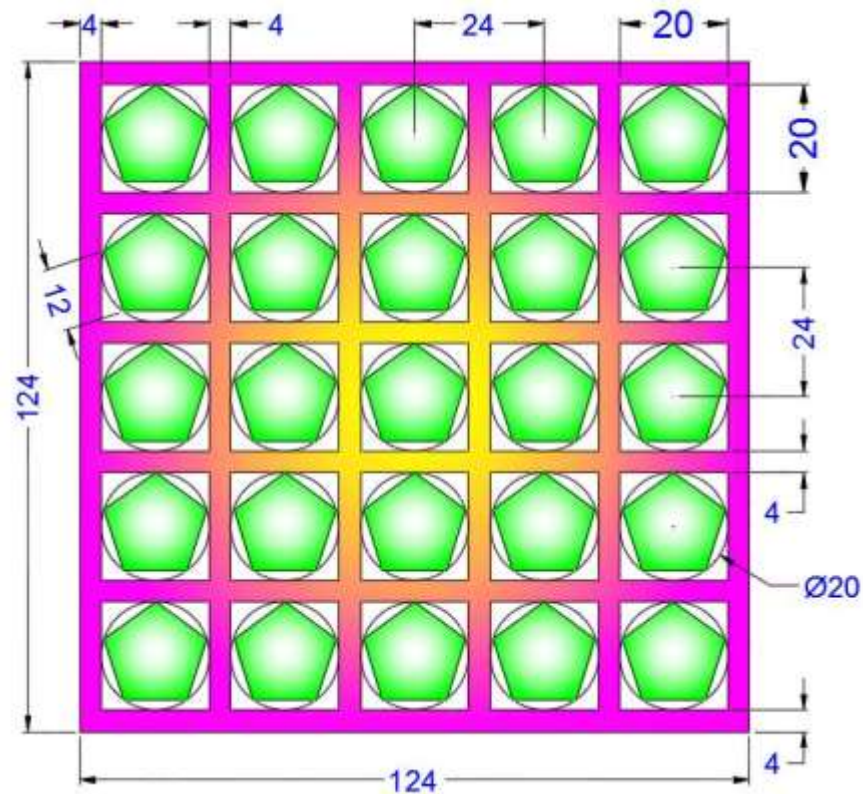
EX-42



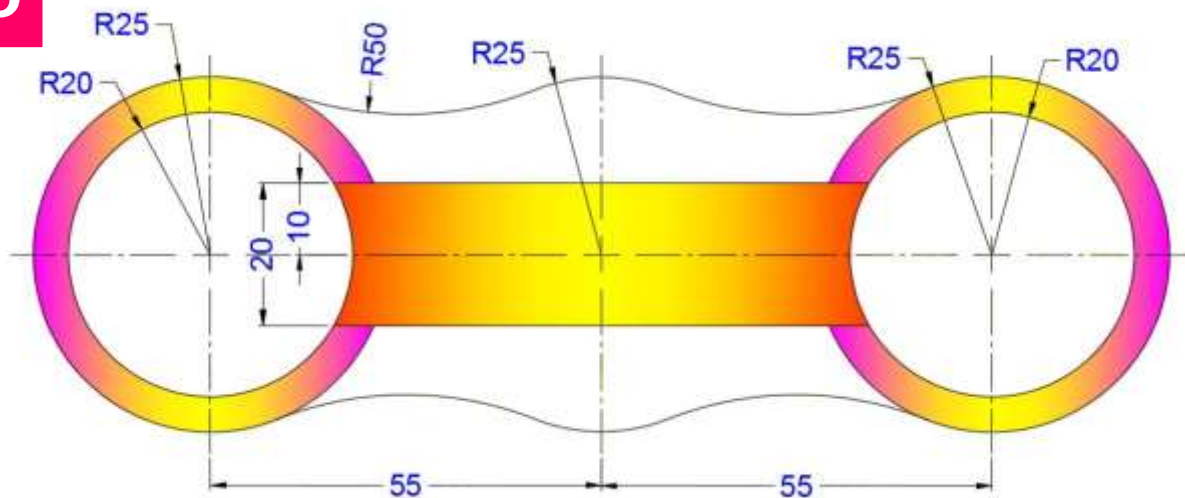
EX-43



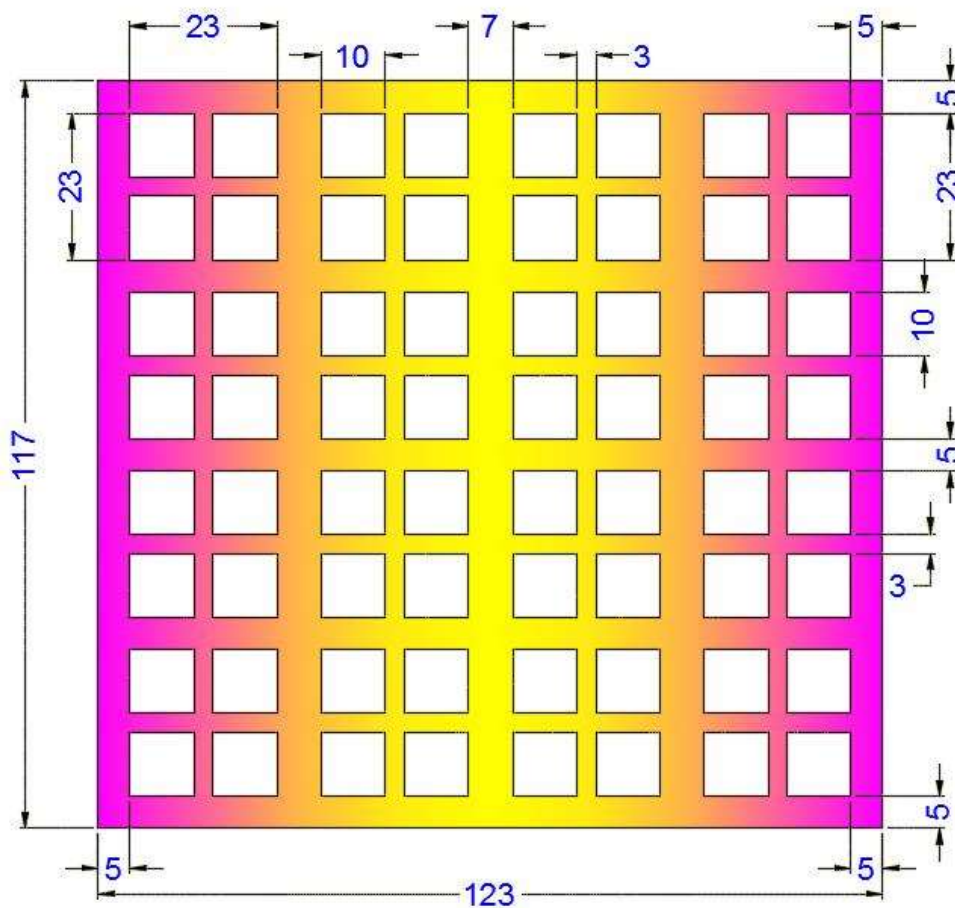
EX-44



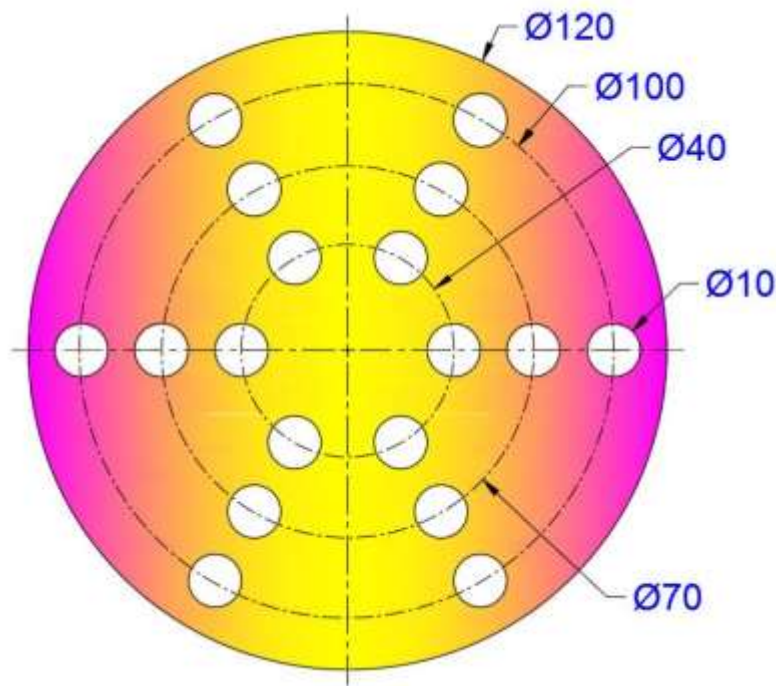
EX-45



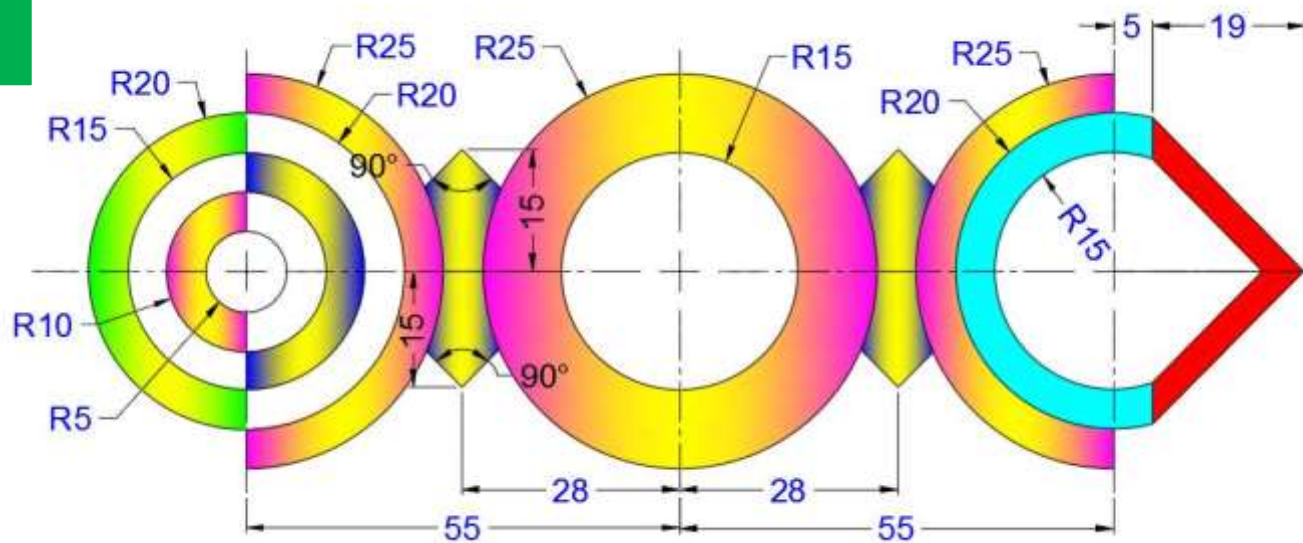
EX-46



EX-47

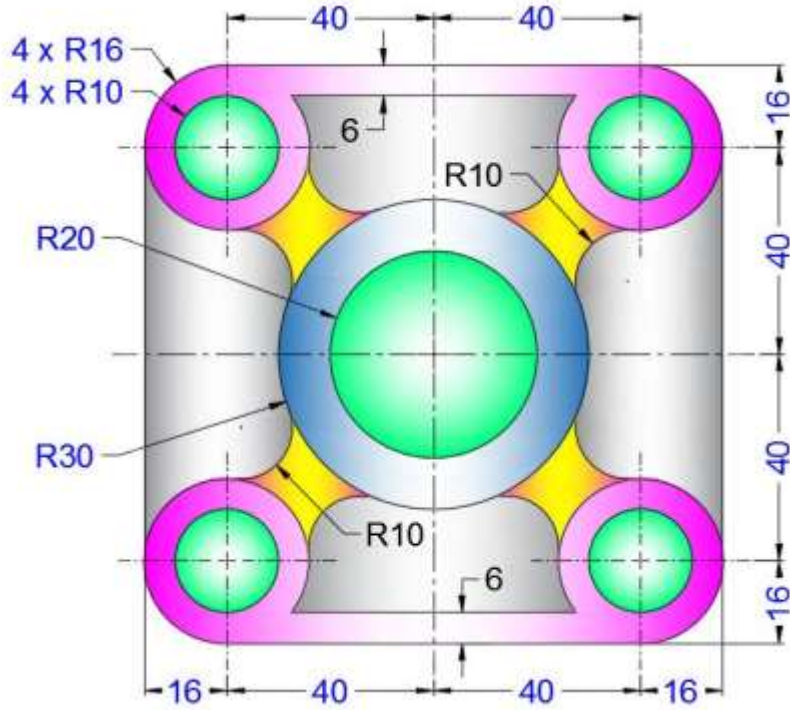


EX-48

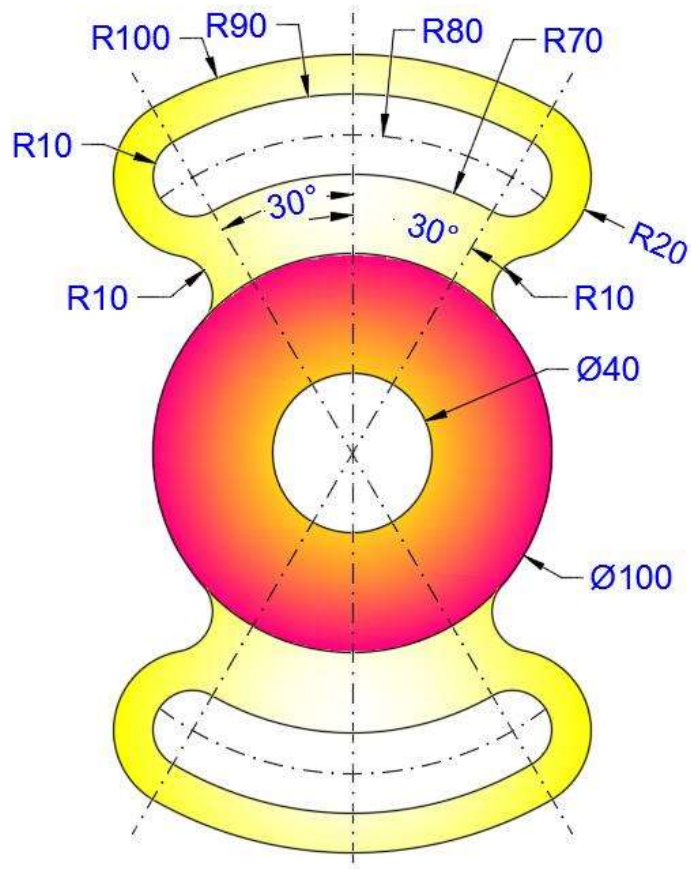




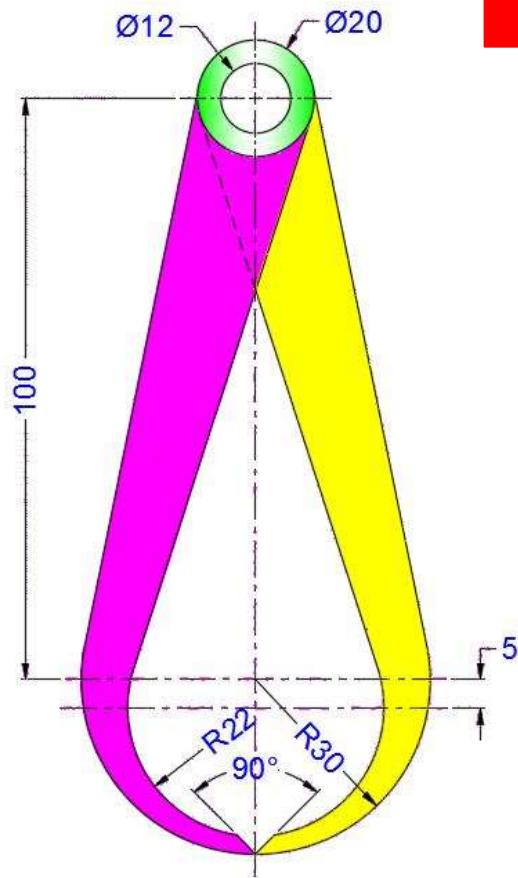
EX-51



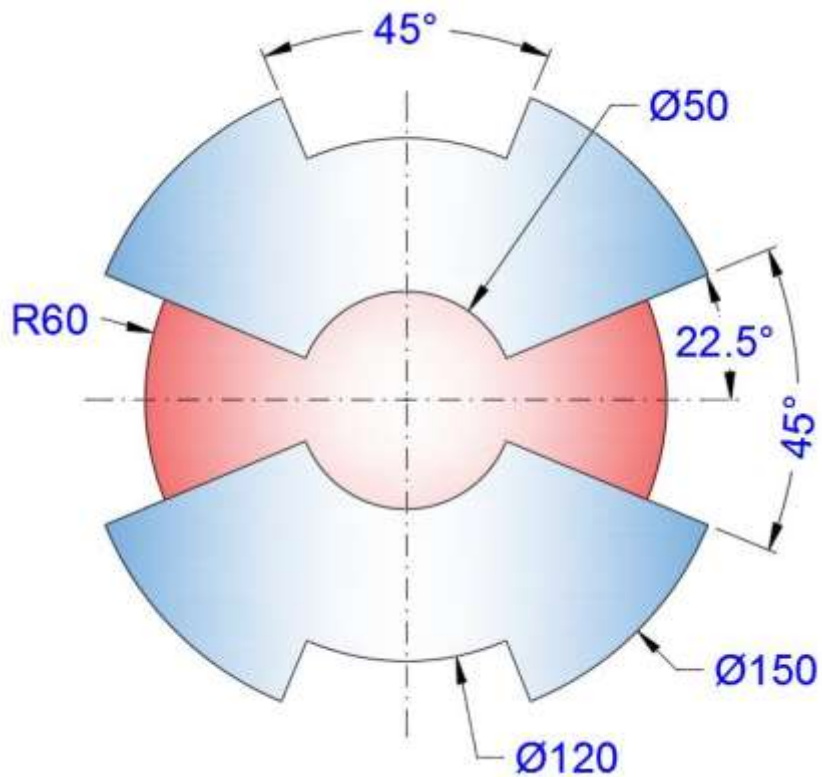
EX-52



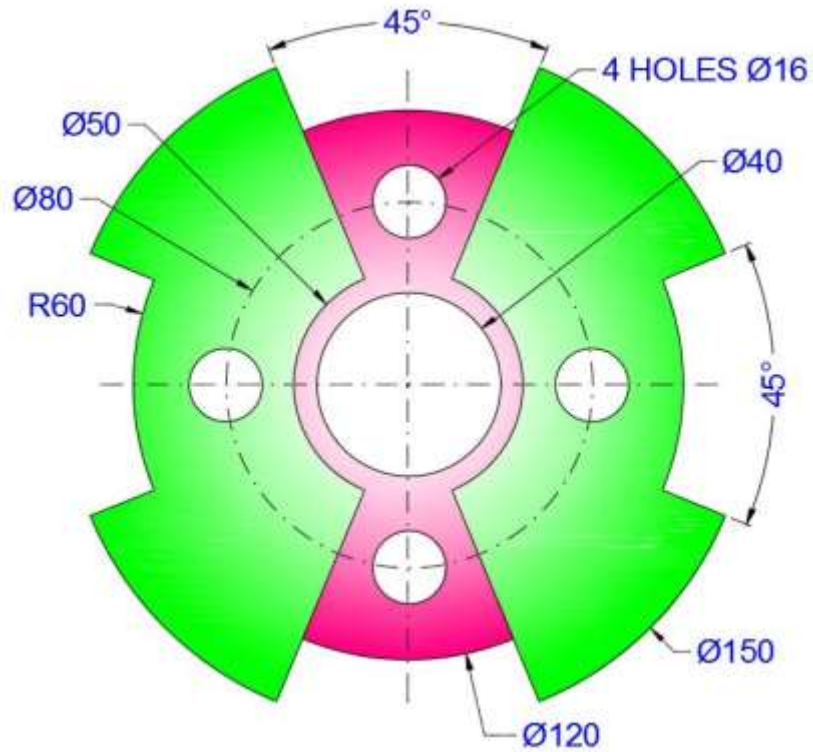
EX-53



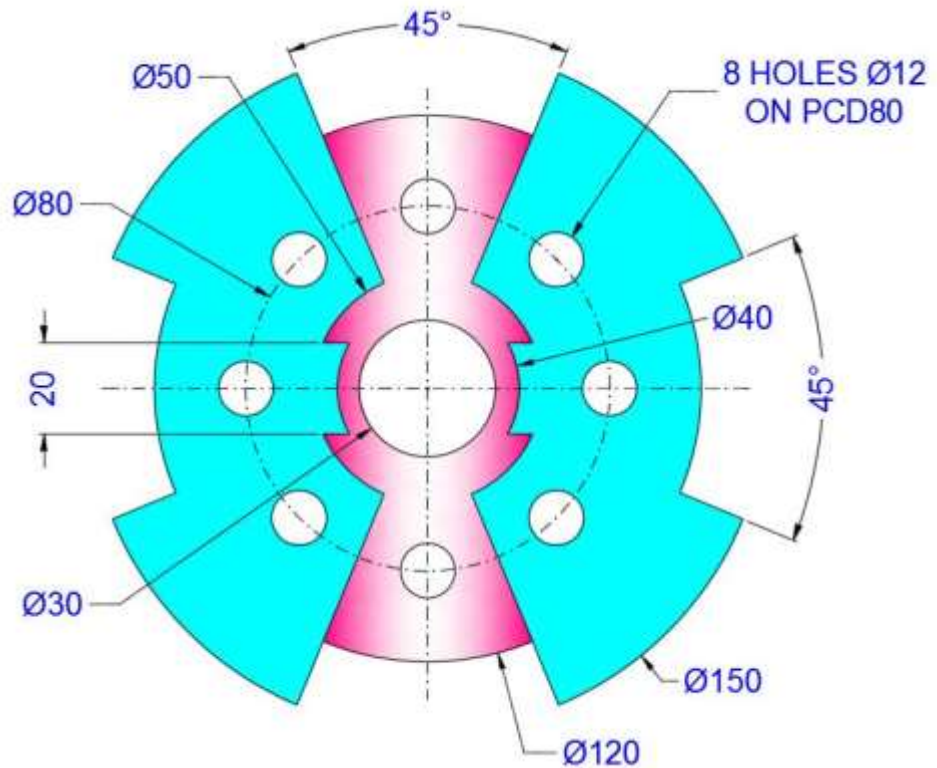
EX-54



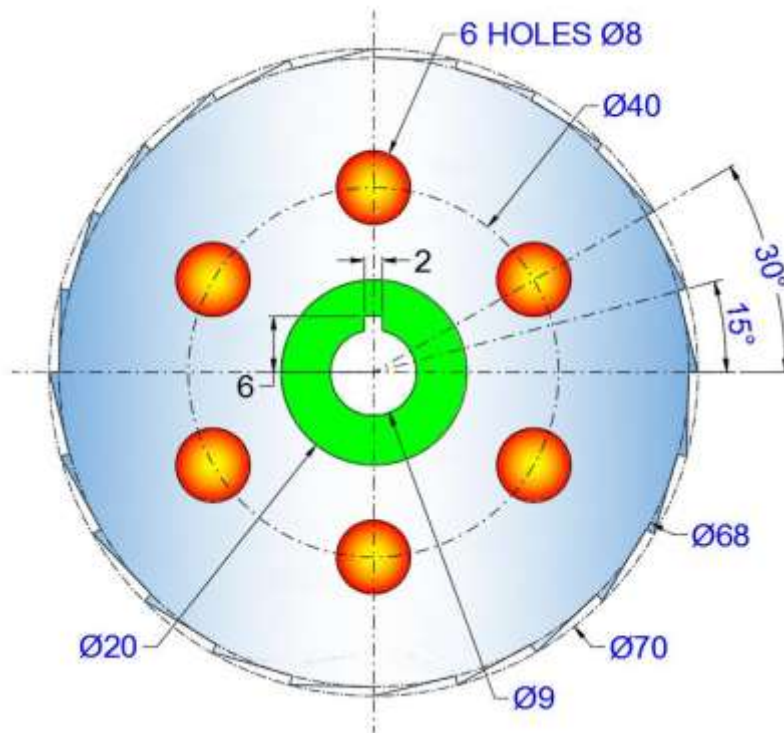
EX-55



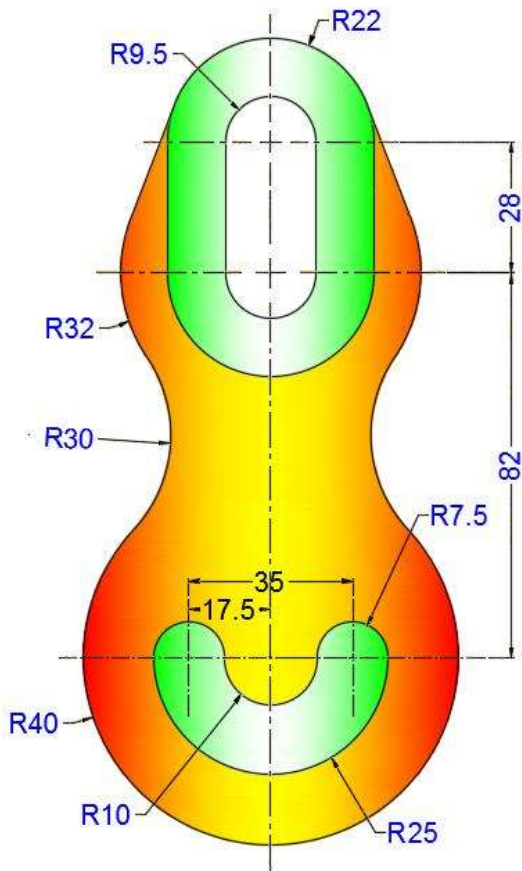
EX-56



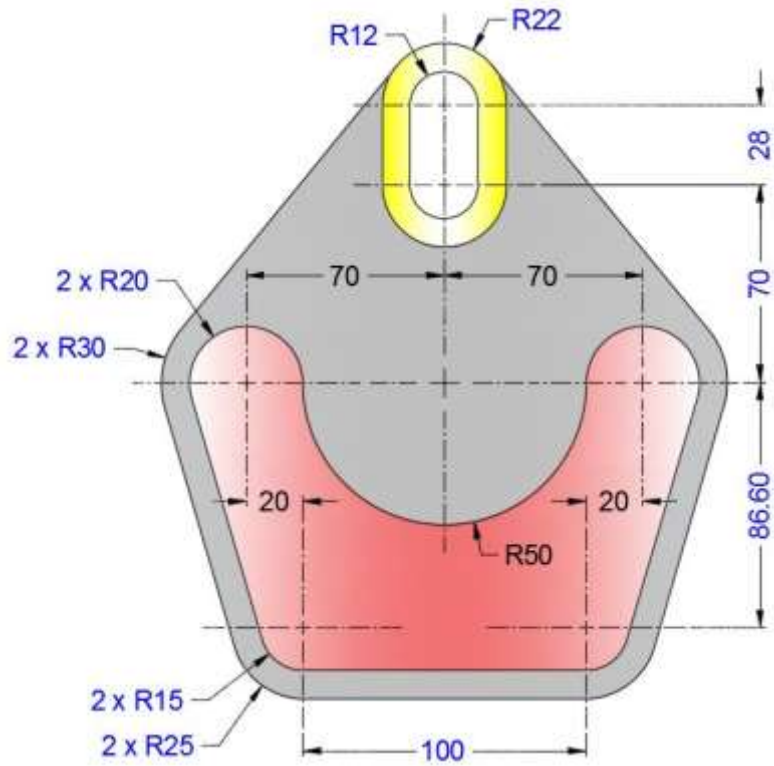
EX-57



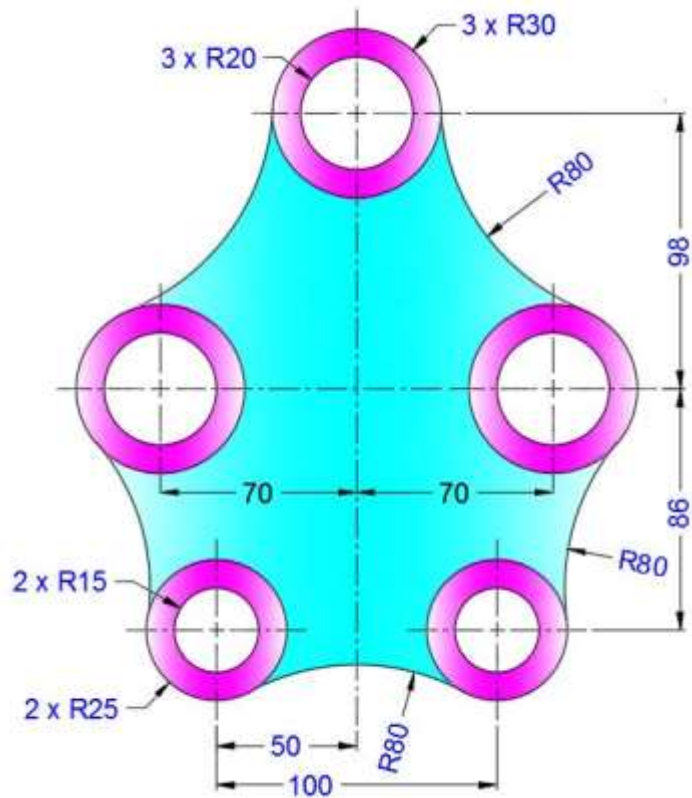
EX-58



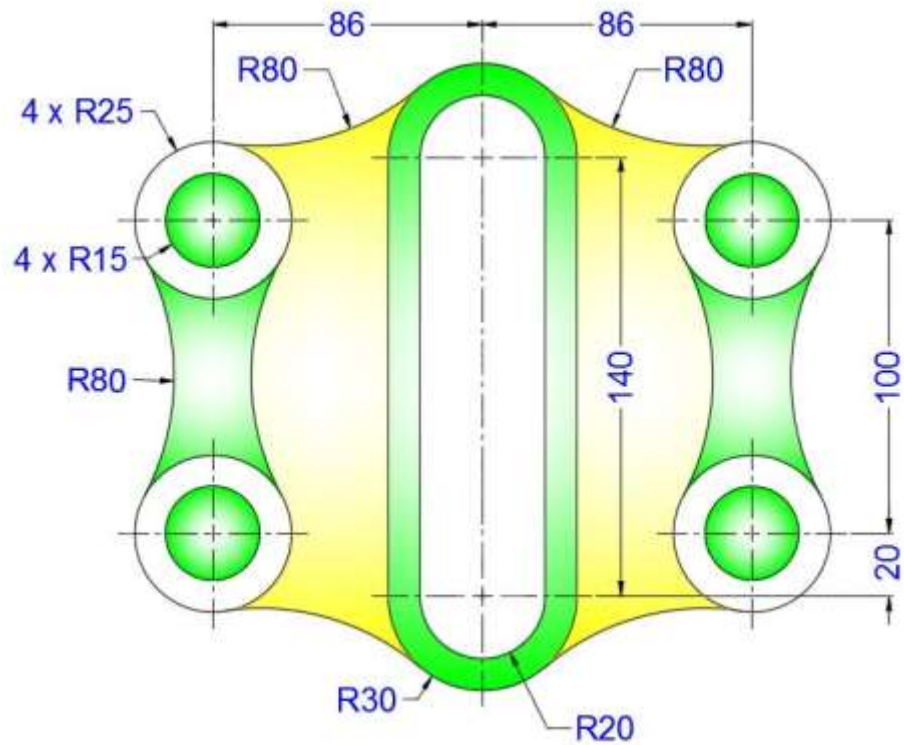
EX-59



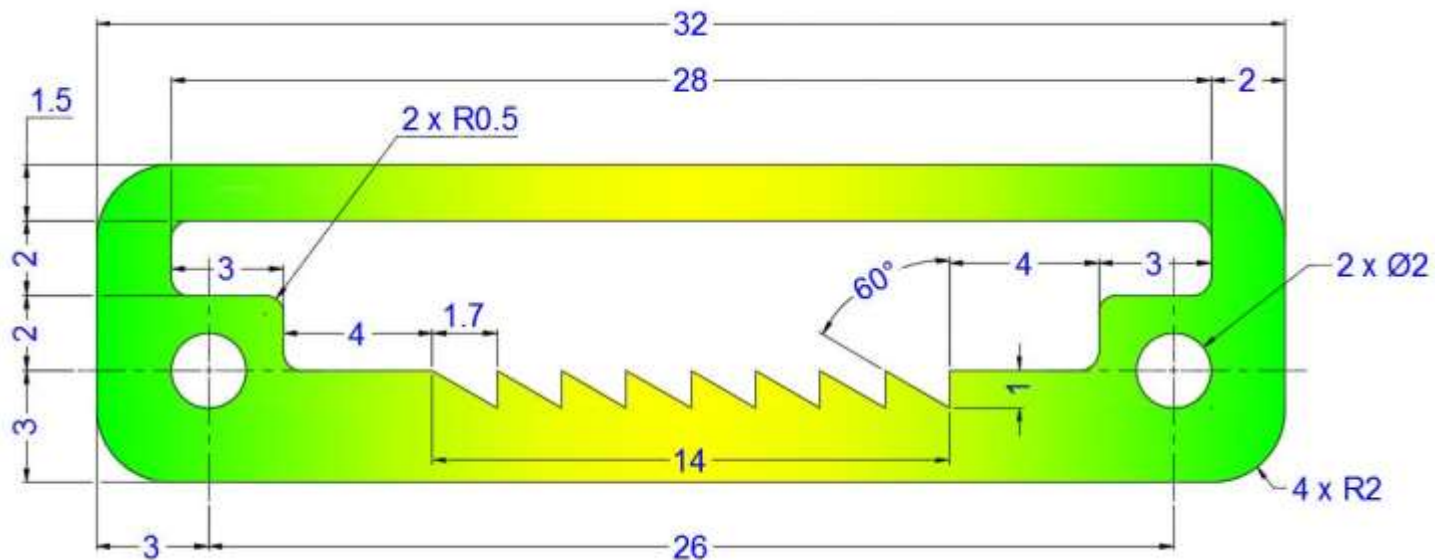
EX-60



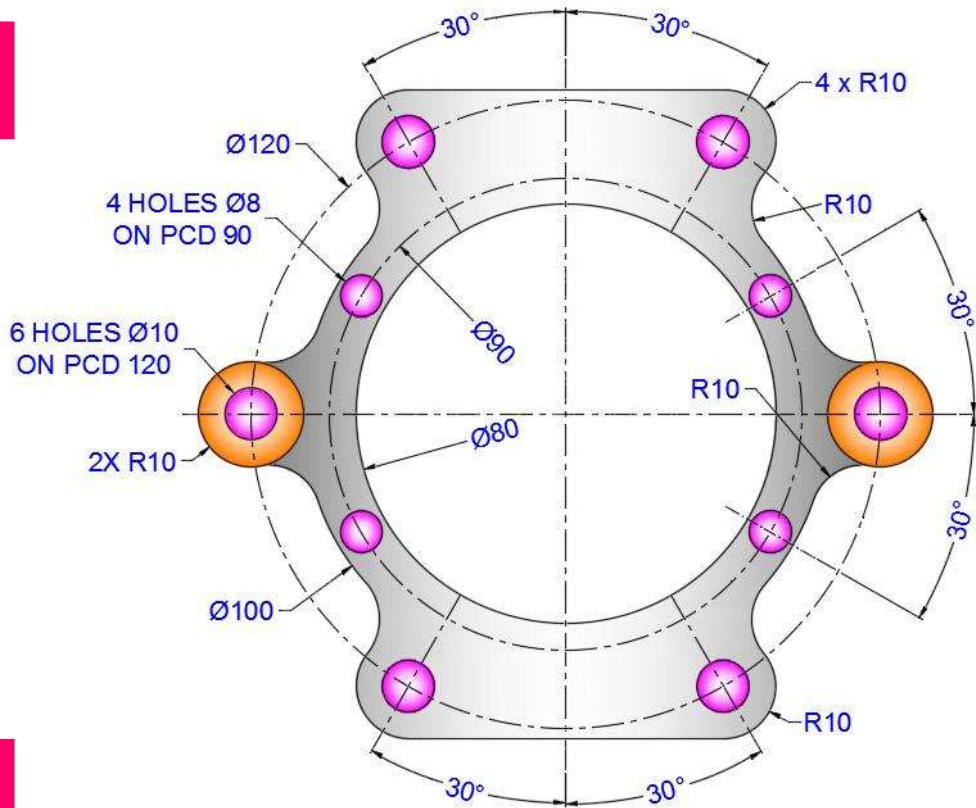
EX-61



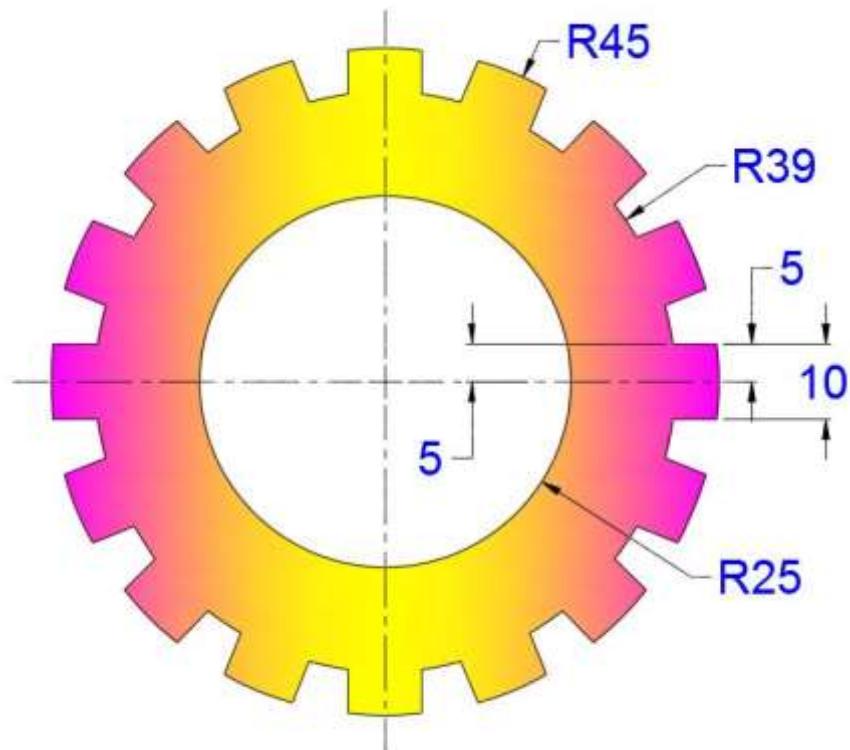
EX-62



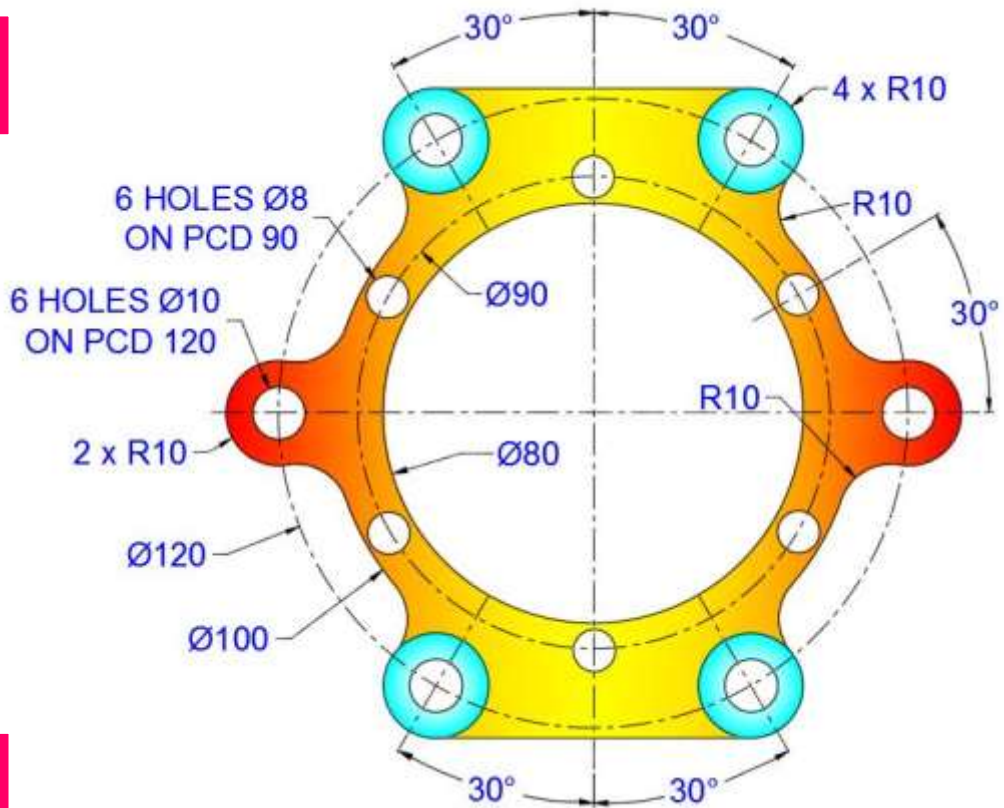
EX-63



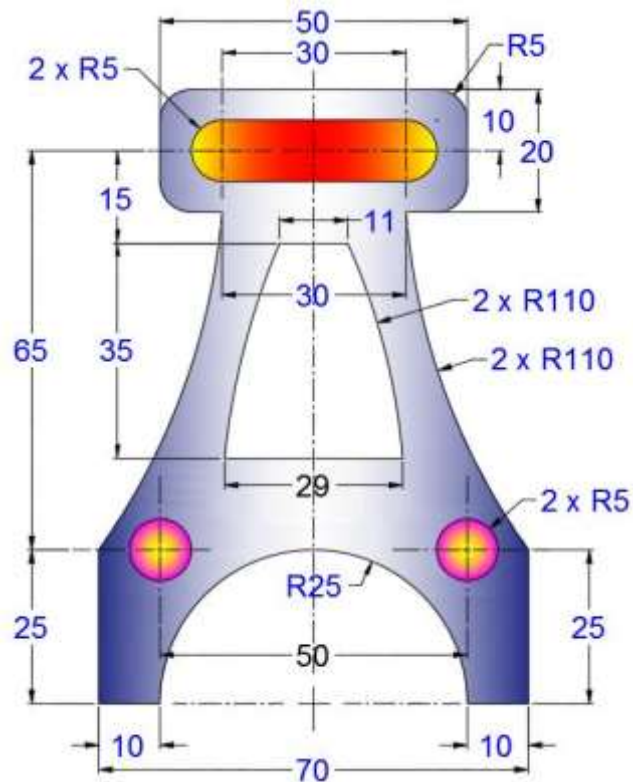
EX-64



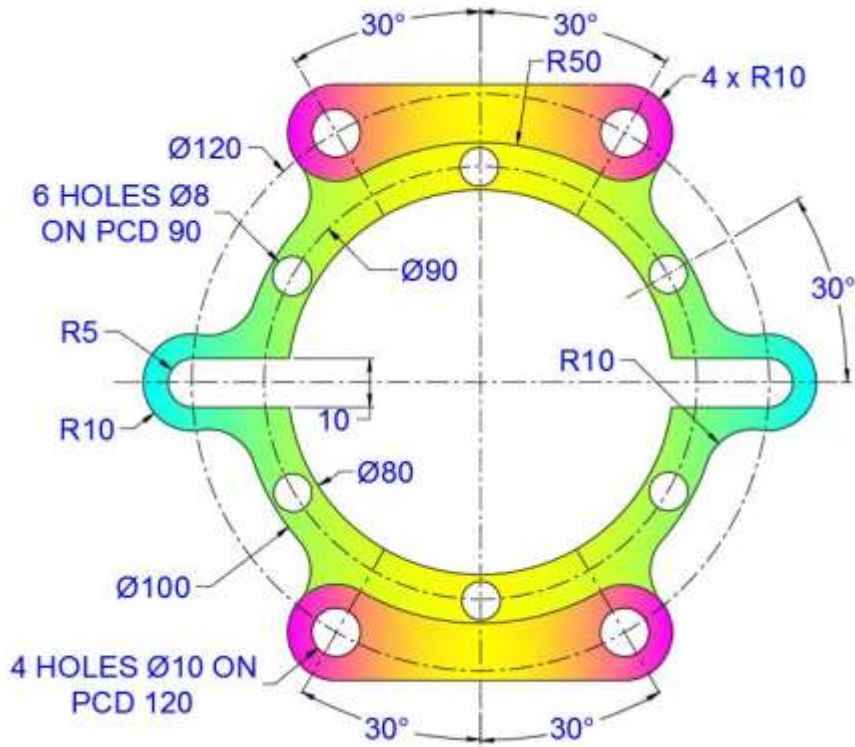
EX-65



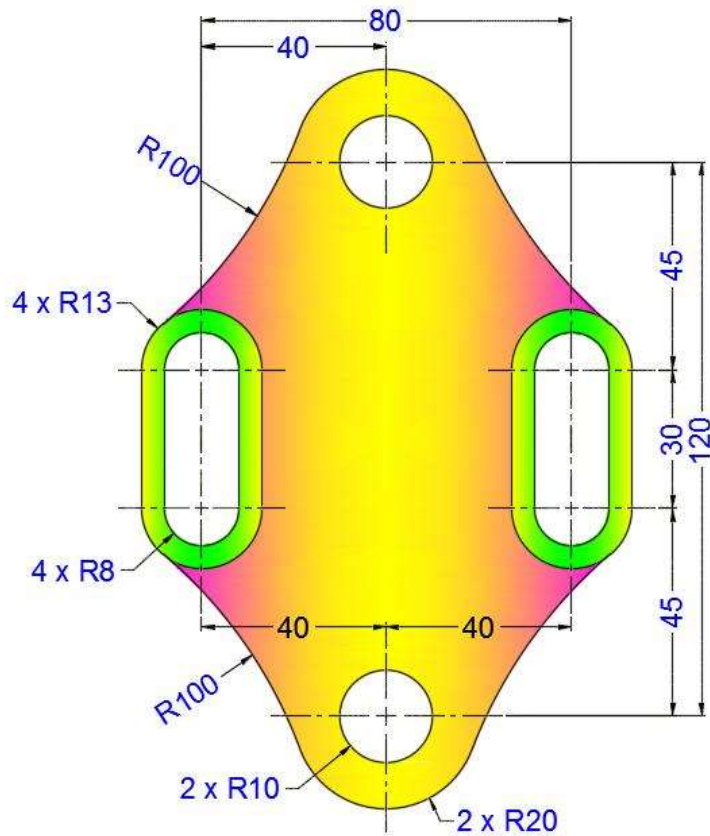
EX-66



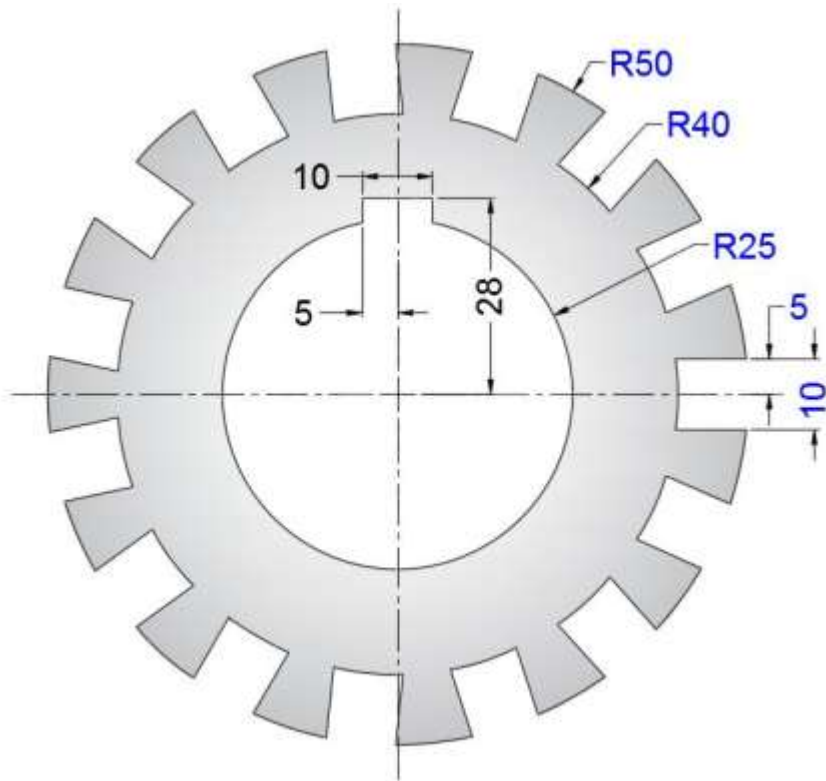
EX-67



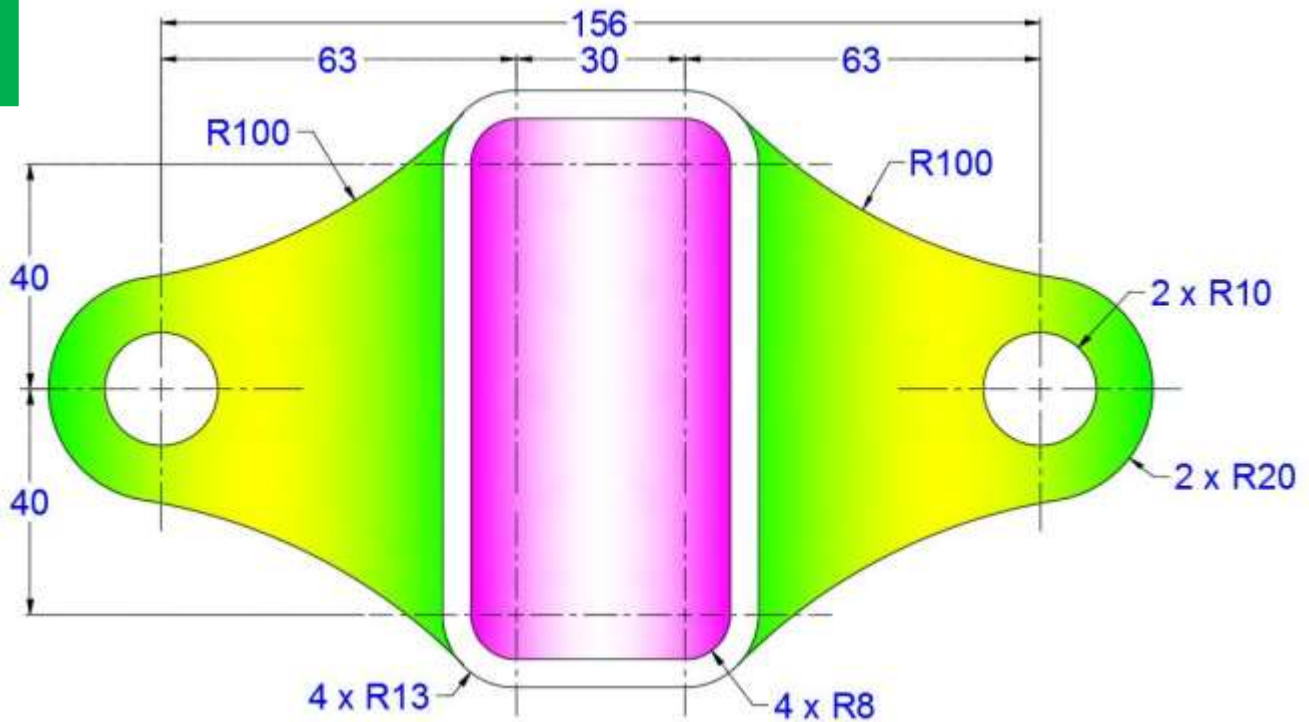
EX-68



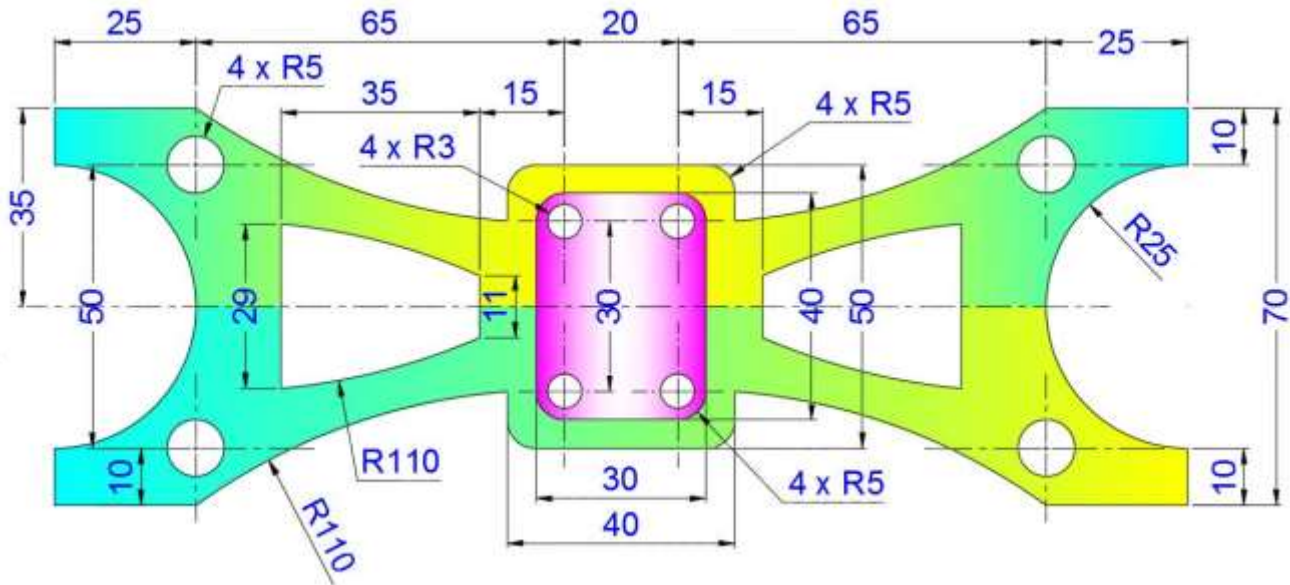
EX-69



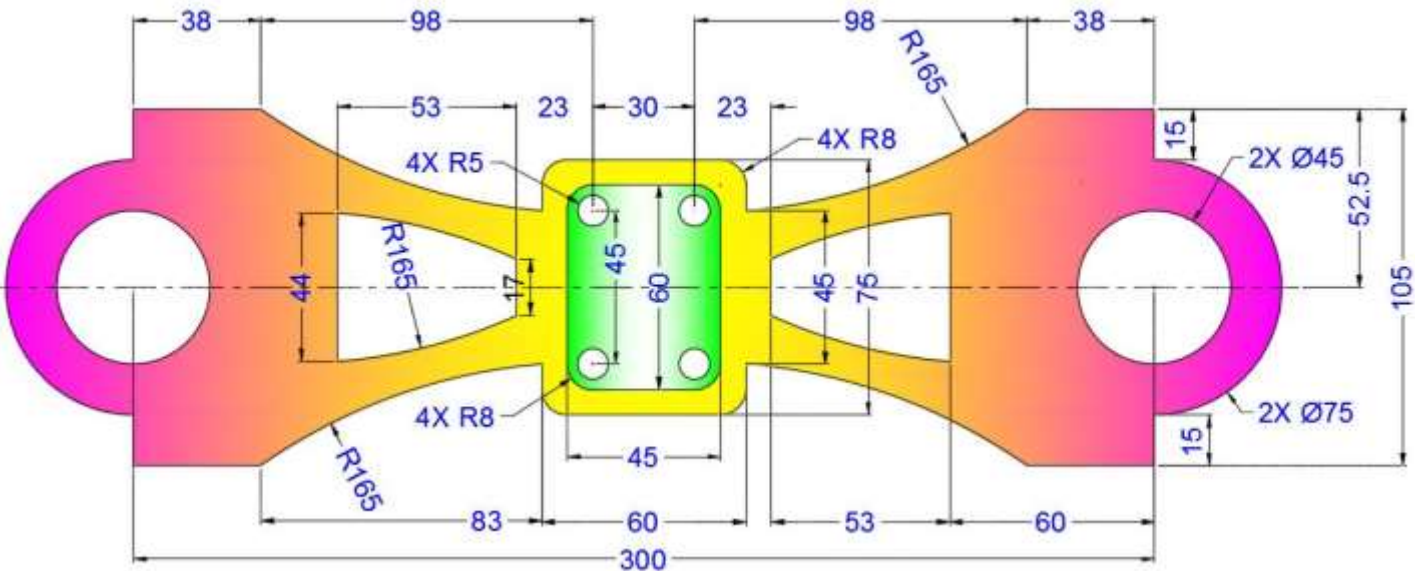
EX-70



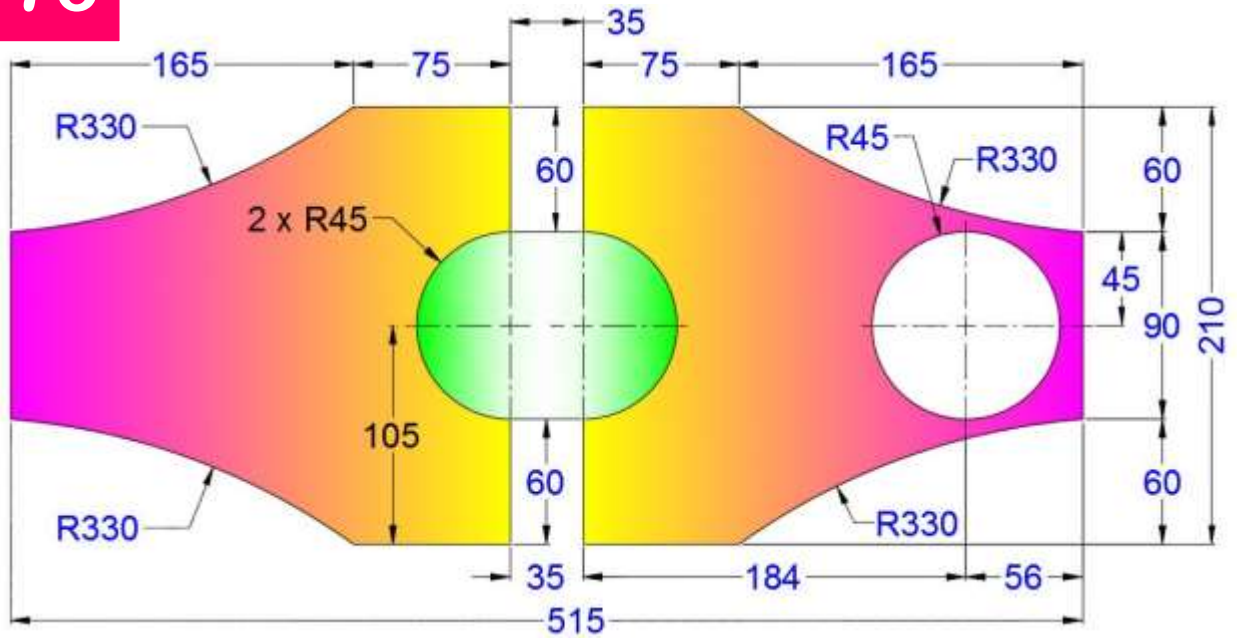
## EX-71



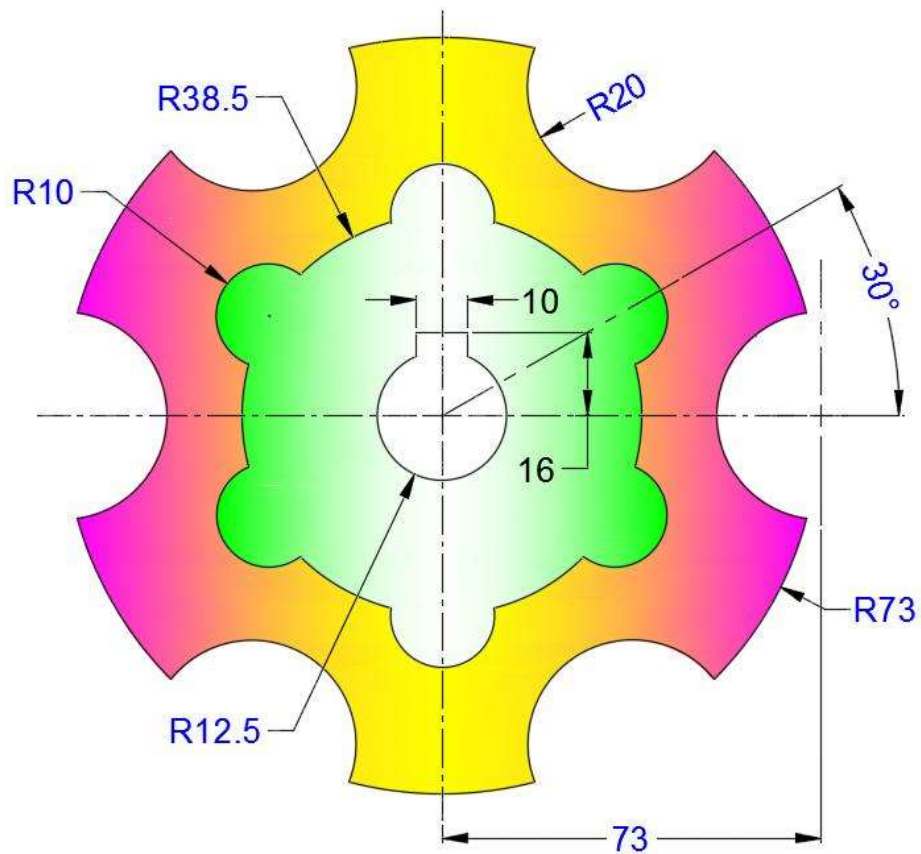
## EX-72



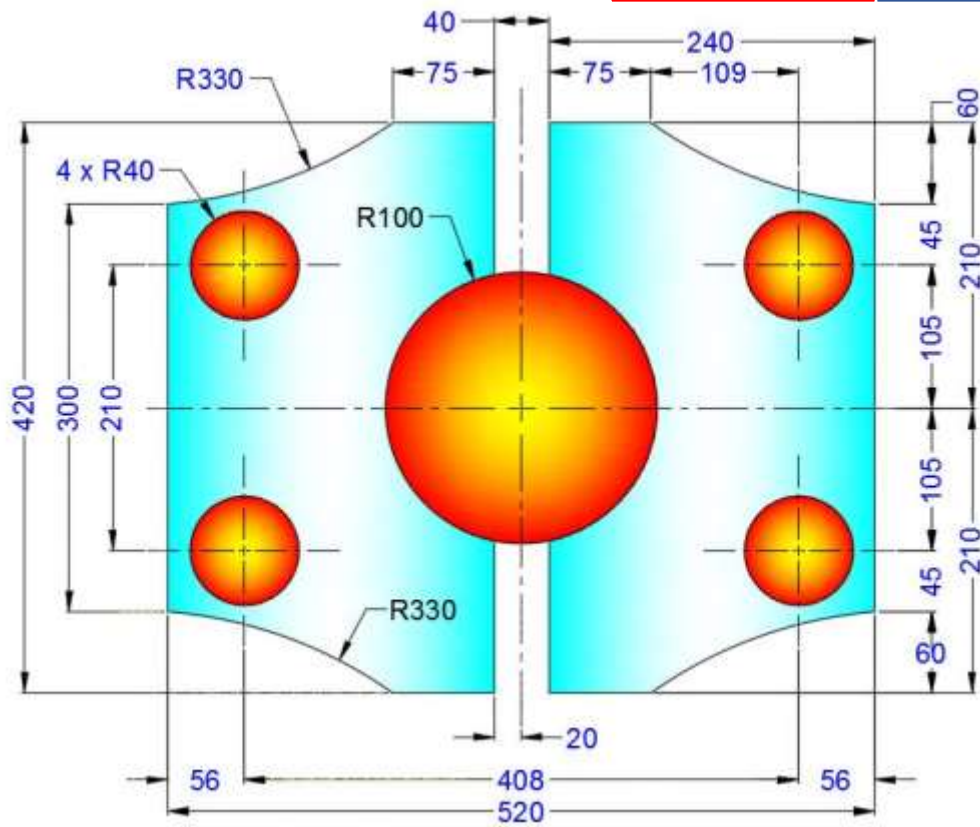
## EX-73



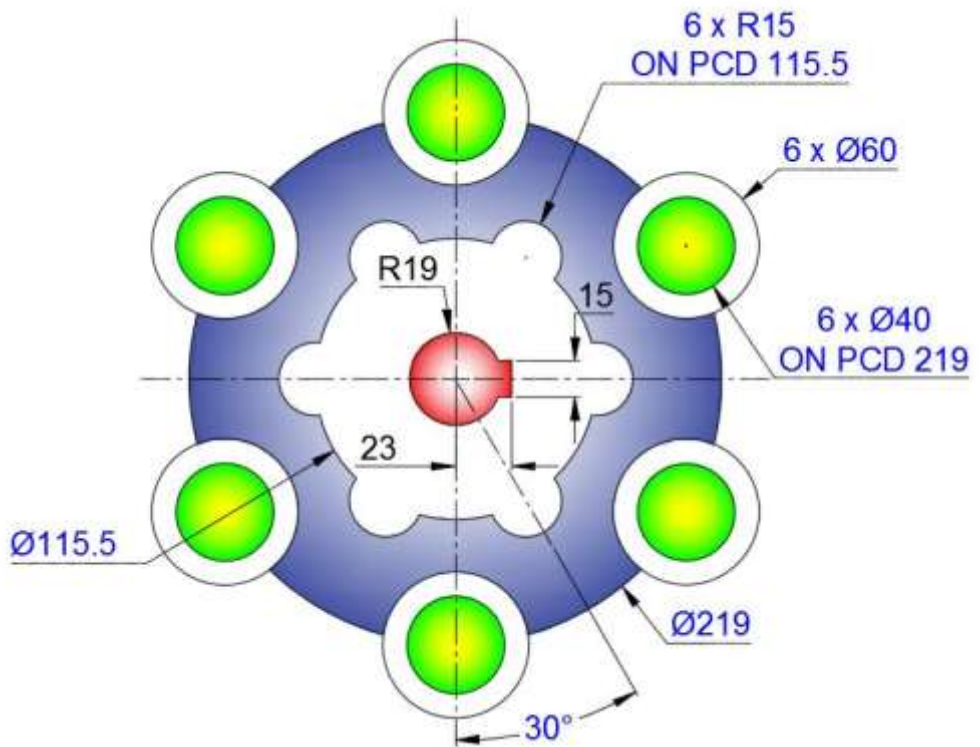
## EX-74



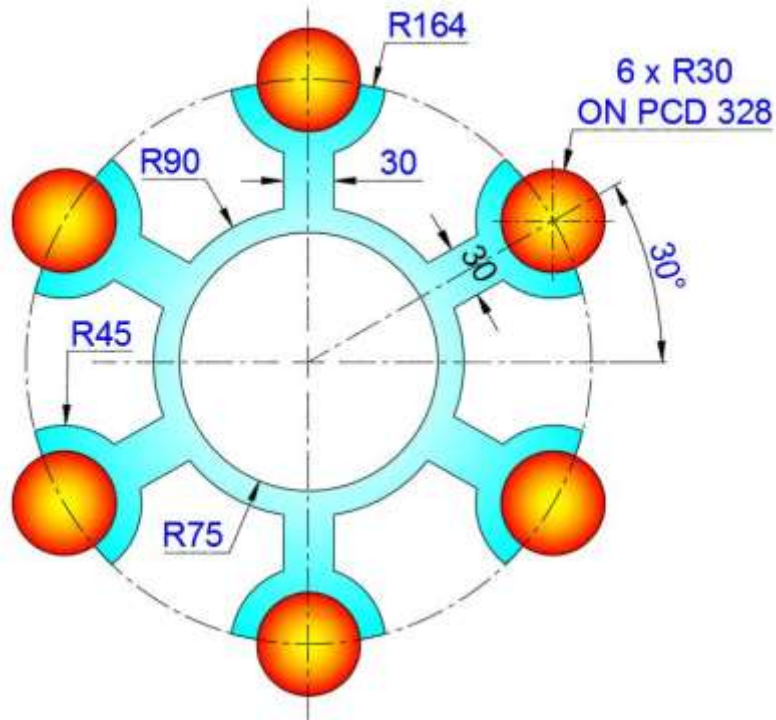
EX-75



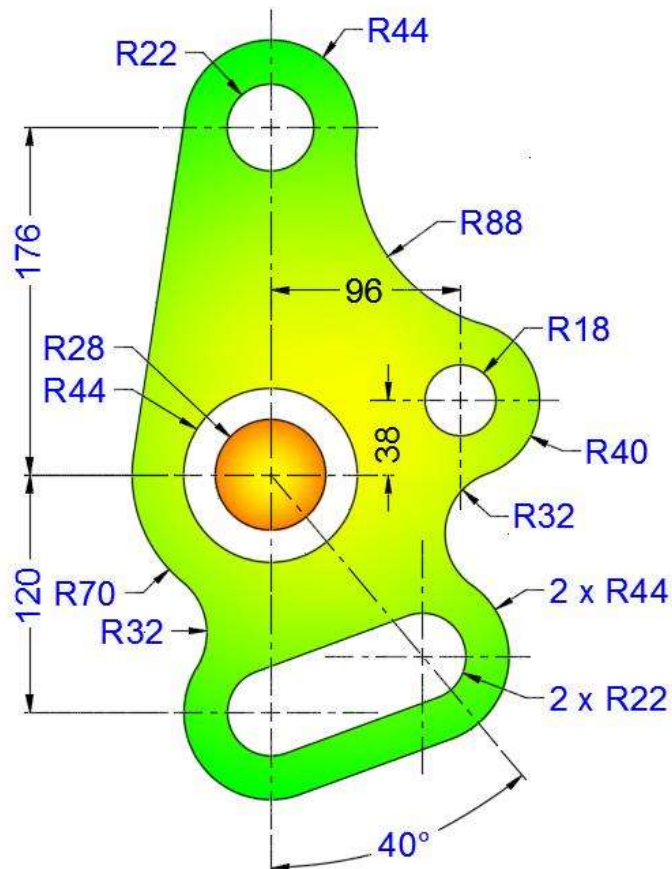
EX-76



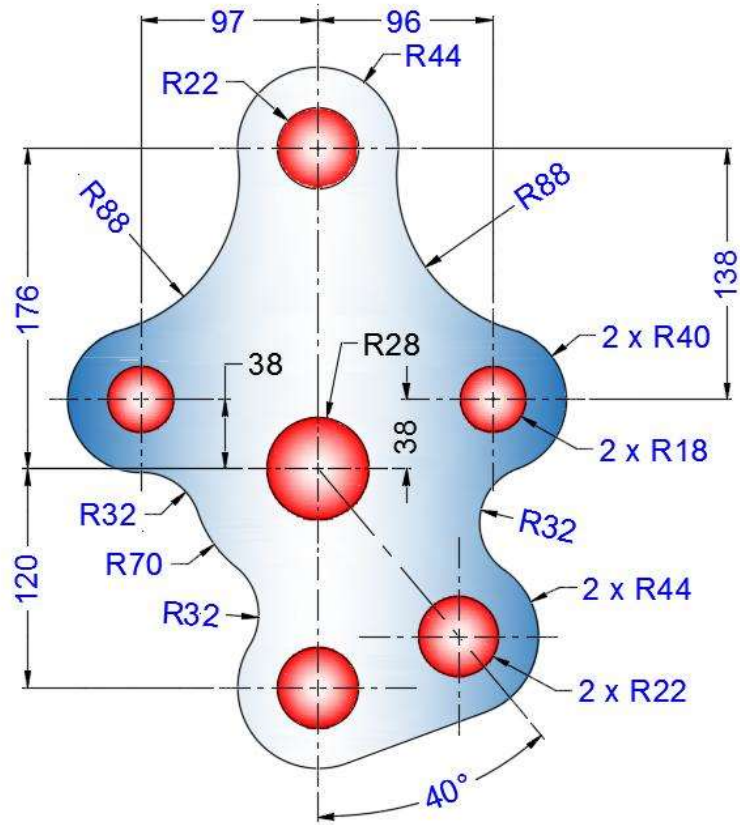
EX-77



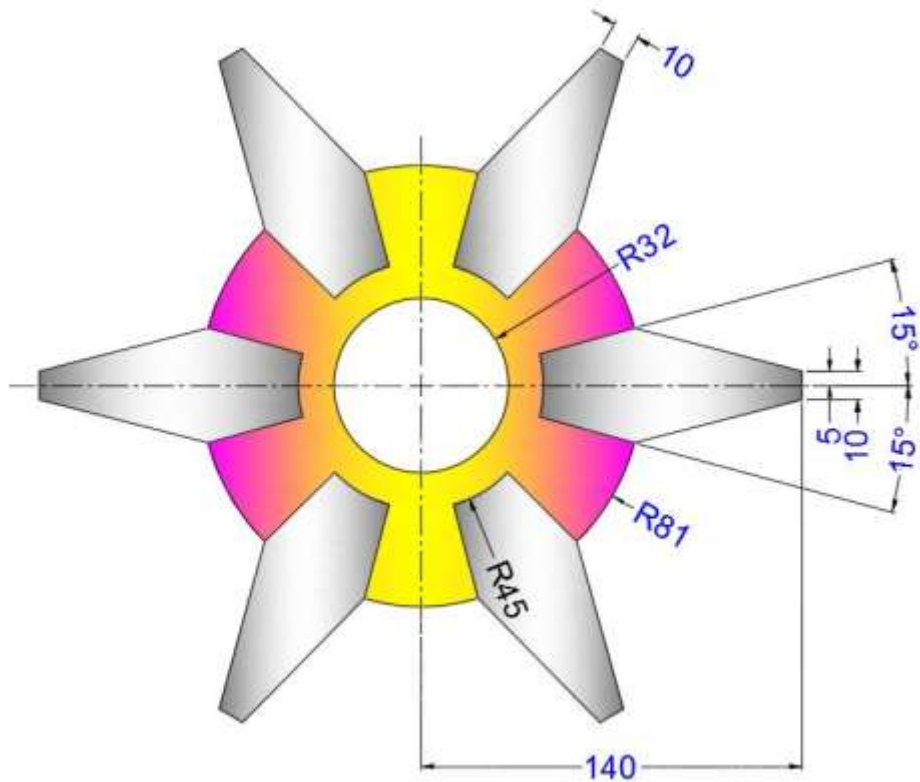
EX-78



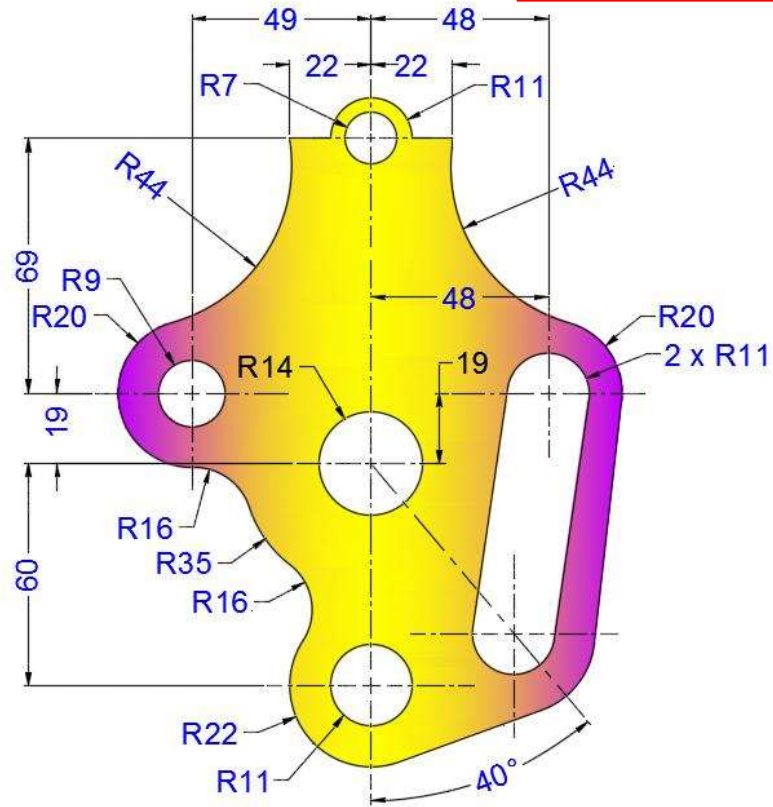
EX-79



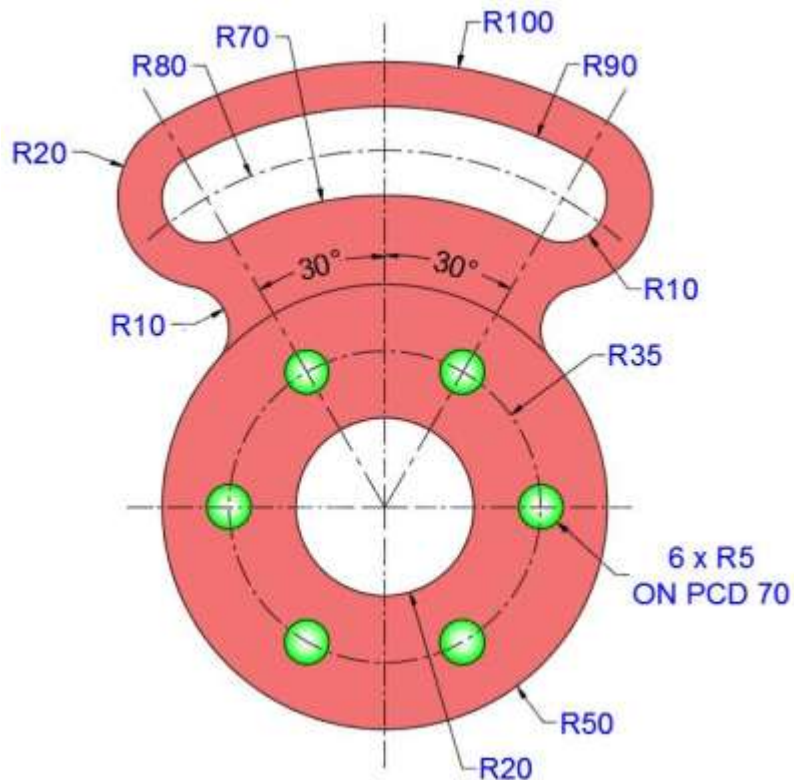
EX-80



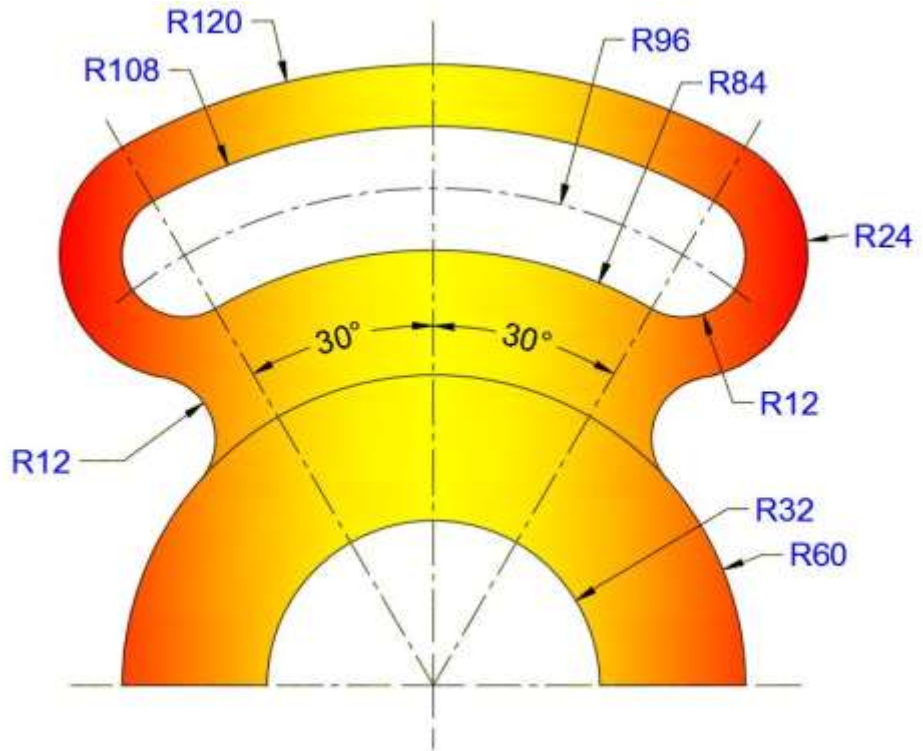
EX-81



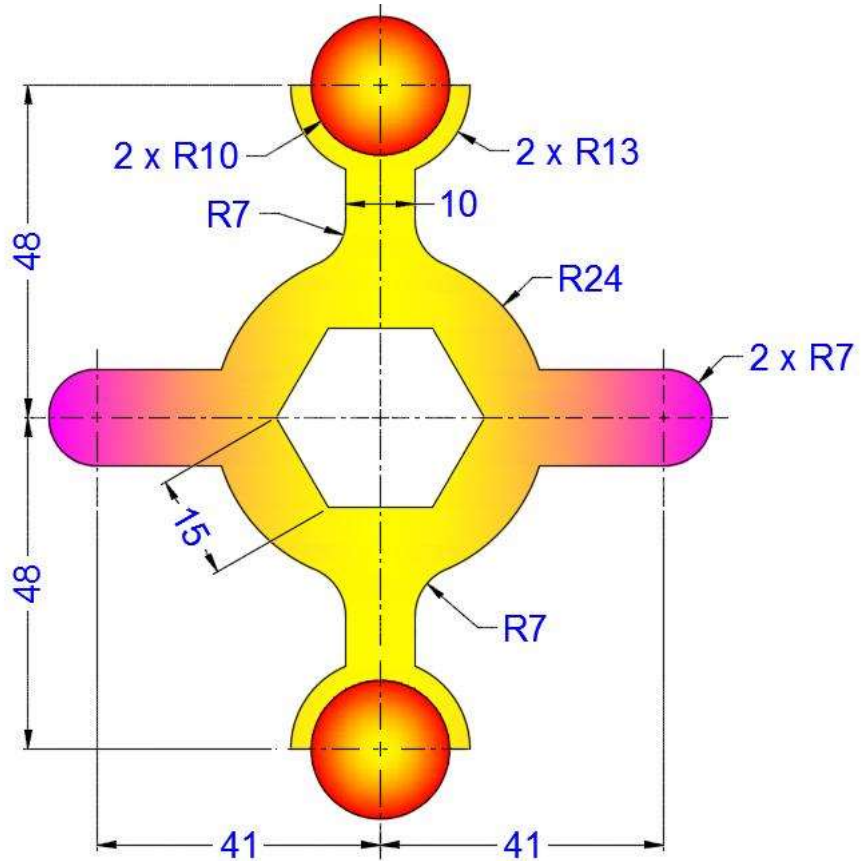
EX-82



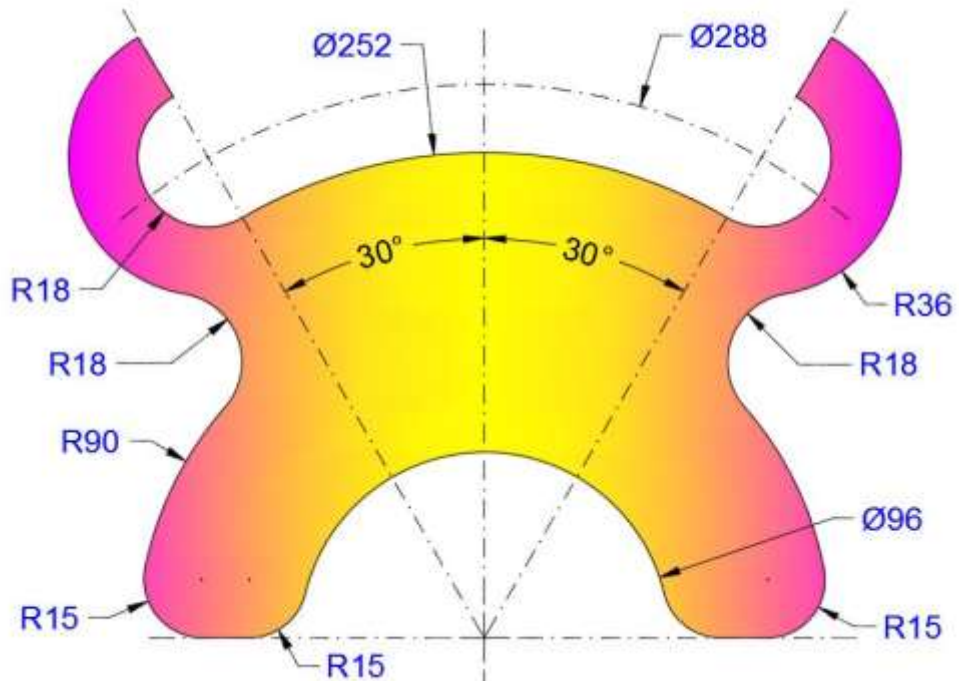
EX-83



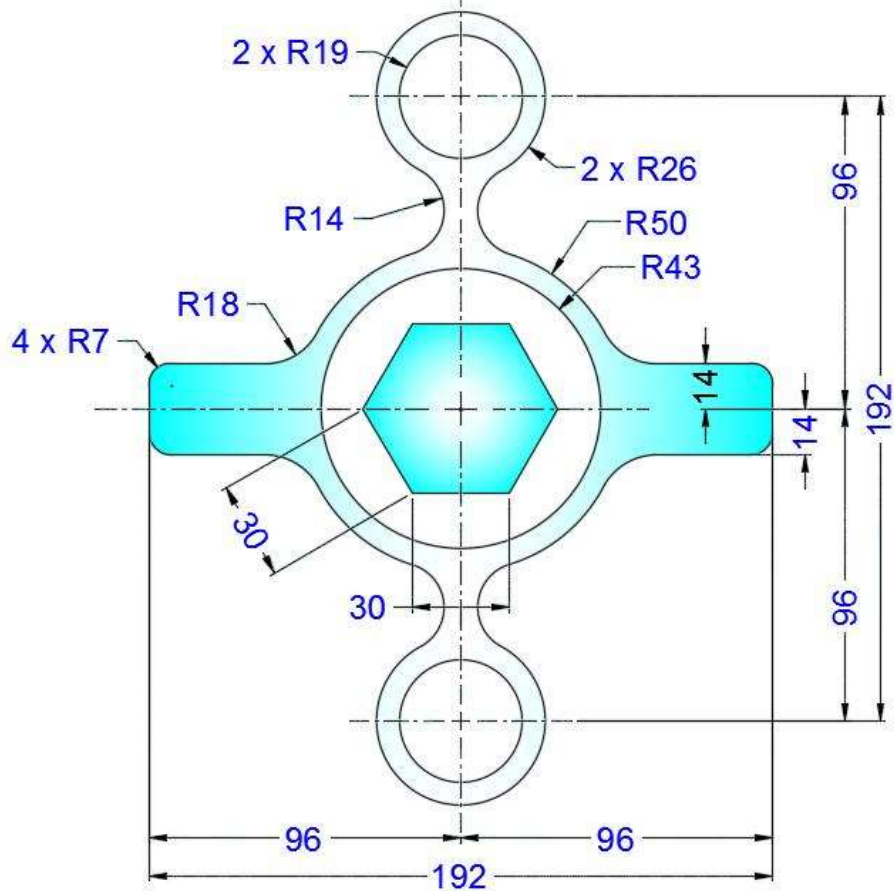
EX-84



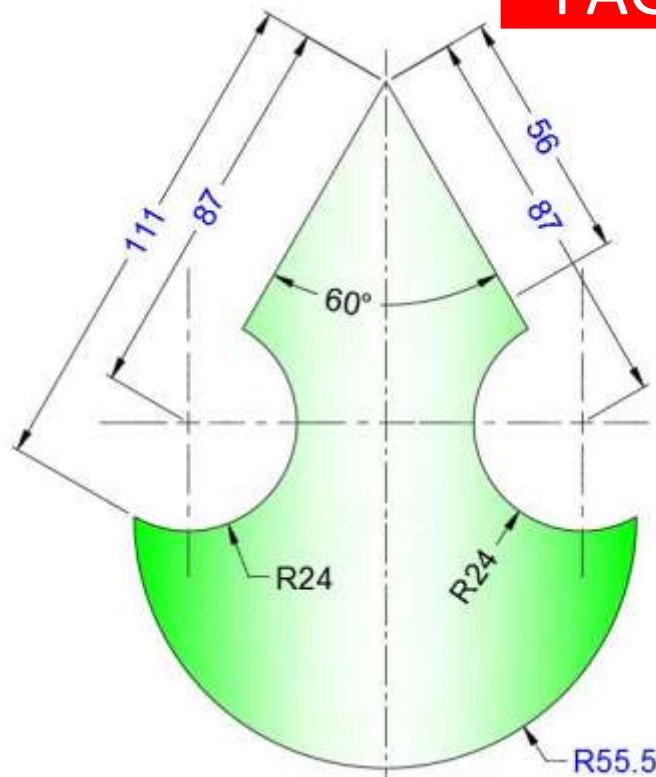
EX-85



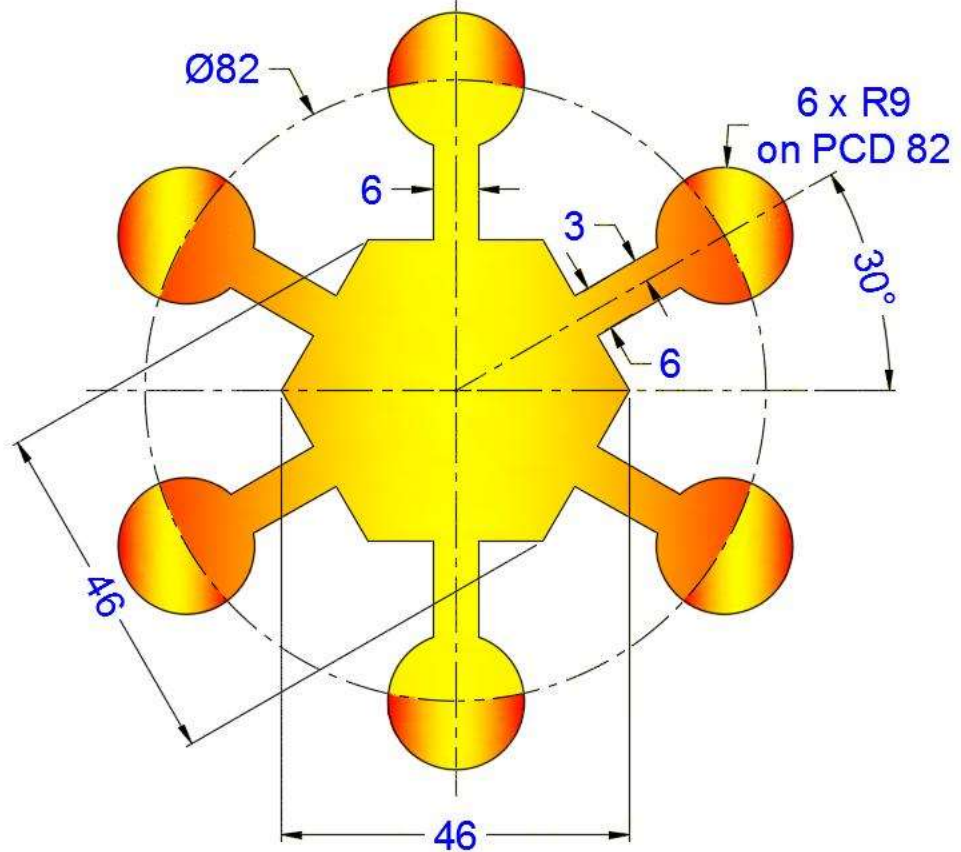
EX-86



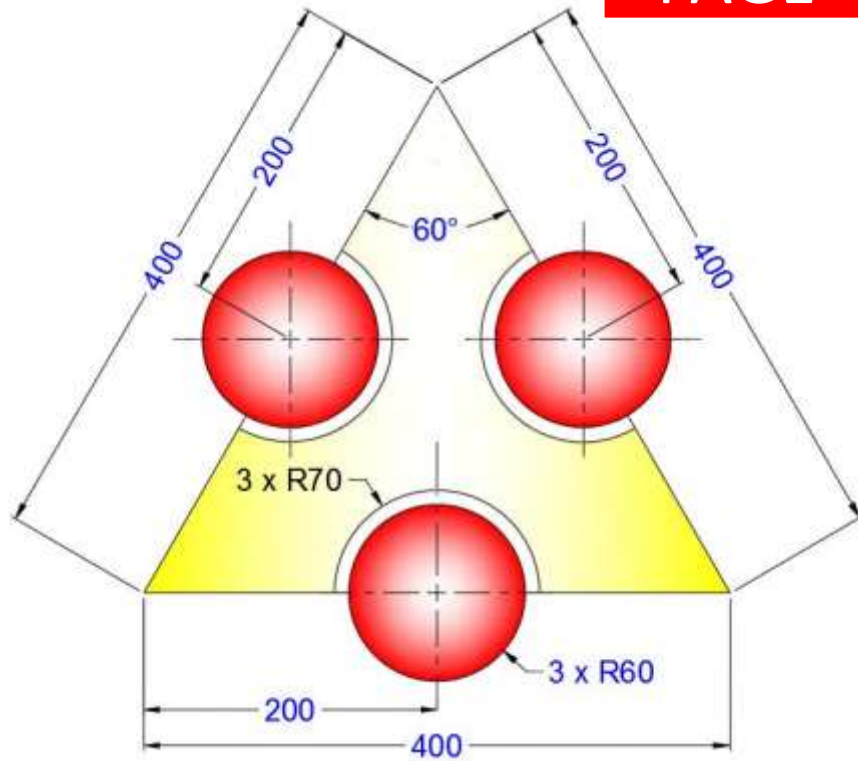
EX-87



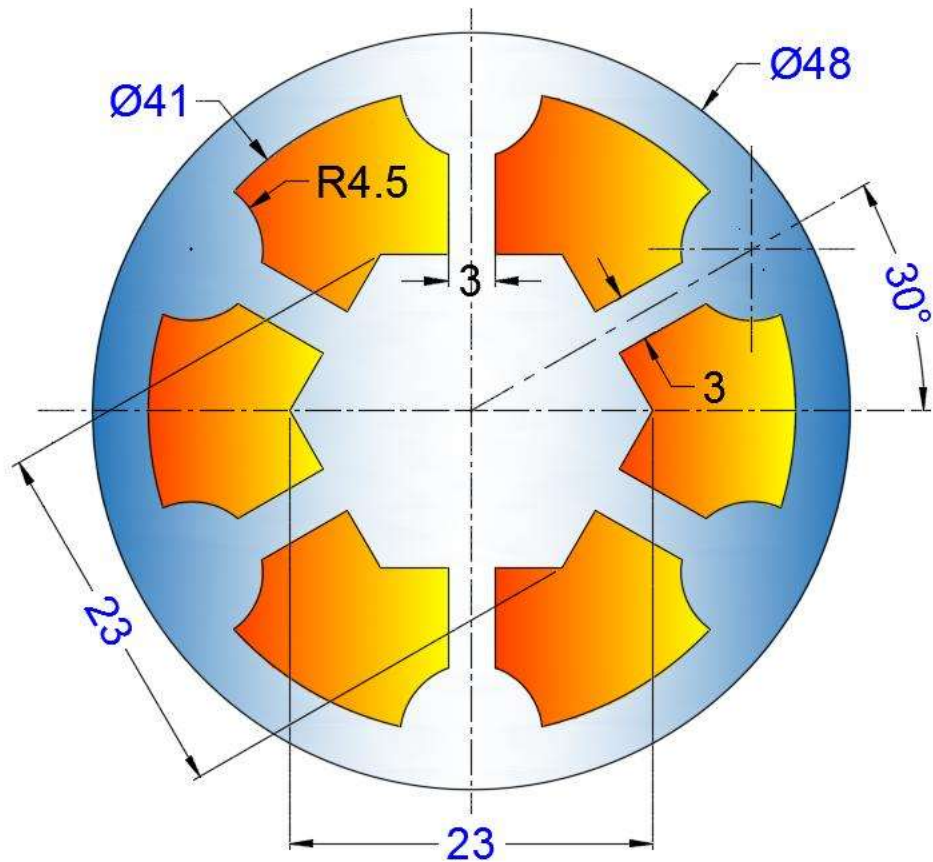
EX-88



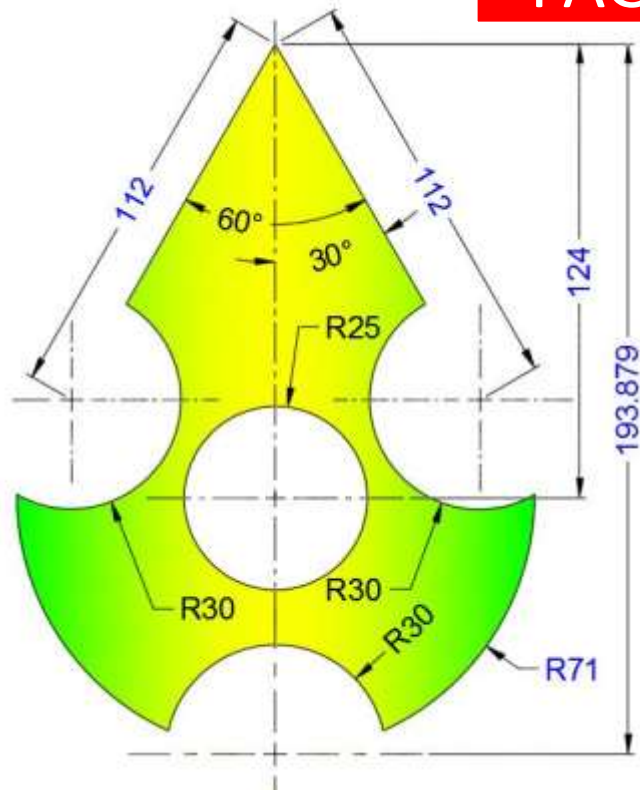
EX-89



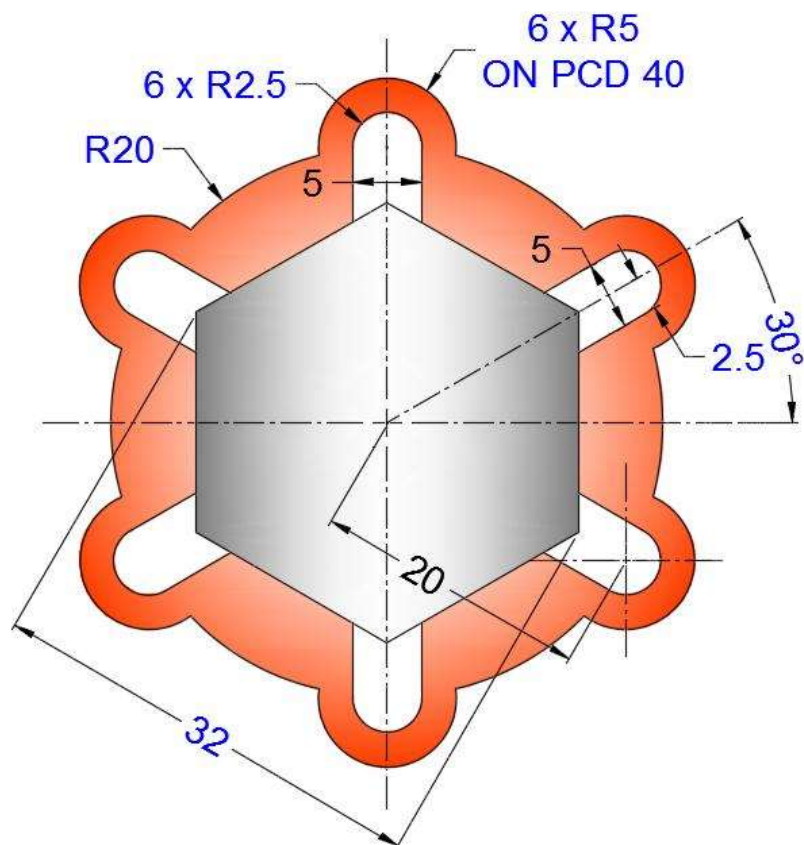
EX-90



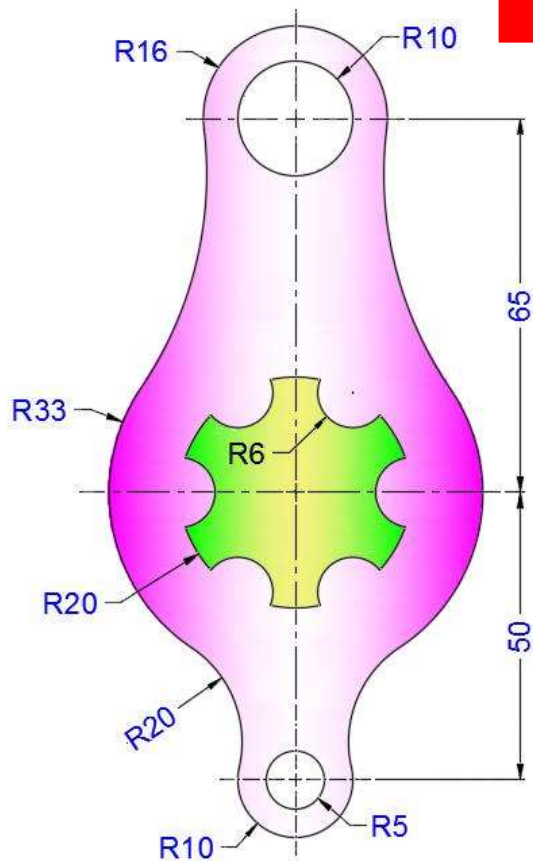
EX-91



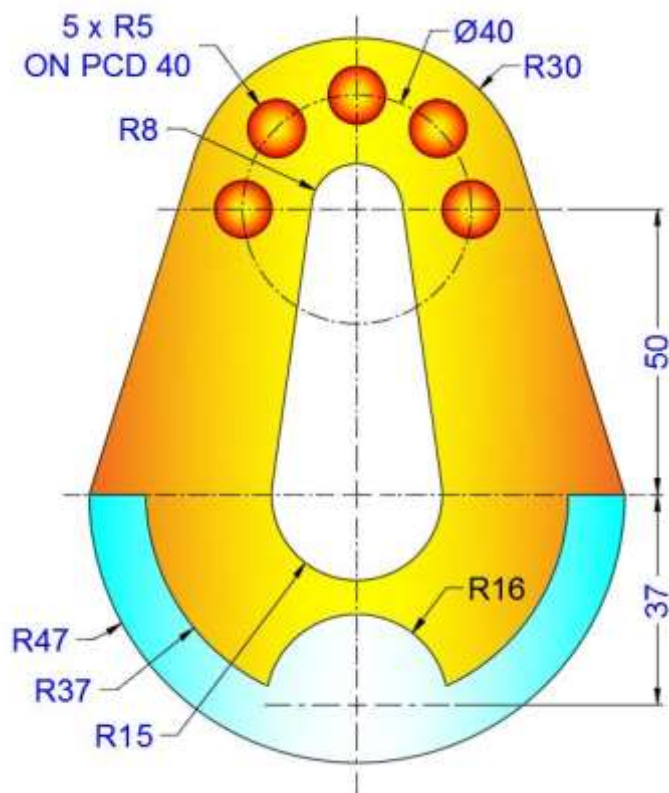
EX-92



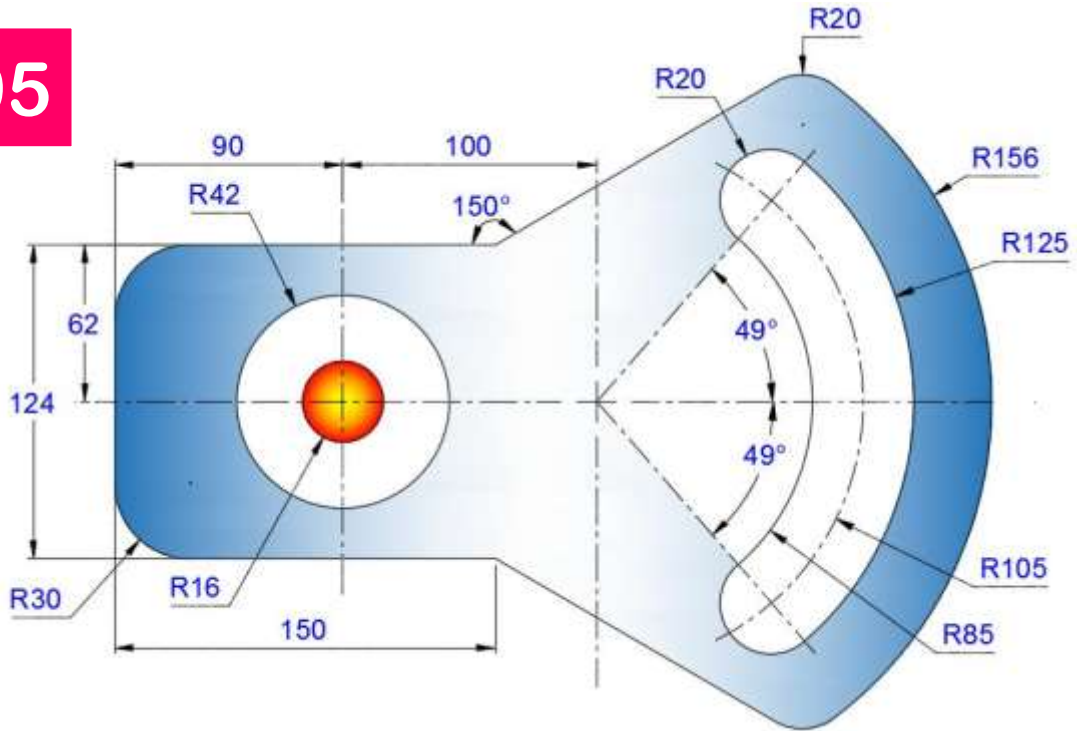
EX-93



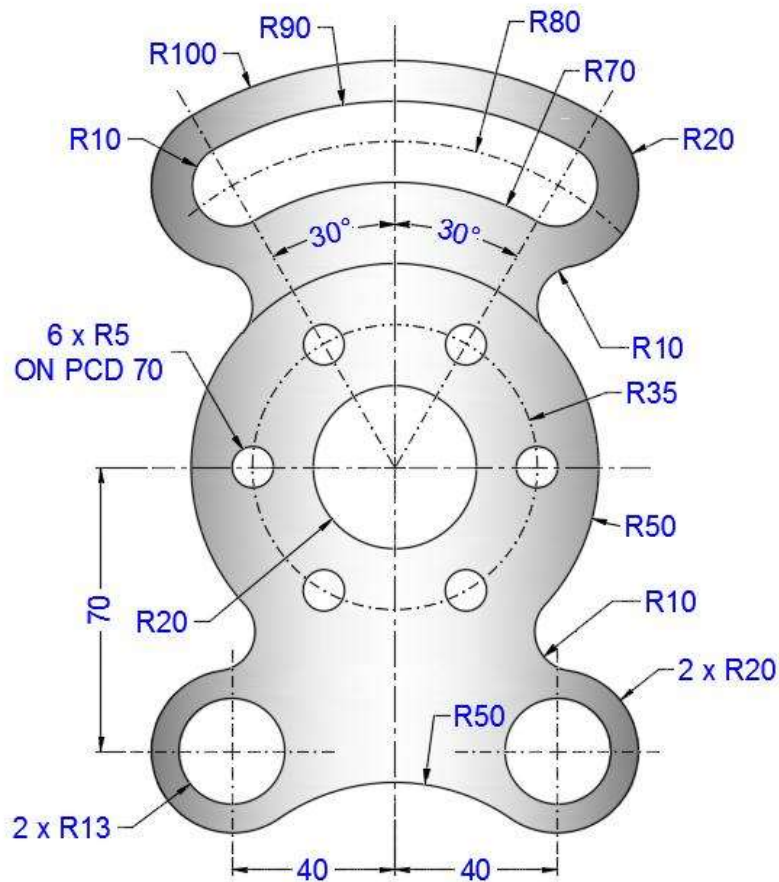
EX-94



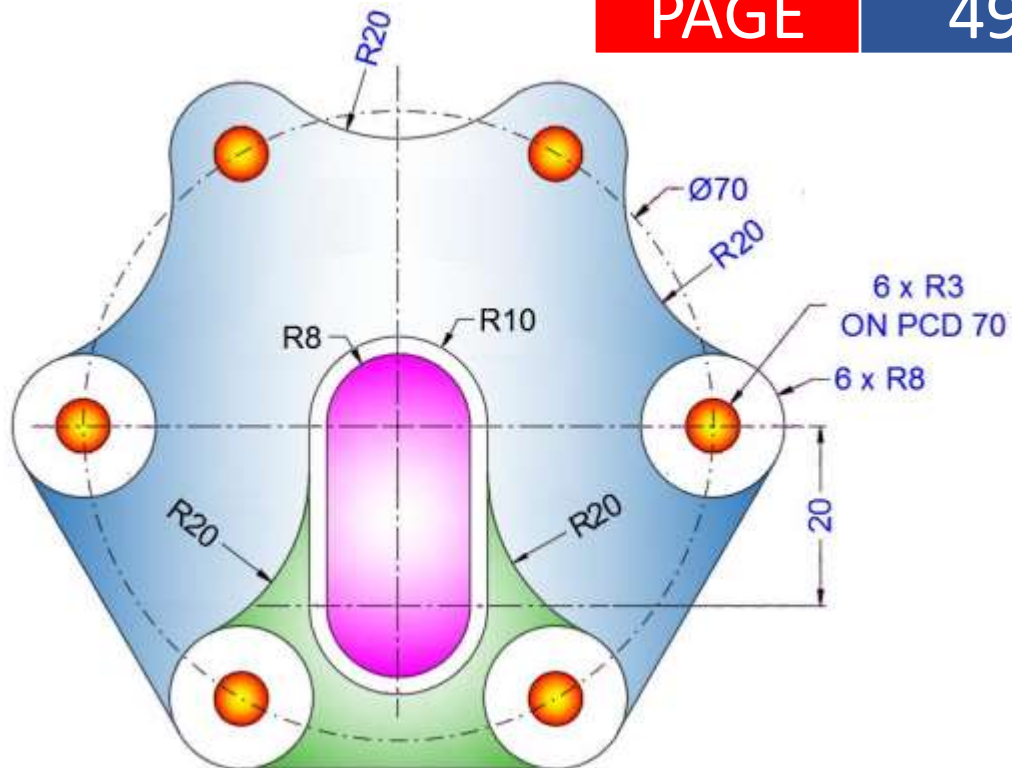
## EX-95



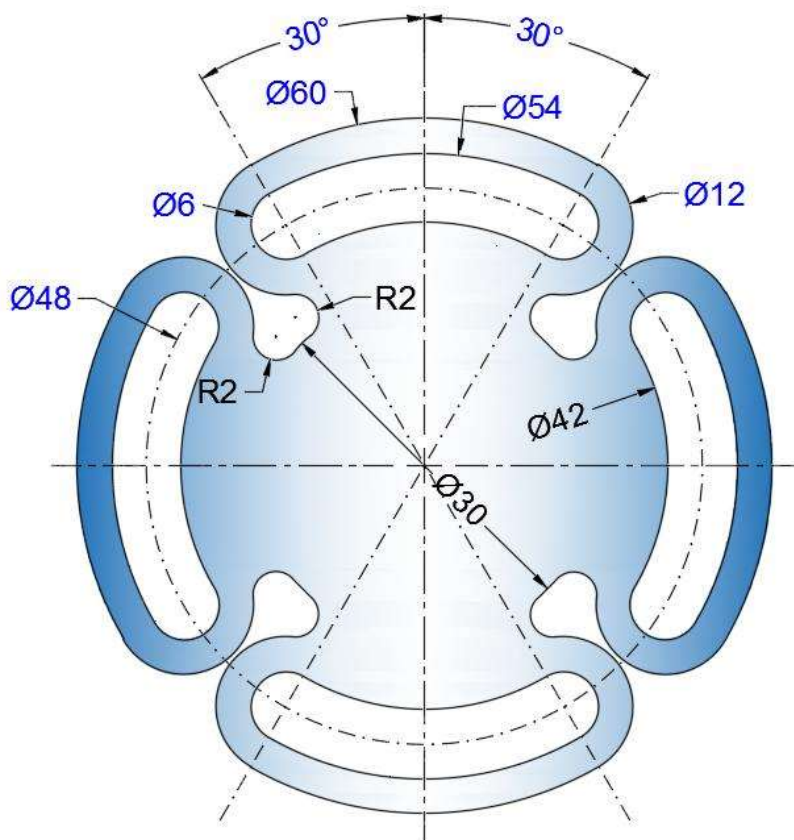
## EX-96



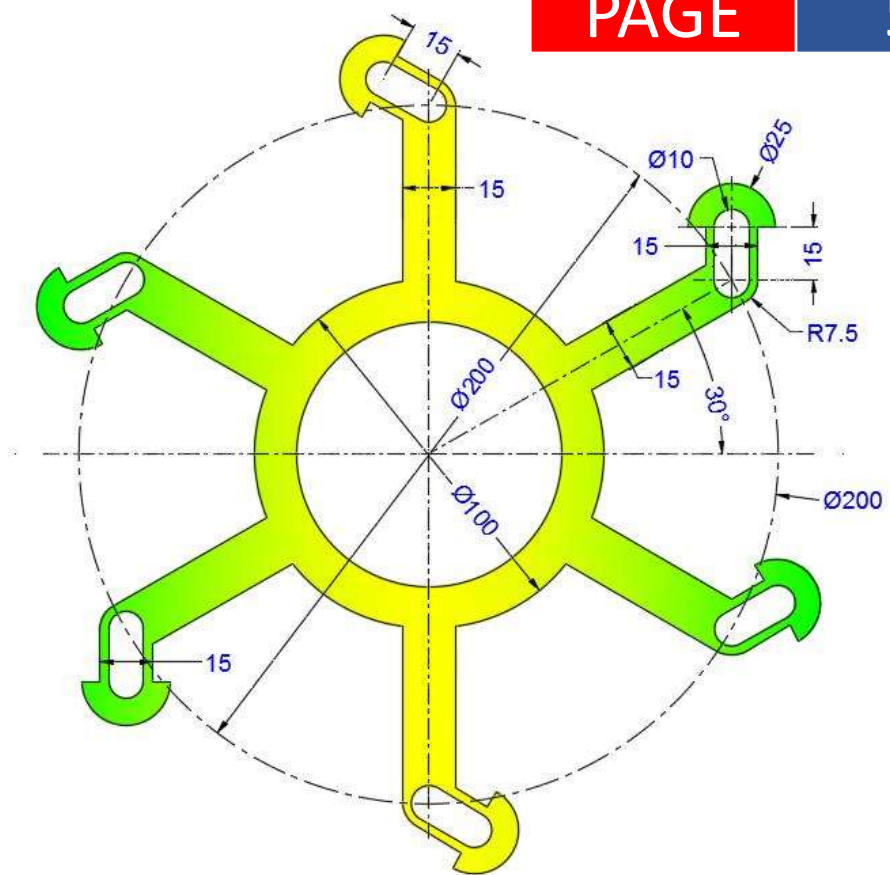
EX-97



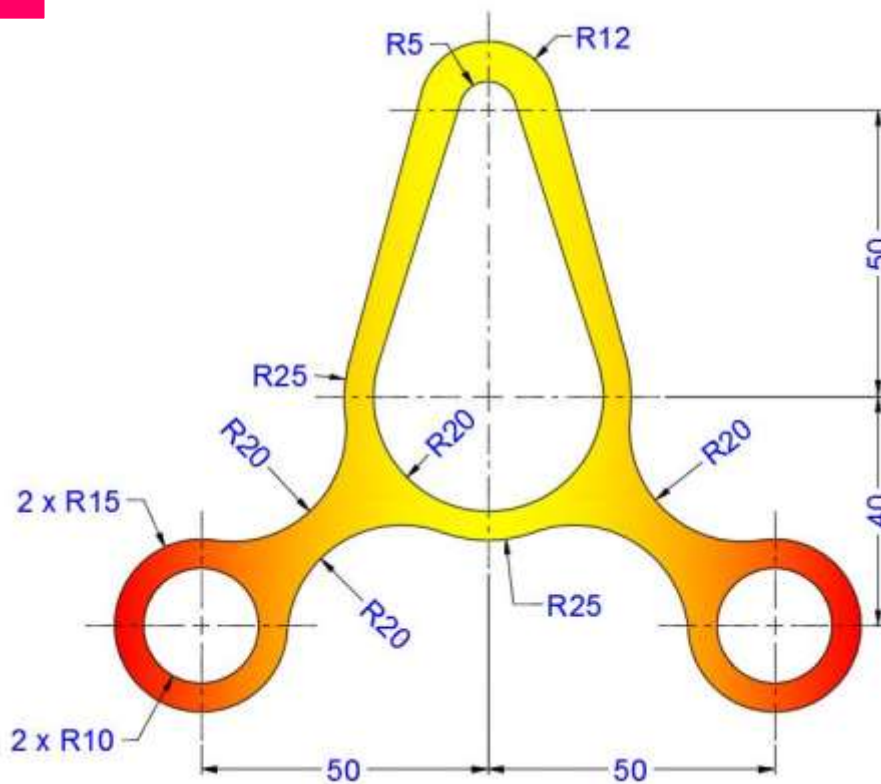
EX-98



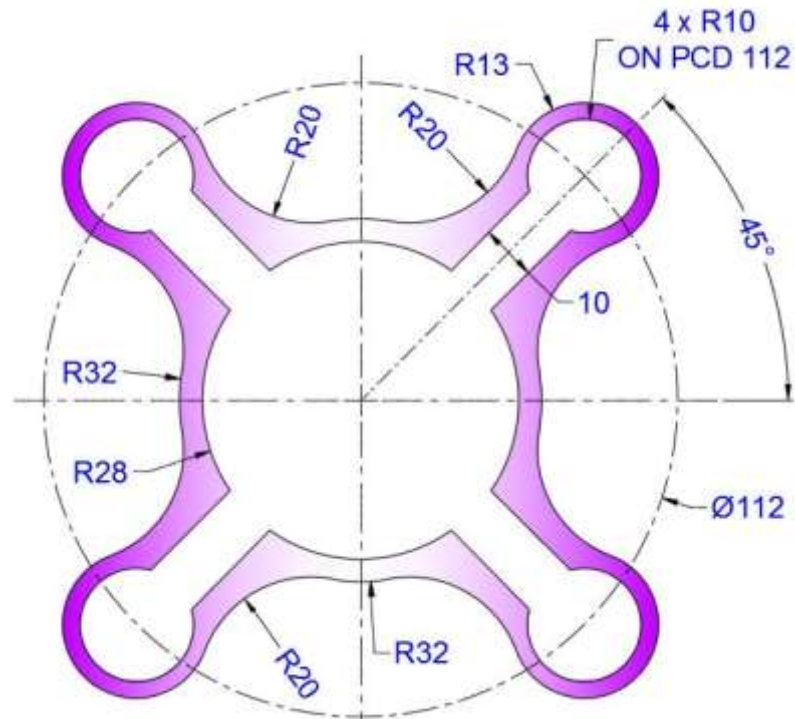
EX-99



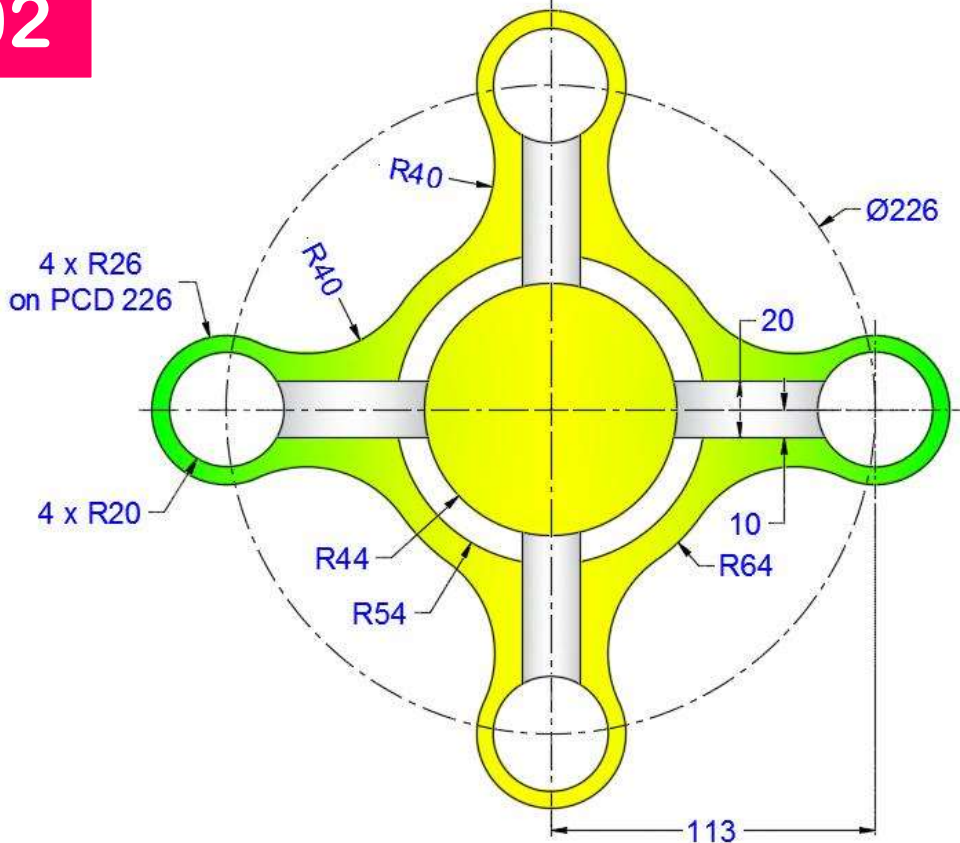
EX-100



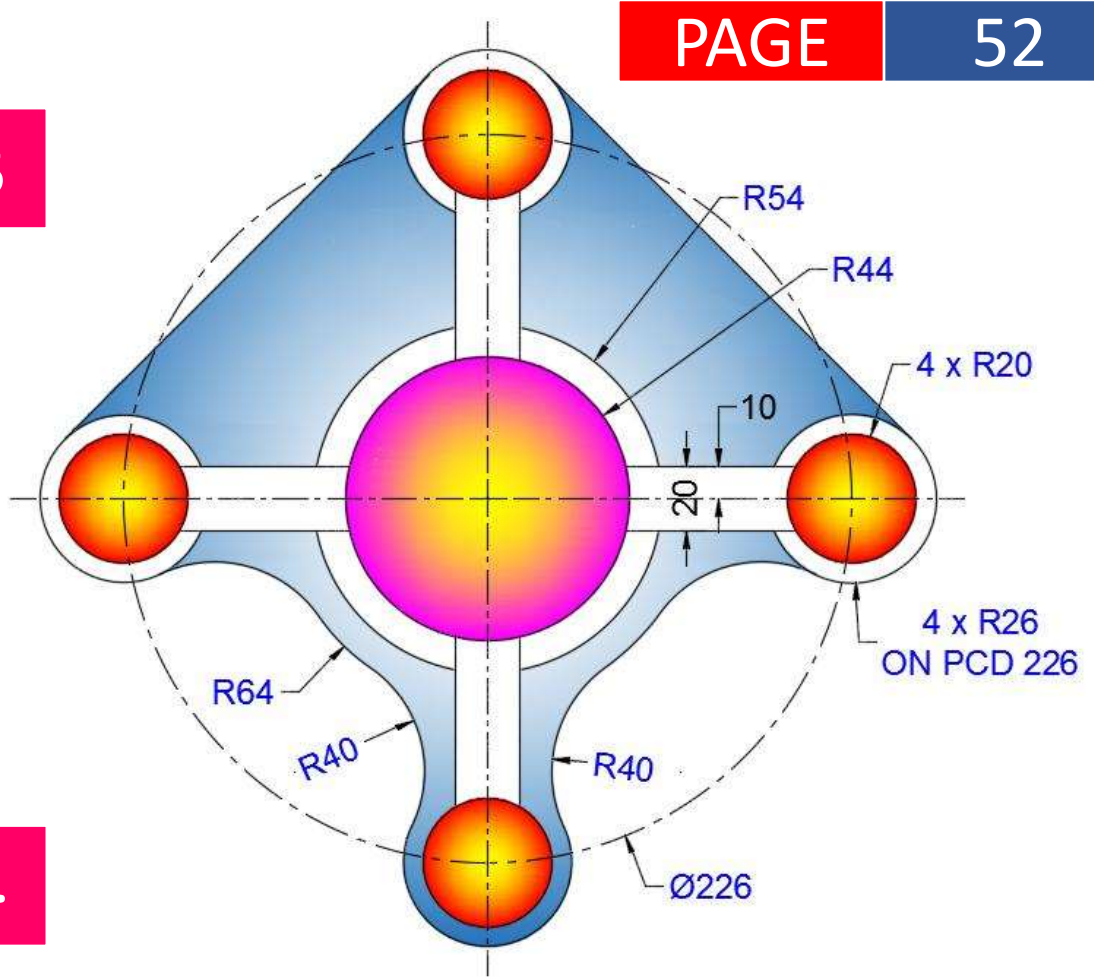
EX-101



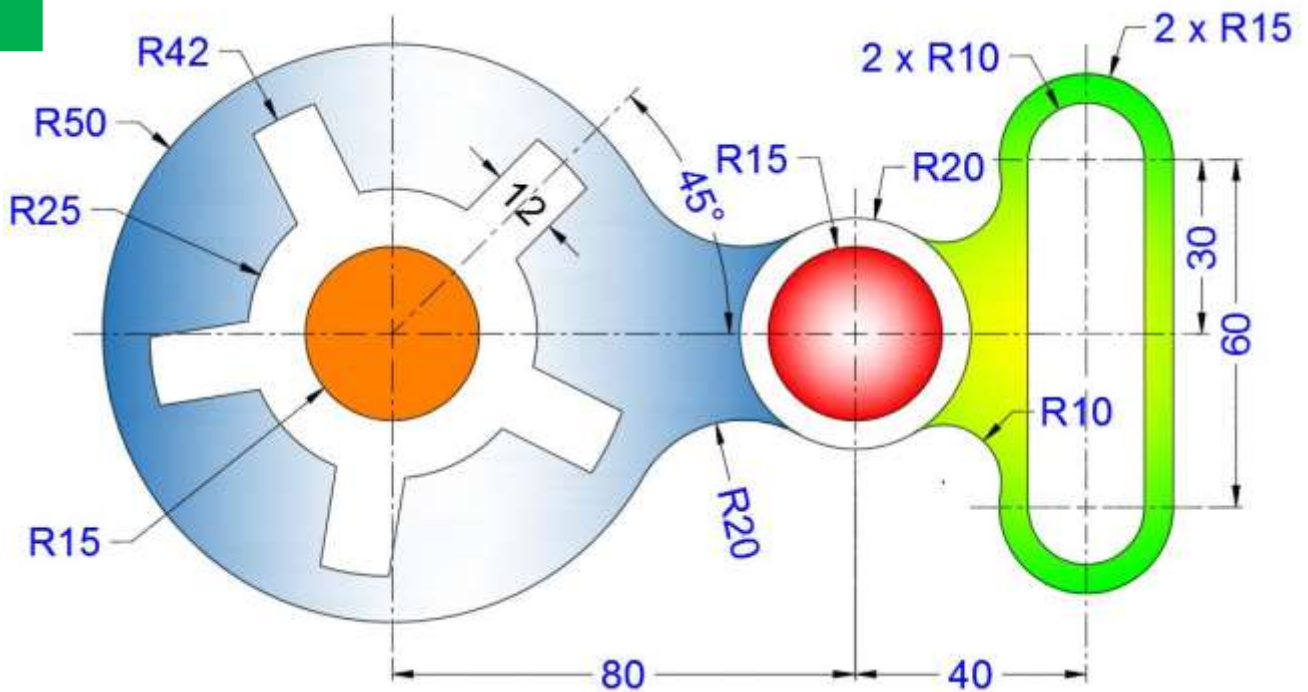
EX-102



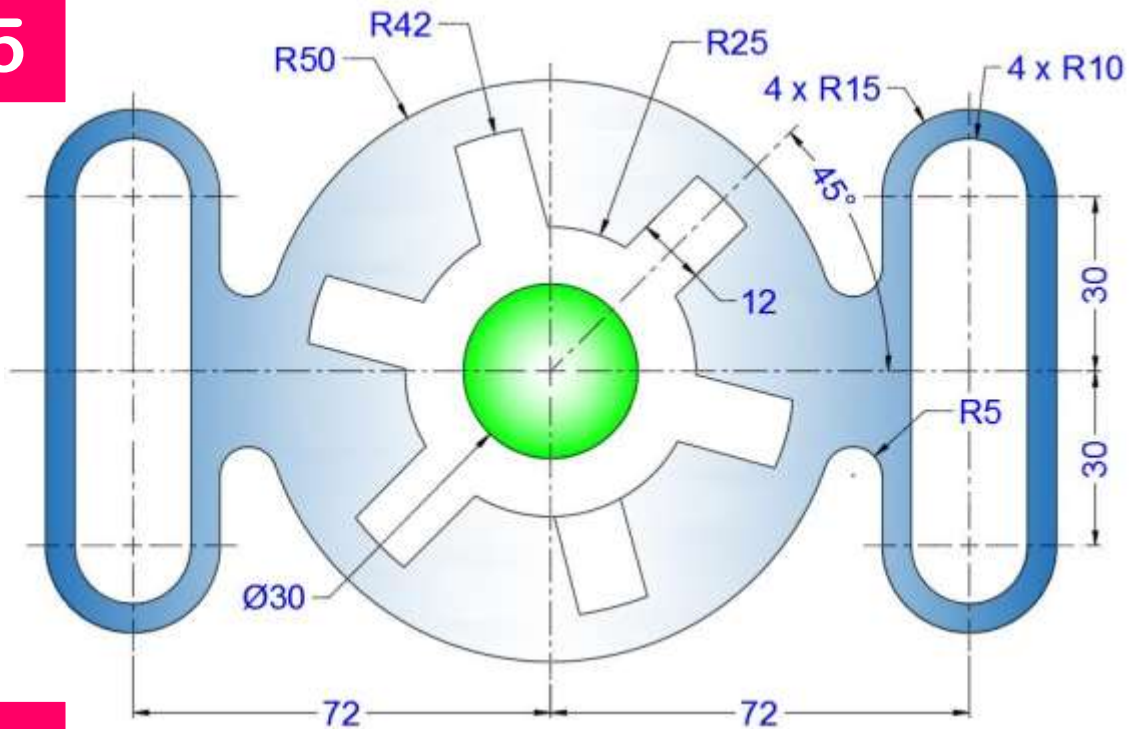
EX-103



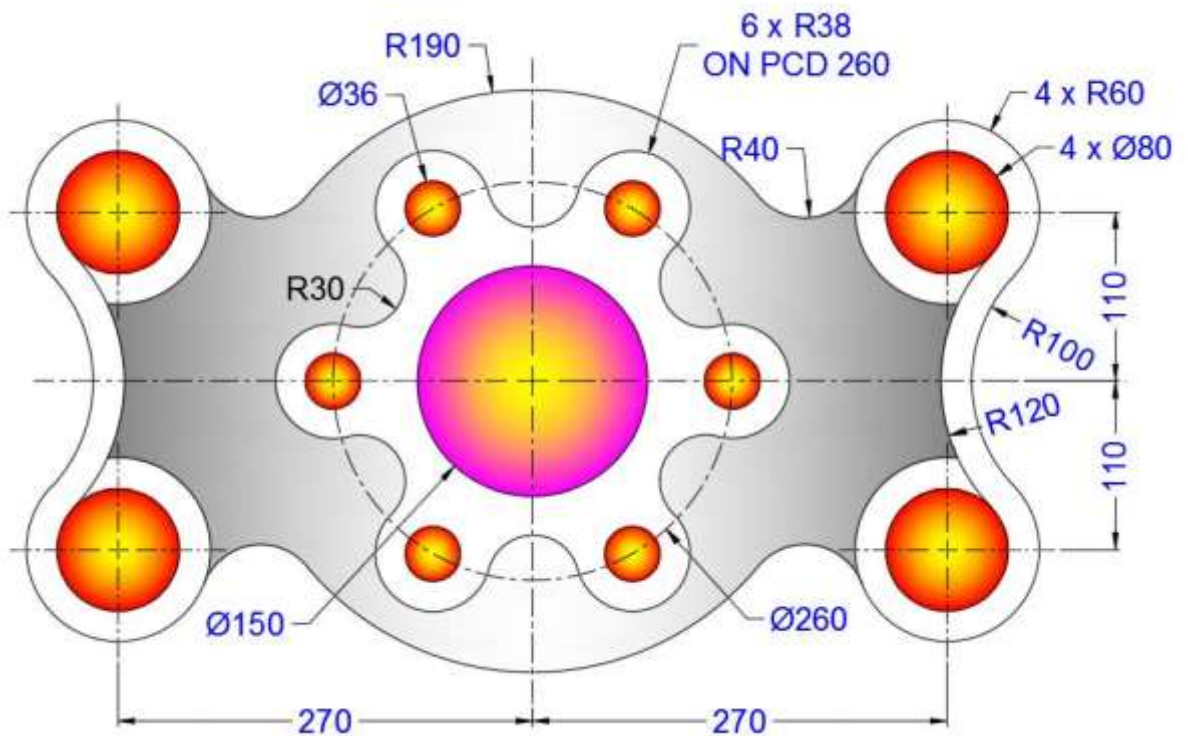
EX-104



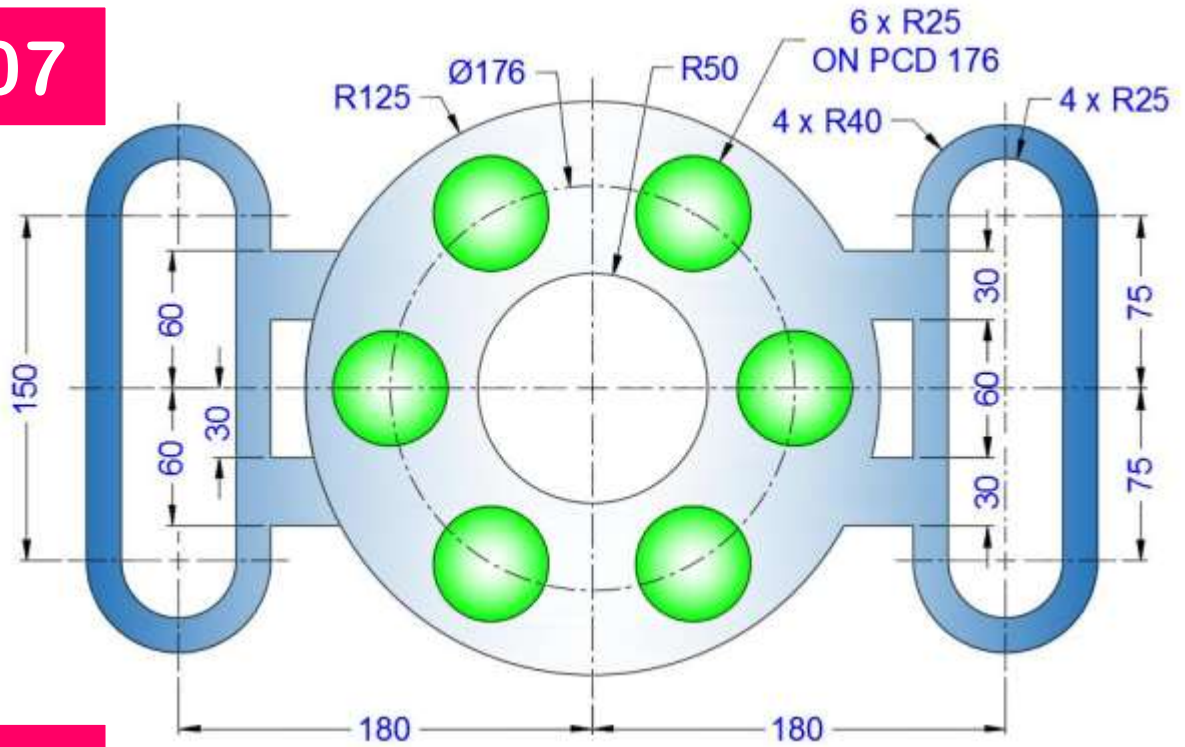
EX-105



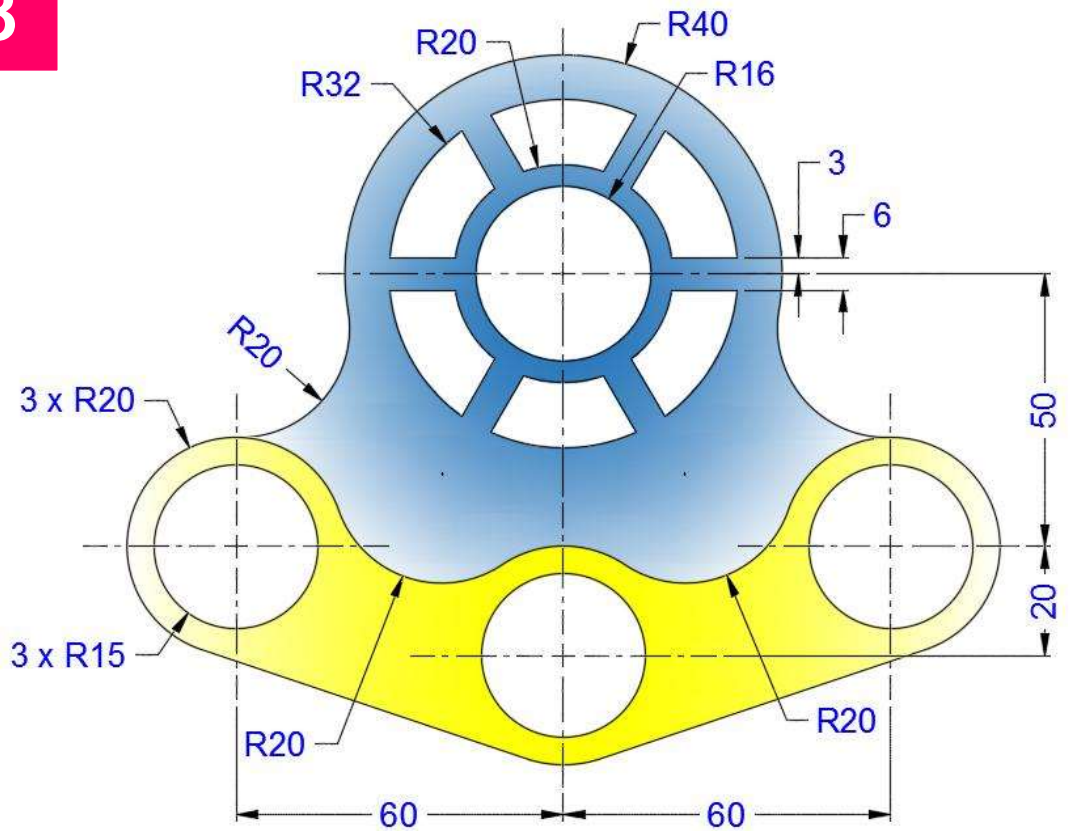
EX-106



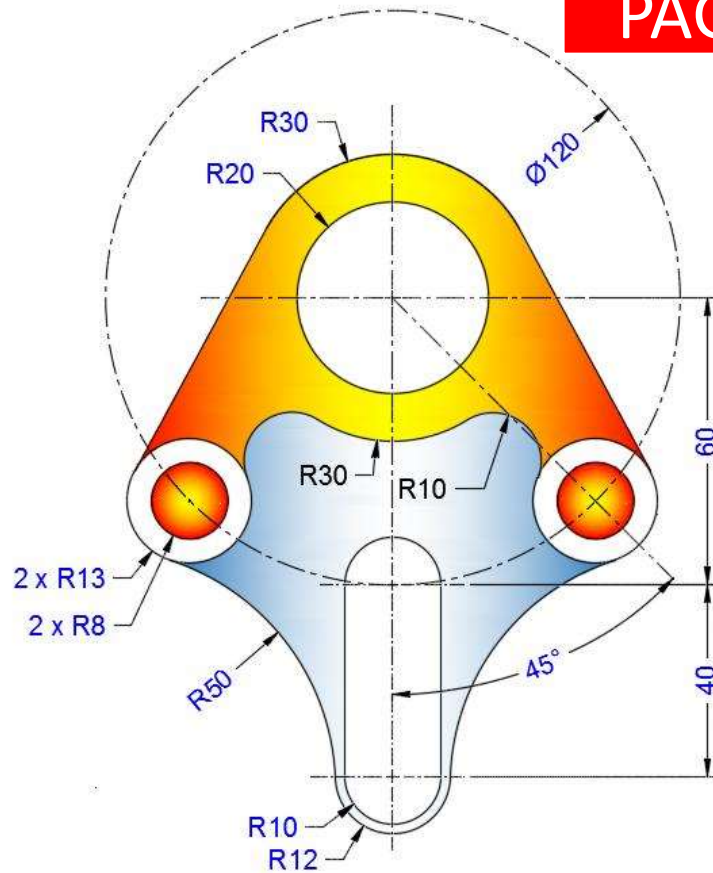
EX-107



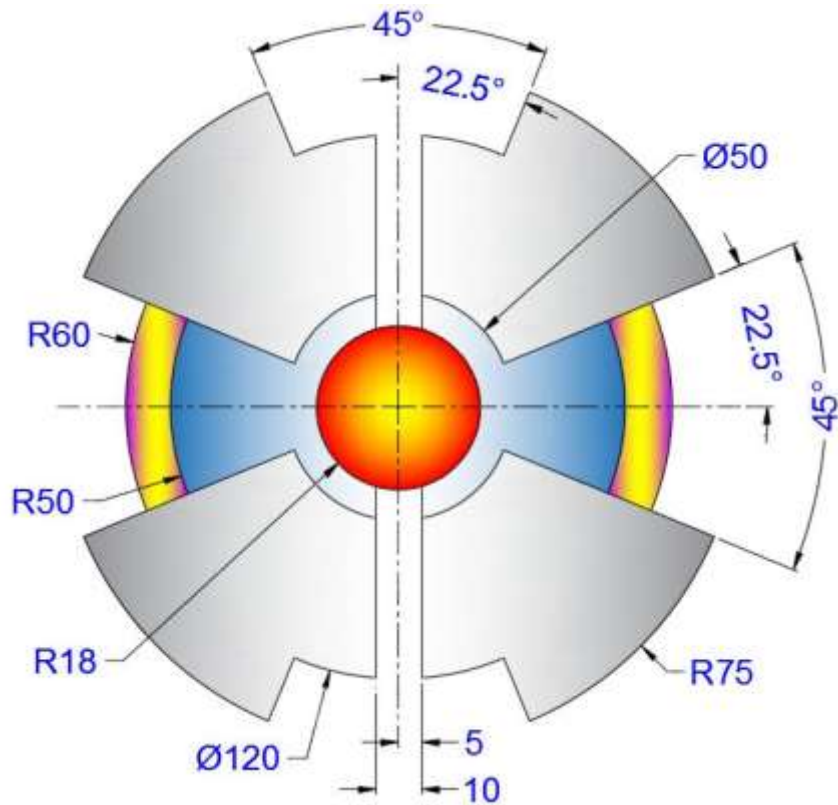
EX-108



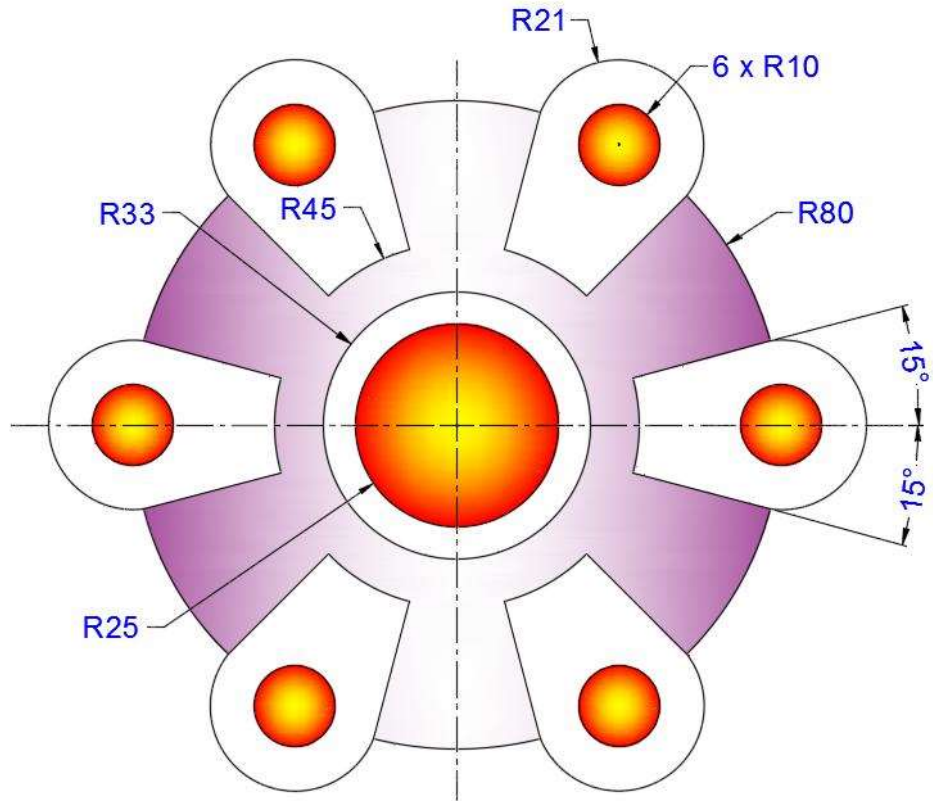
EX-109



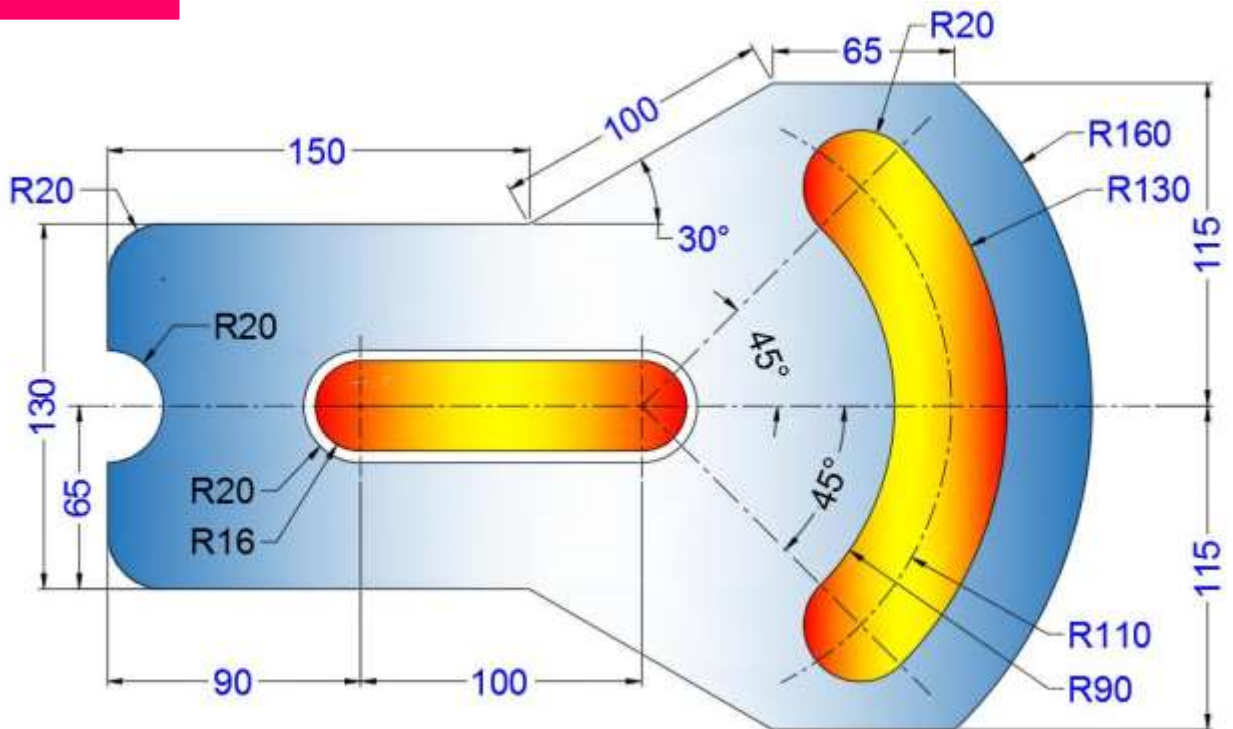
EX-110



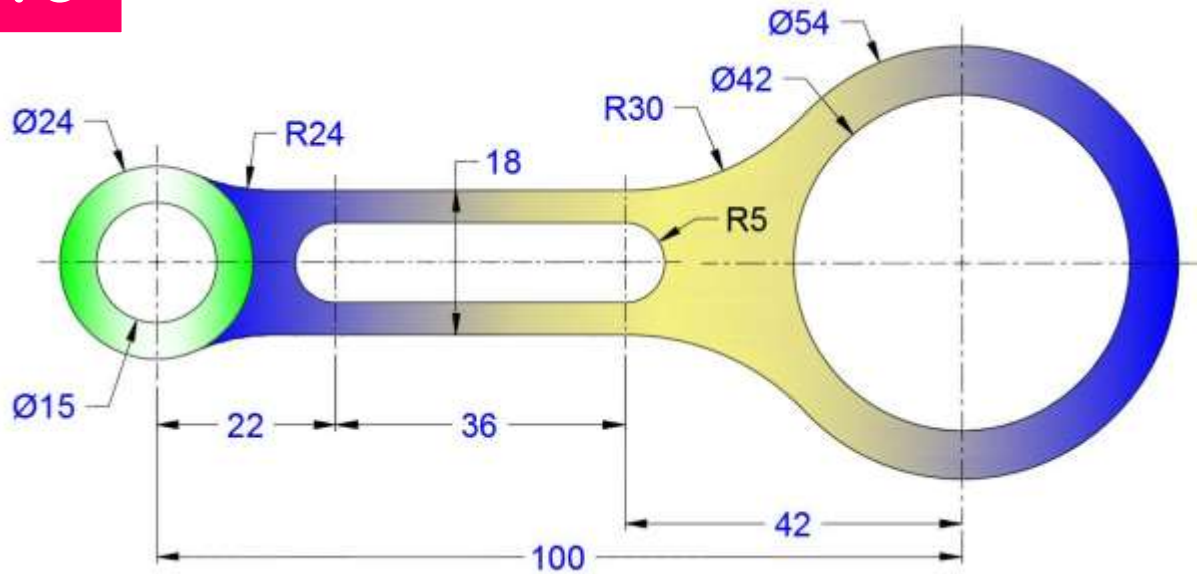
EX-111



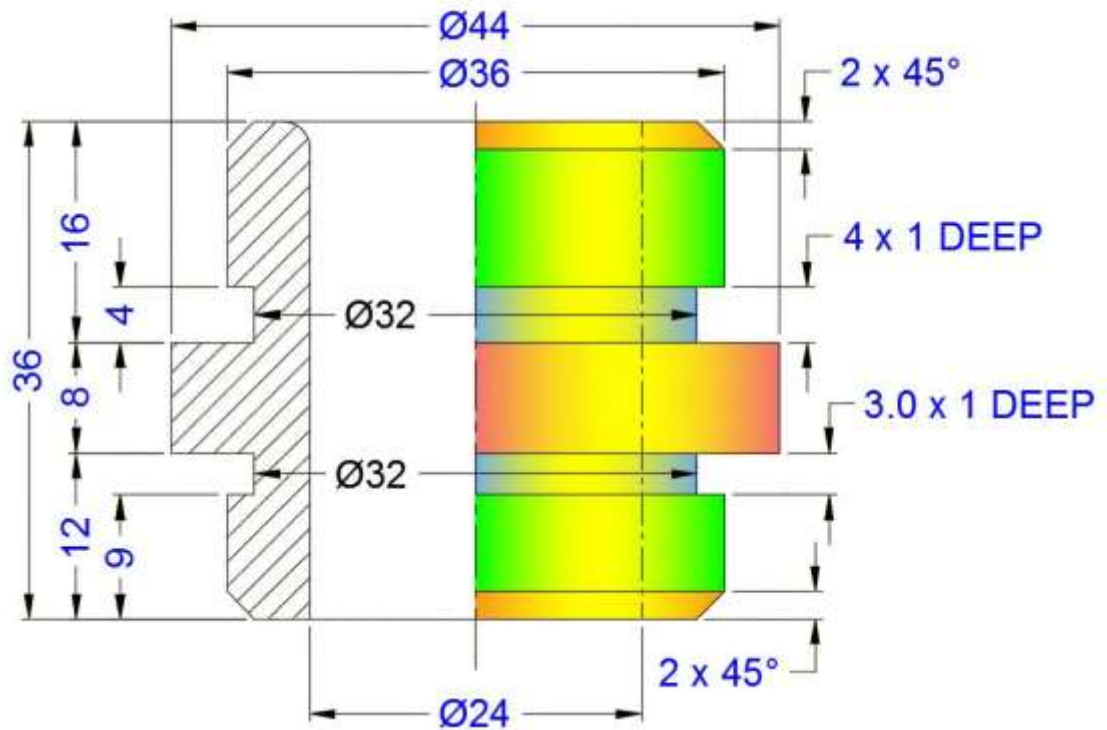
EX-112



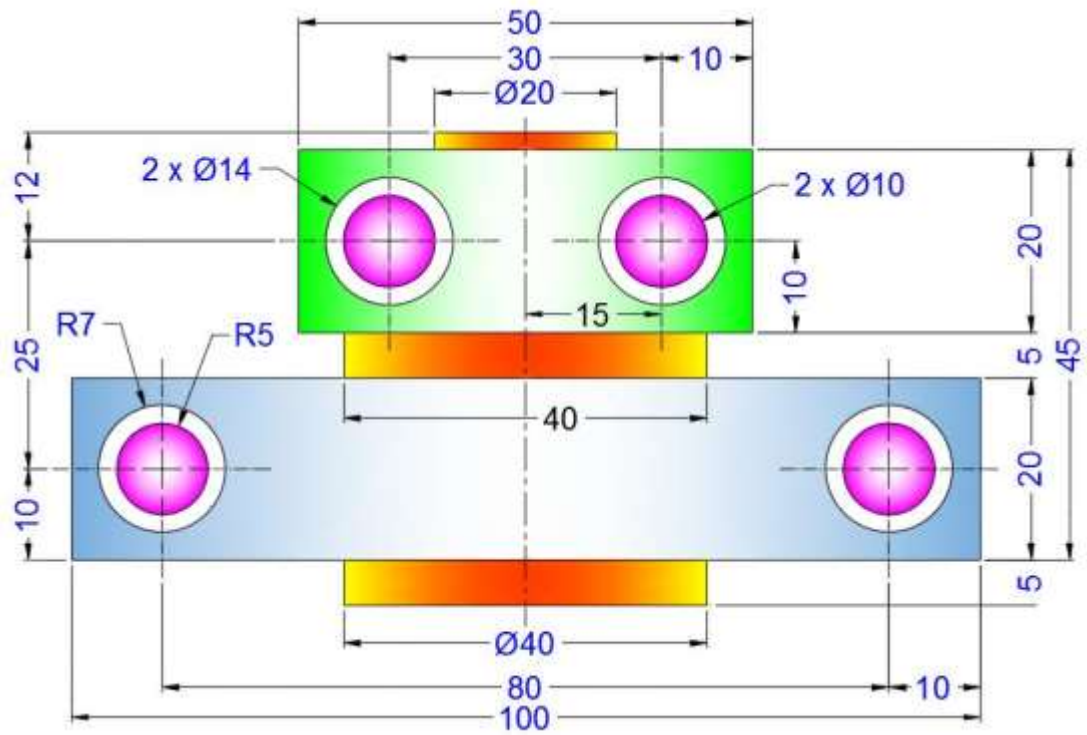
## EX-113



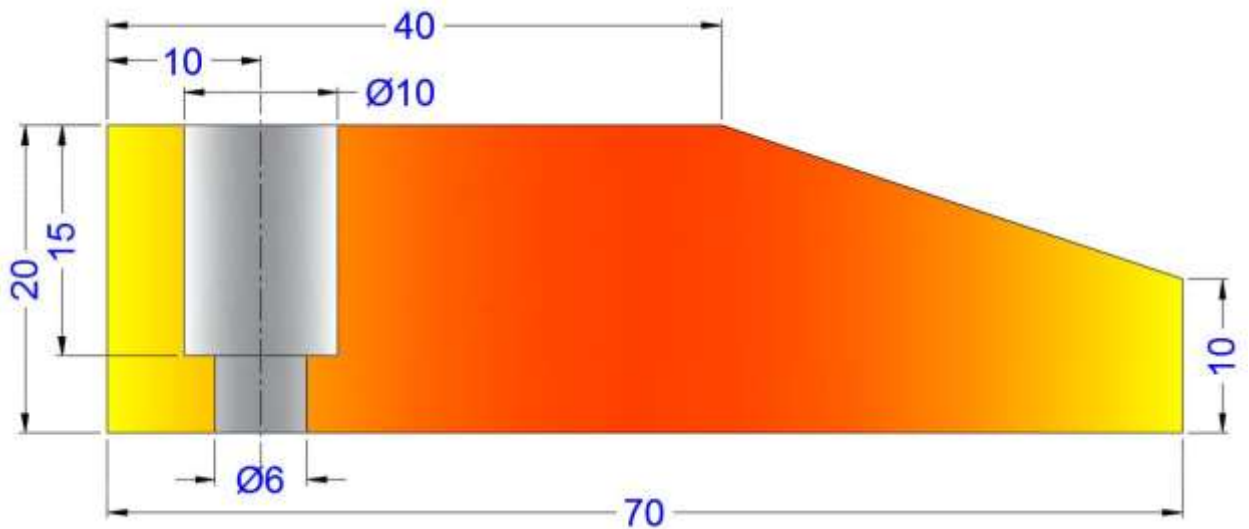
## EX-114



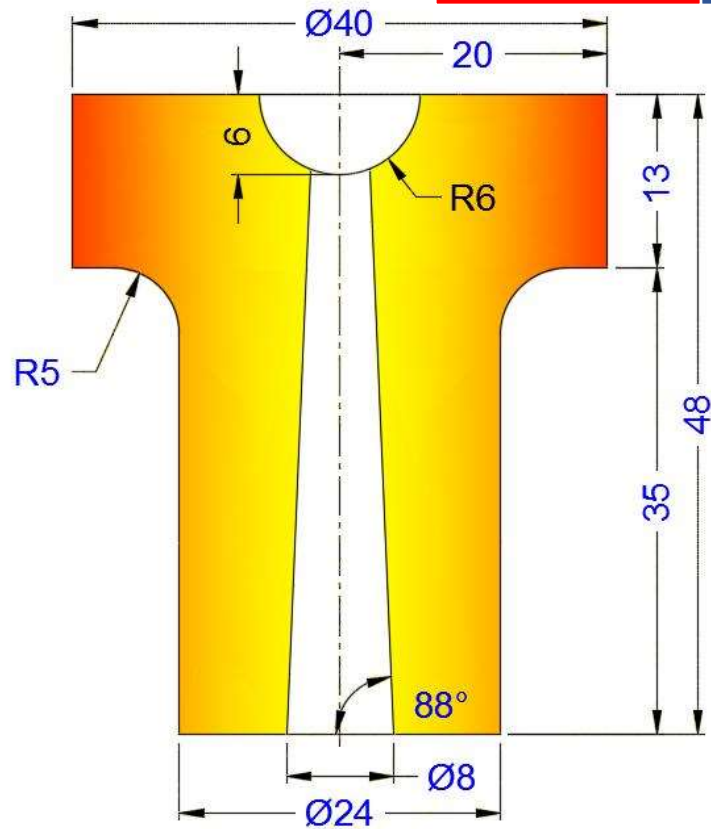
EX-115



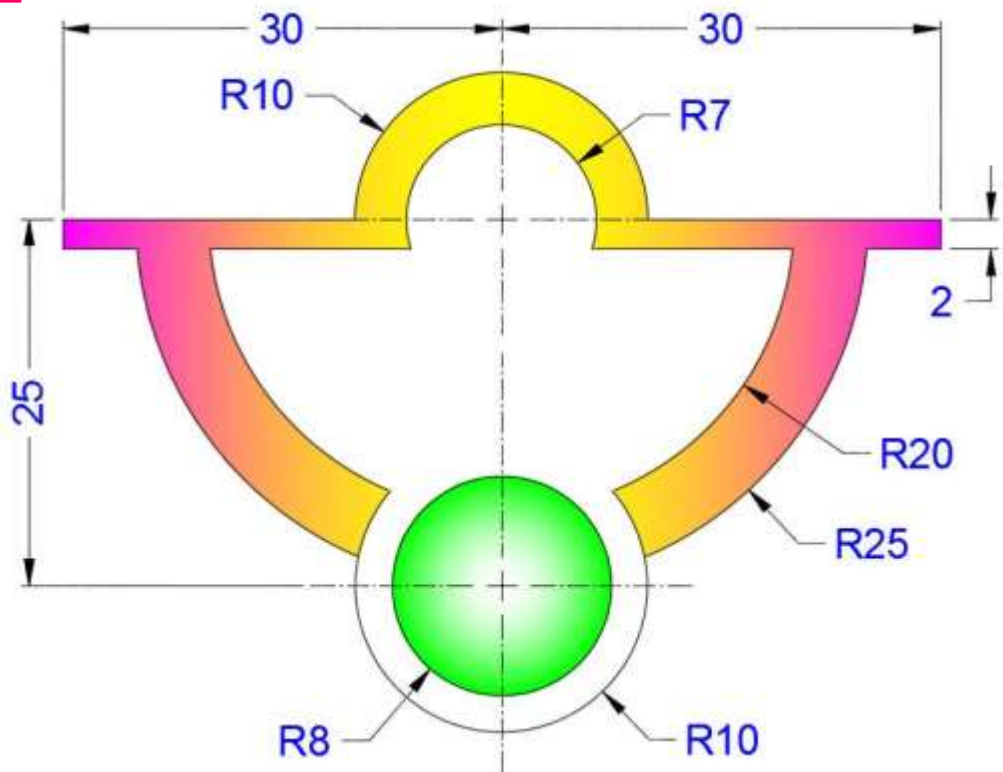
EX-116



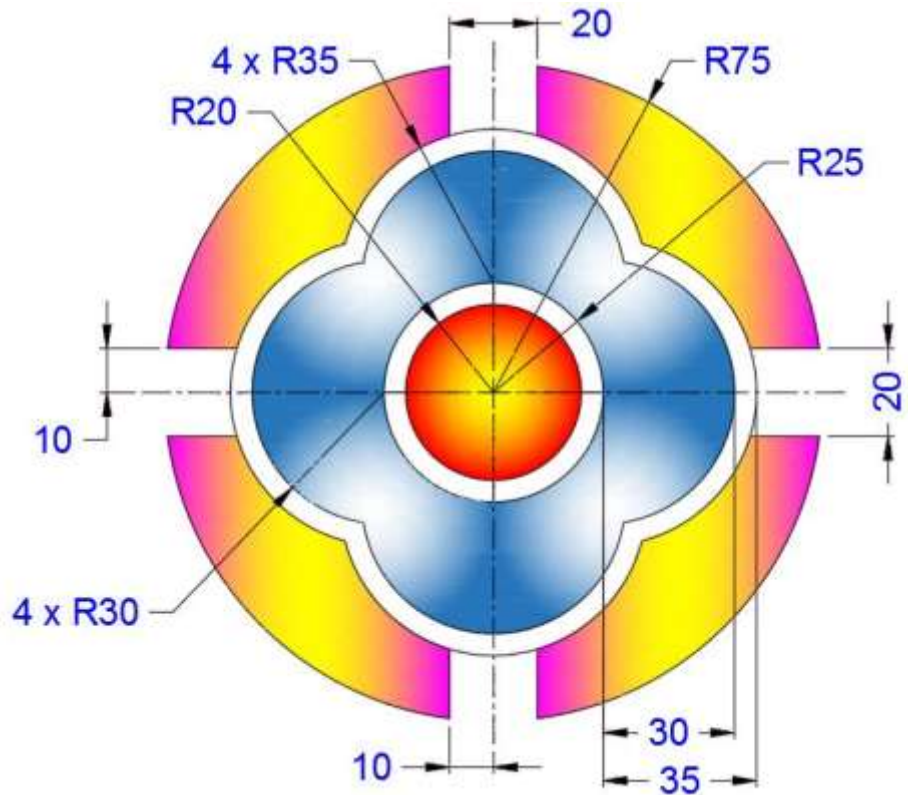
EX-117



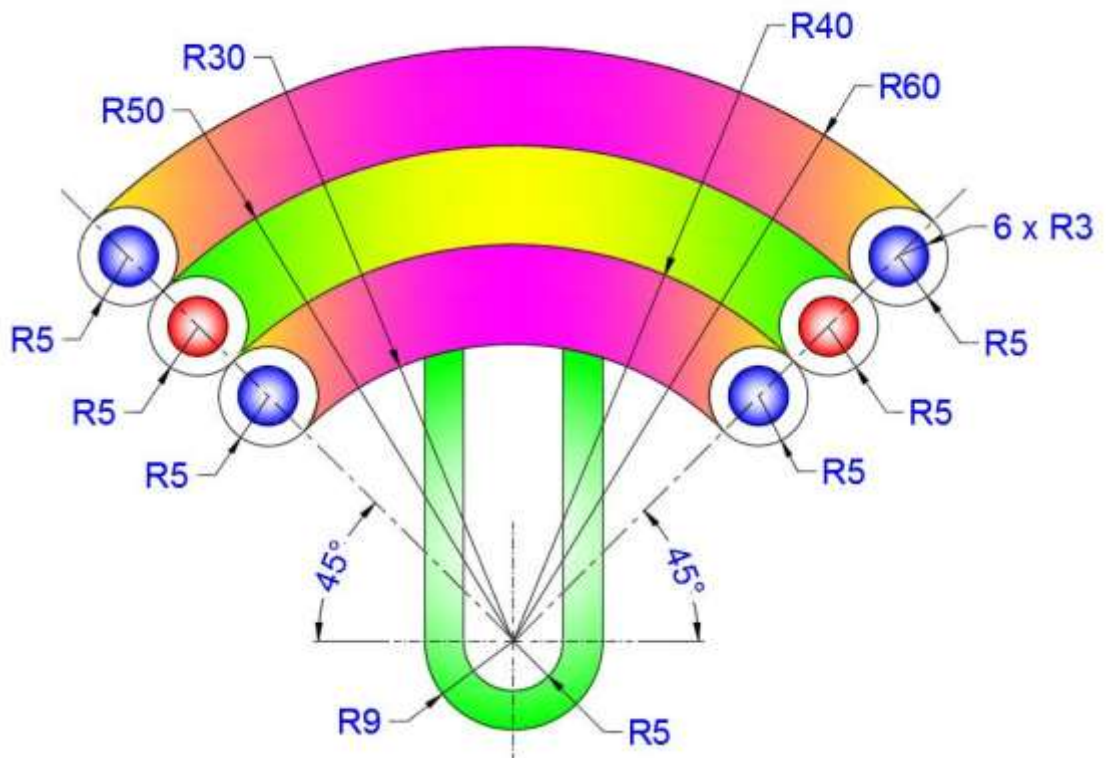
EX-118



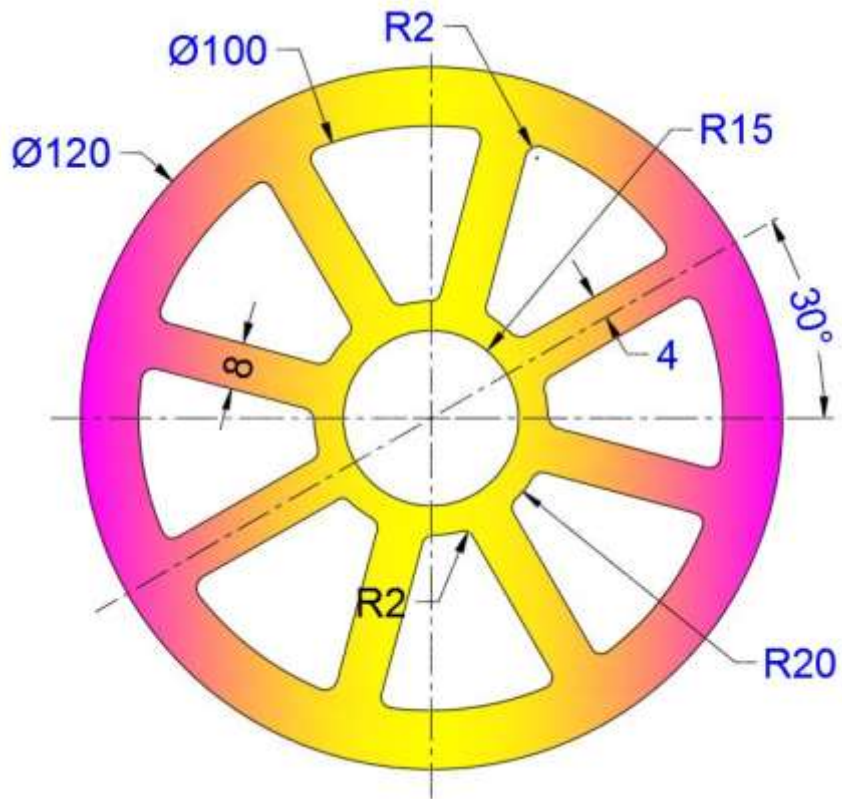
EX-119



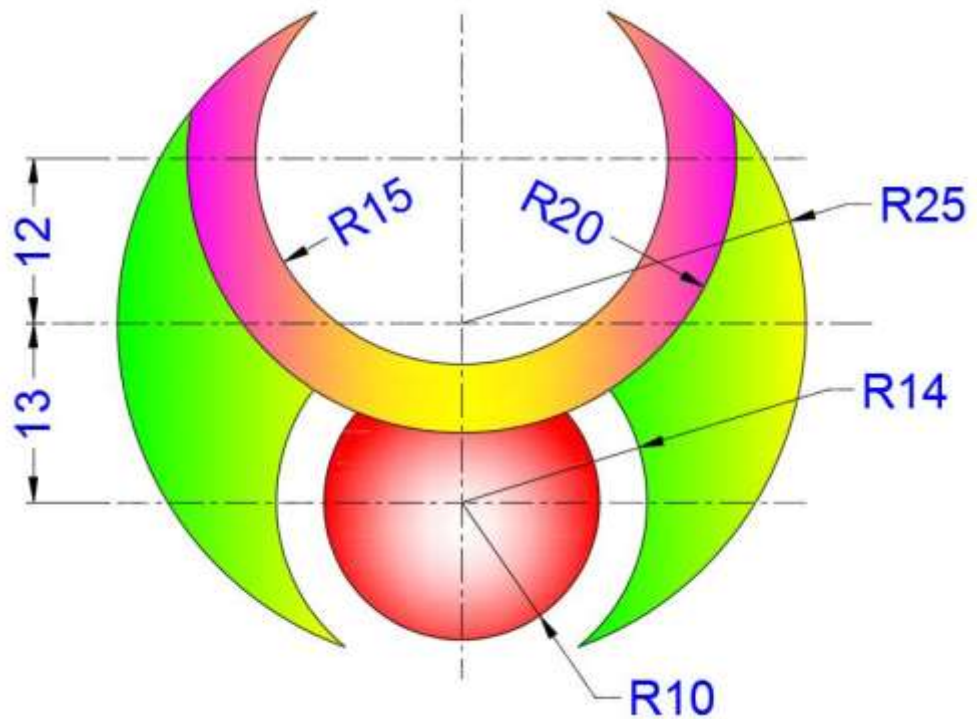
EX-120



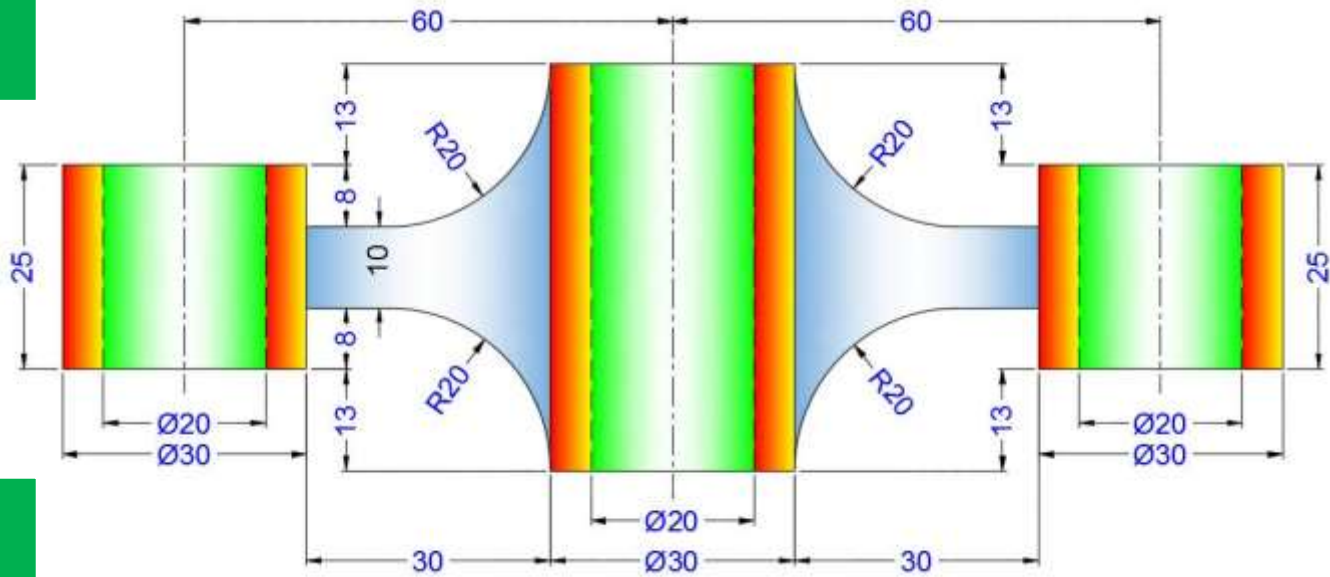
EX-121



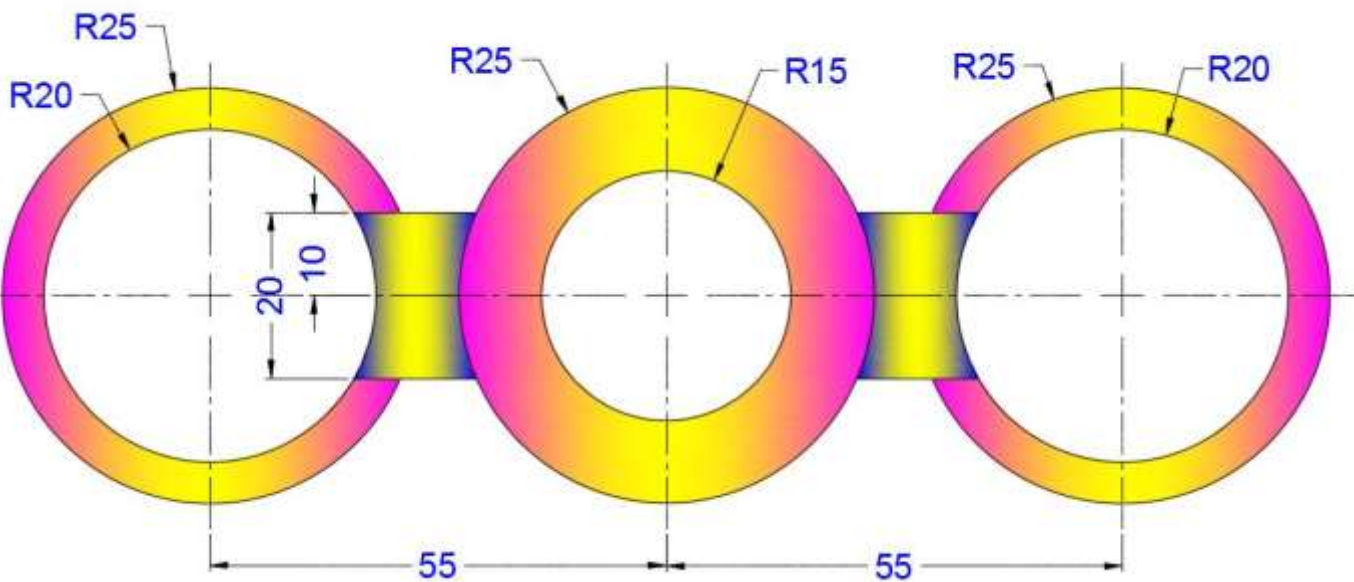
EX-122



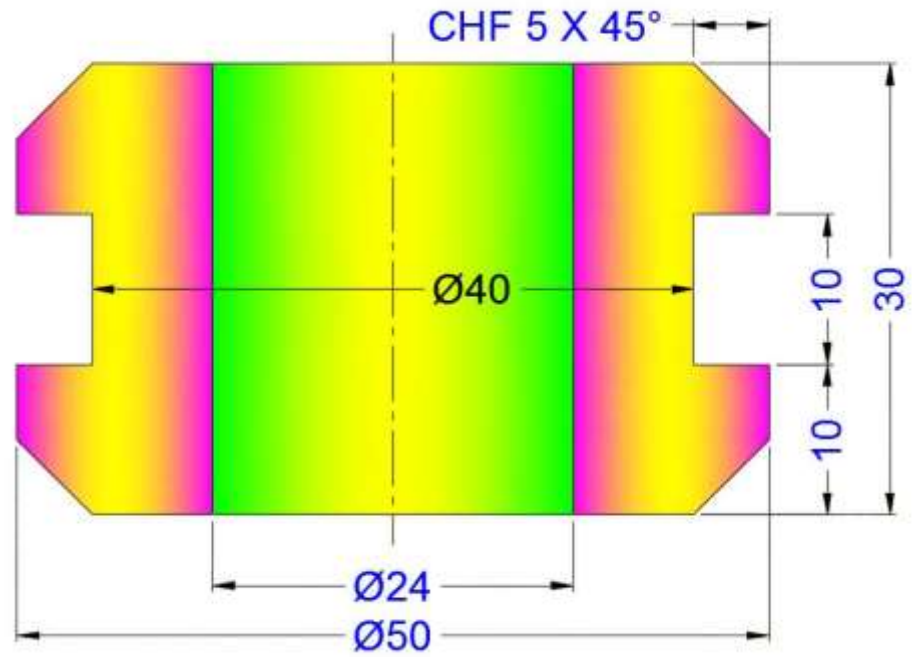
## EX-123



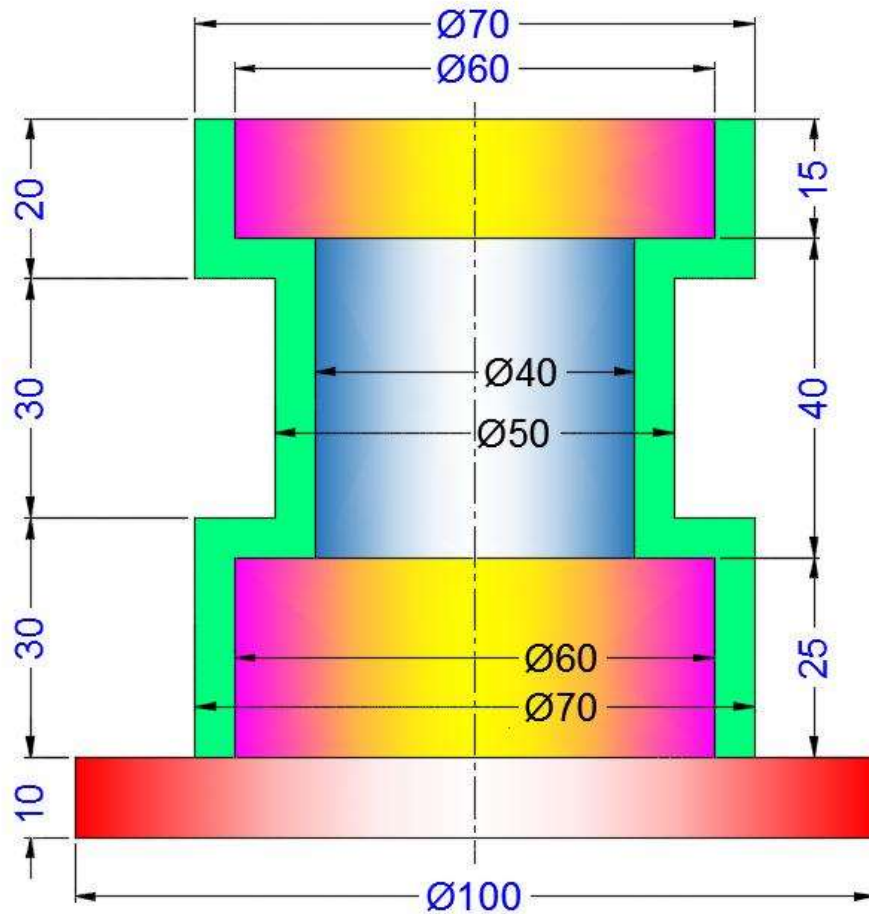
## EX-124



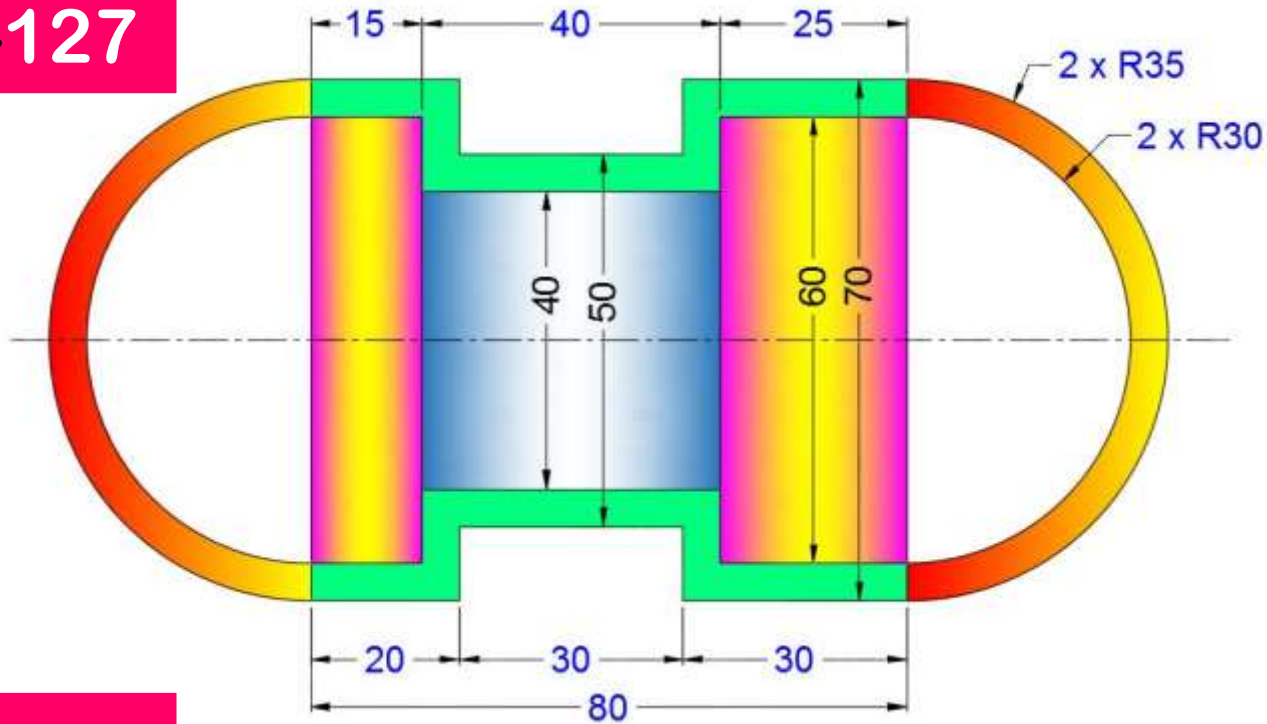
EX-125



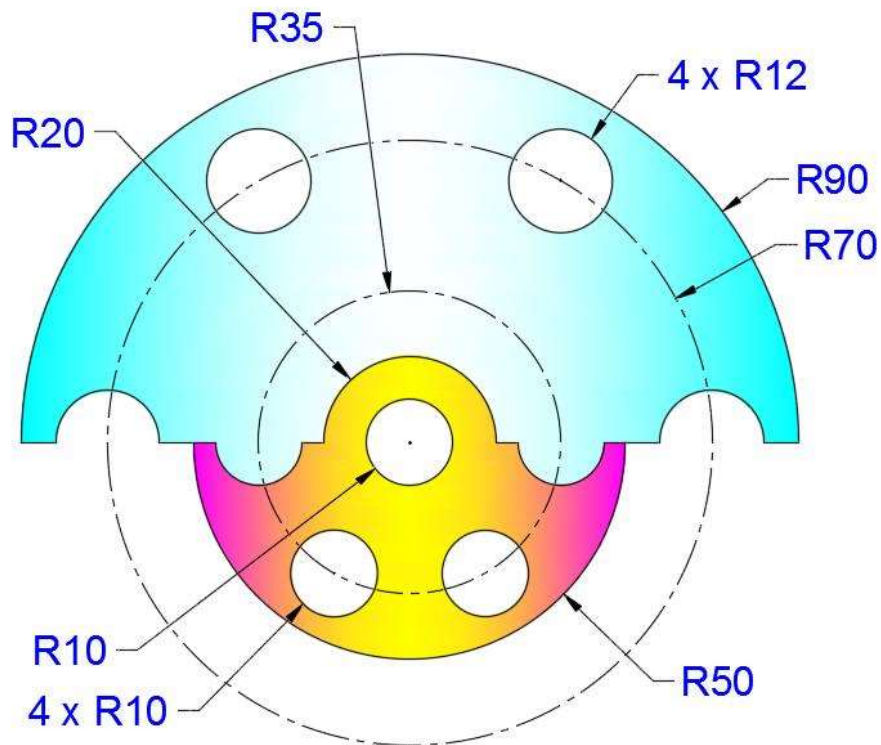
EX-126



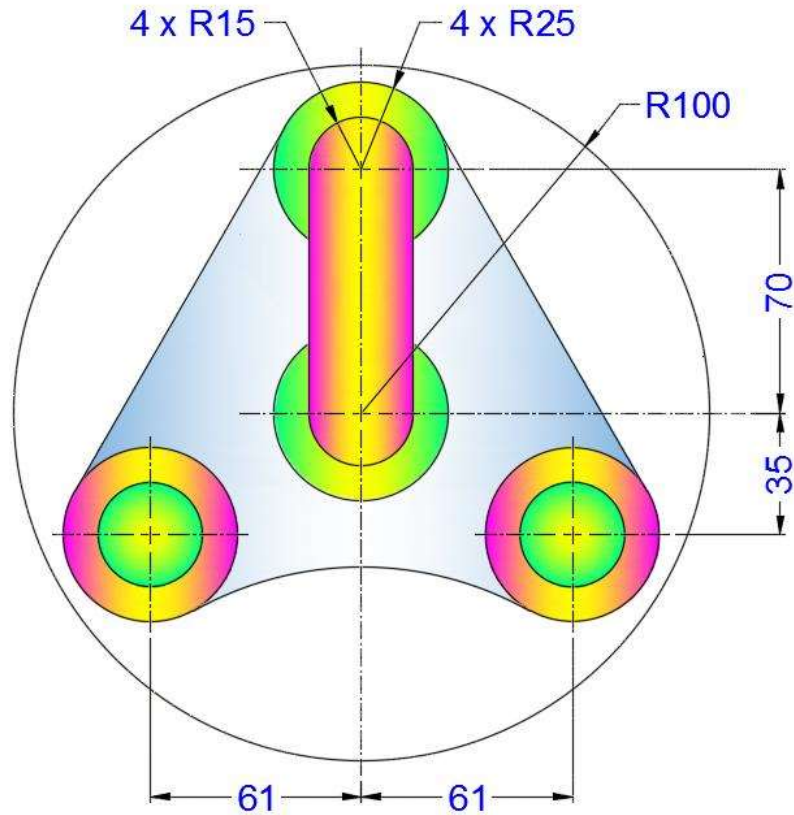
EX-127



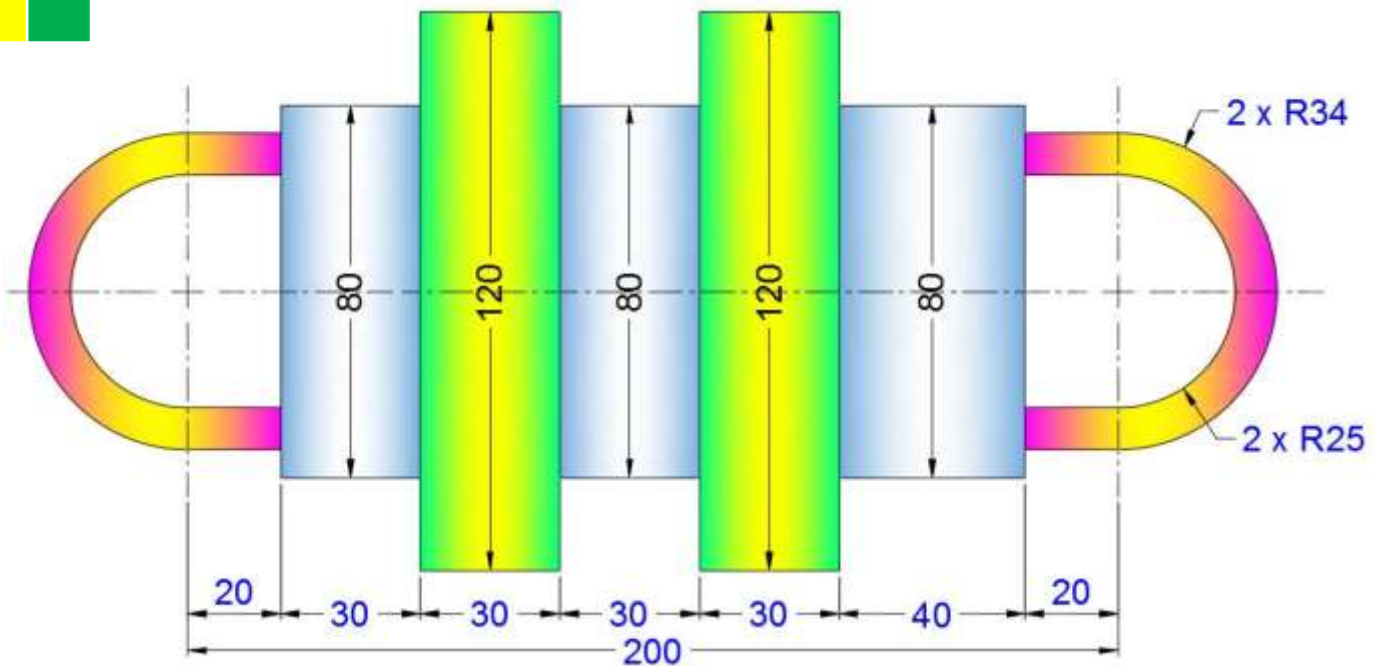
EX-128



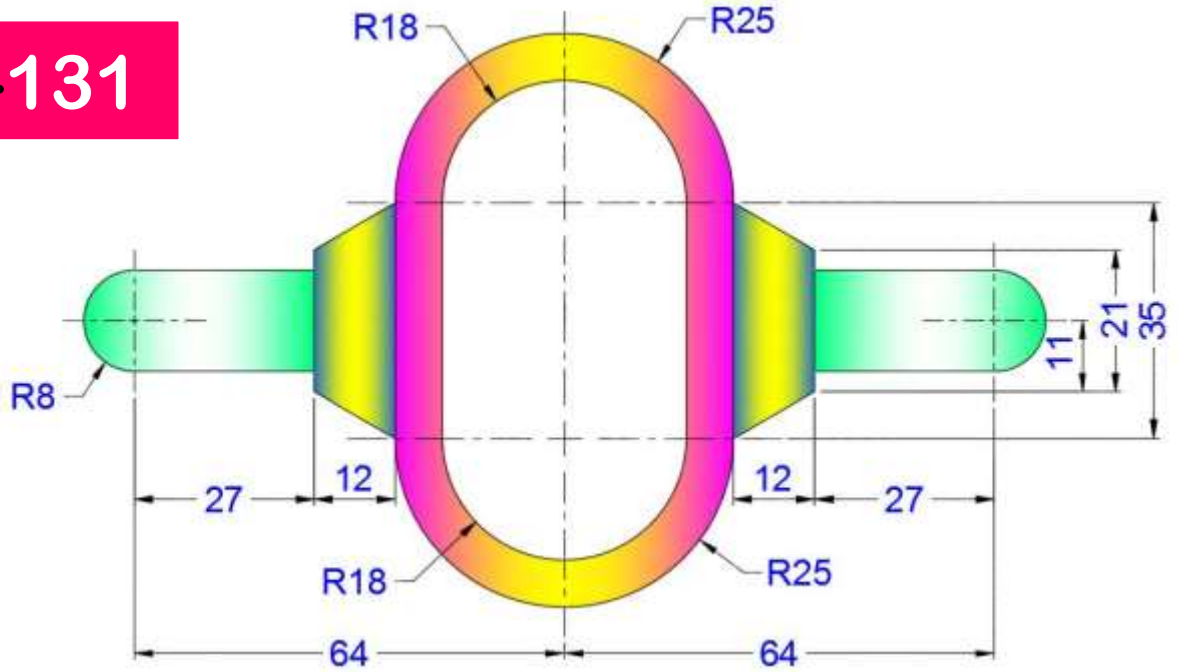
EX-129



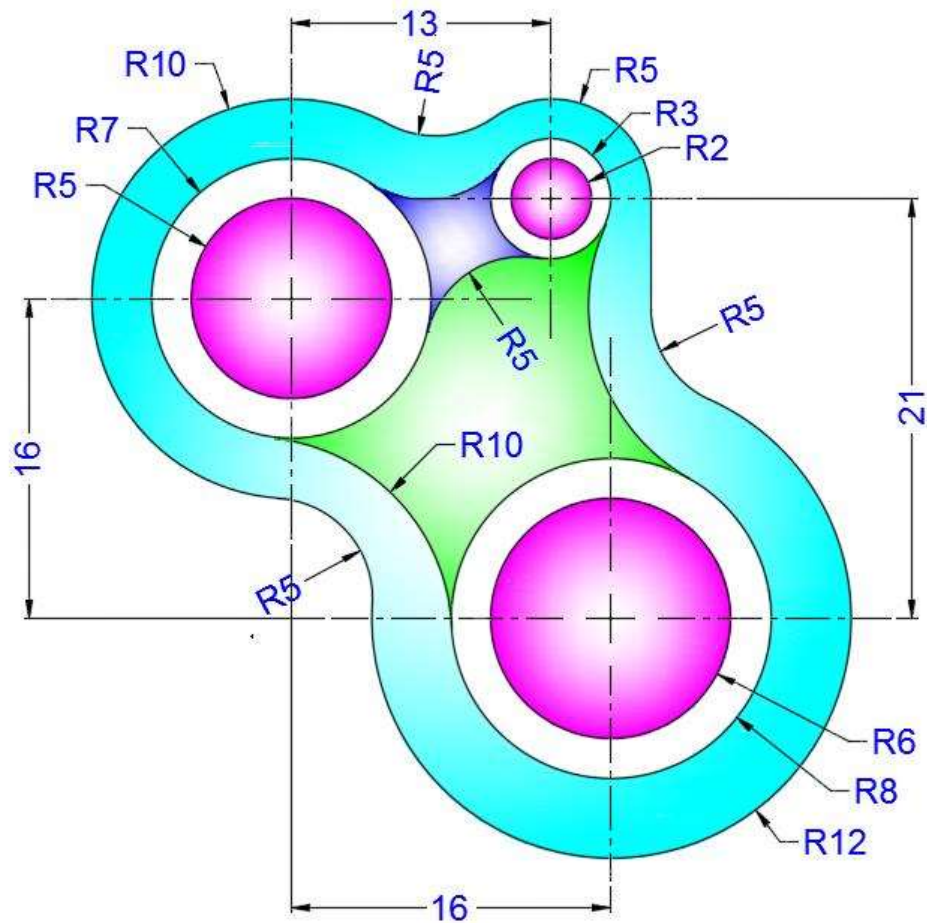
EX-130



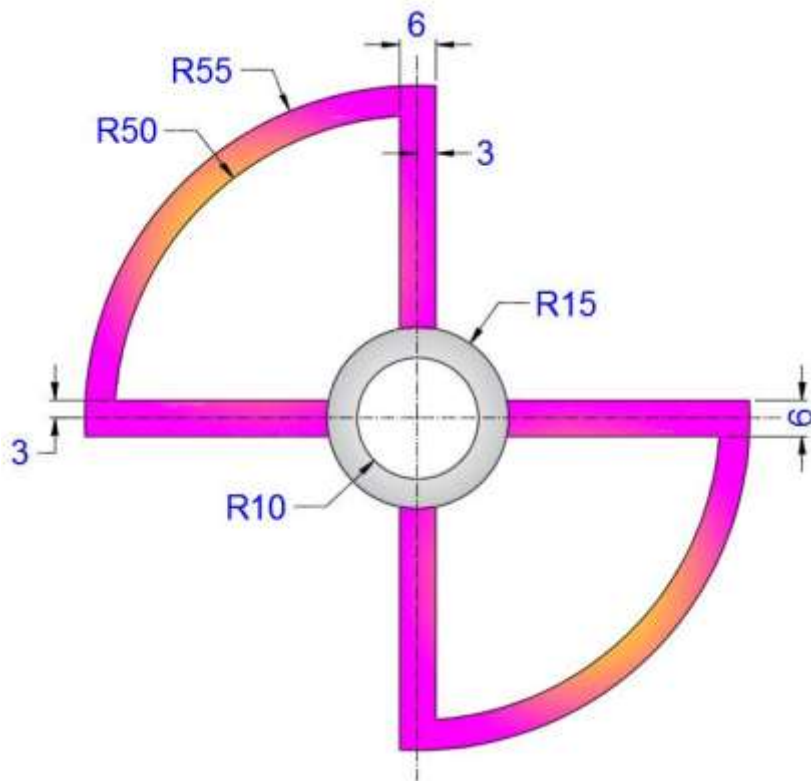
## EX-131



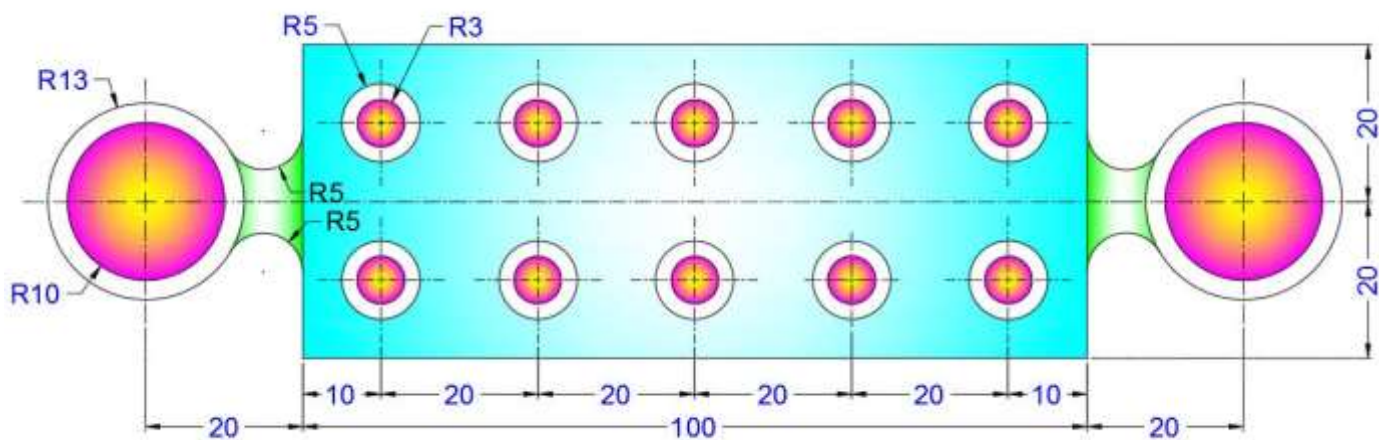
## EX-132



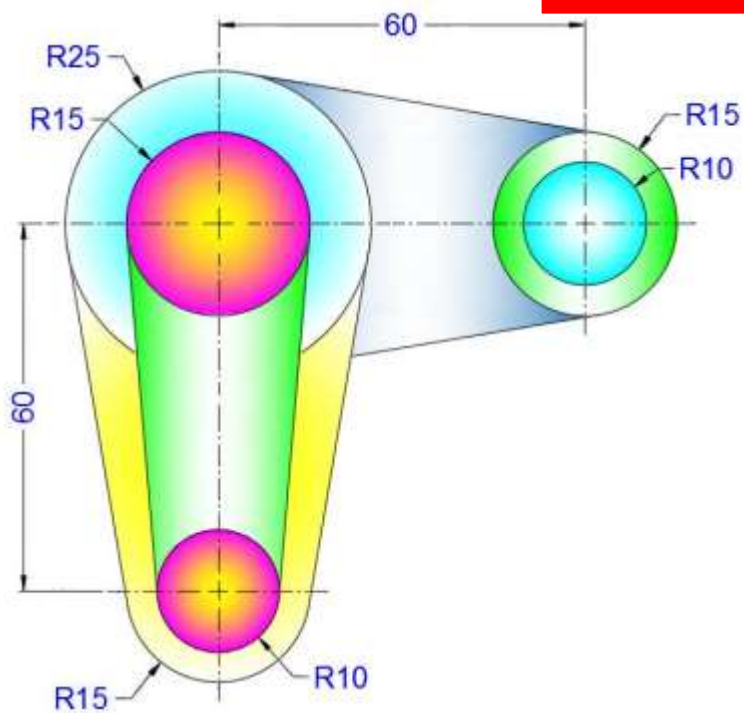
EX-133



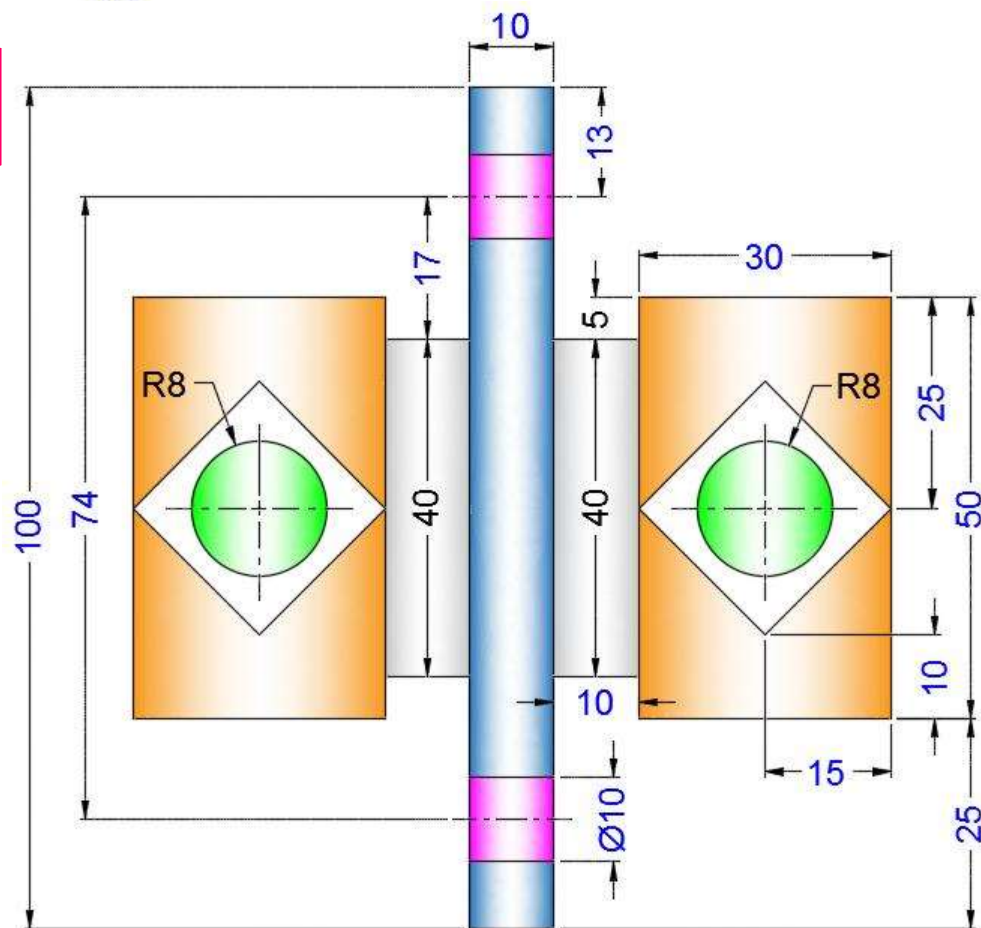
EX-134



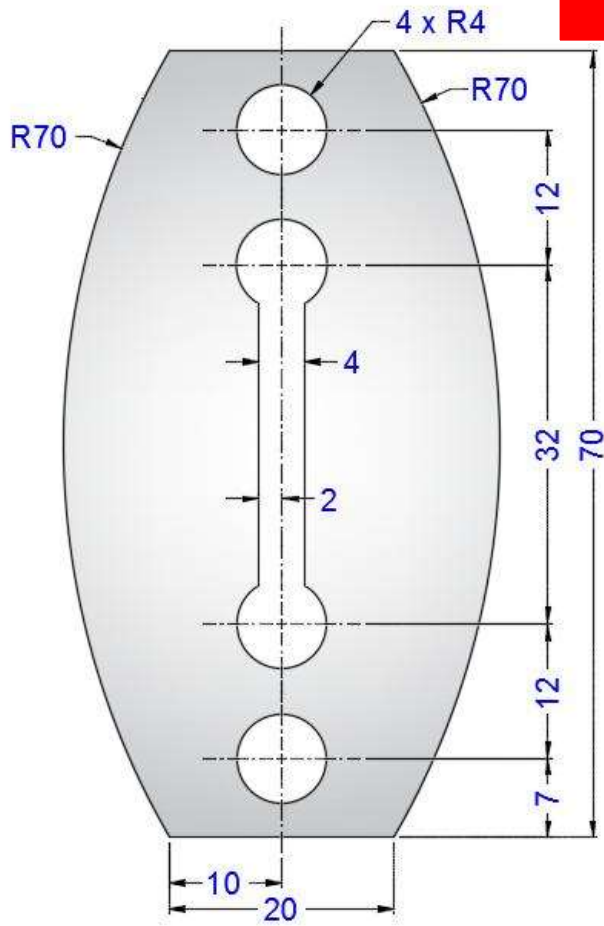
EX-135



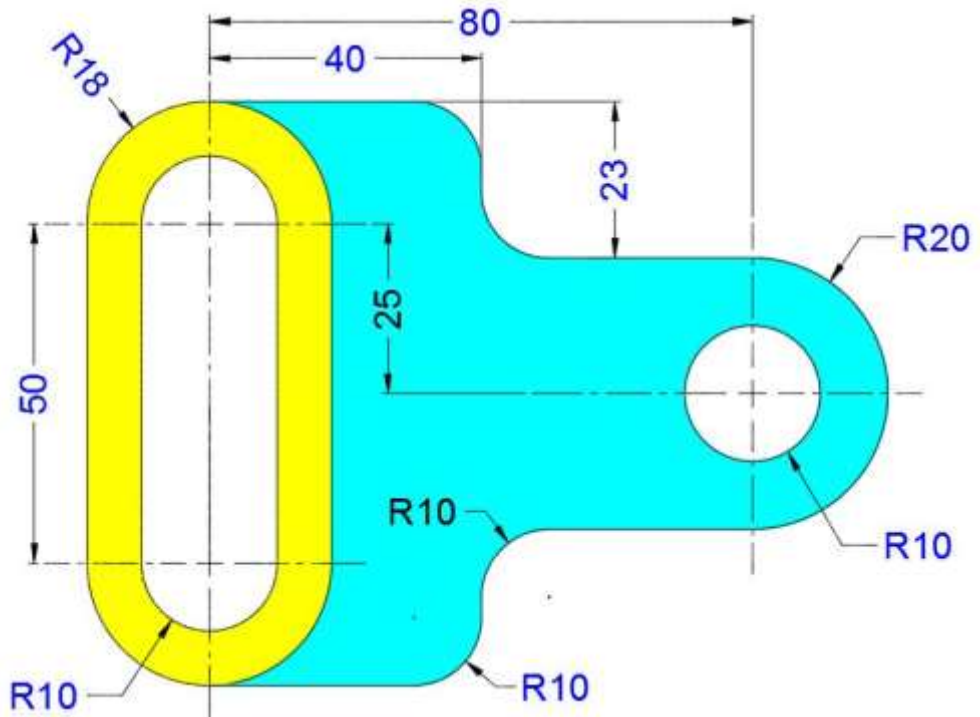
EX-136



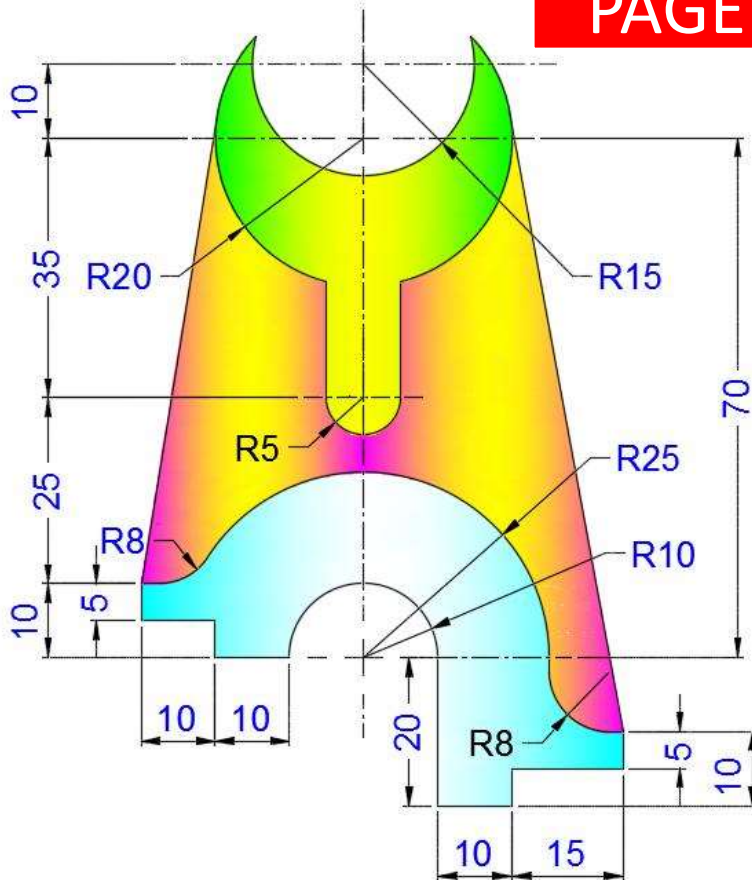
EX-137



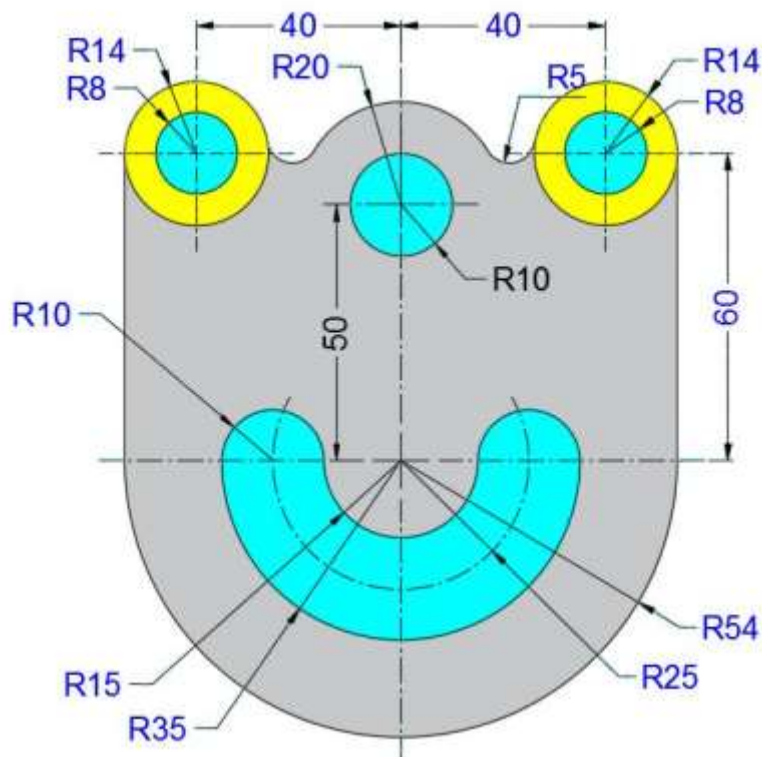
EX-138



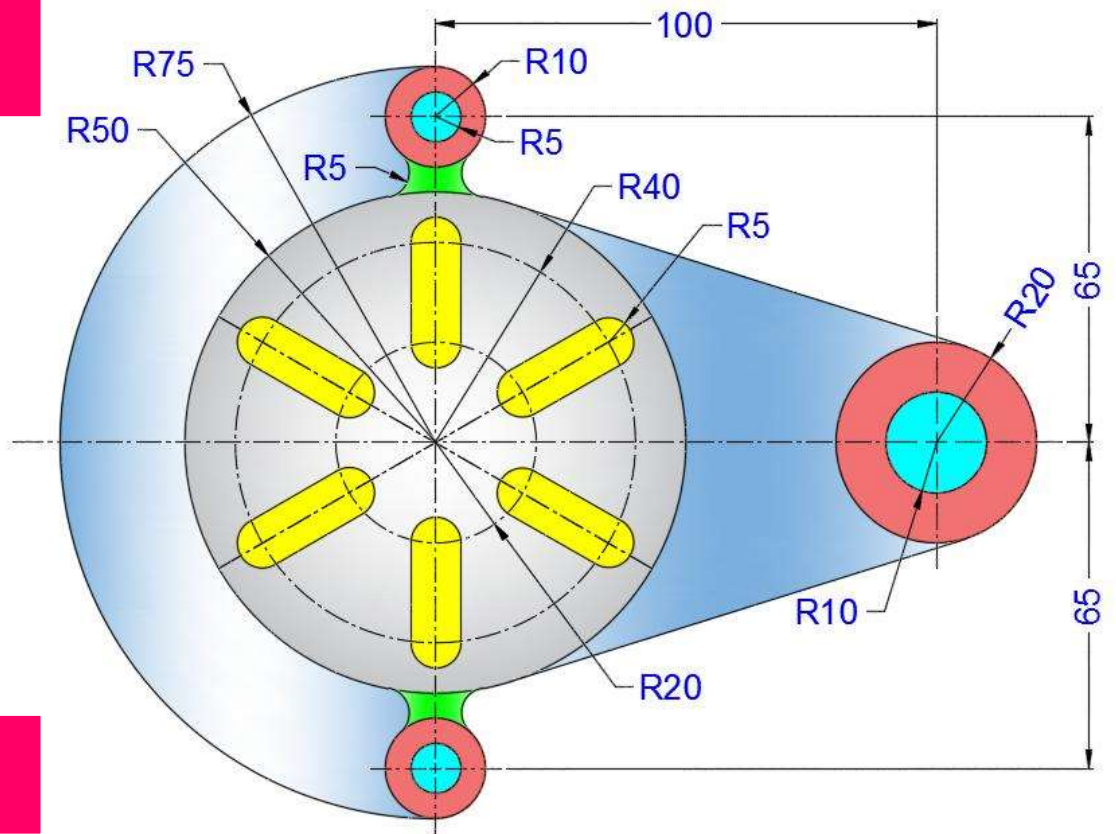
EX-139



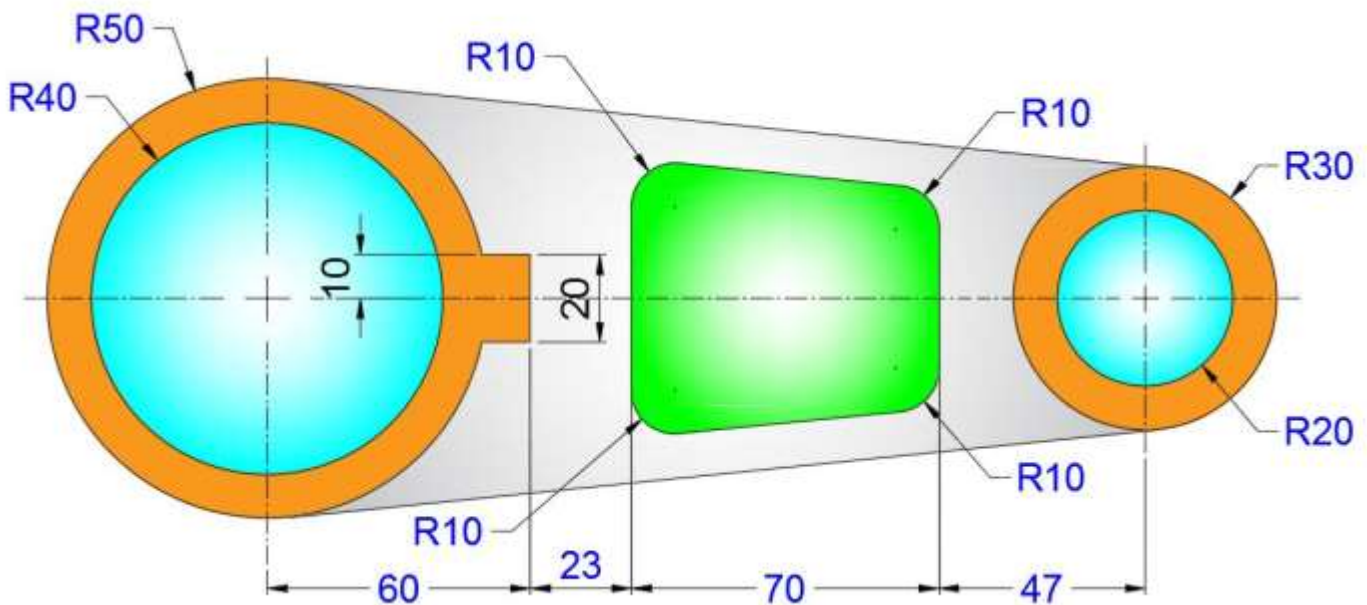
EX-140



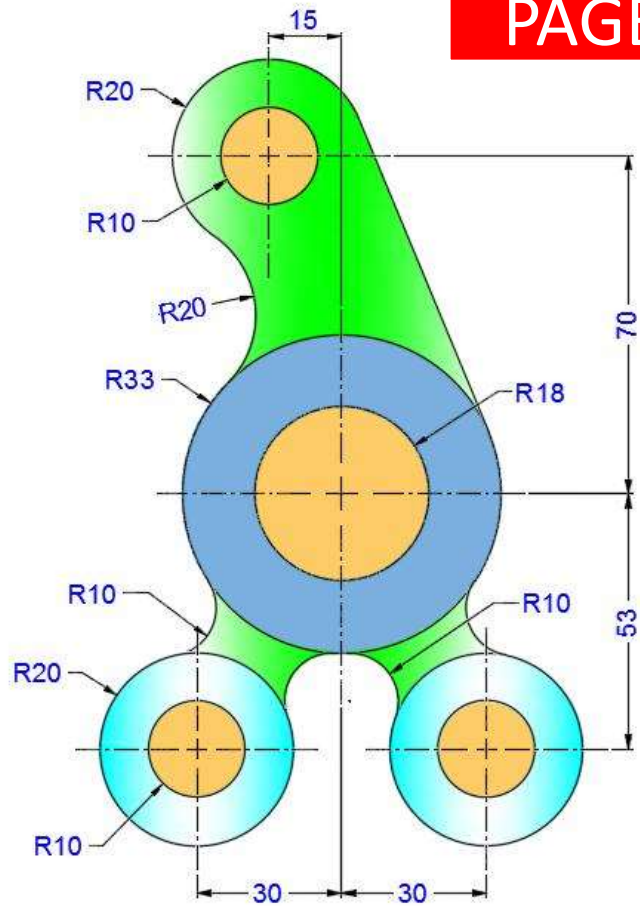
EX-141



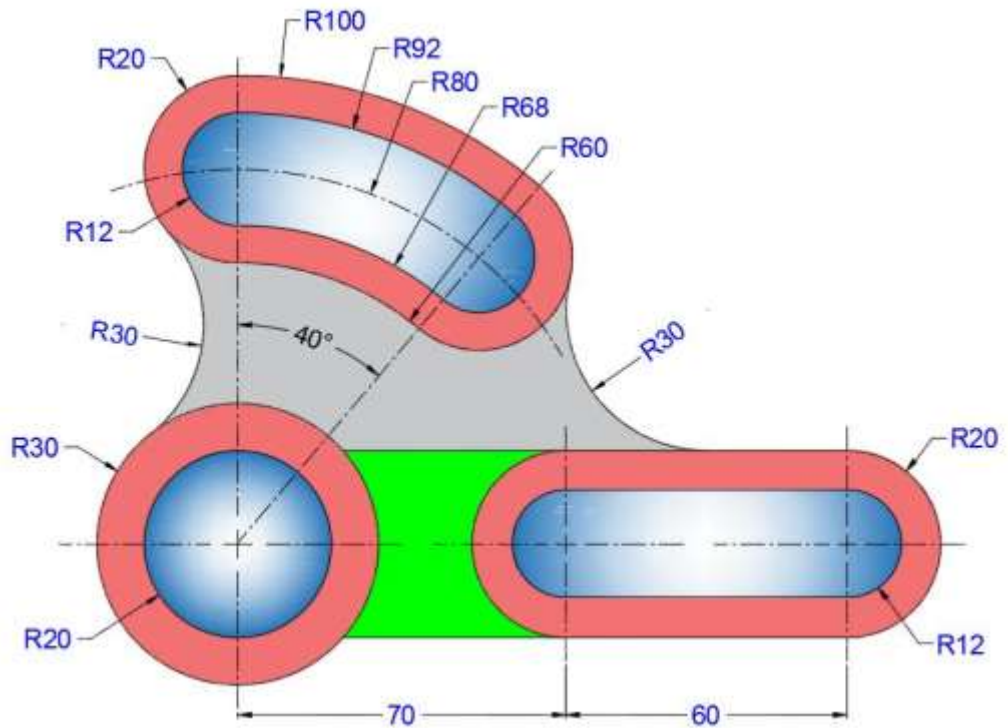
EX-142



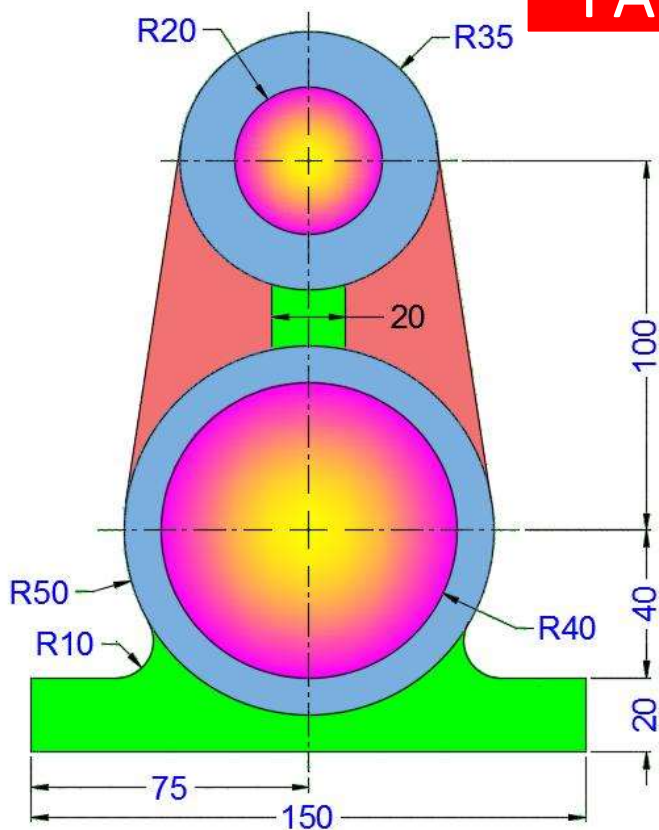
EX-143



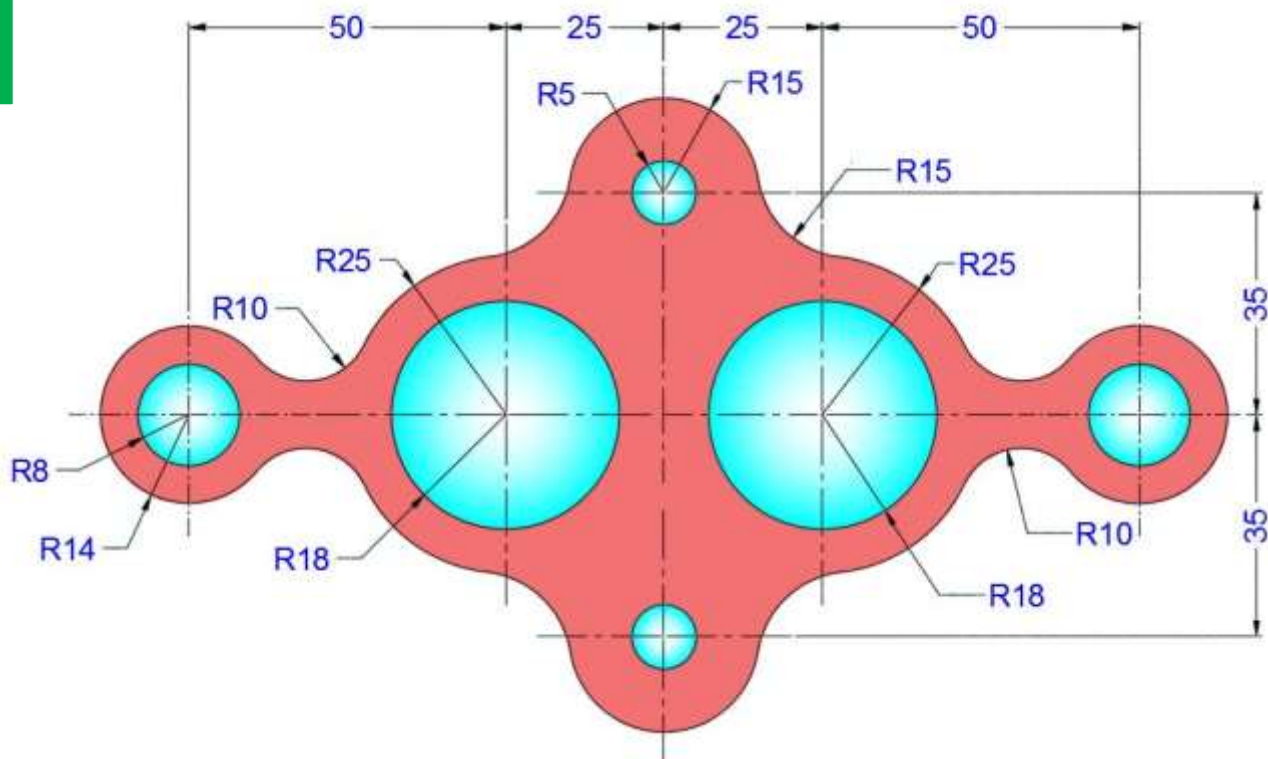
EX-144



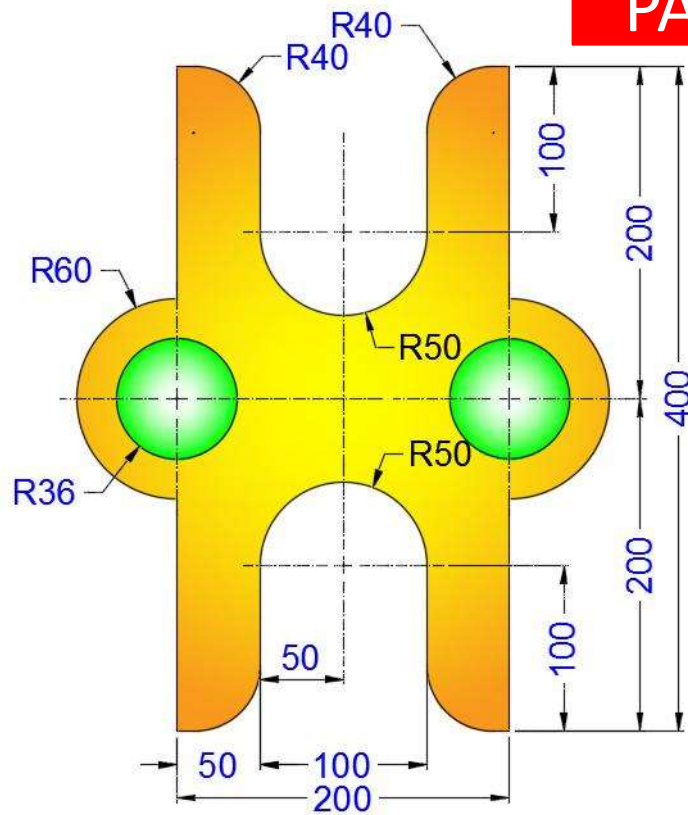
EX-145



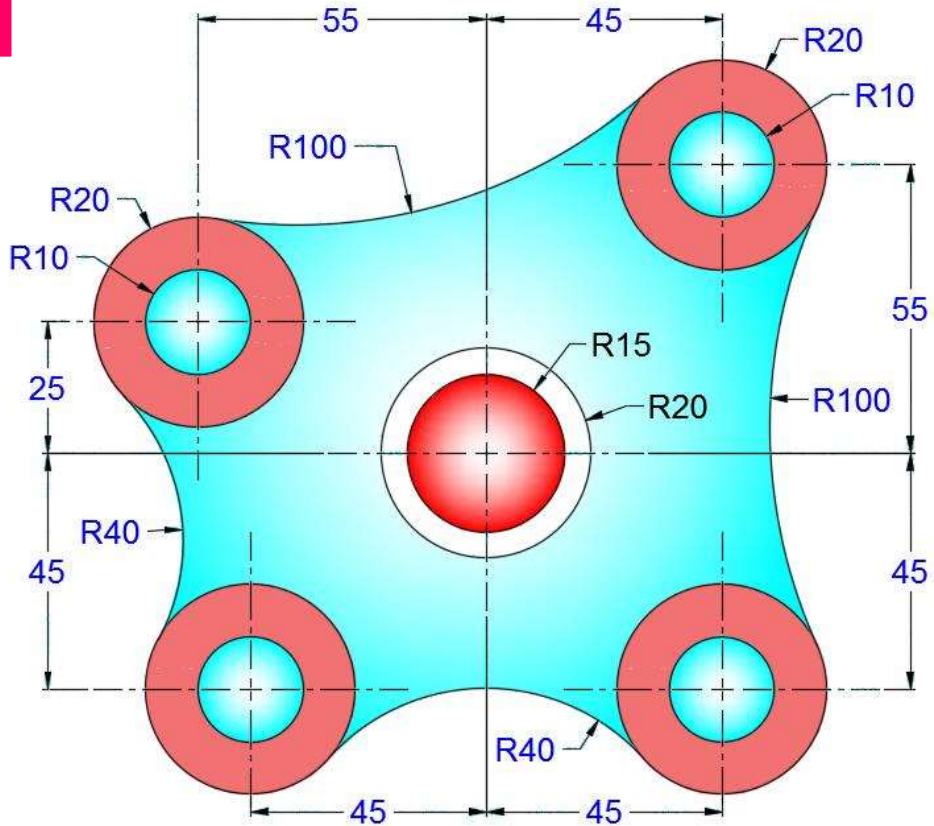
EX-146



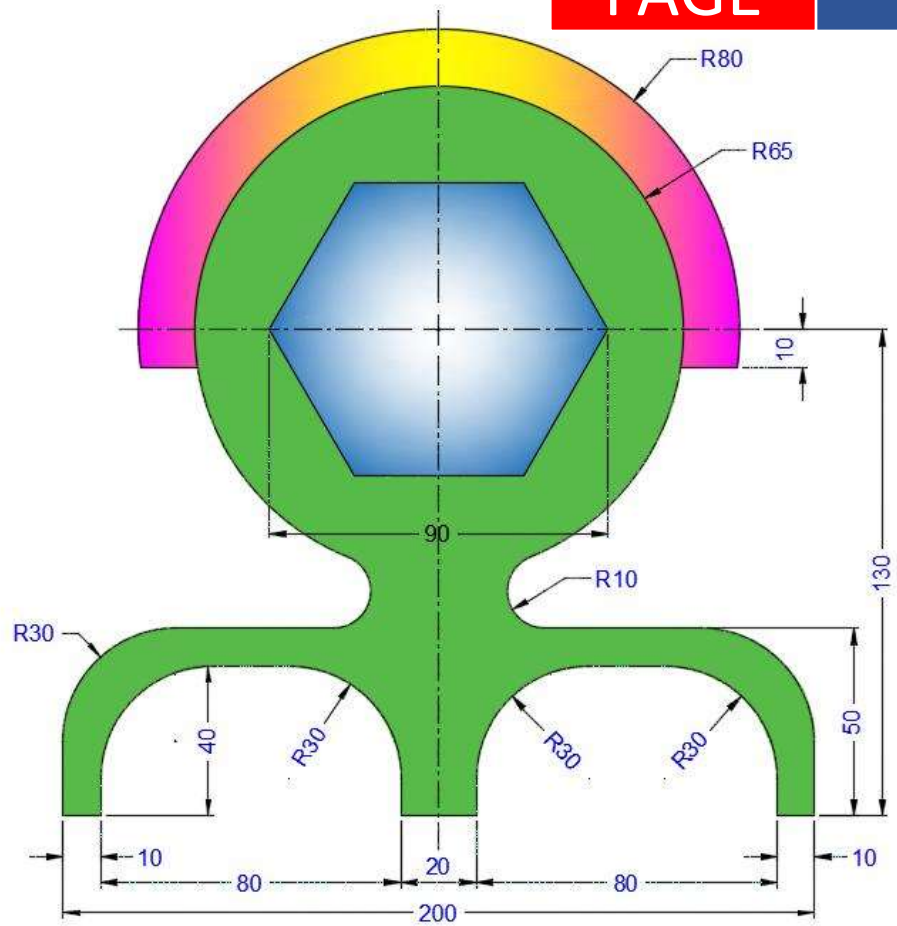
EX-147



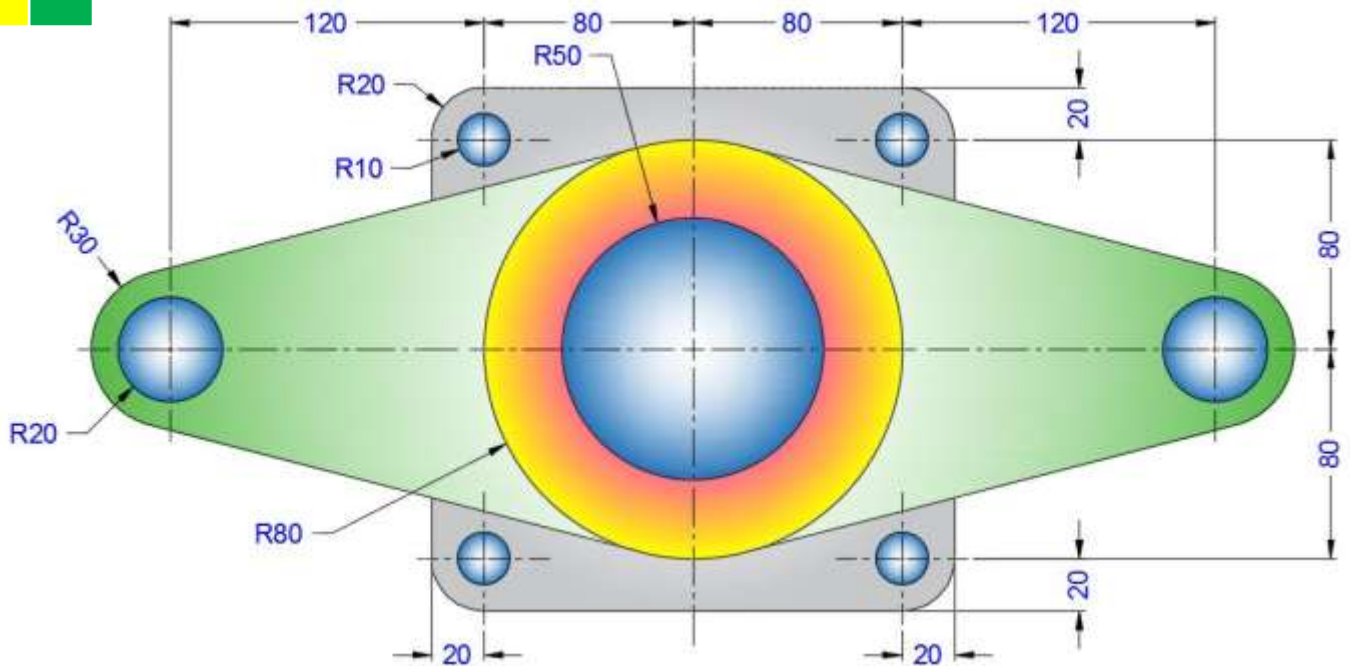
EX-148



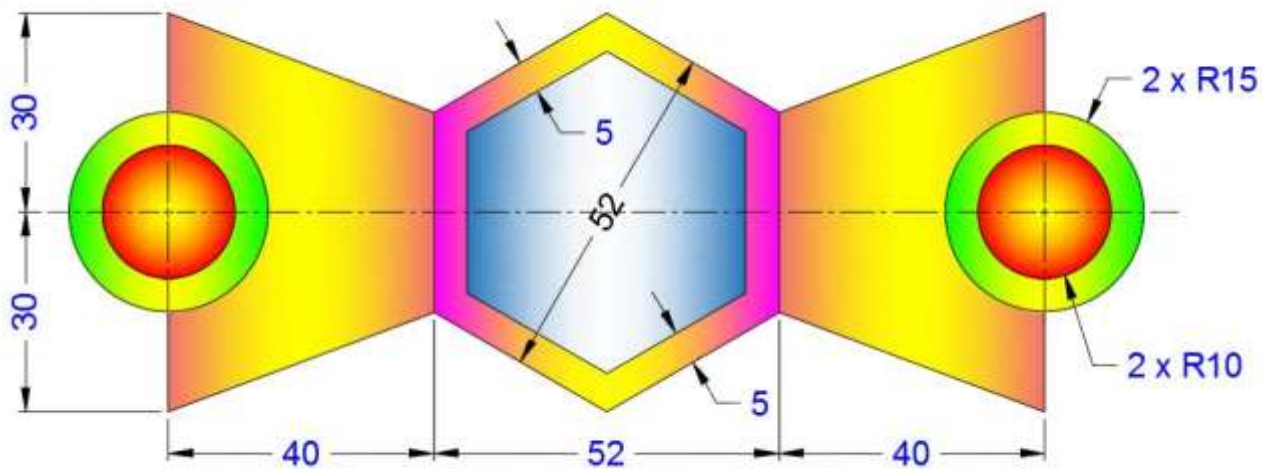
EX-149



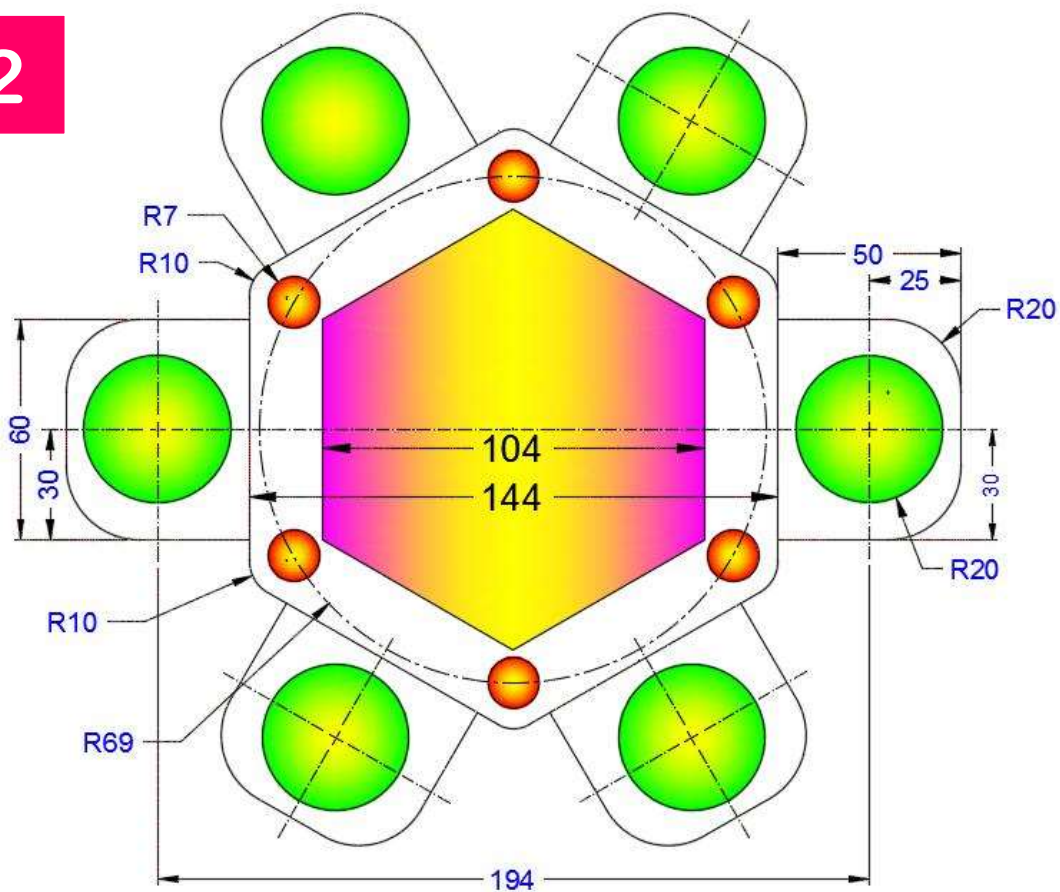
EX-150



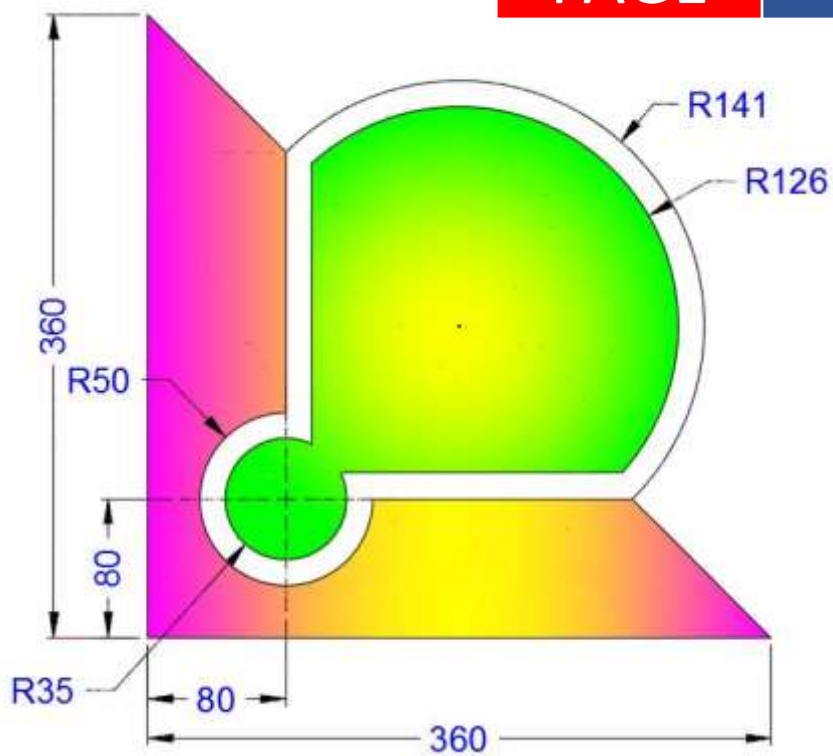
## EX-151



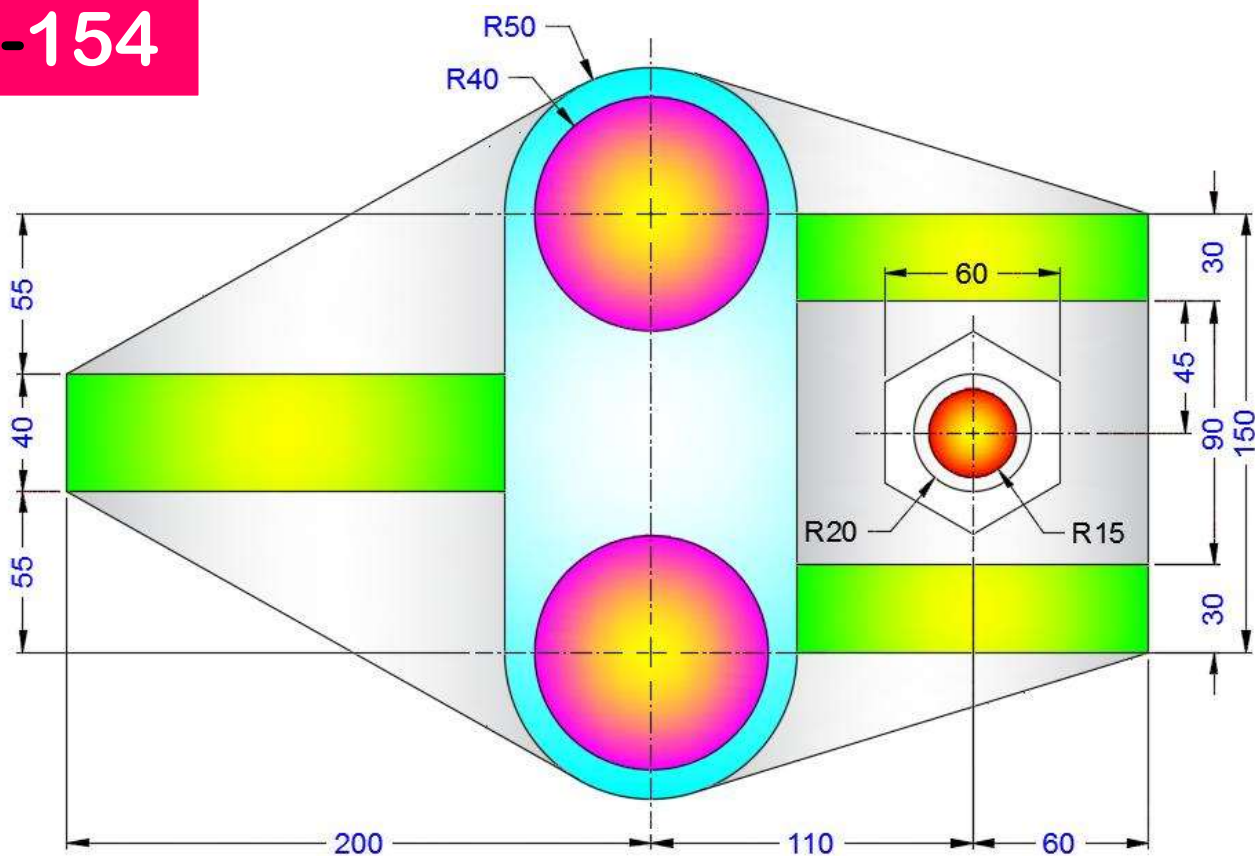
## EX-152



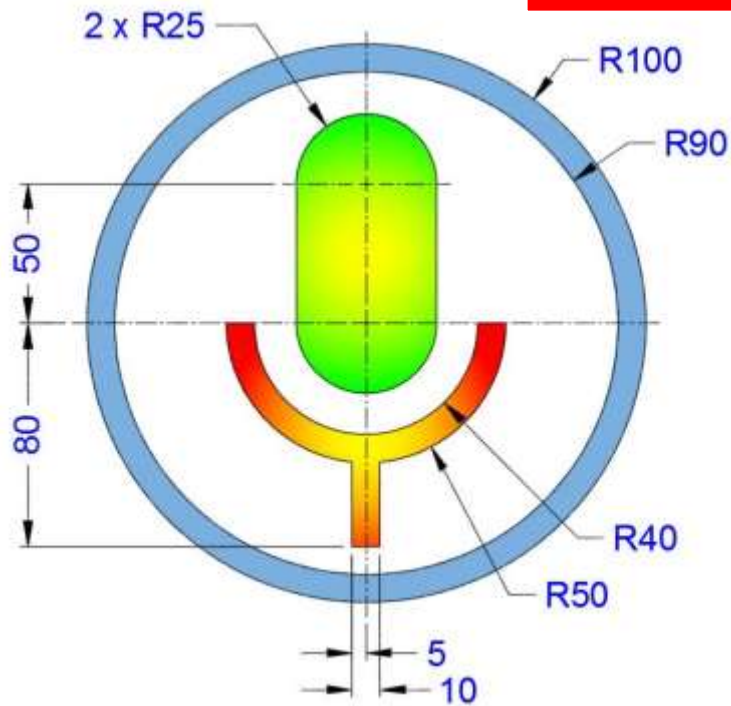
EX-153



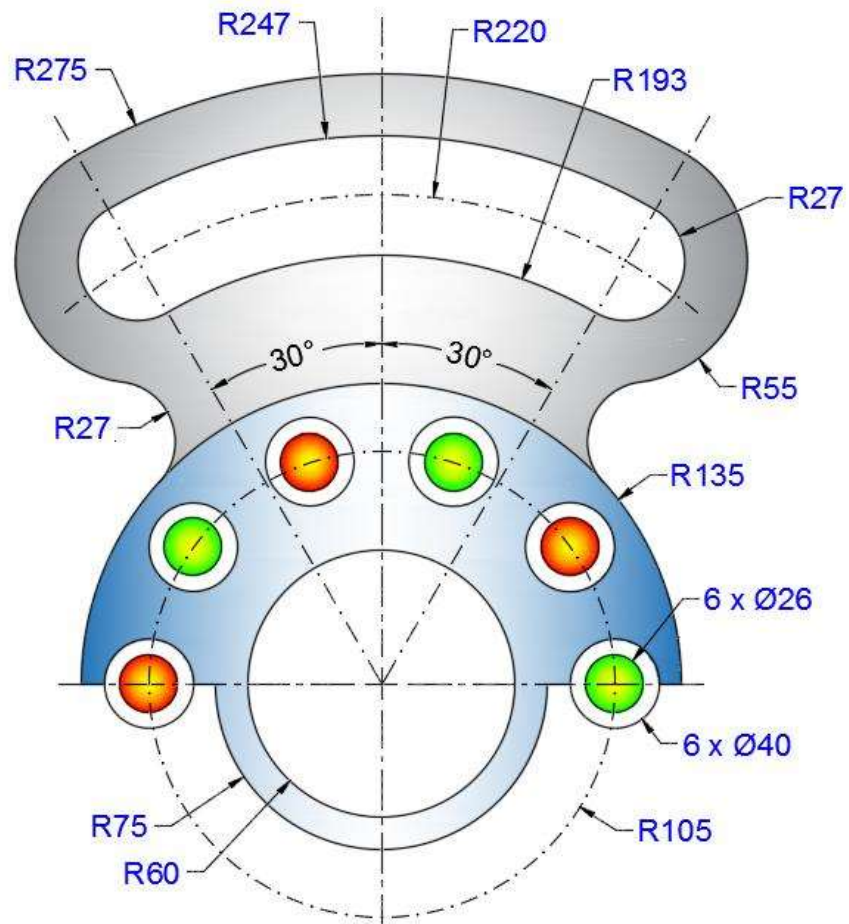
EX-154



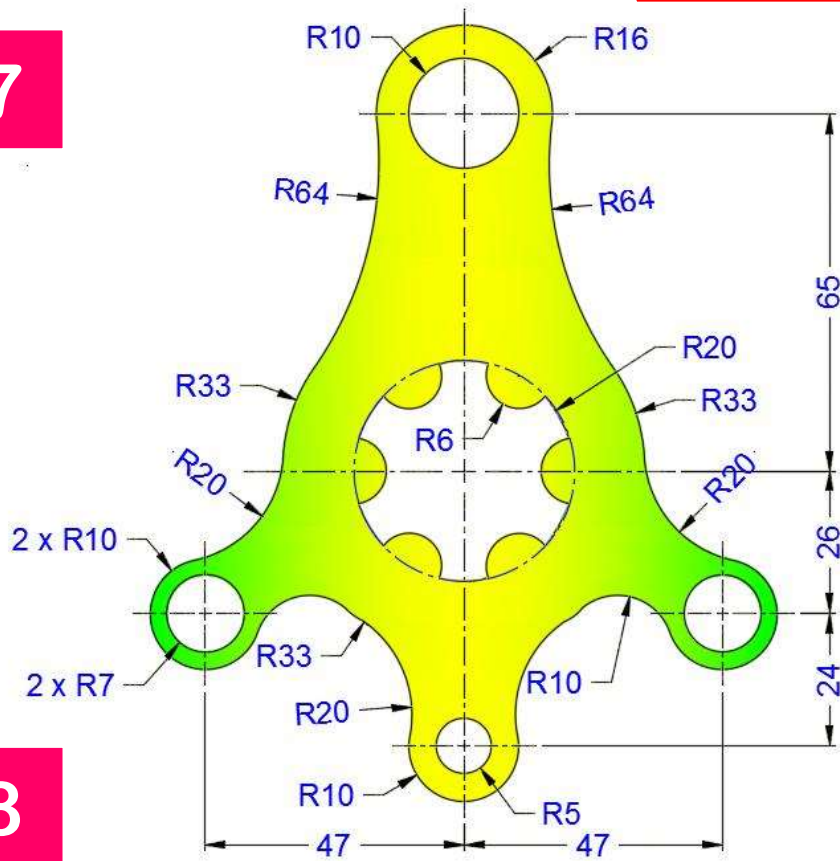
EX-155



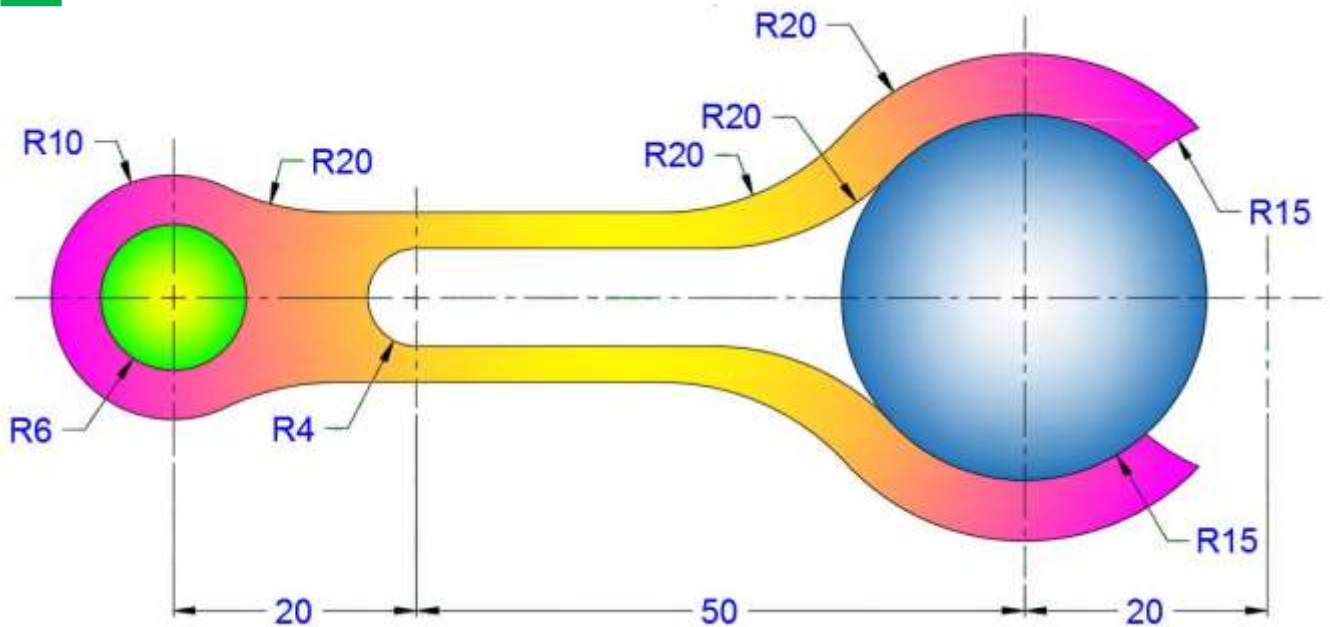
EX-156



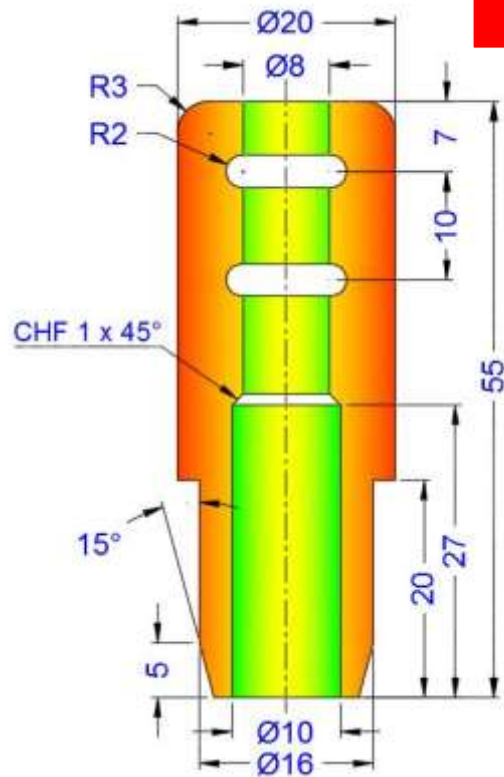
EX-157



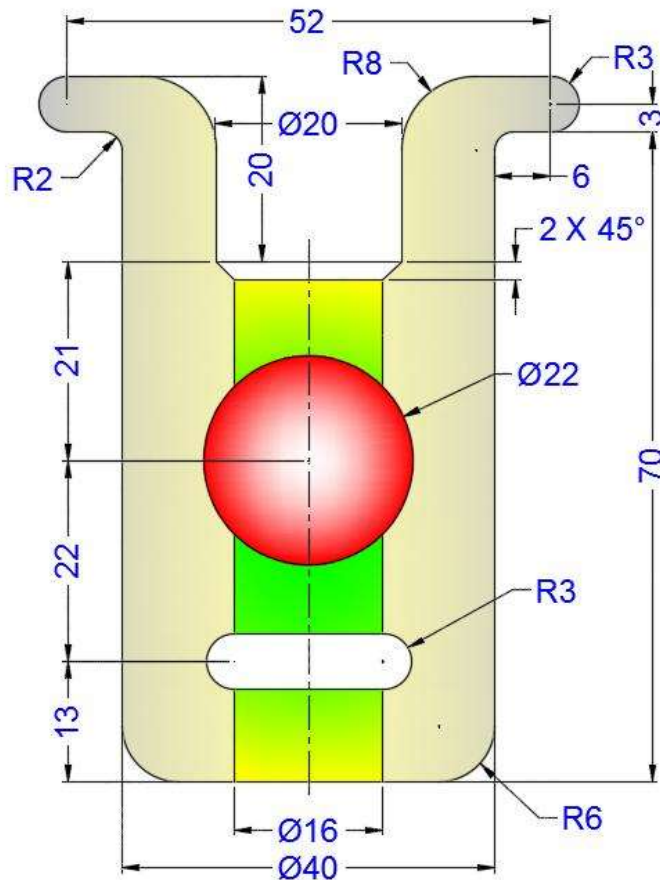
EX-158



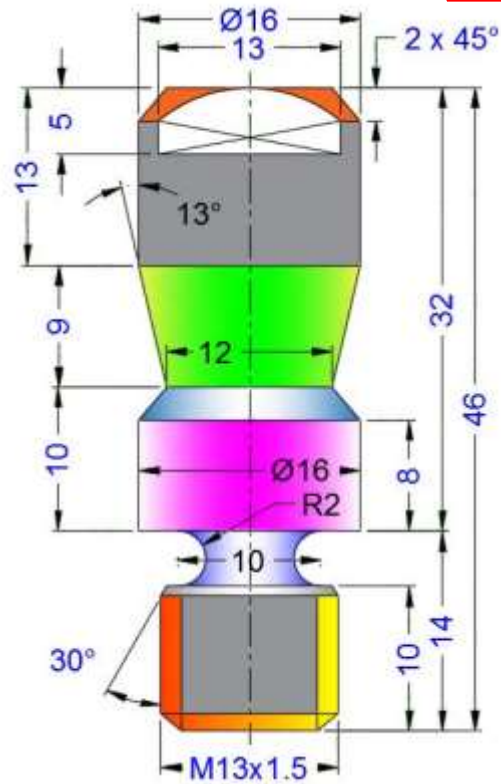
EX-159



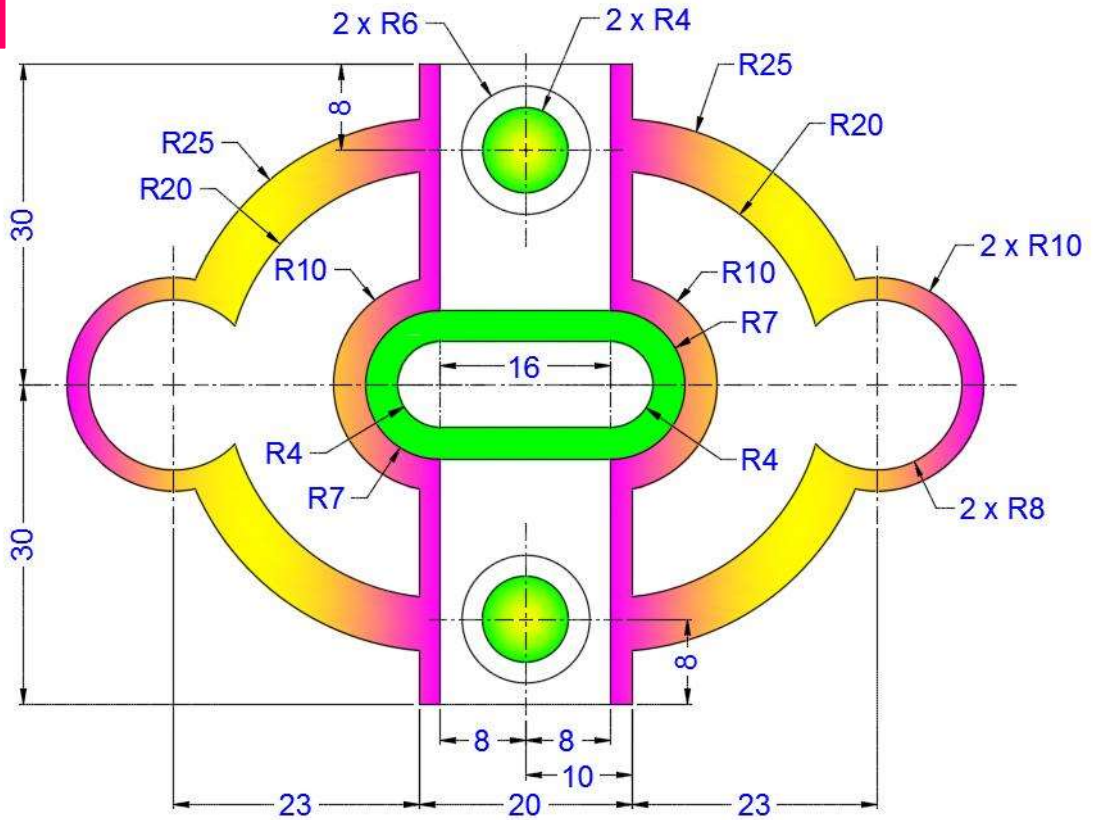
EX-160



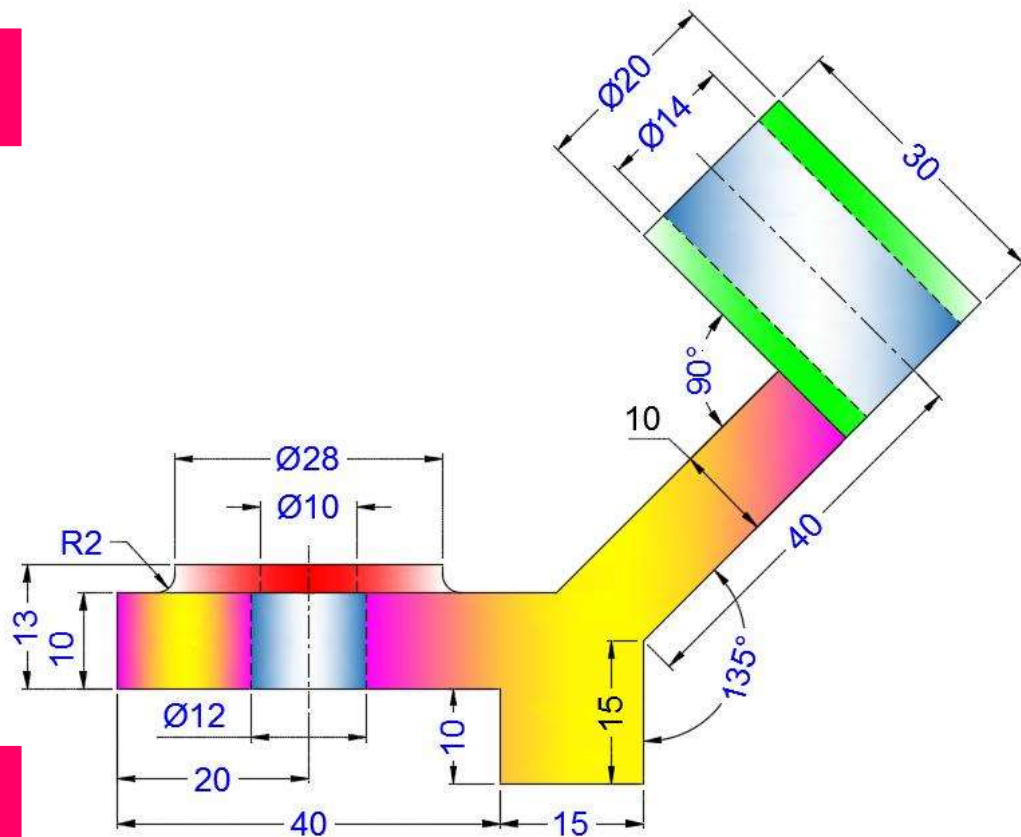
EX-161



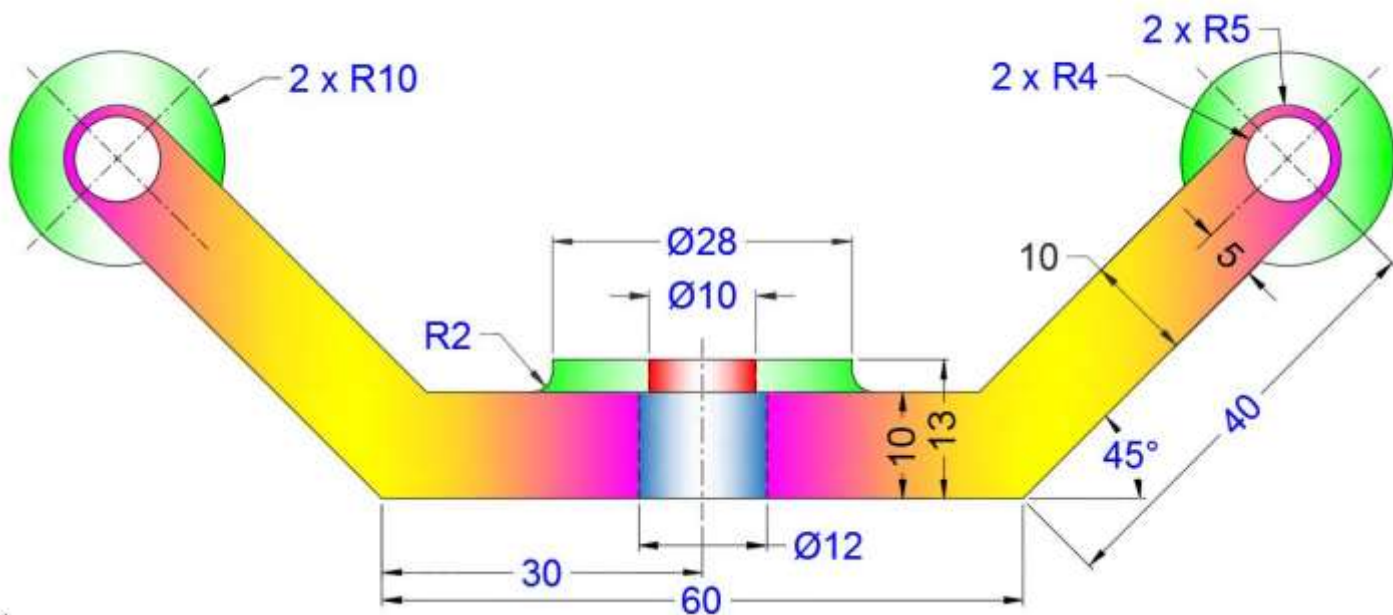
EX-162



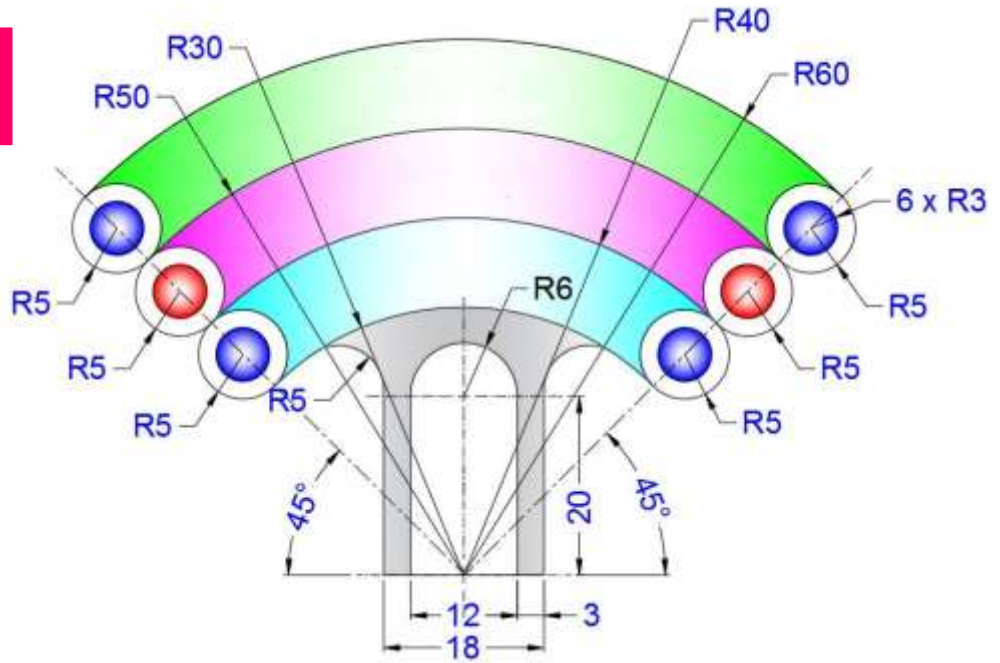
EX-163



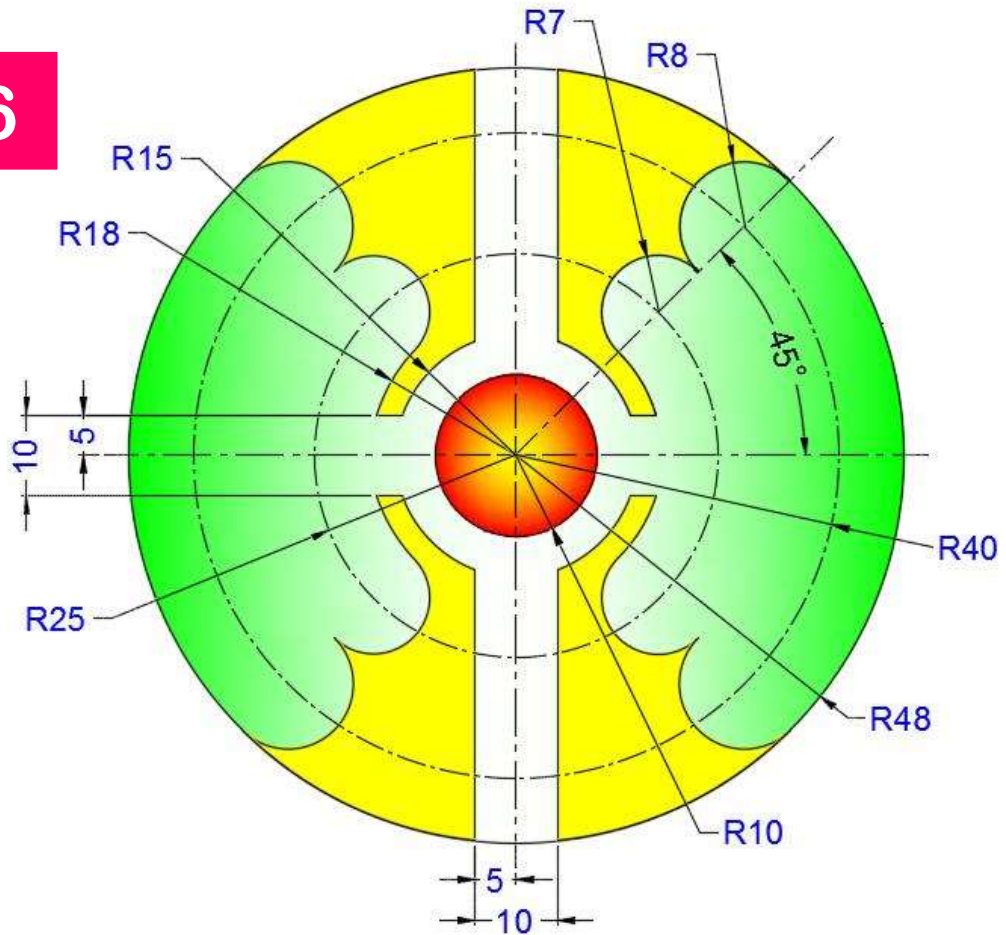
EX-164



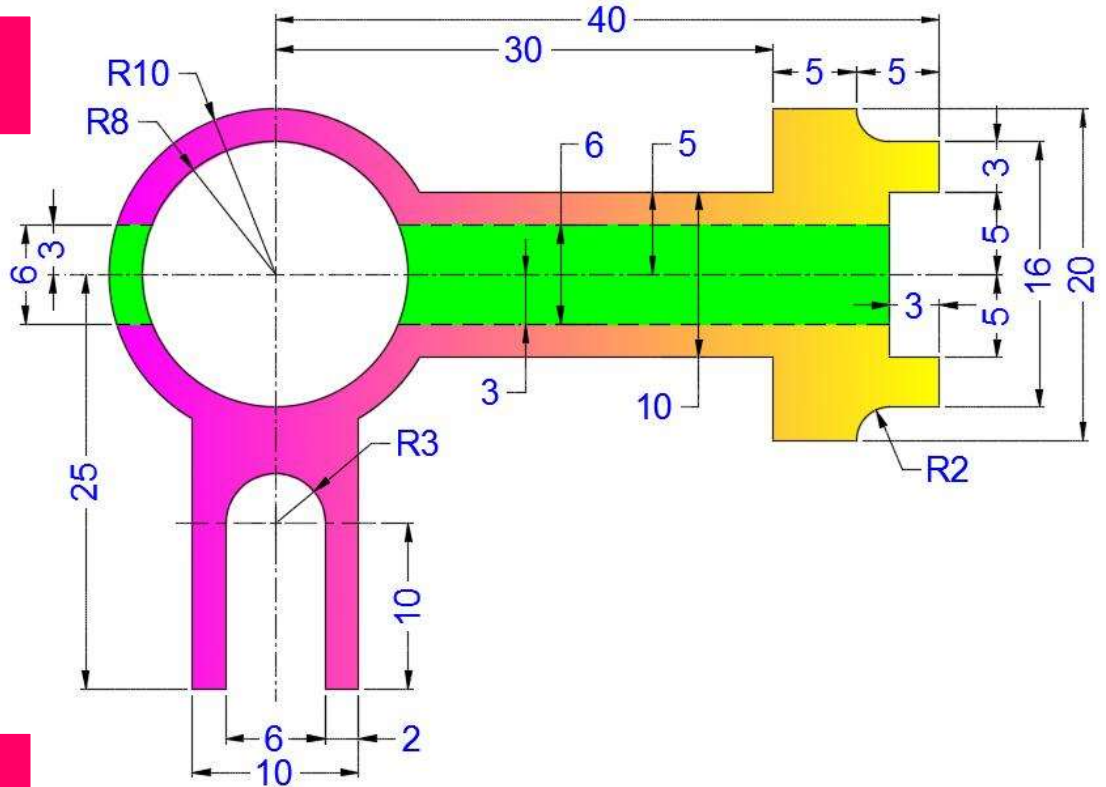
EX-165



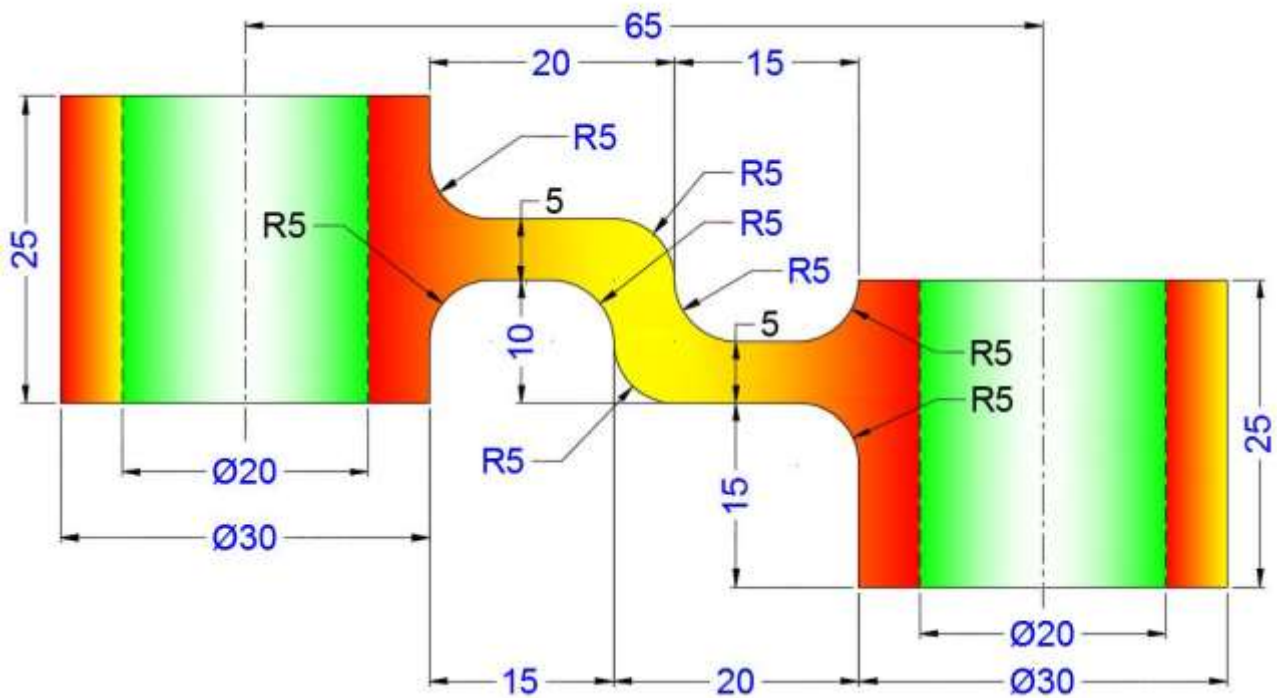
EX-166



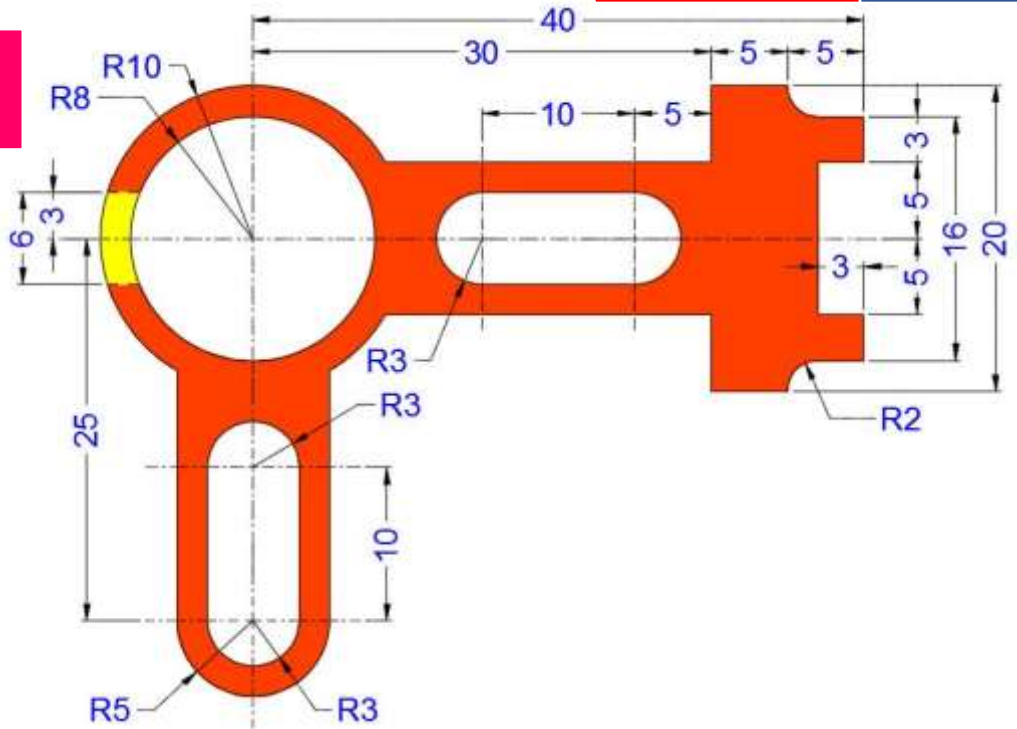
EX-167



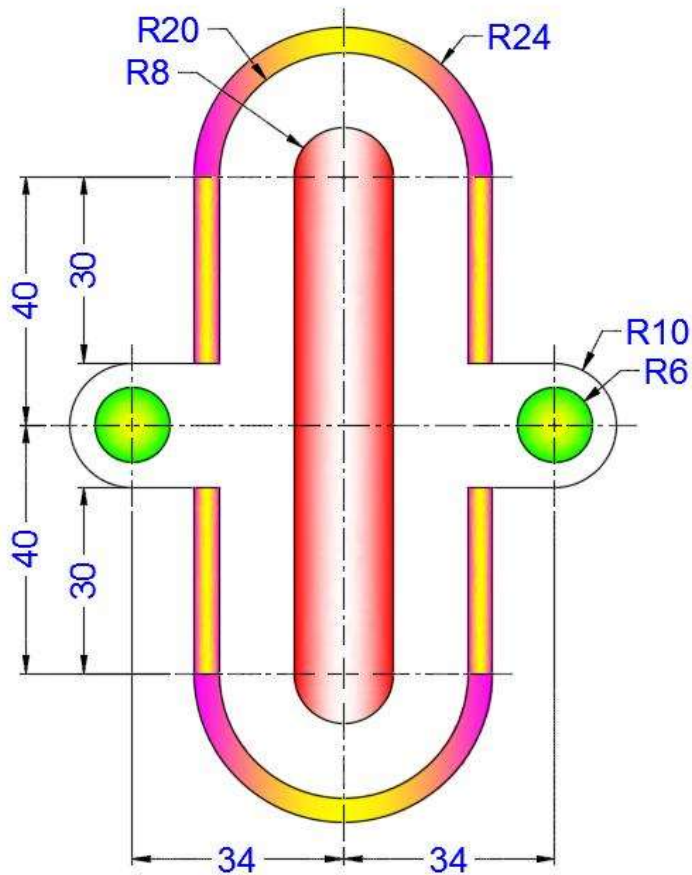
EX-168



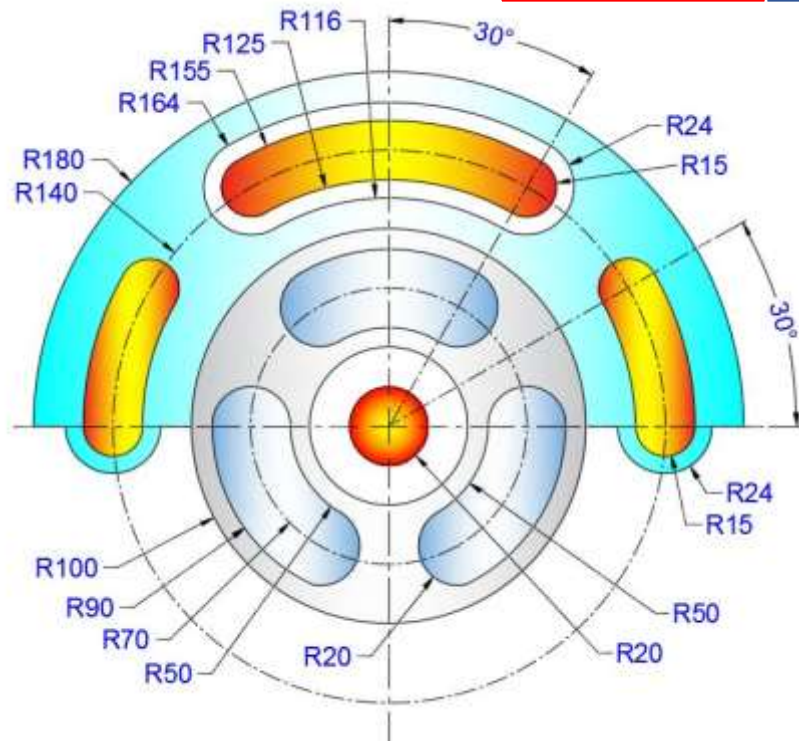
EX-169



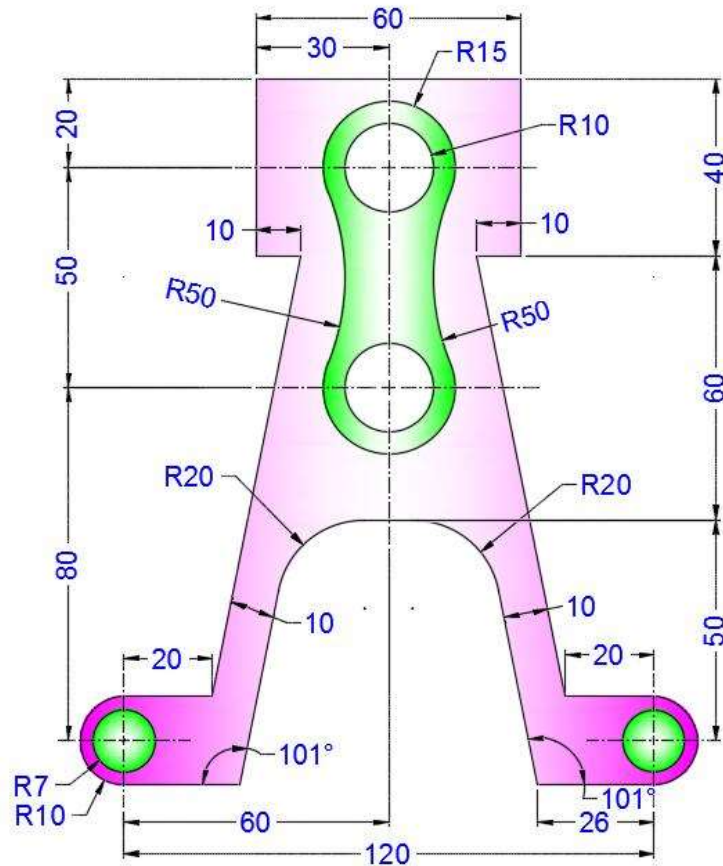
EX-170



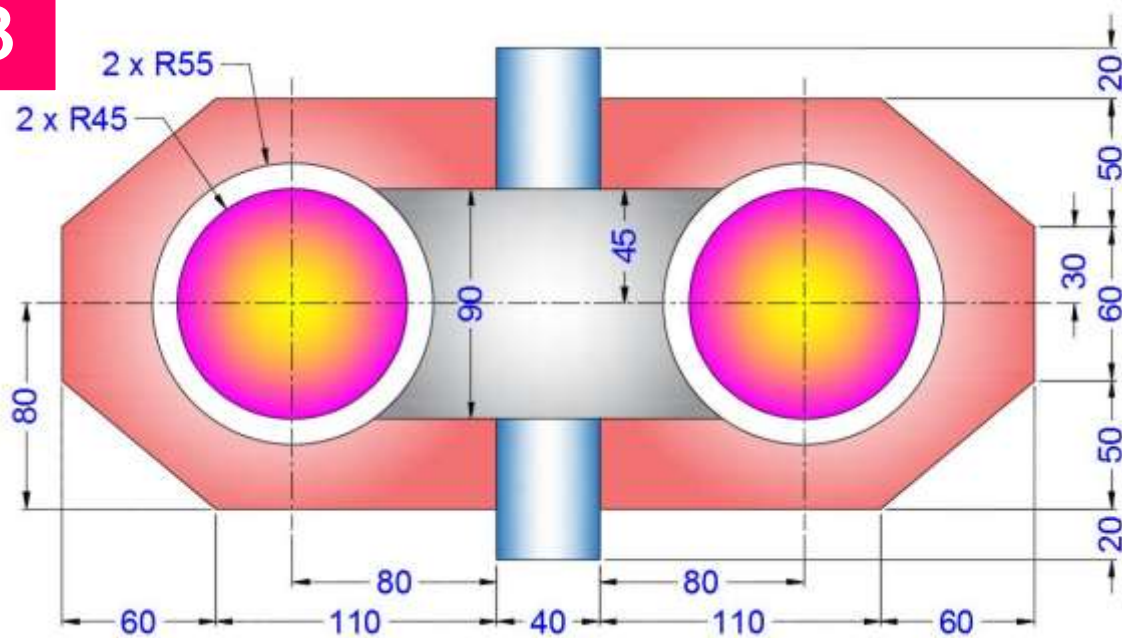
EX-171



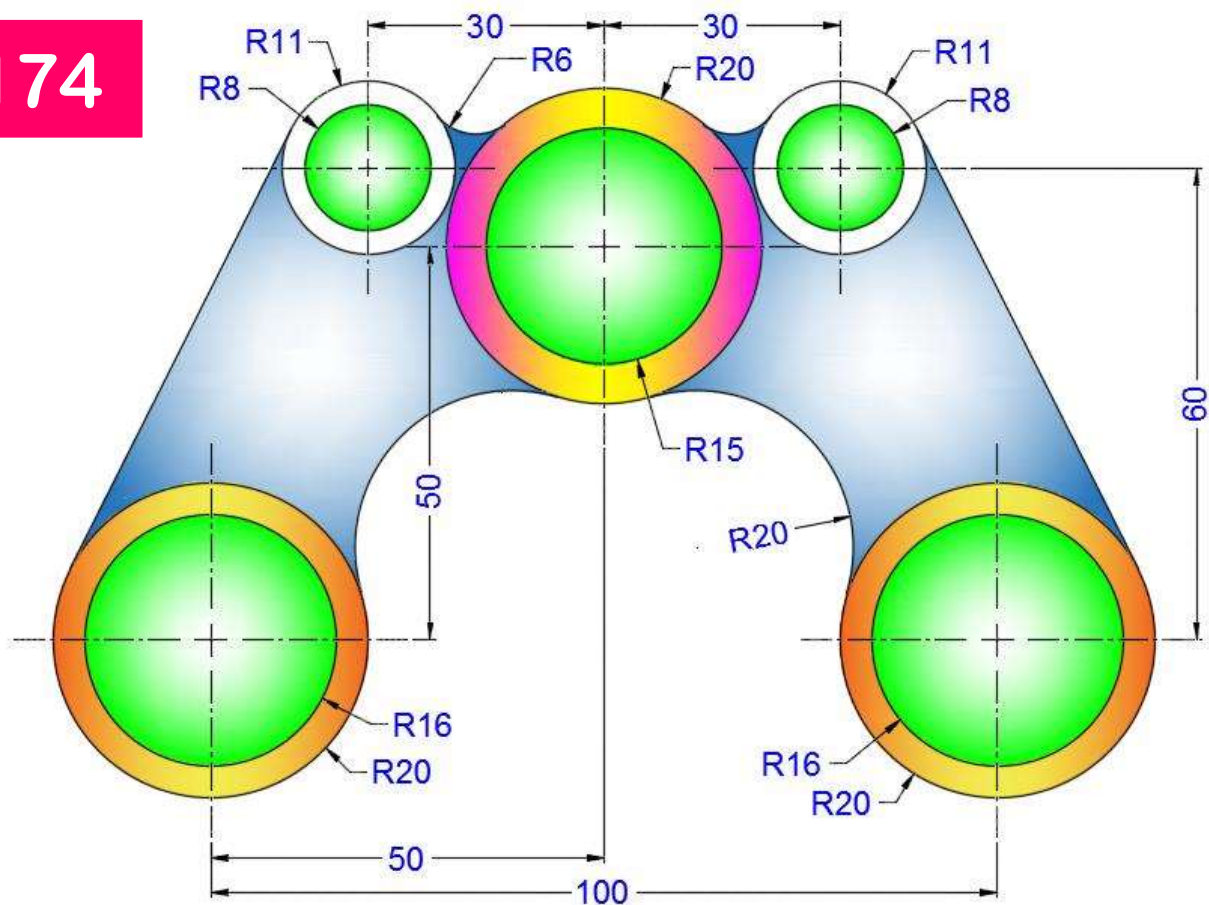
EX-172



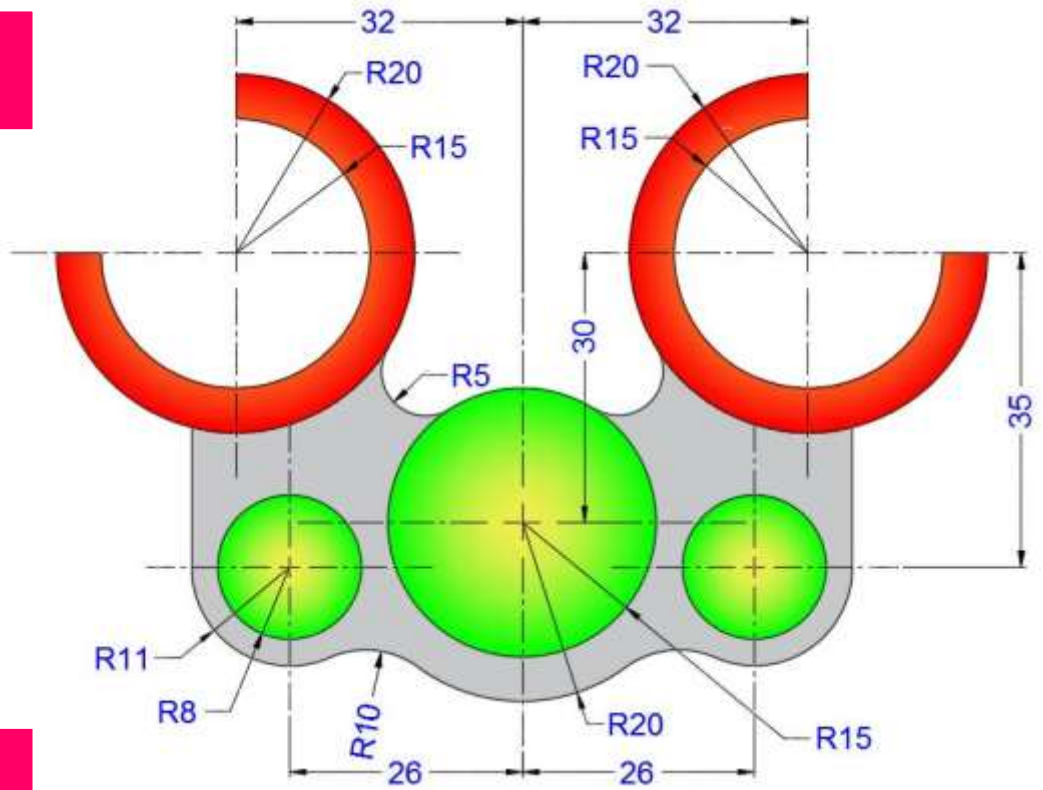
EX-173



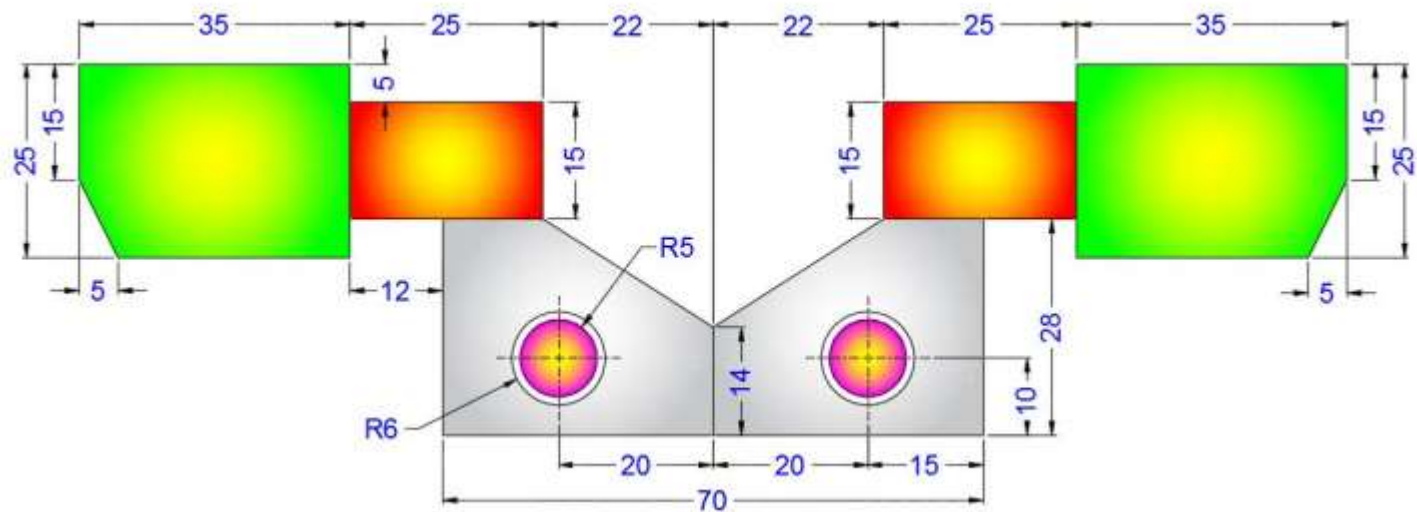
EX-174



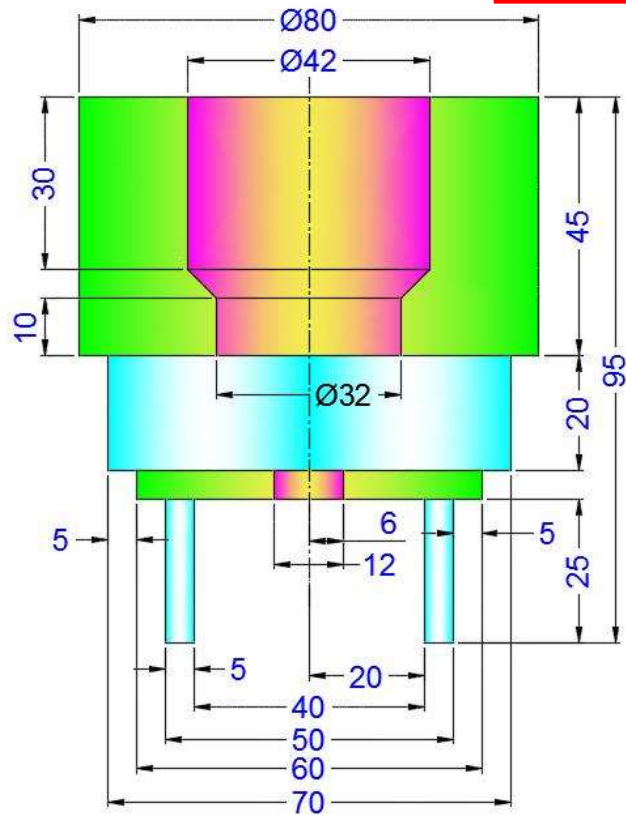
EX-175



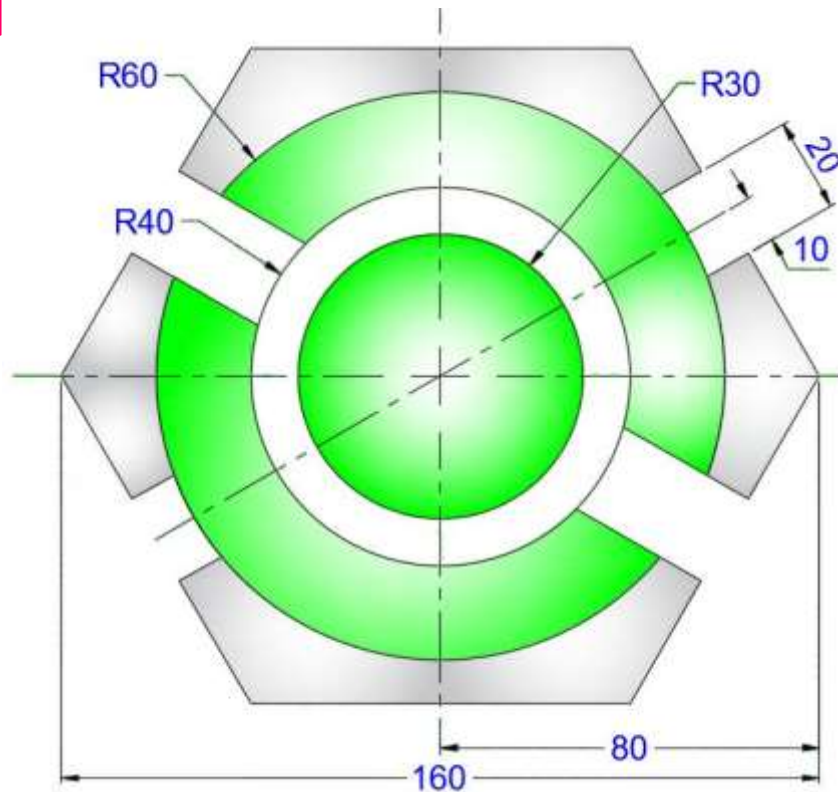
EX-176



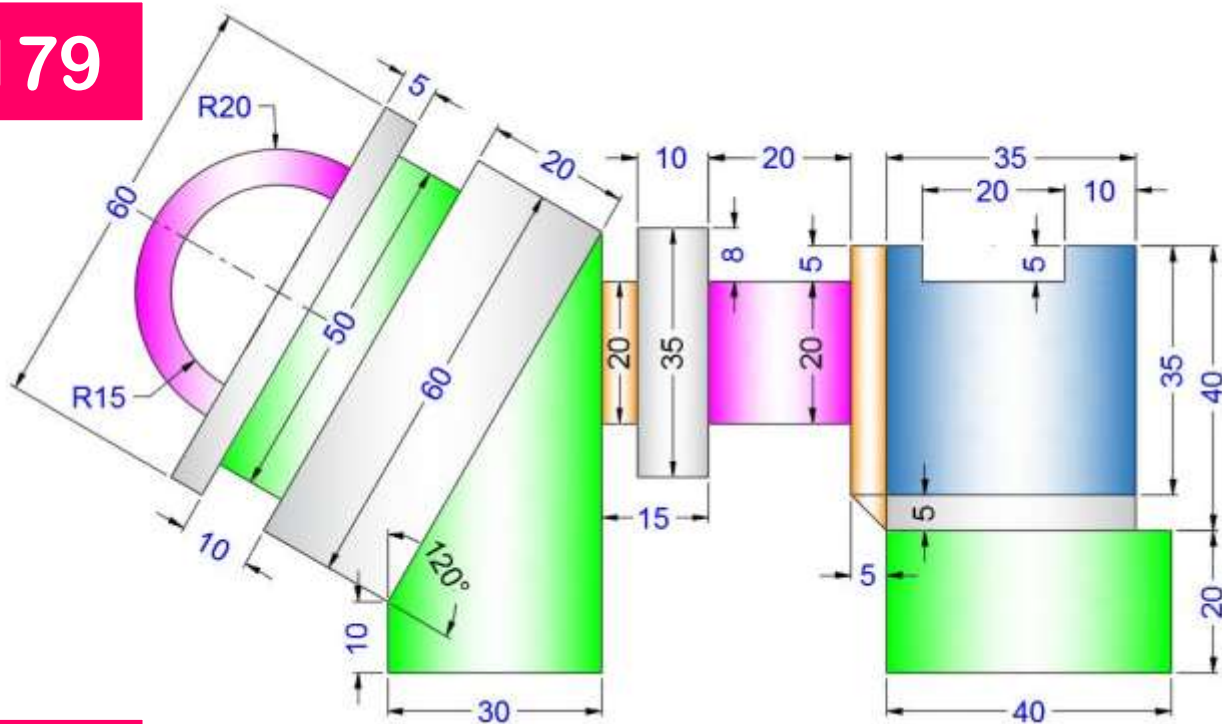
EX-177



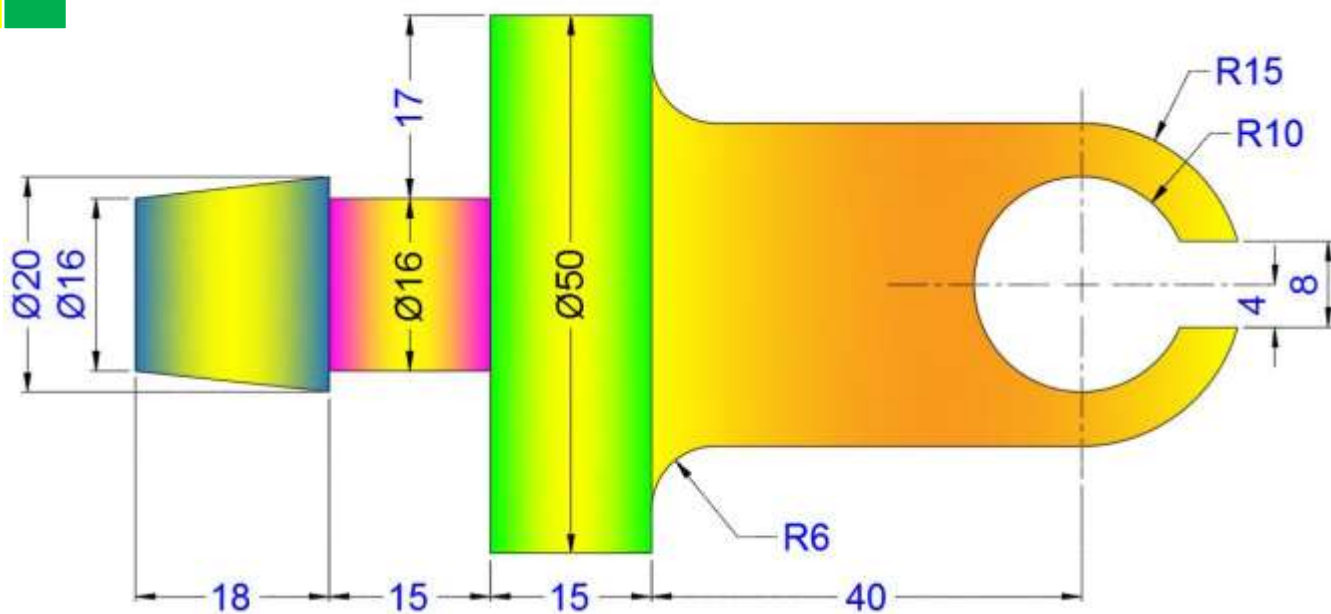
EX-178



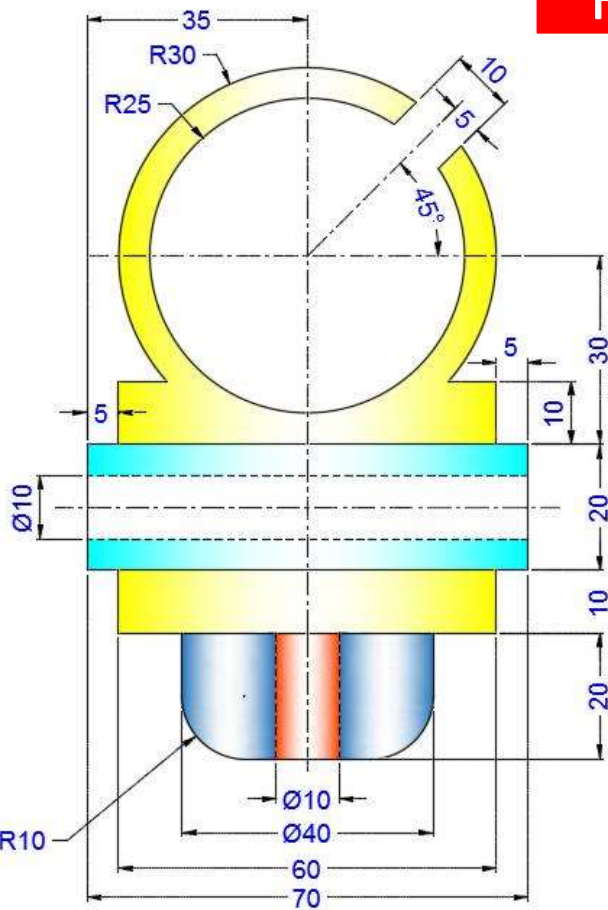
EX-179



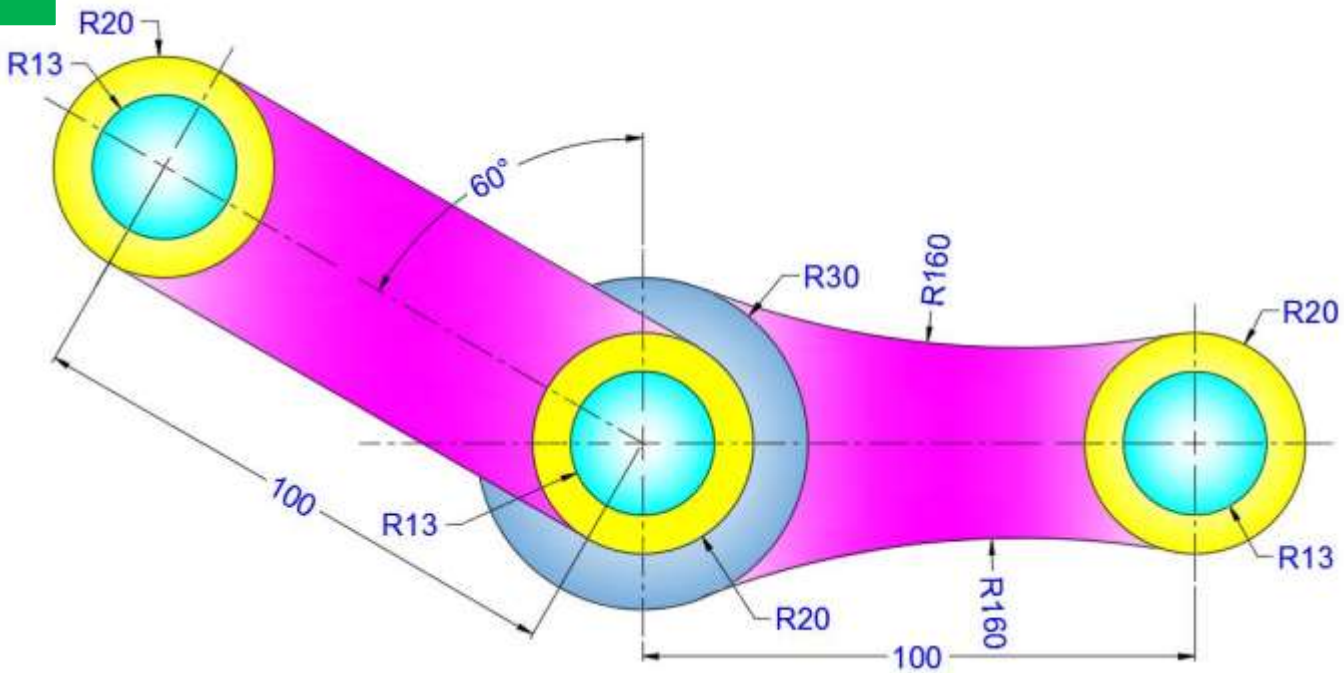
EX-180



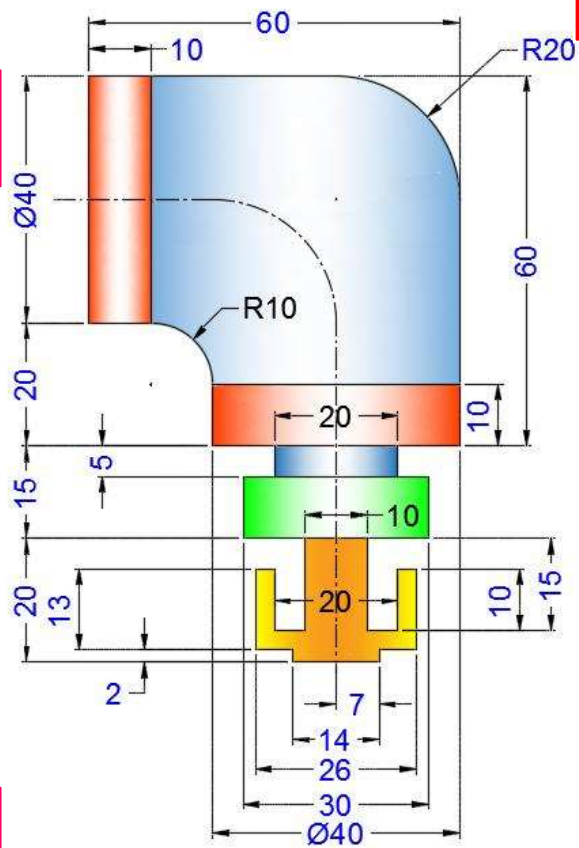
EX-181



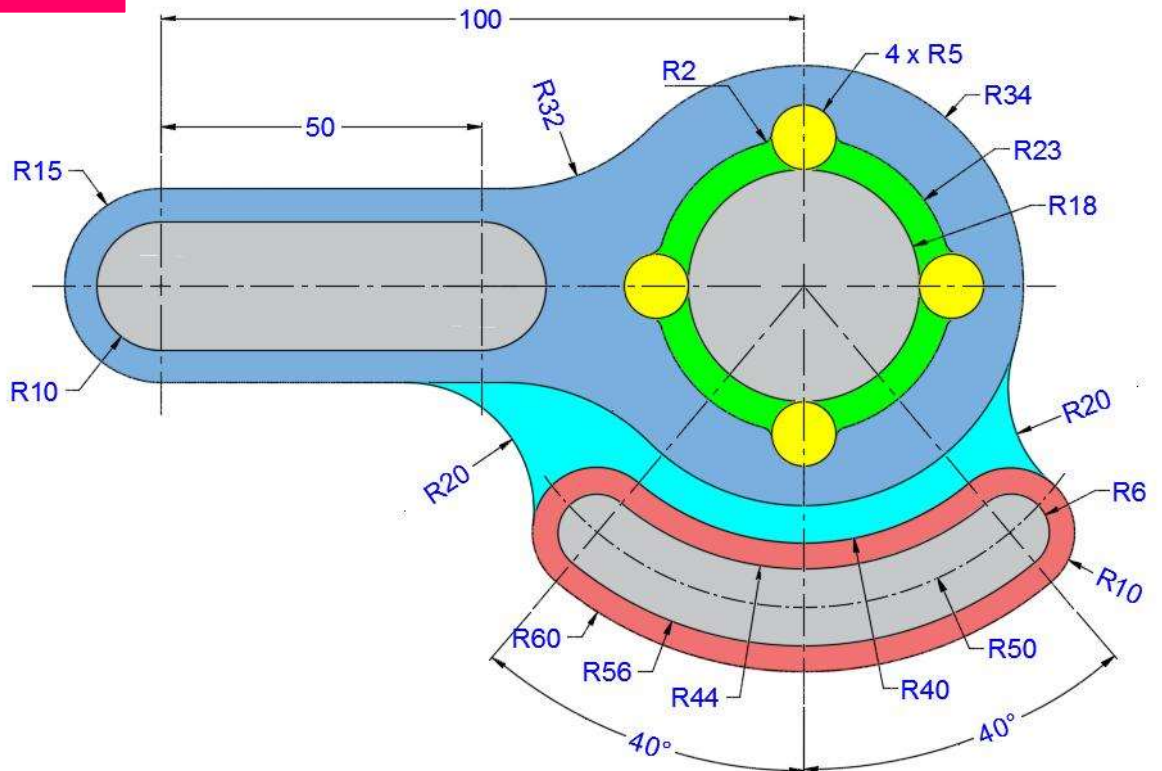
EX-182



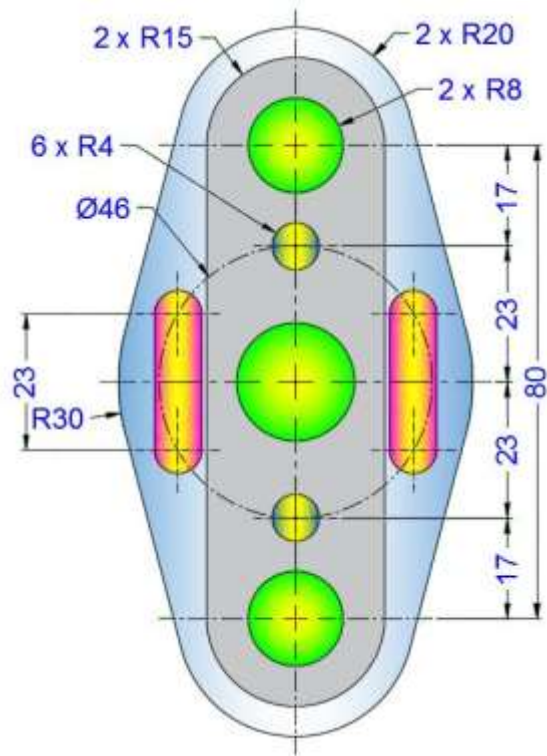
EX-183



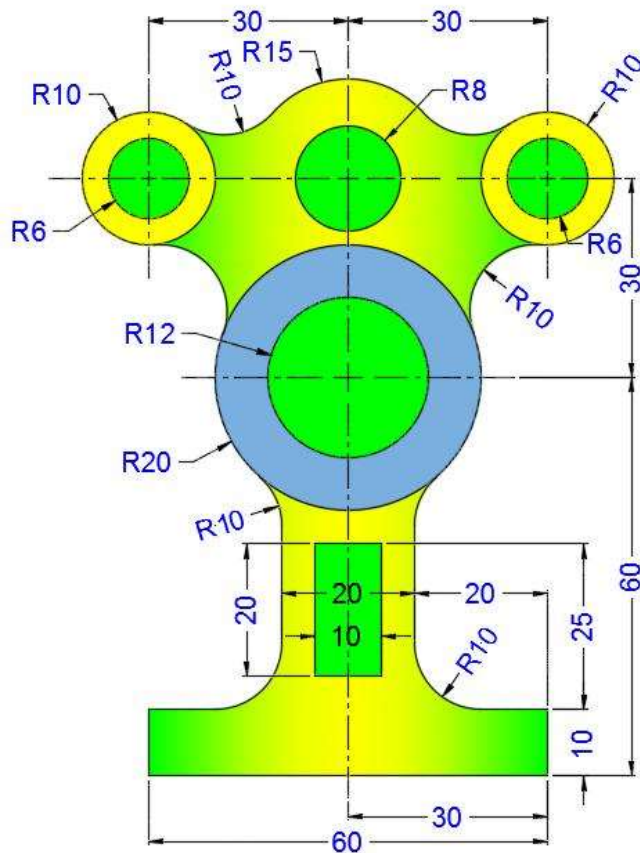
EX-184



EX-185

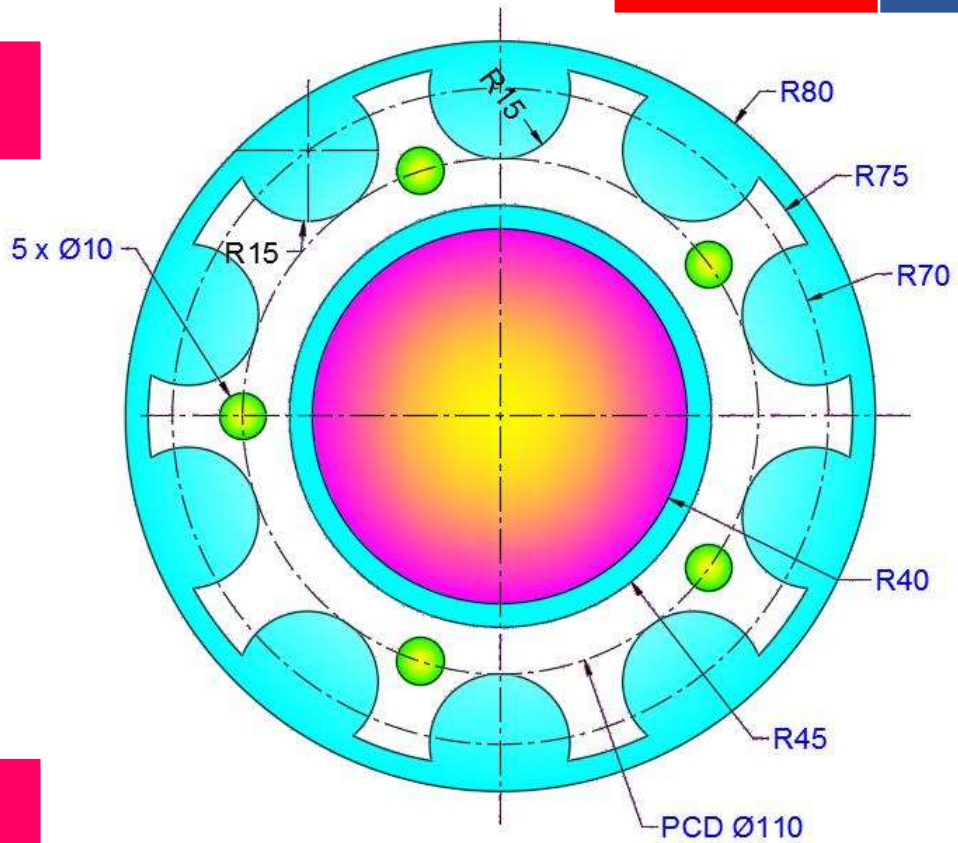


EX-186

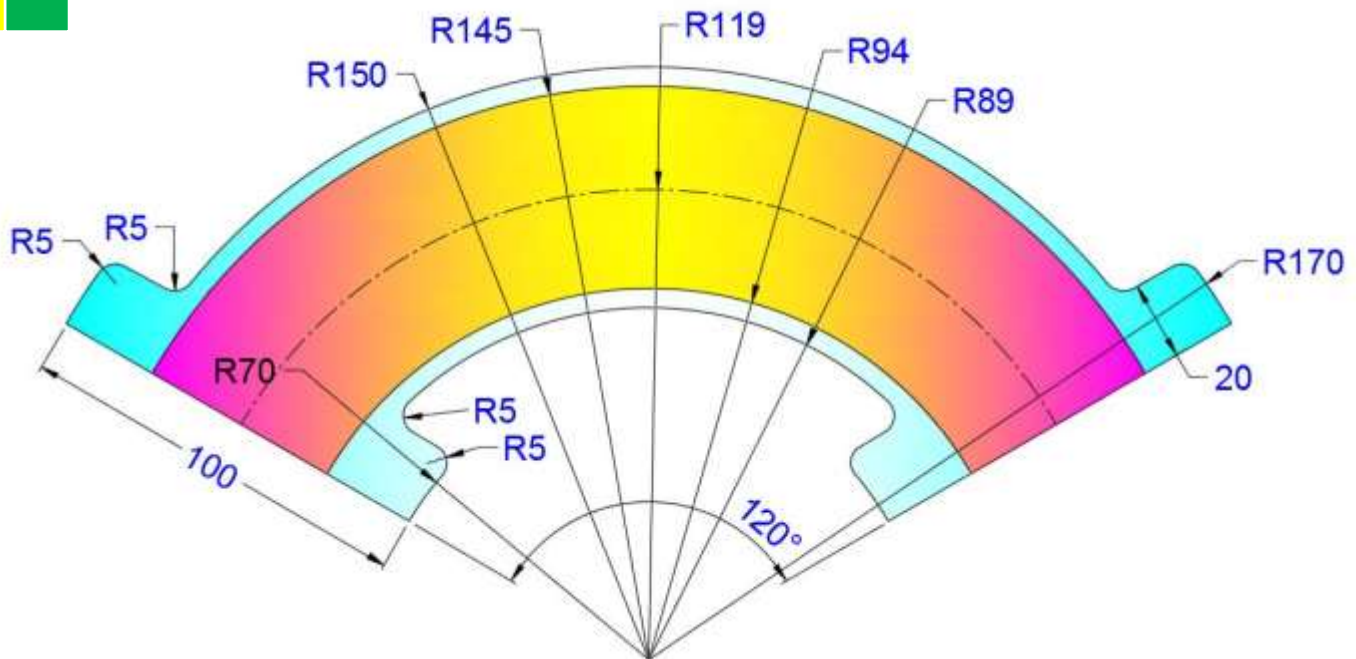




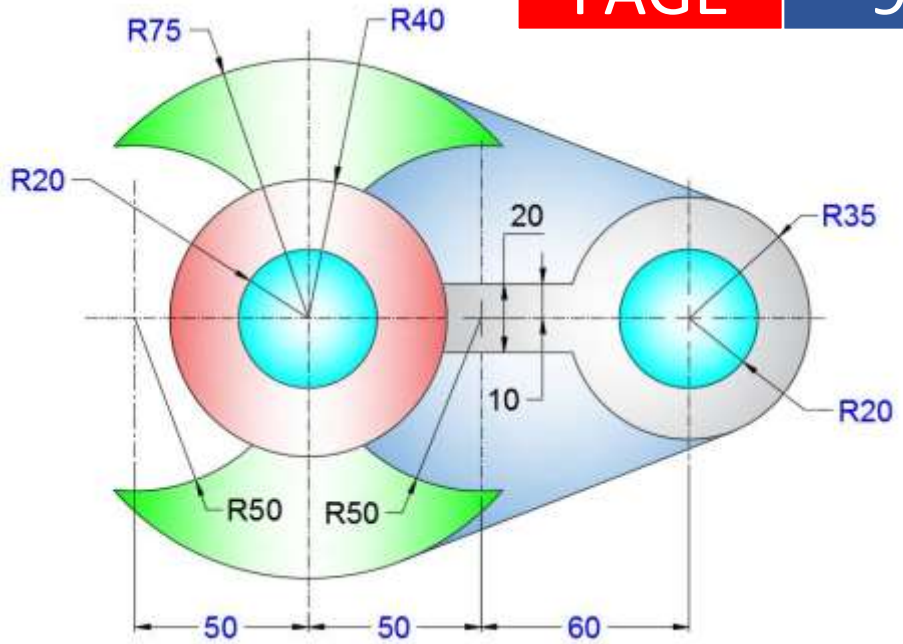
EX-189



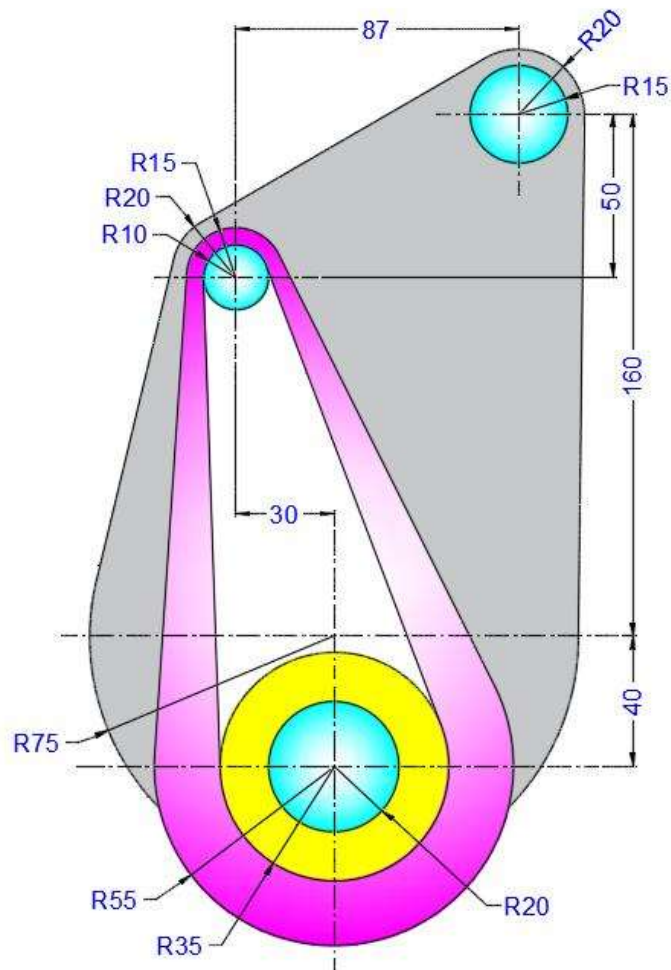
EX-190



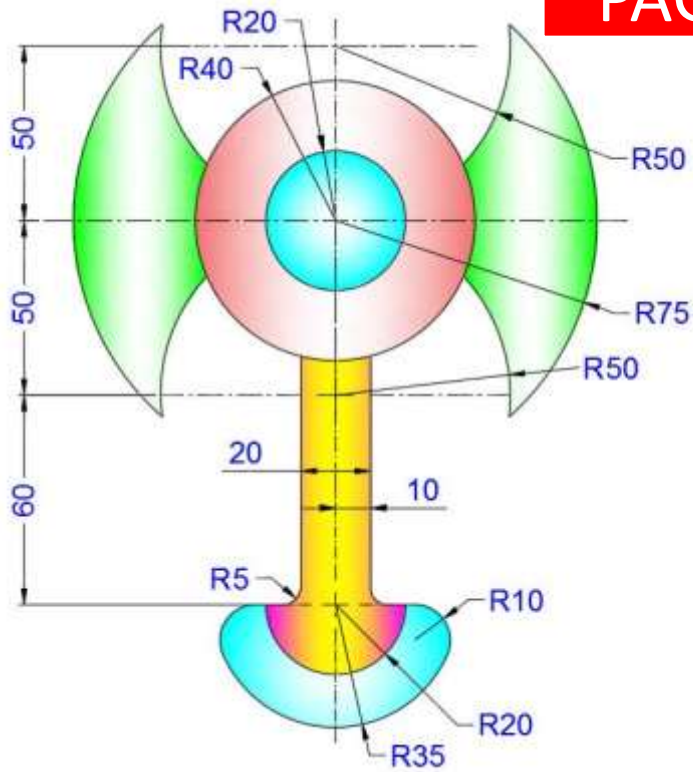
EX-191



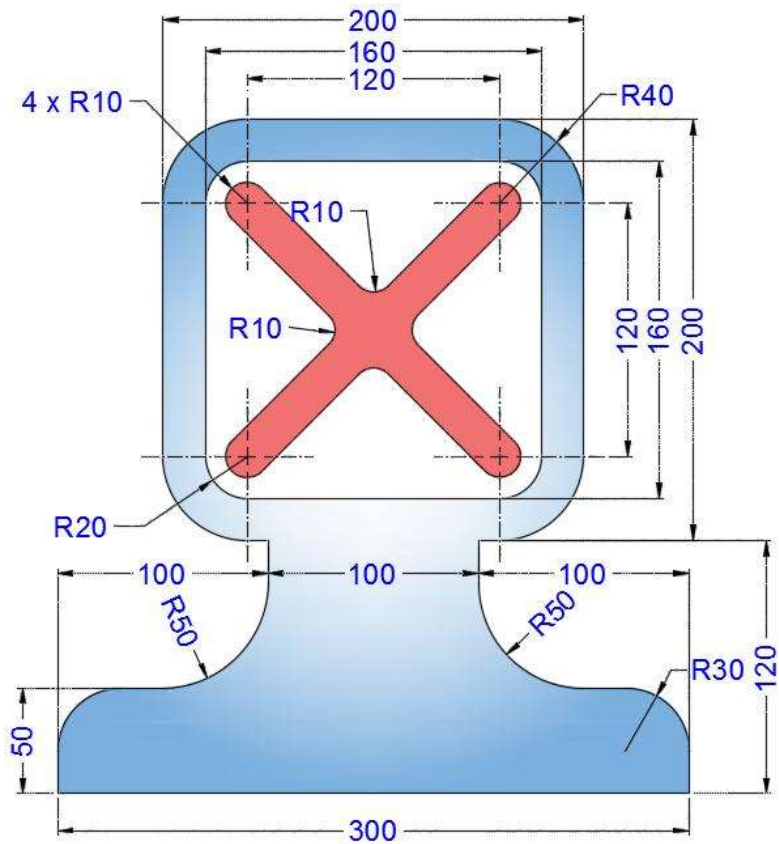
EX-192



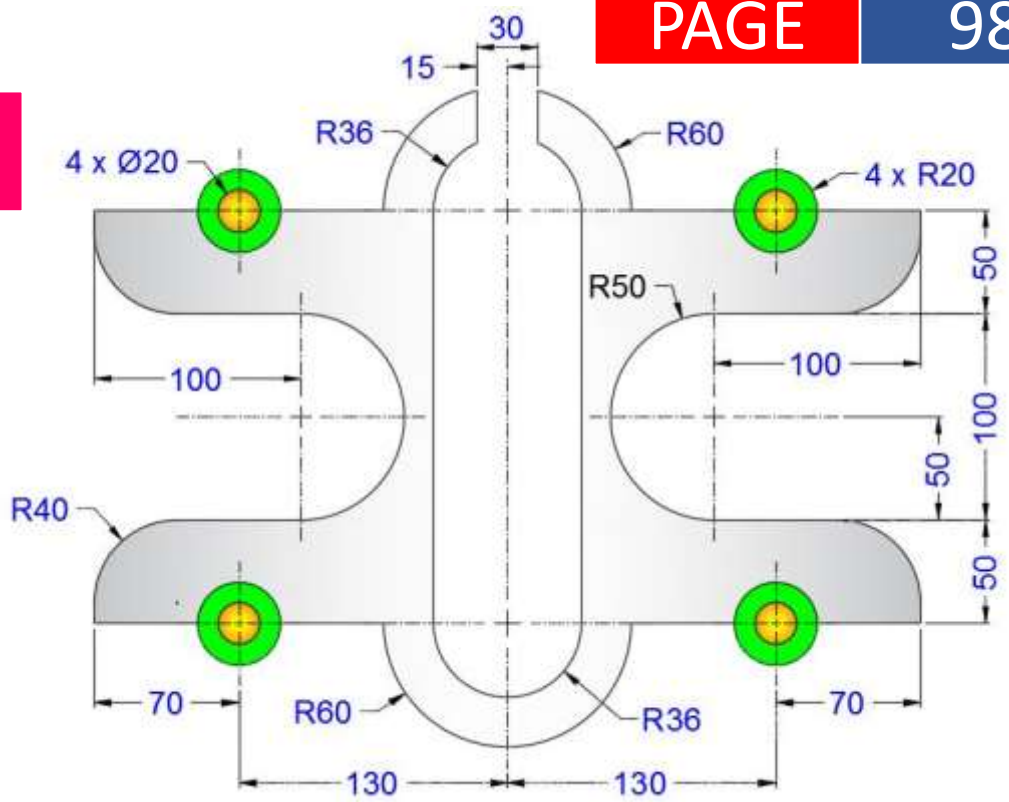
EX-193



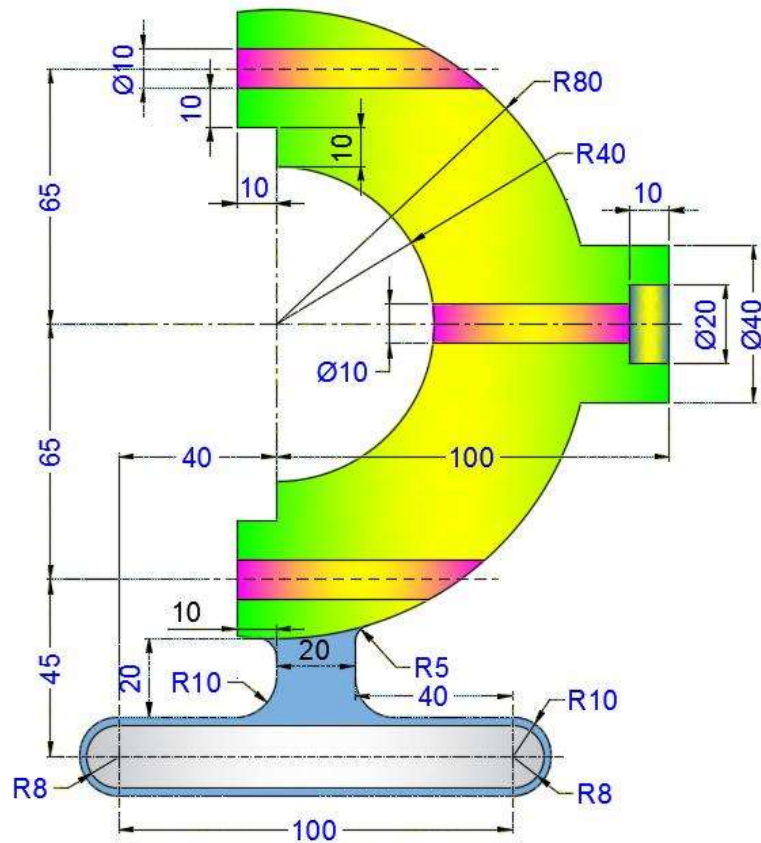
EX-194



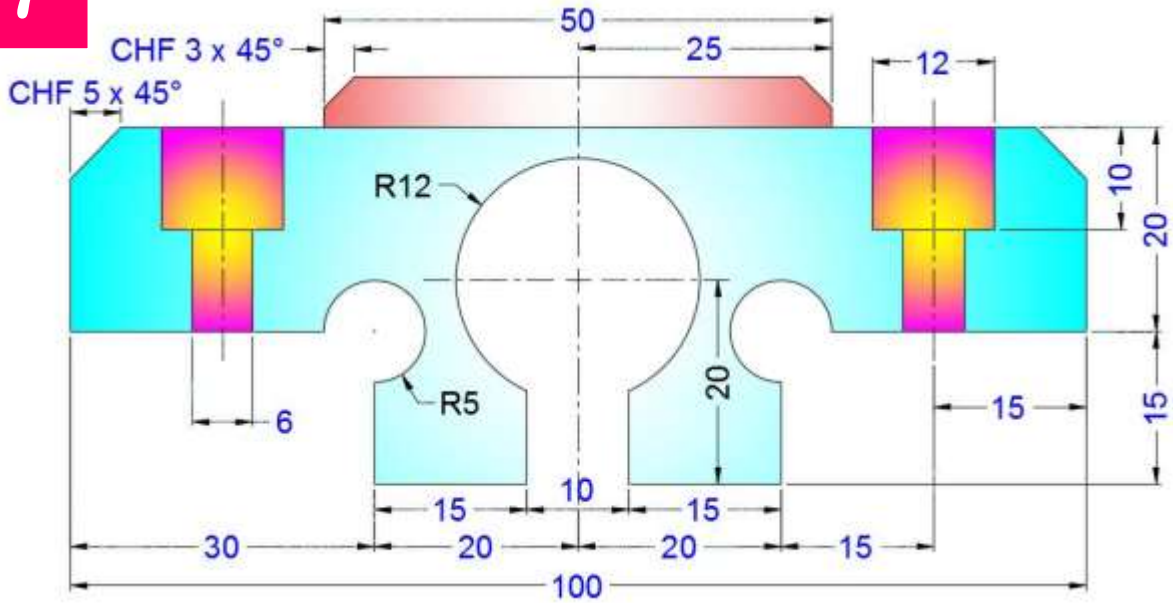
EX-195



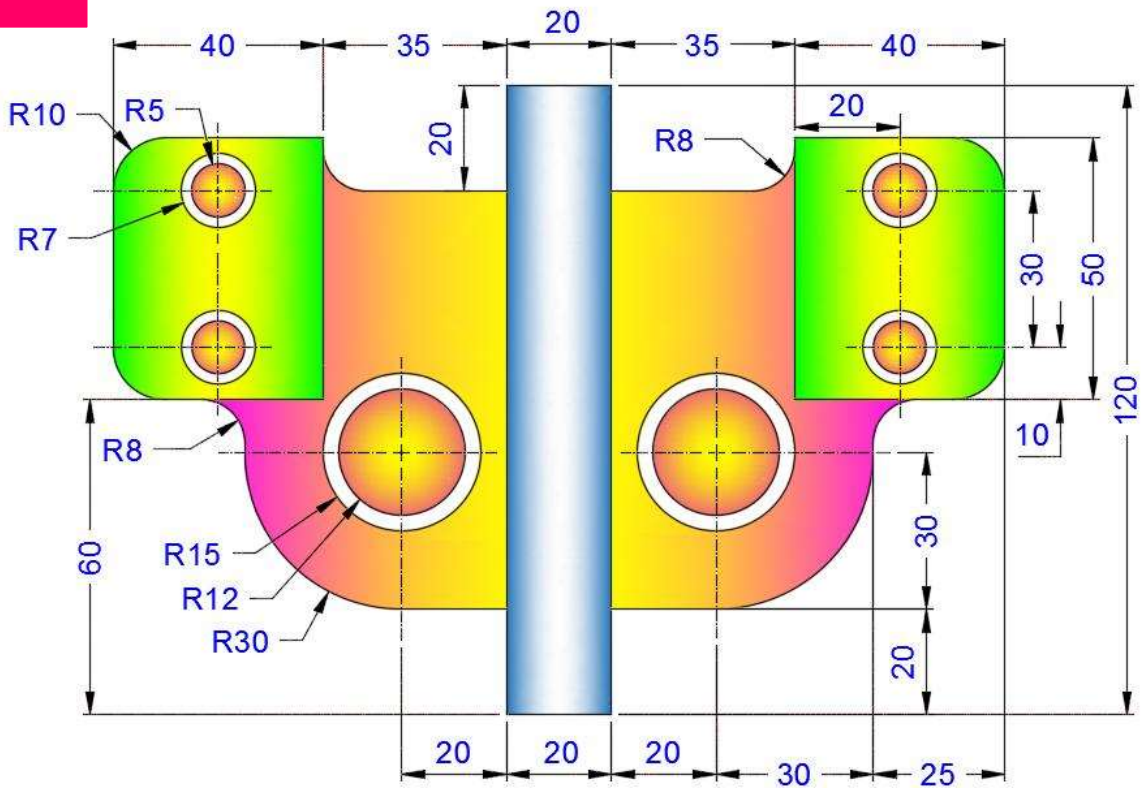
EX-196



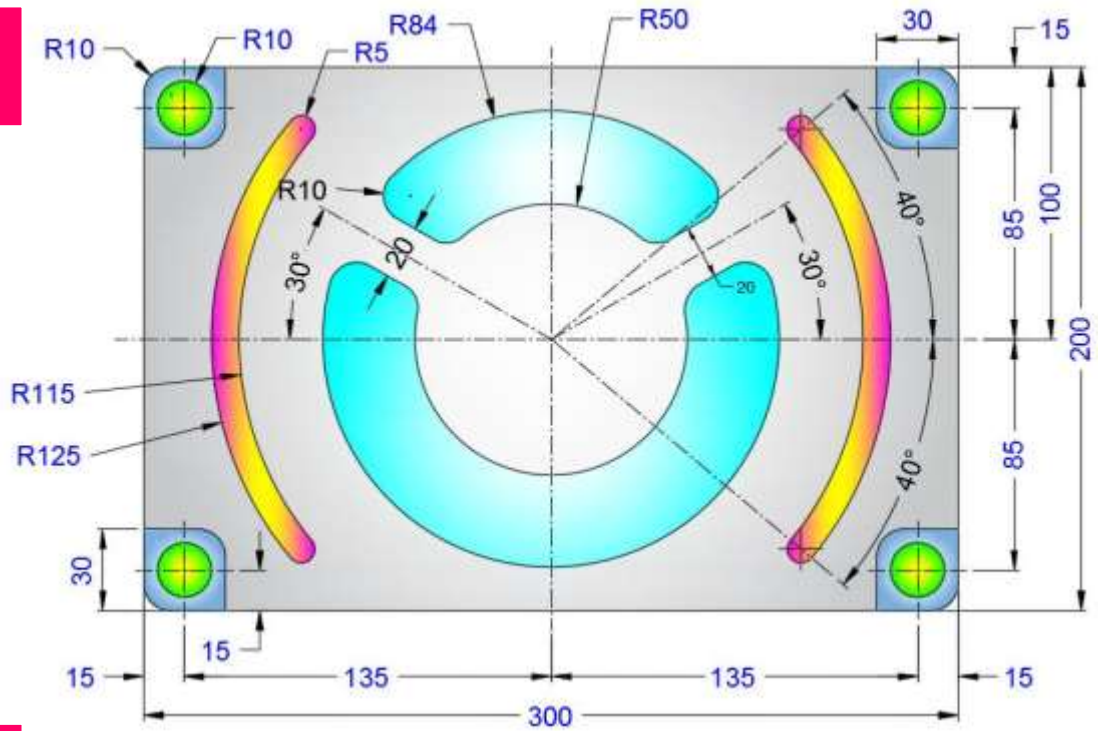
## EX-197



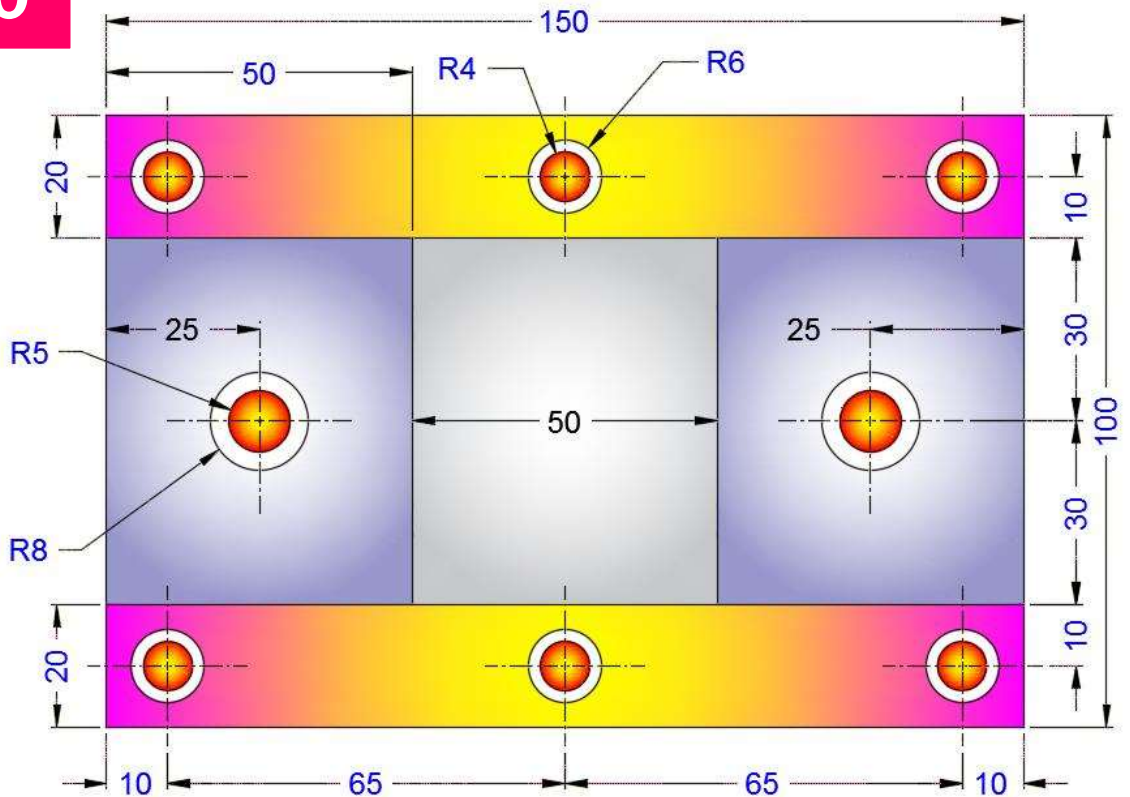
## EX-198



EX-199



EX-200



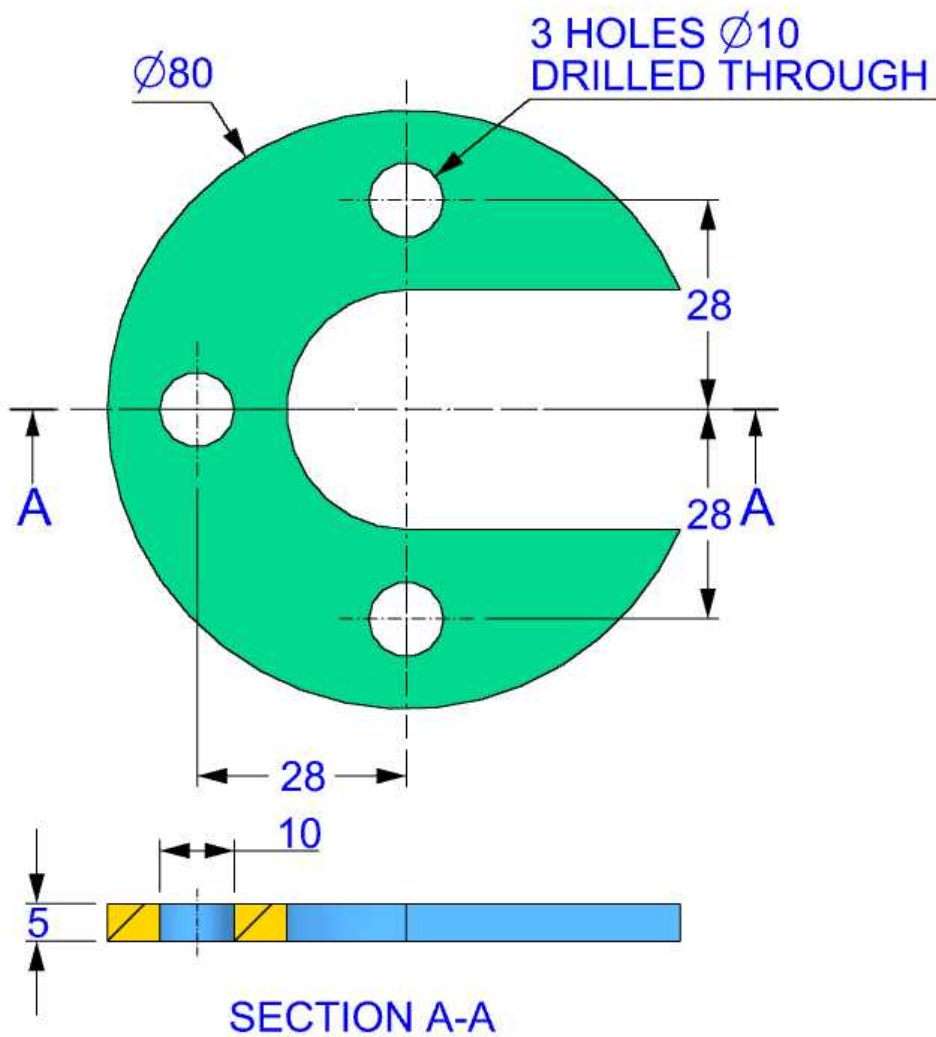
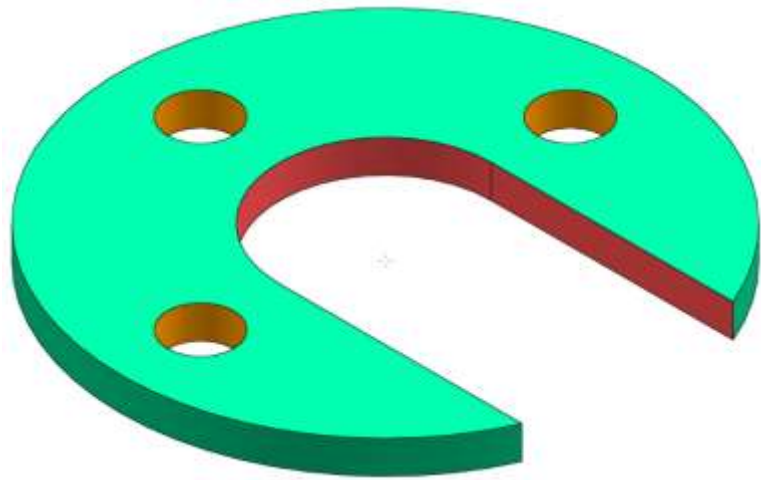


EX- 3D

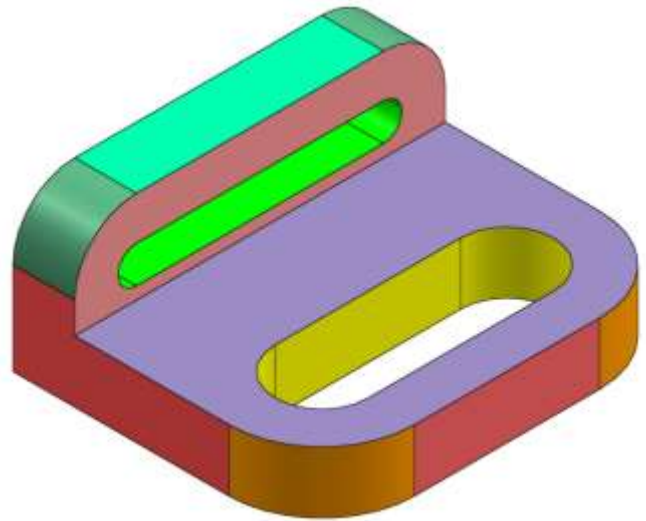
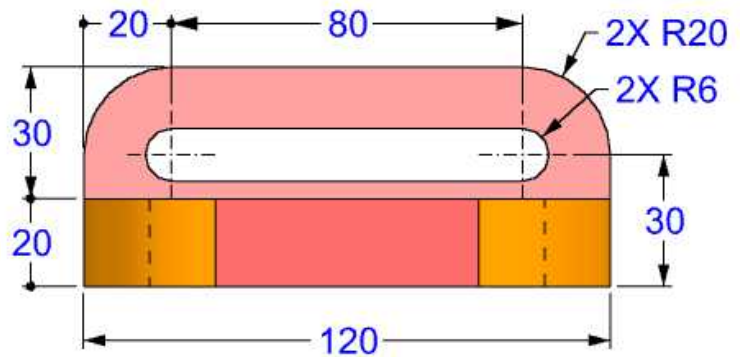
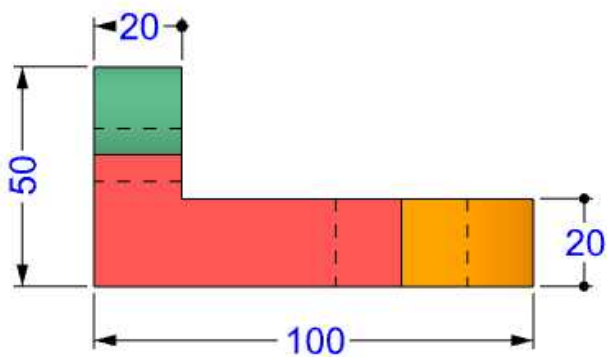
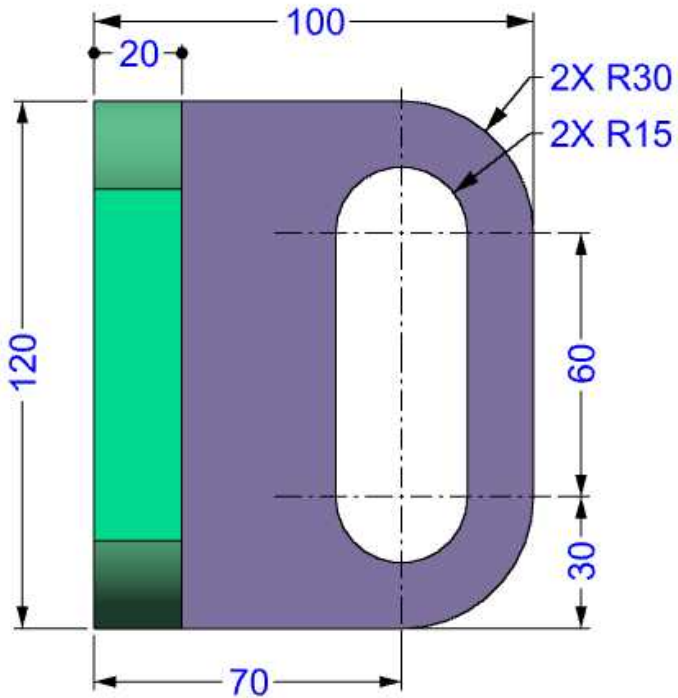
# 3D

## Part Modeling

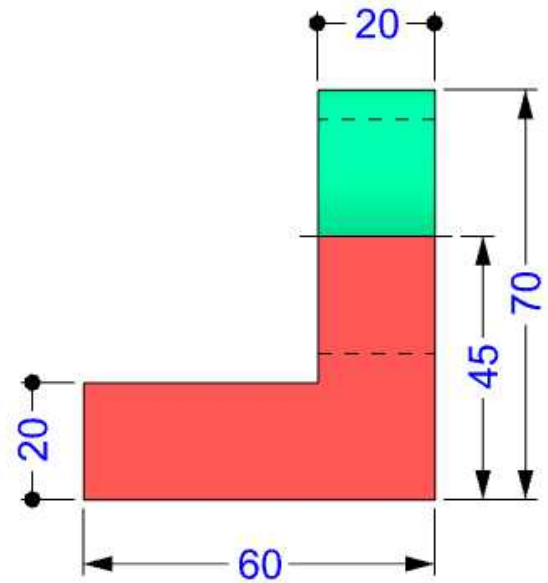
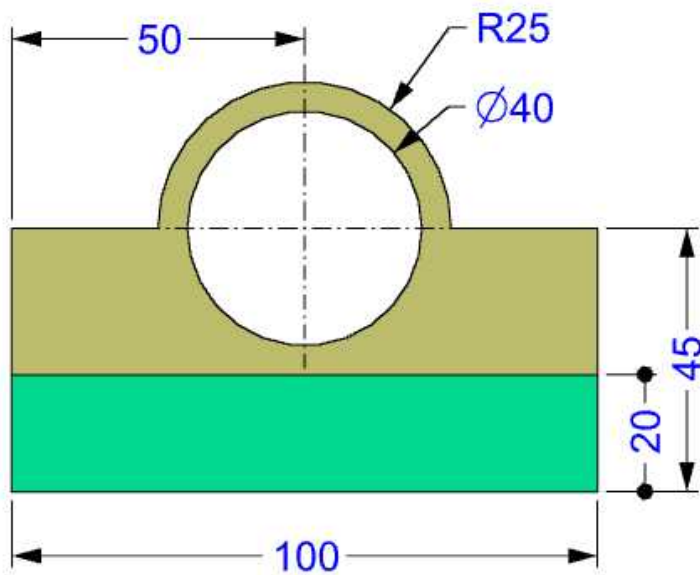
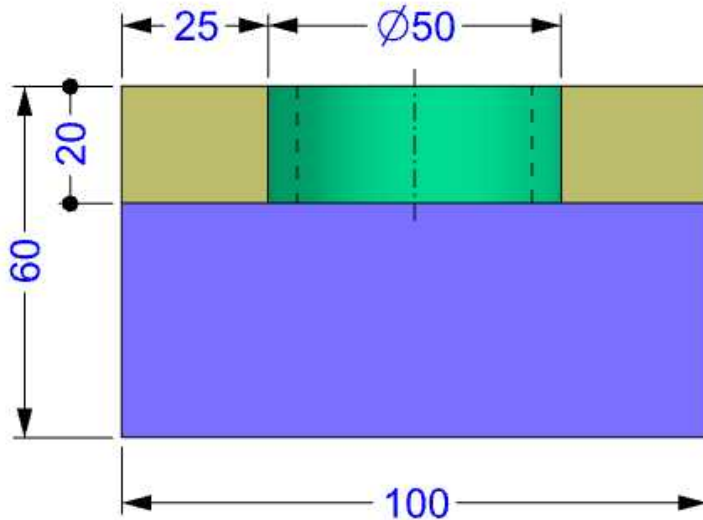
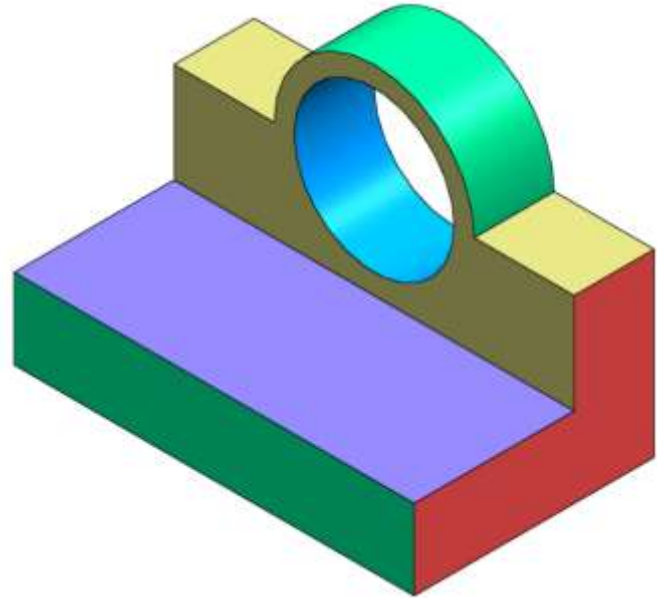
## EXERCISE-01



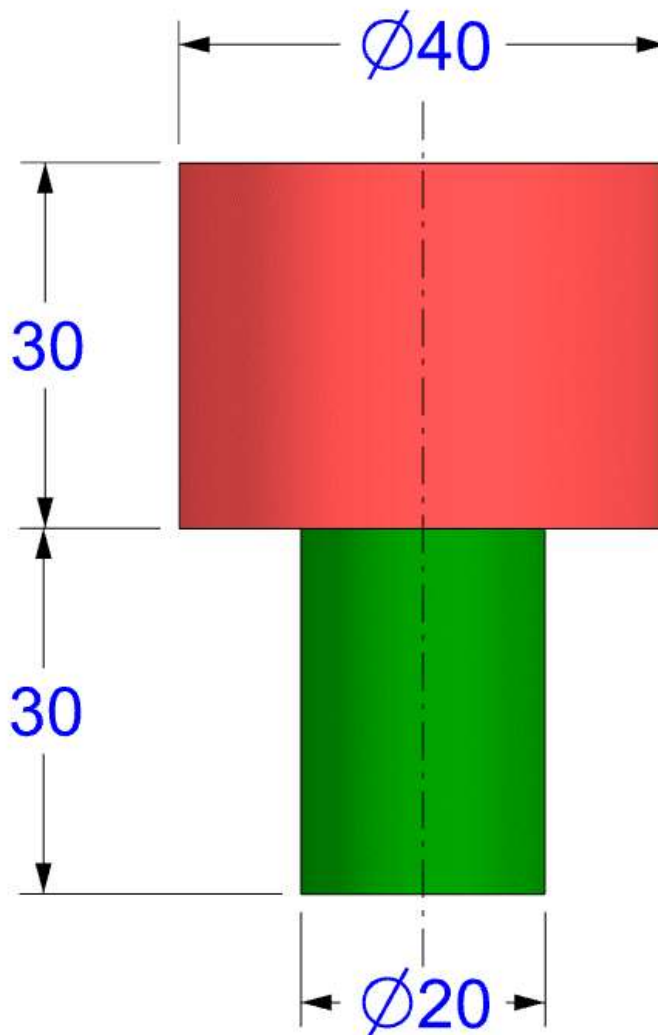
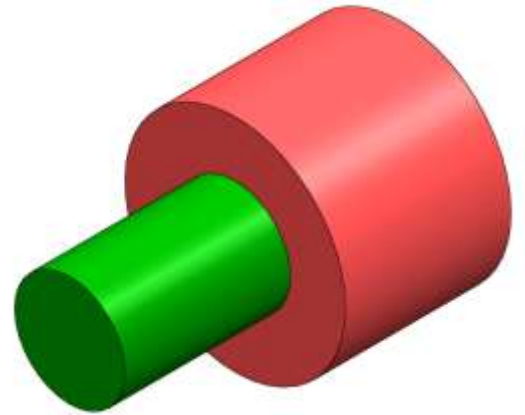
## EXERCISE-02



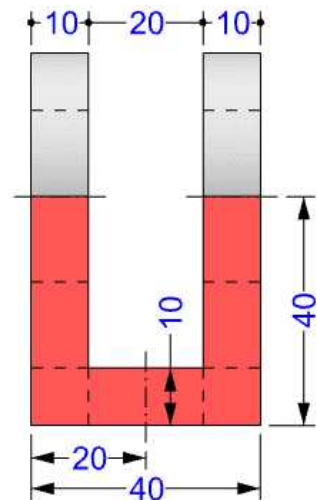
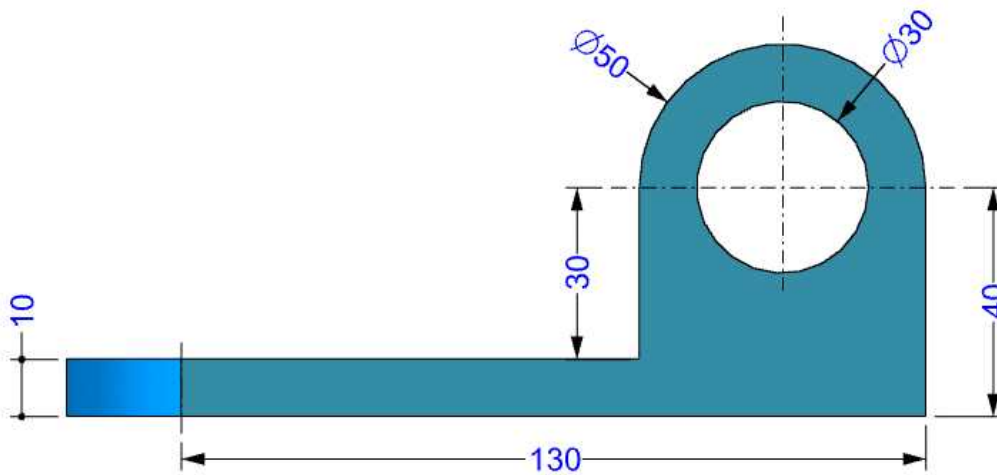
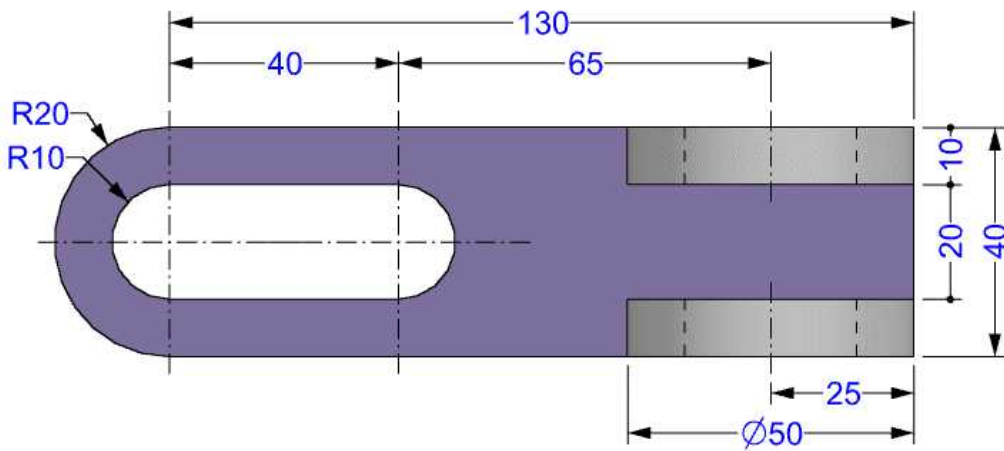
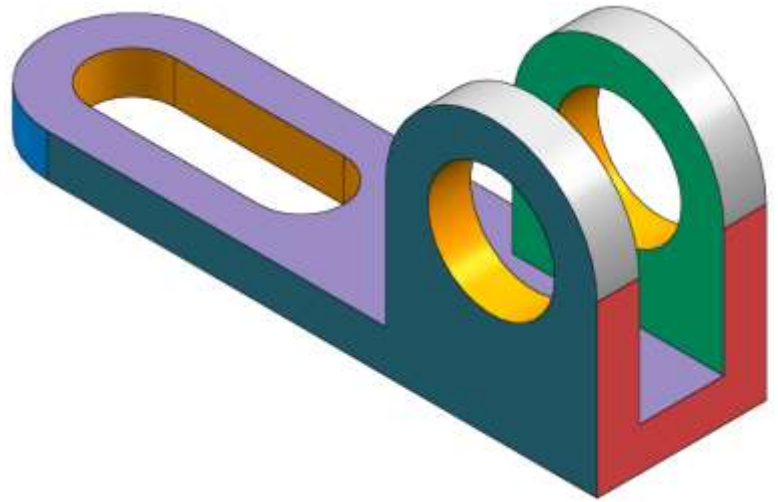
## EXERCISE-03



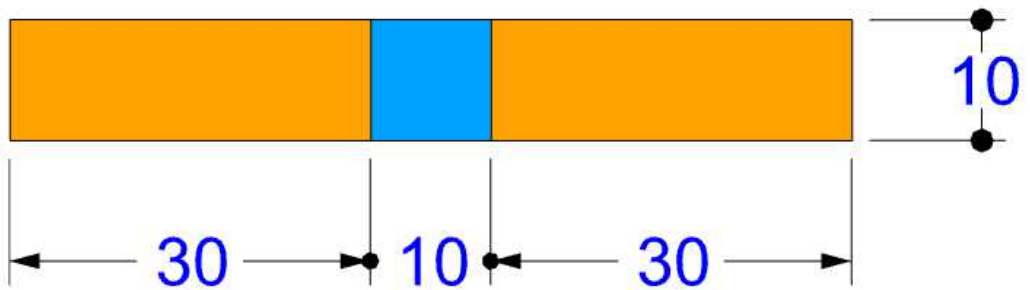
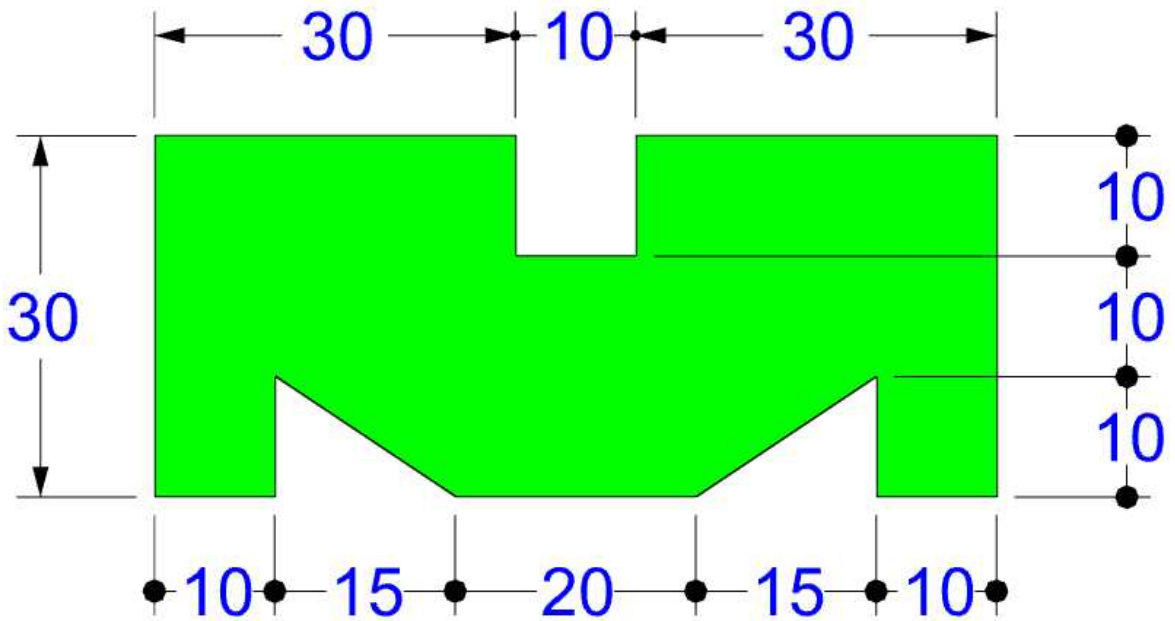
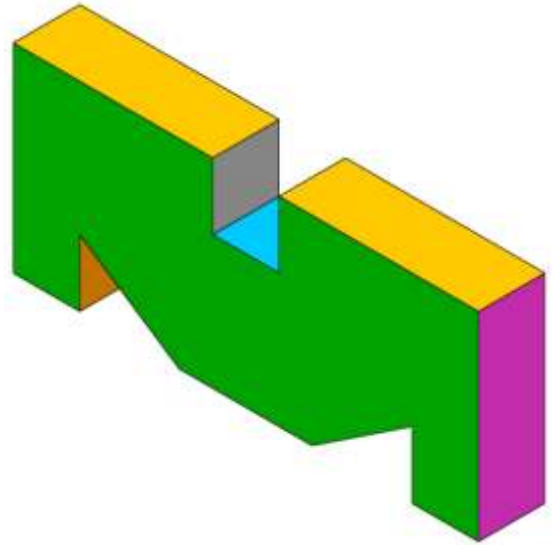
## EXERCISE-04



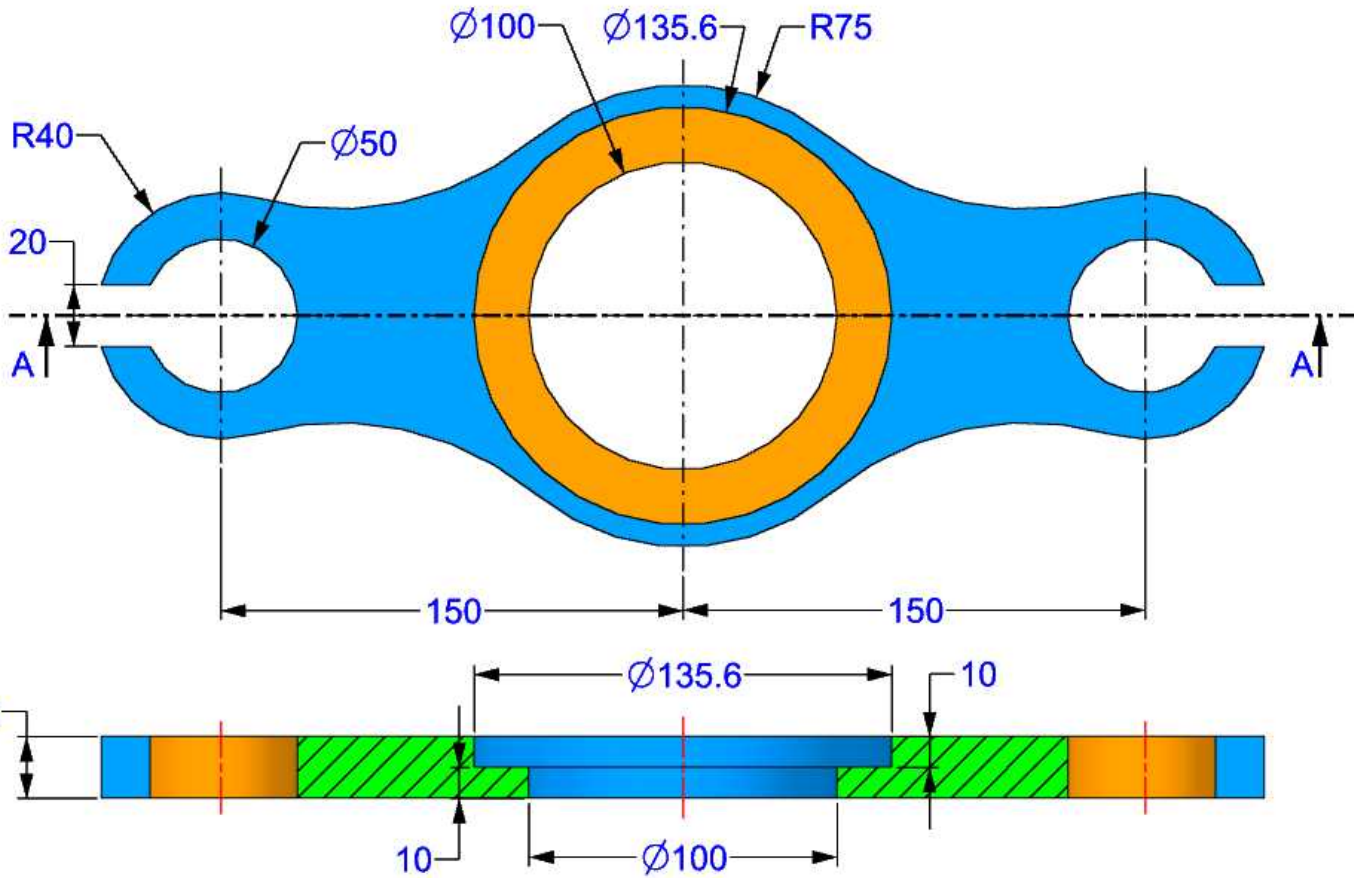
## EXERCISE-05



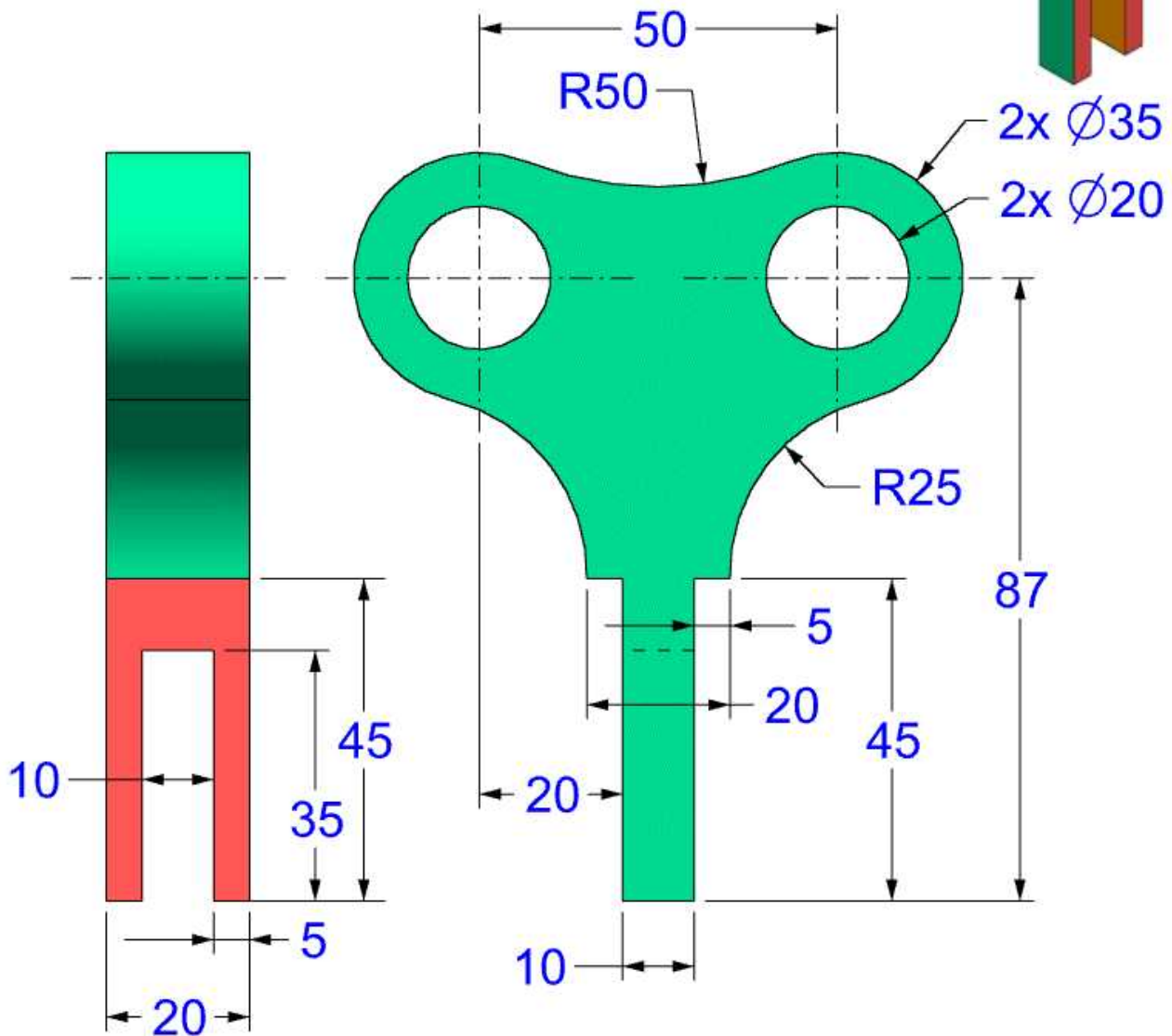
EXERCISE-06



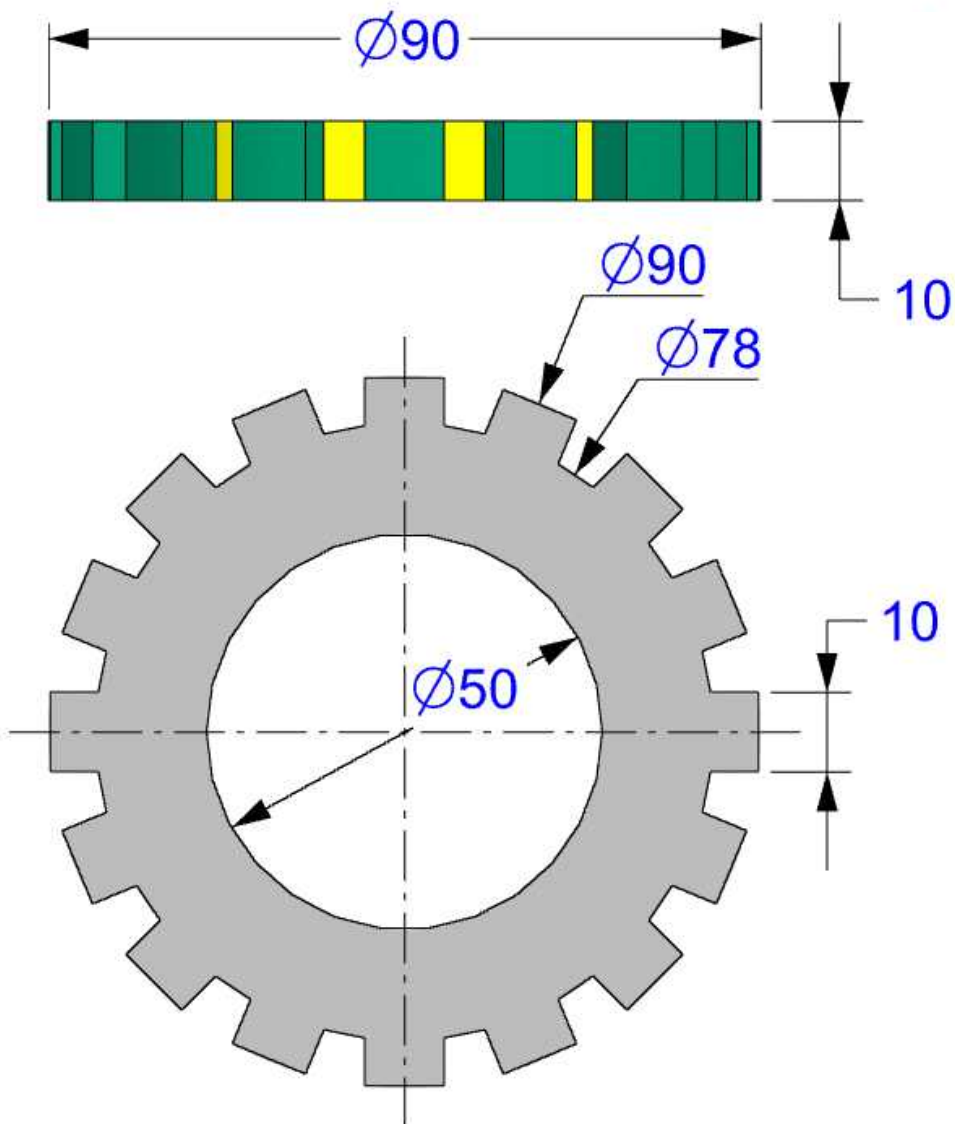
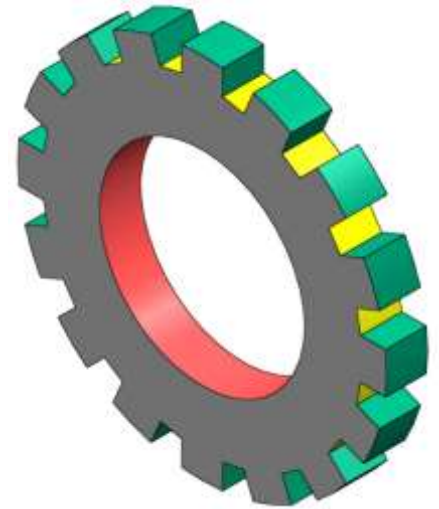
## EXERCISE-07

SECTION A-A  
(SCALE 1:1)

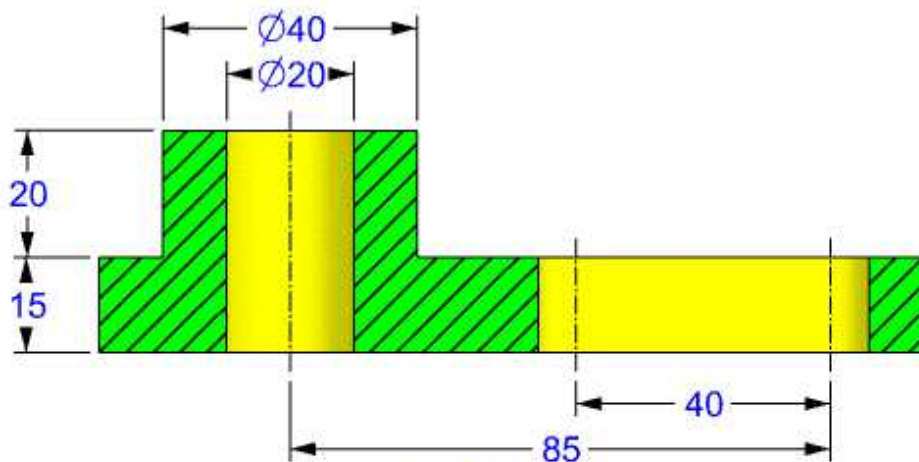
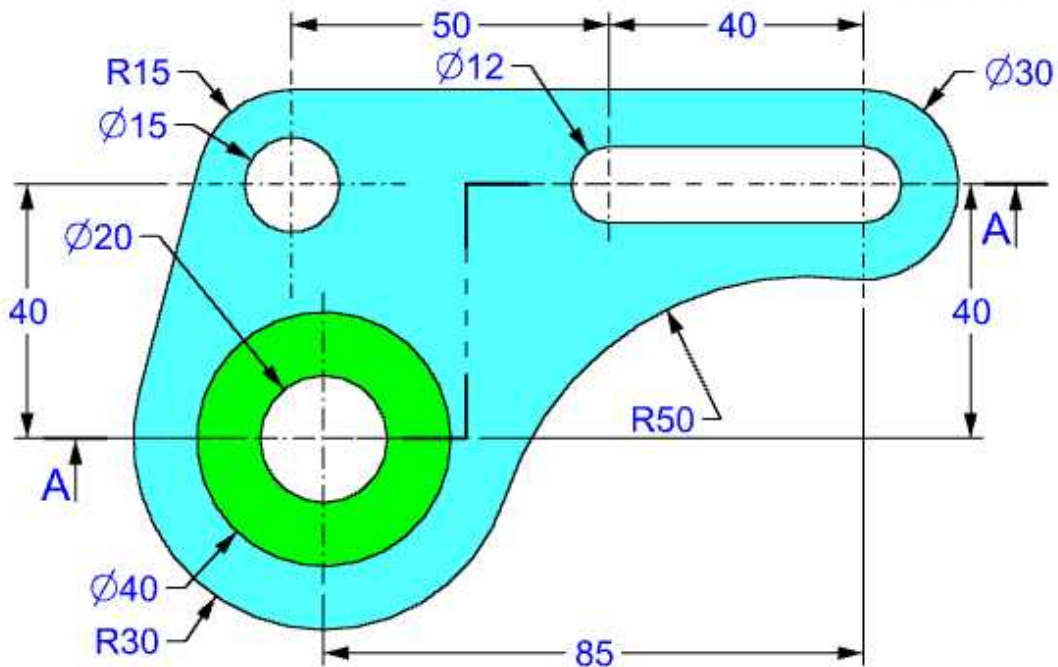
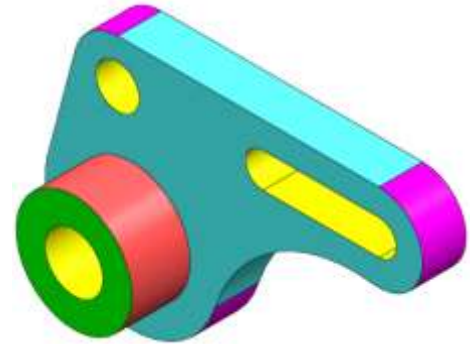
## EXERCISE-08



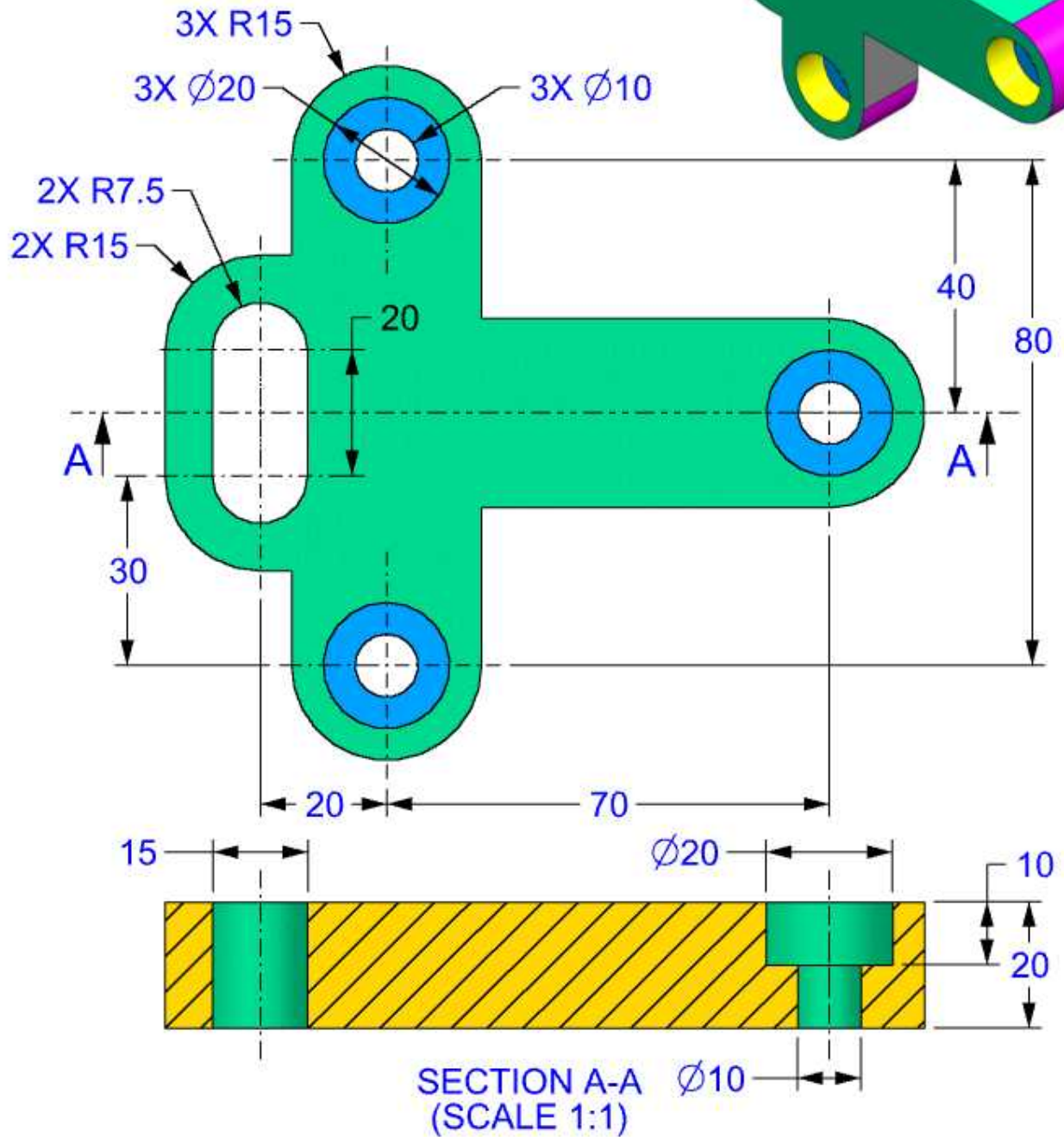
## EXERCISE-09



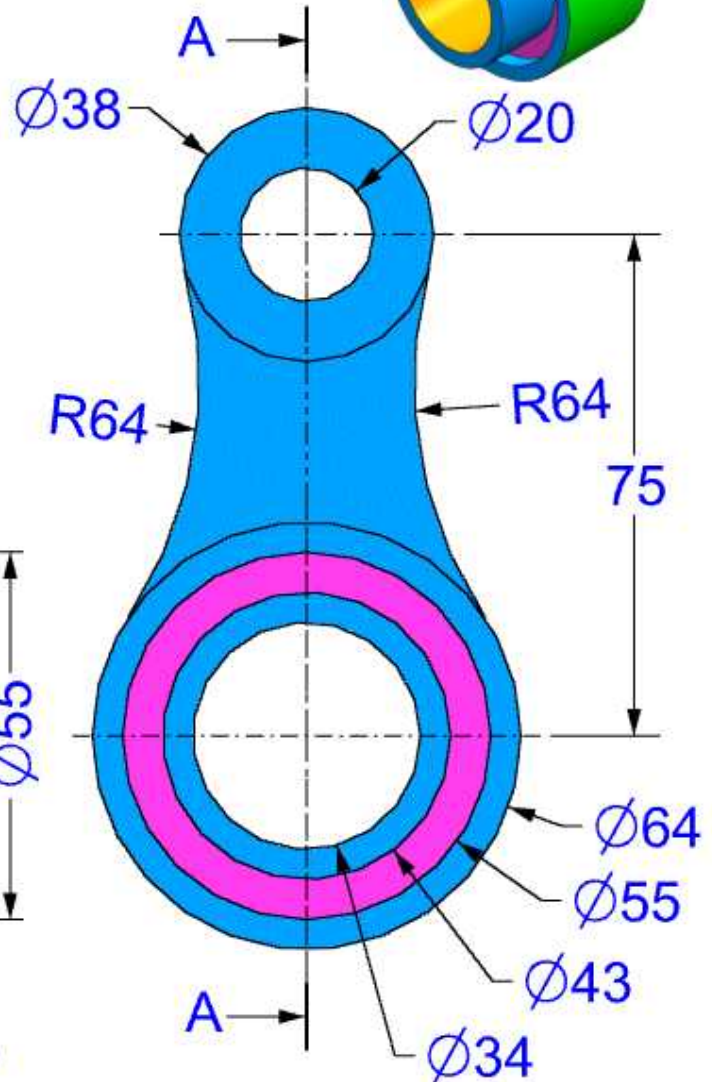
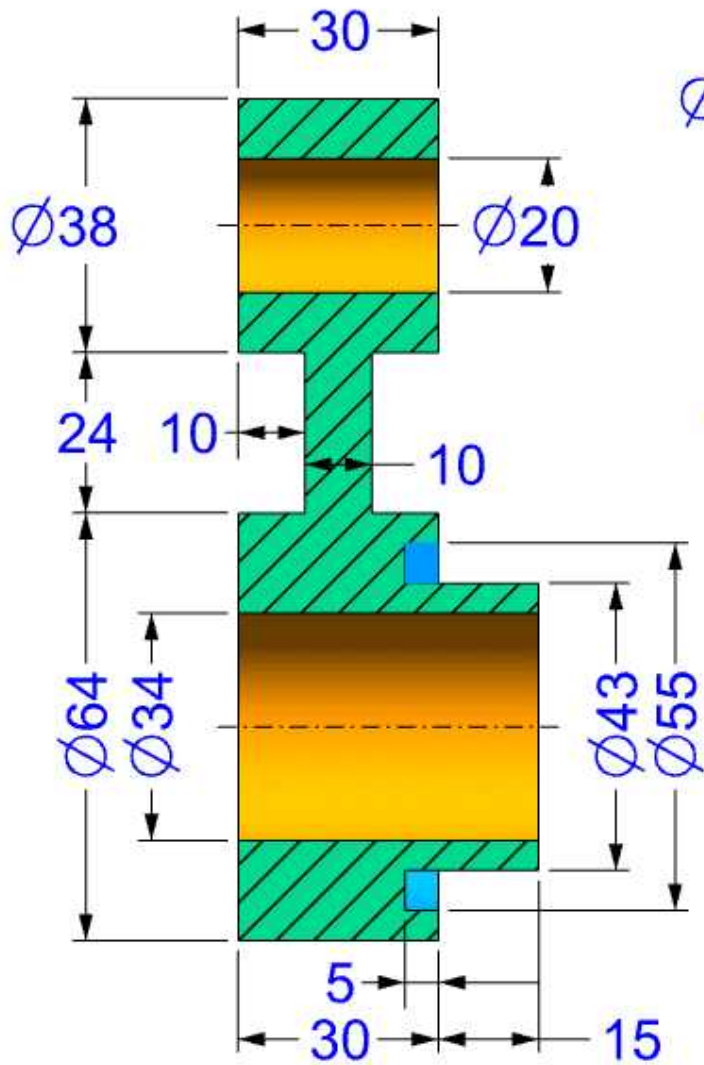
## EXERCISE-10

SECTION A-A  
(SCALE 1:1)

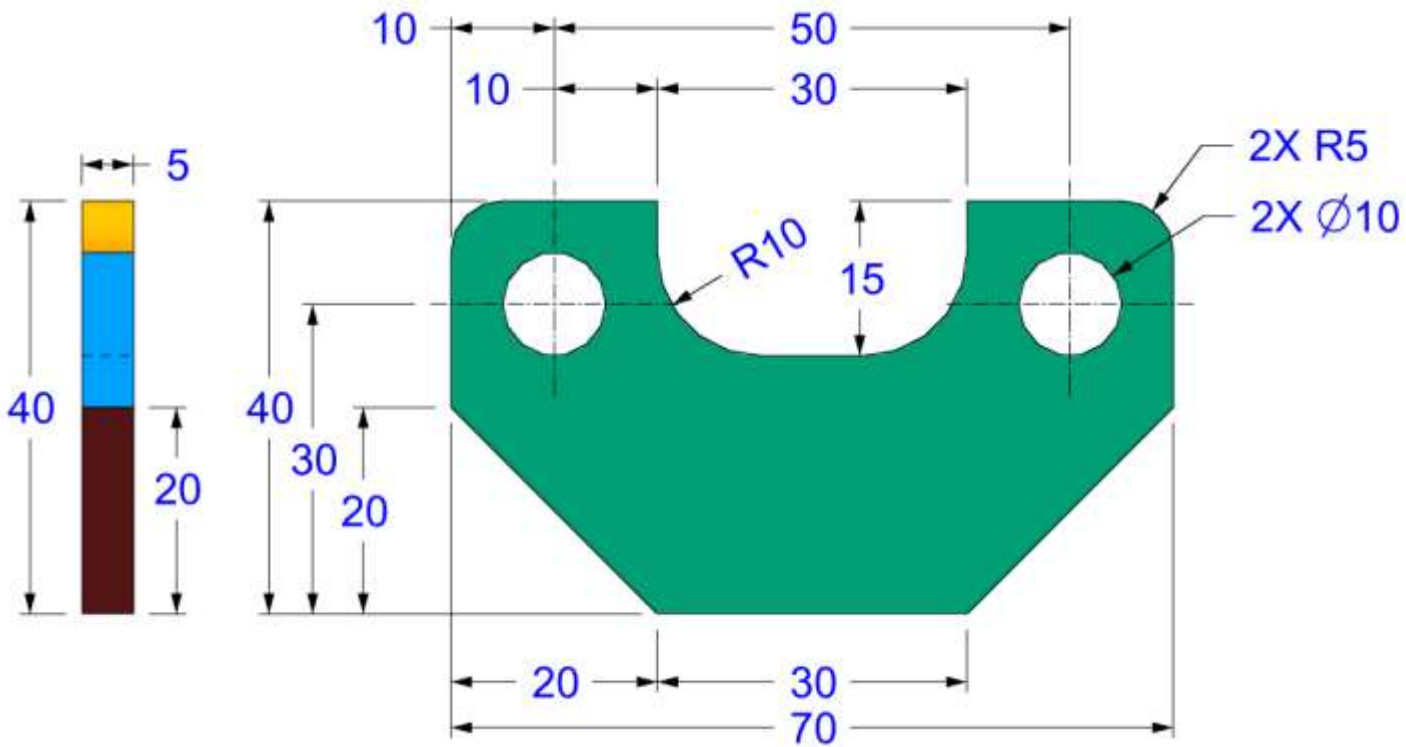
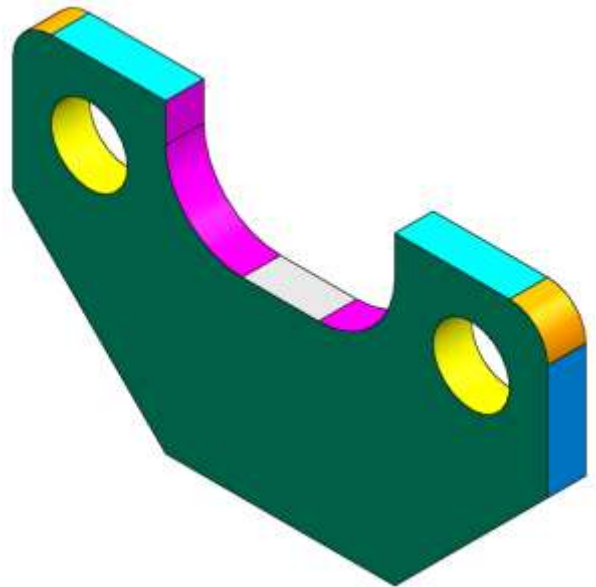
## EXERCISE-11



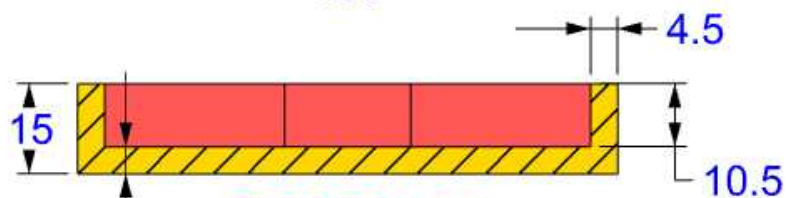
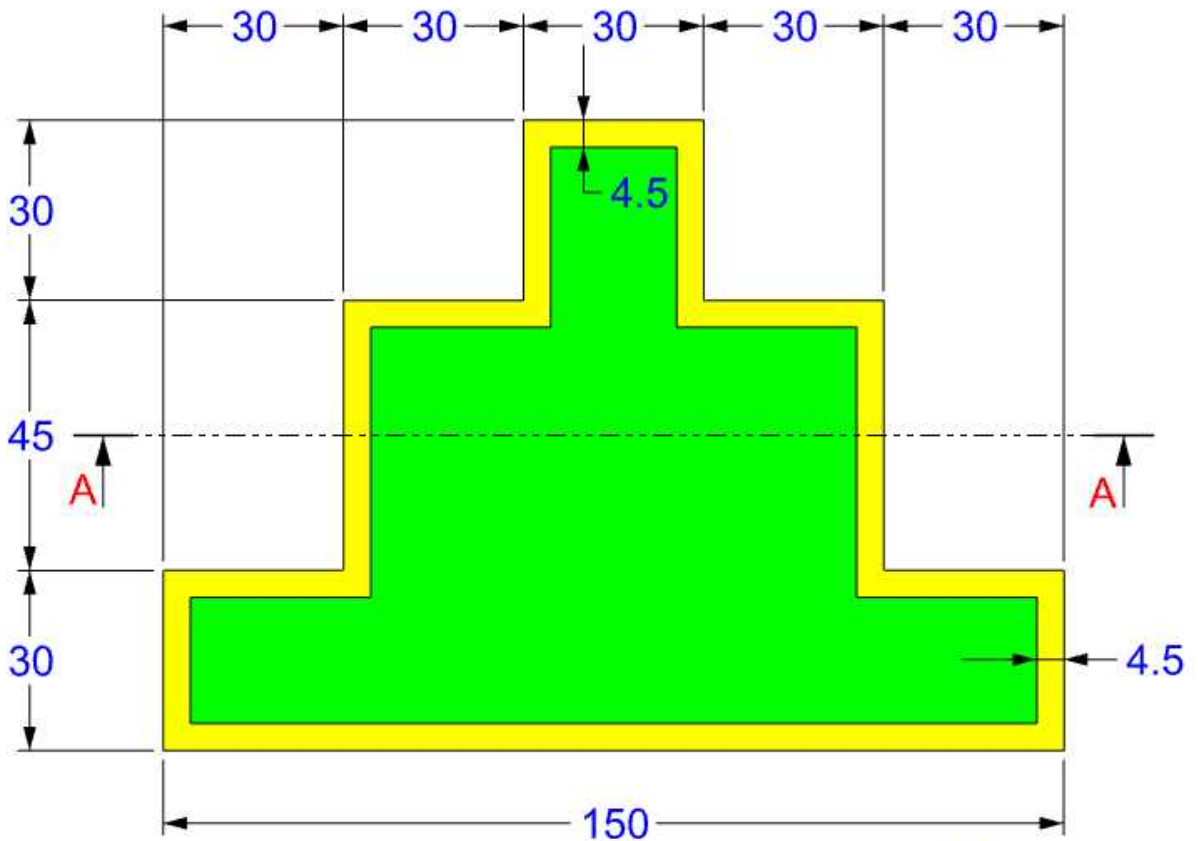
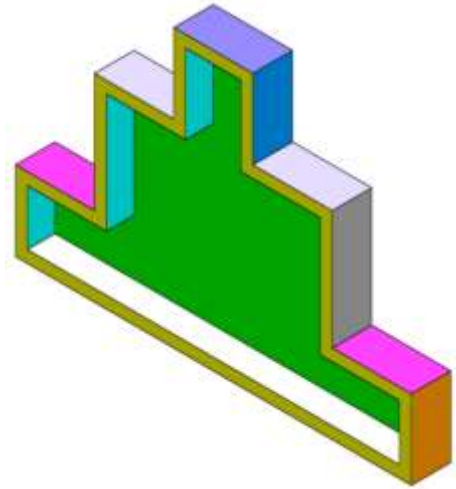
## EXERCISE-12



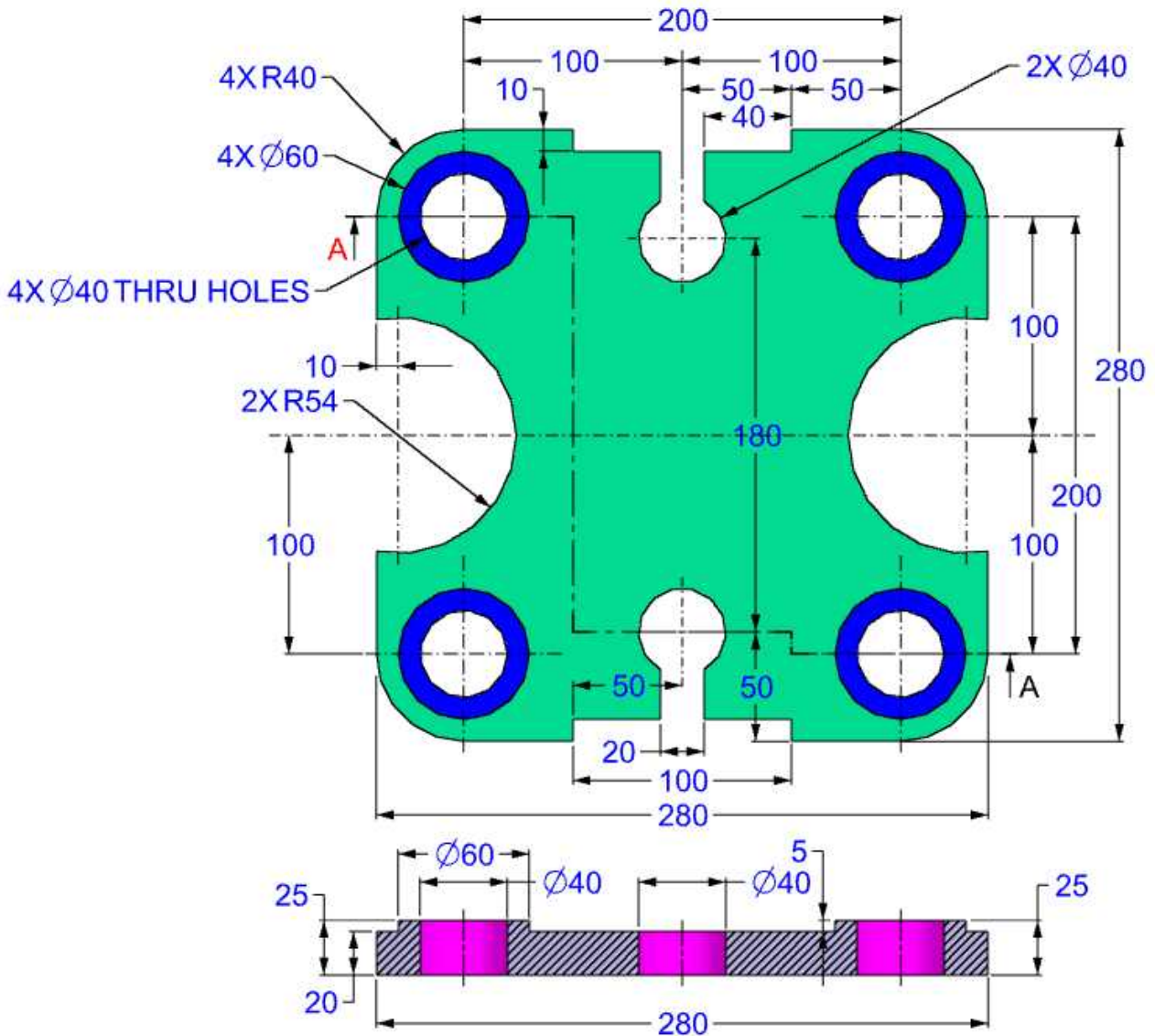
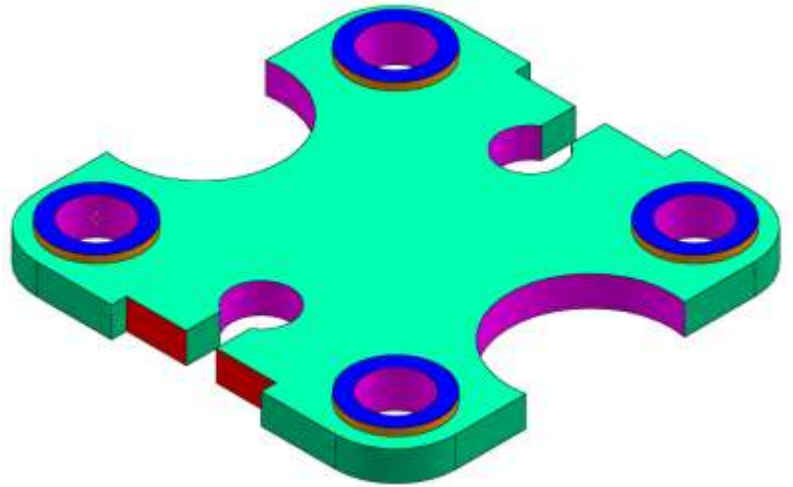
## EXERCISE-13



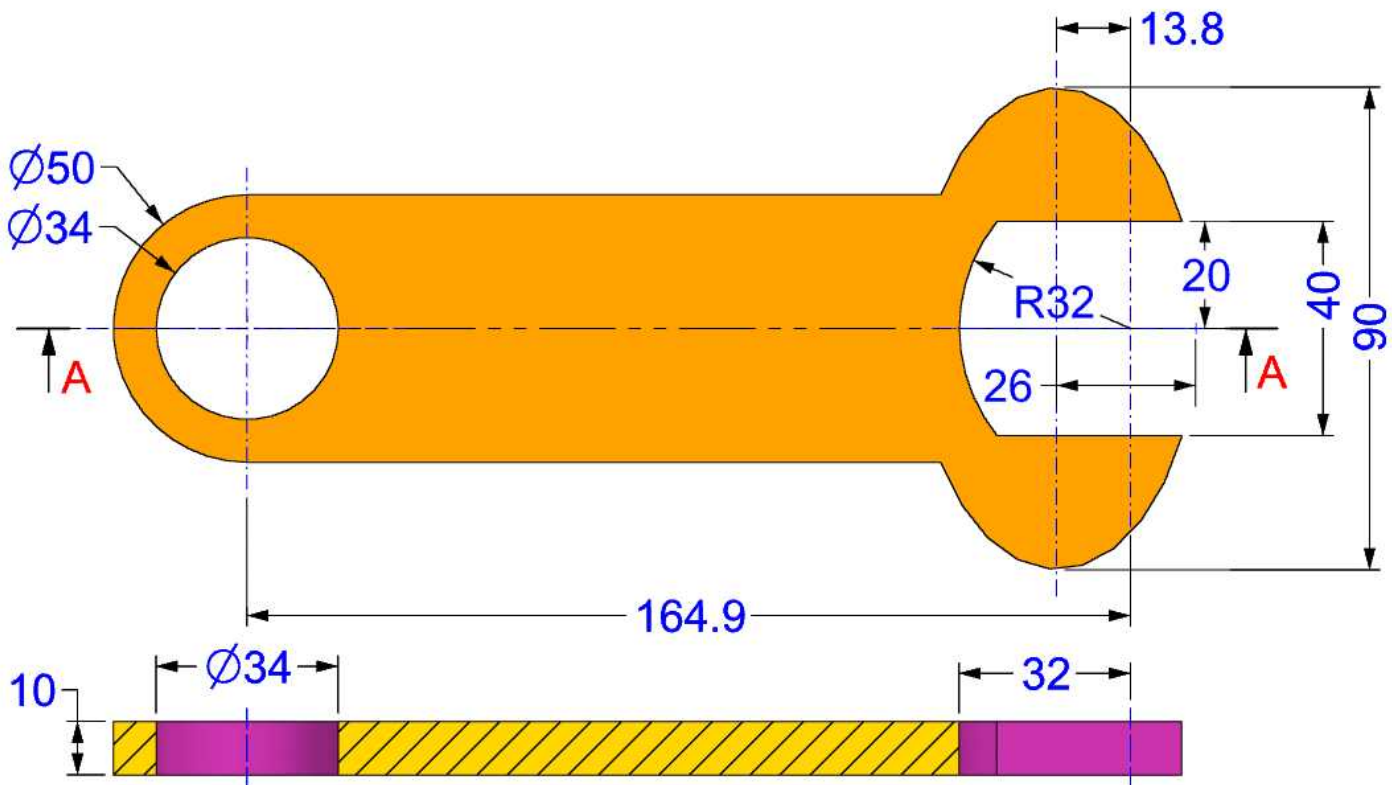
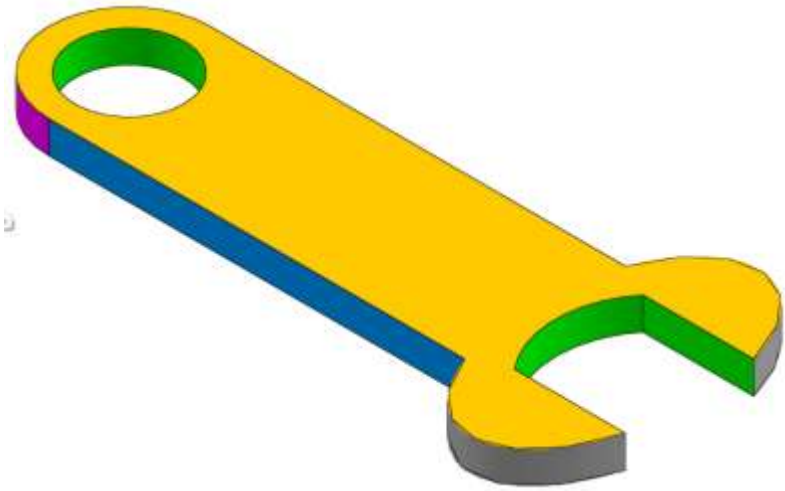
## EXERCISE-14



## EXERCISE-15

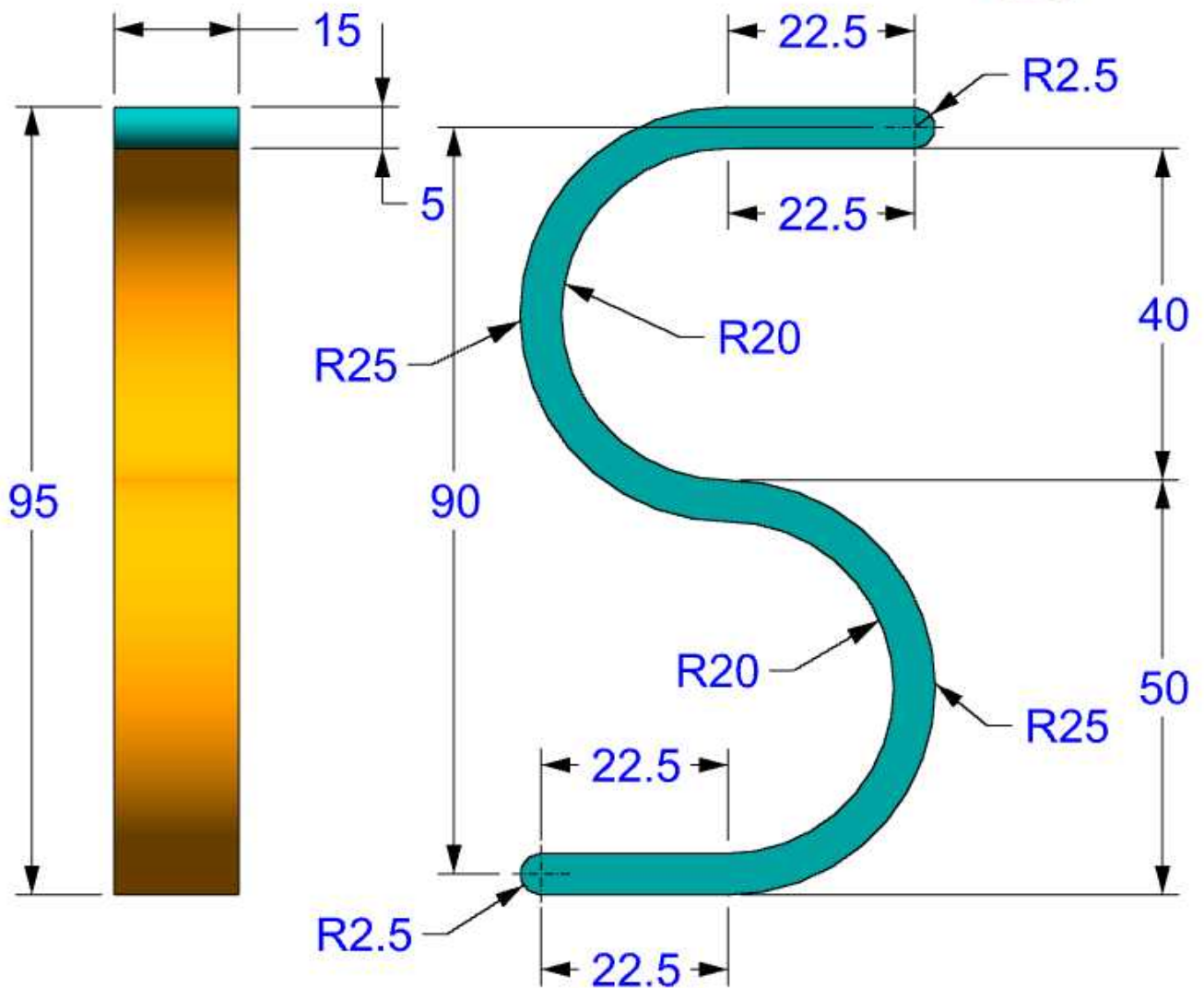


## EXERCISE-16

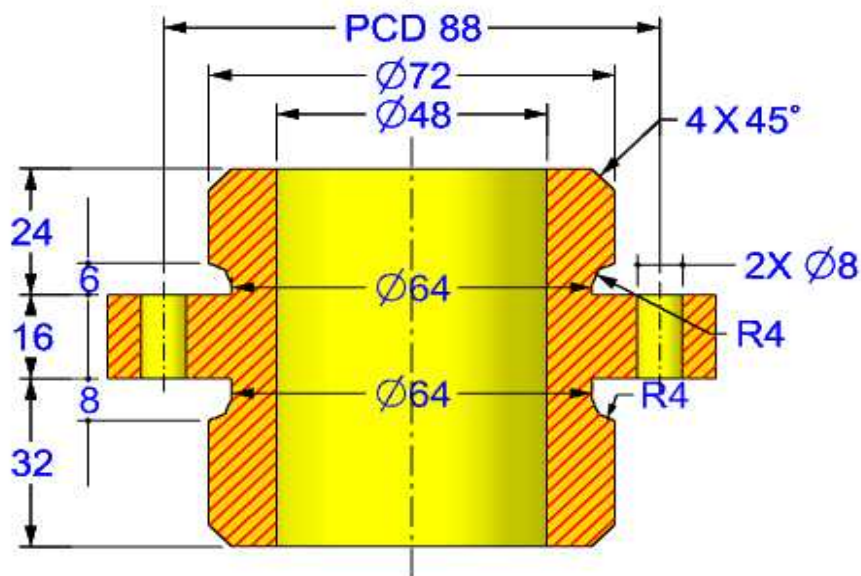
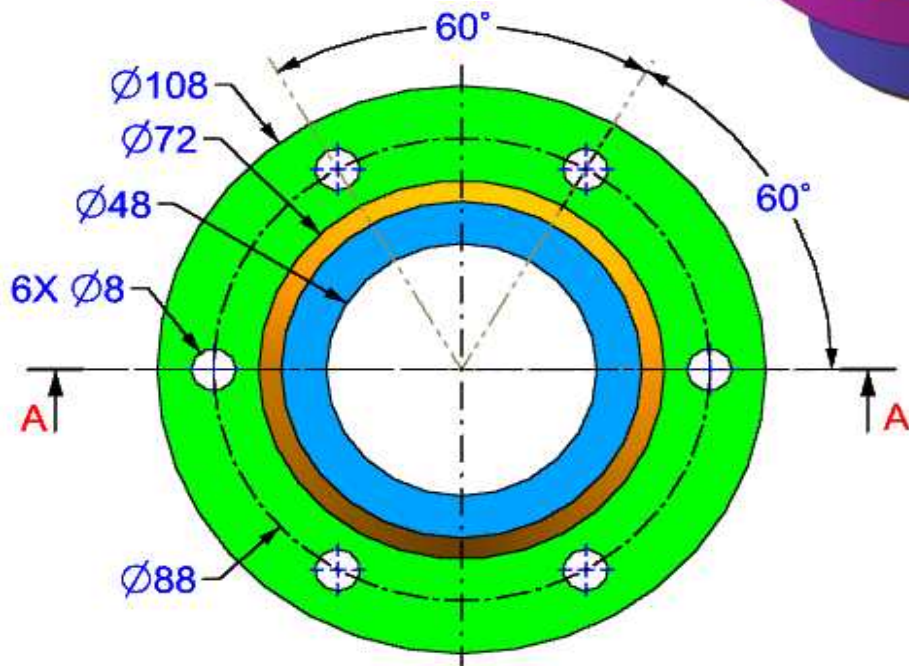
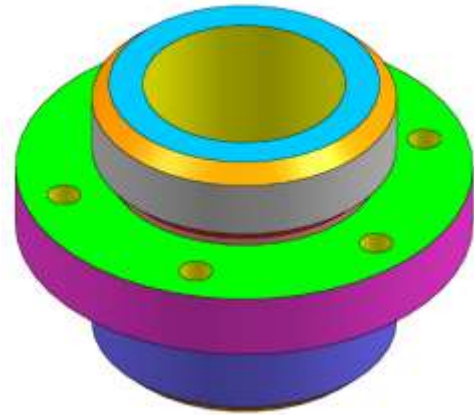


(SCALE 1:1) SECTION A-A

## EXERCISE-17

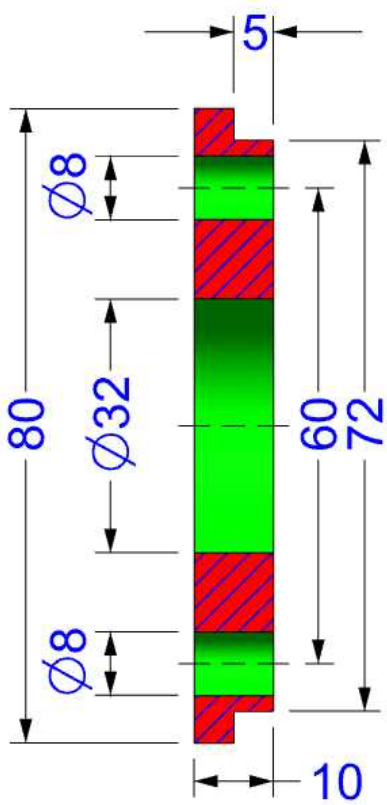
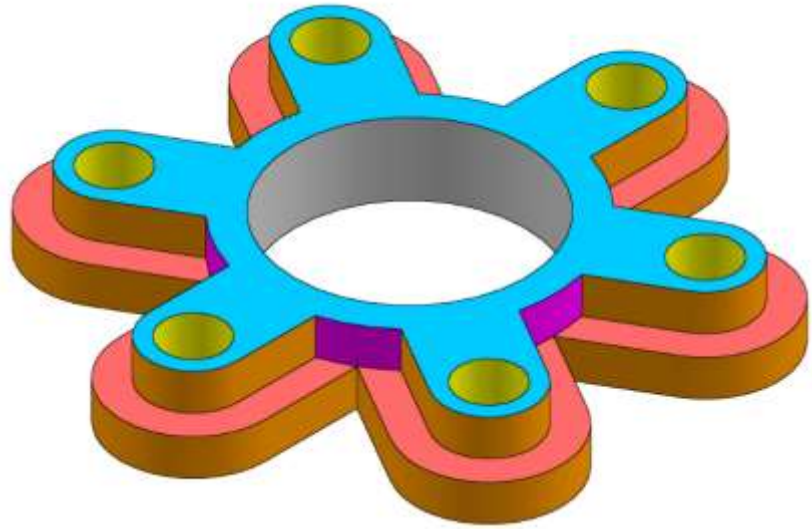


## EXERCISE-18

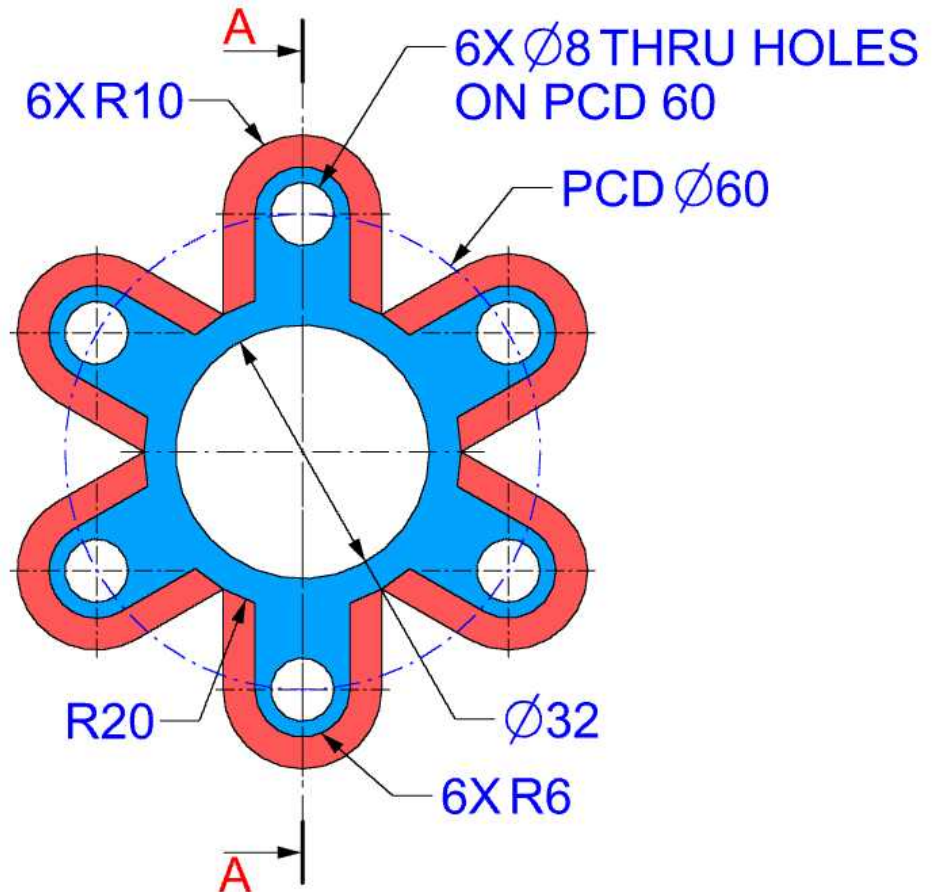


(SCALE 1:1) SECTION A-A

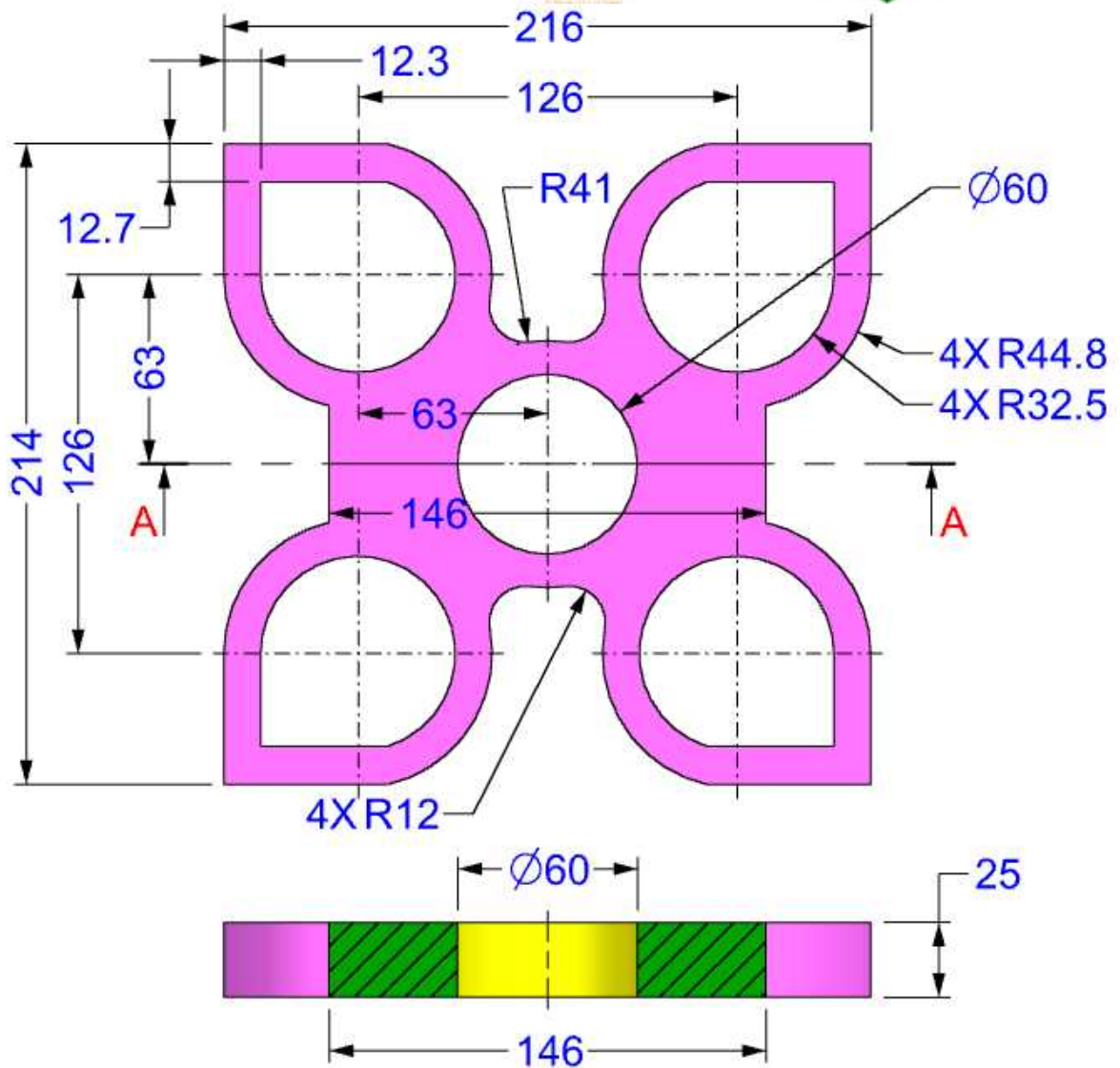
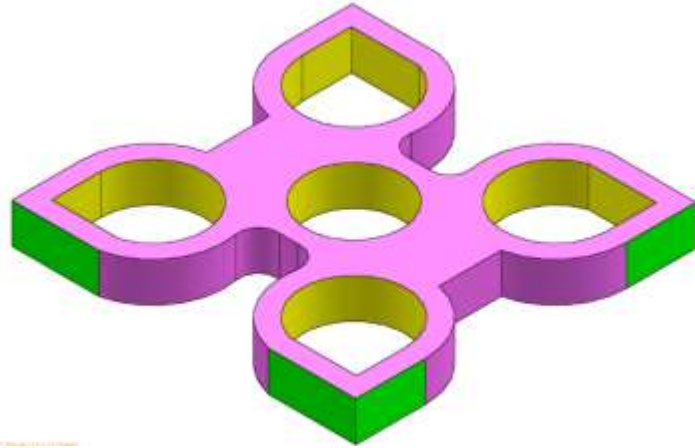
## EXERCISE-19



SECTION A-A

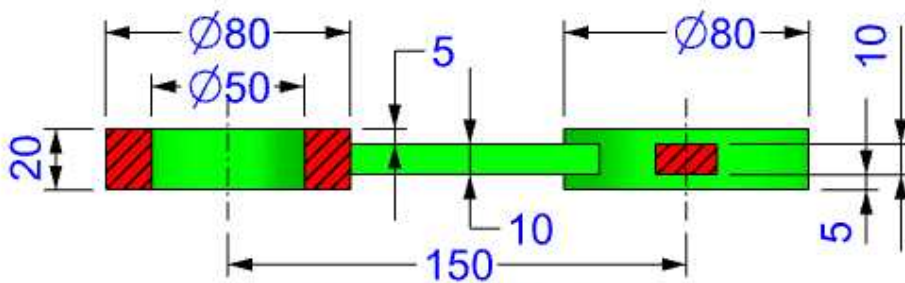
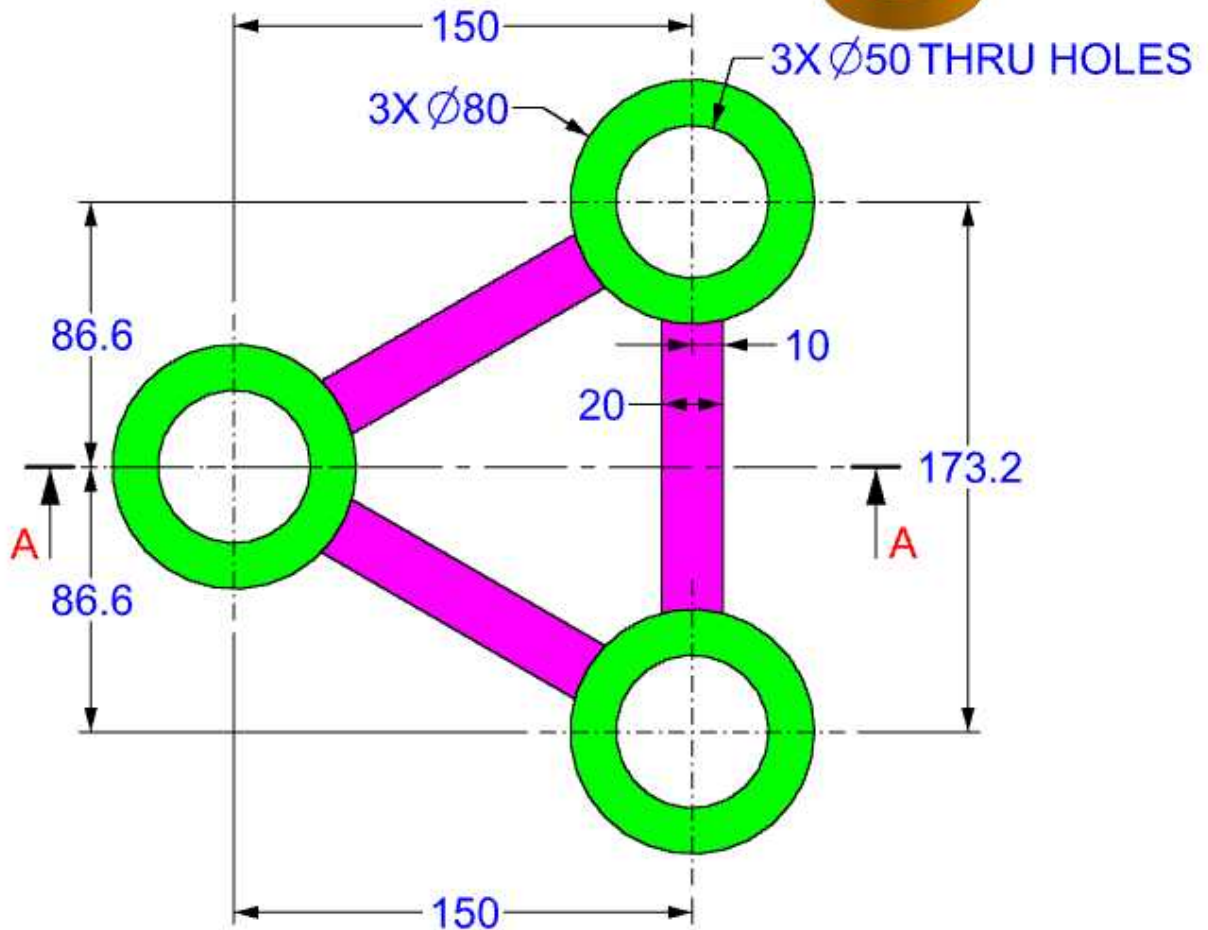
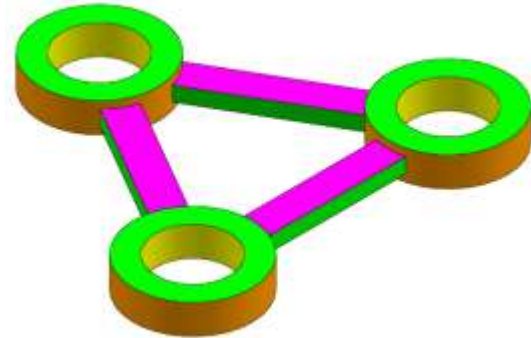


## EXERCISE-20



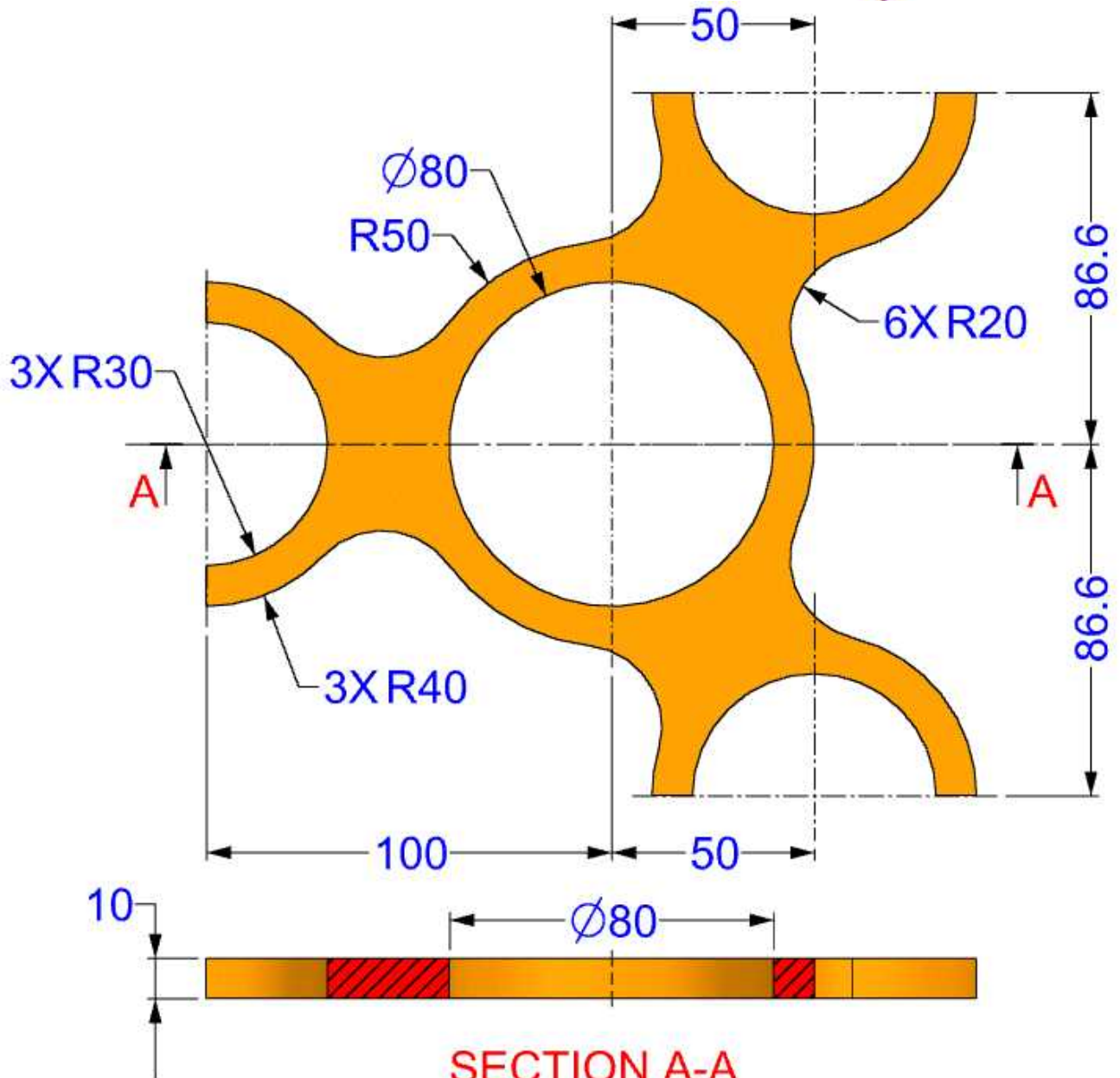
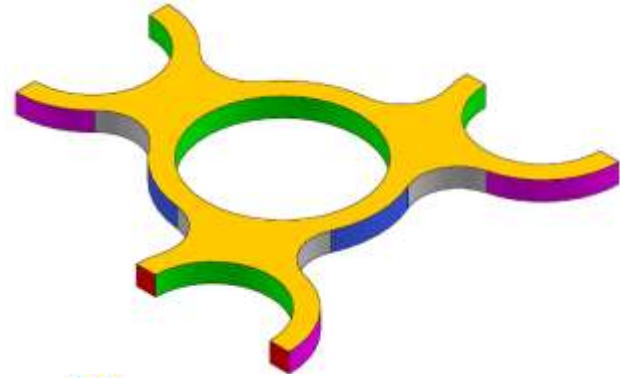
SECTION A-A

## EXERCISE-21

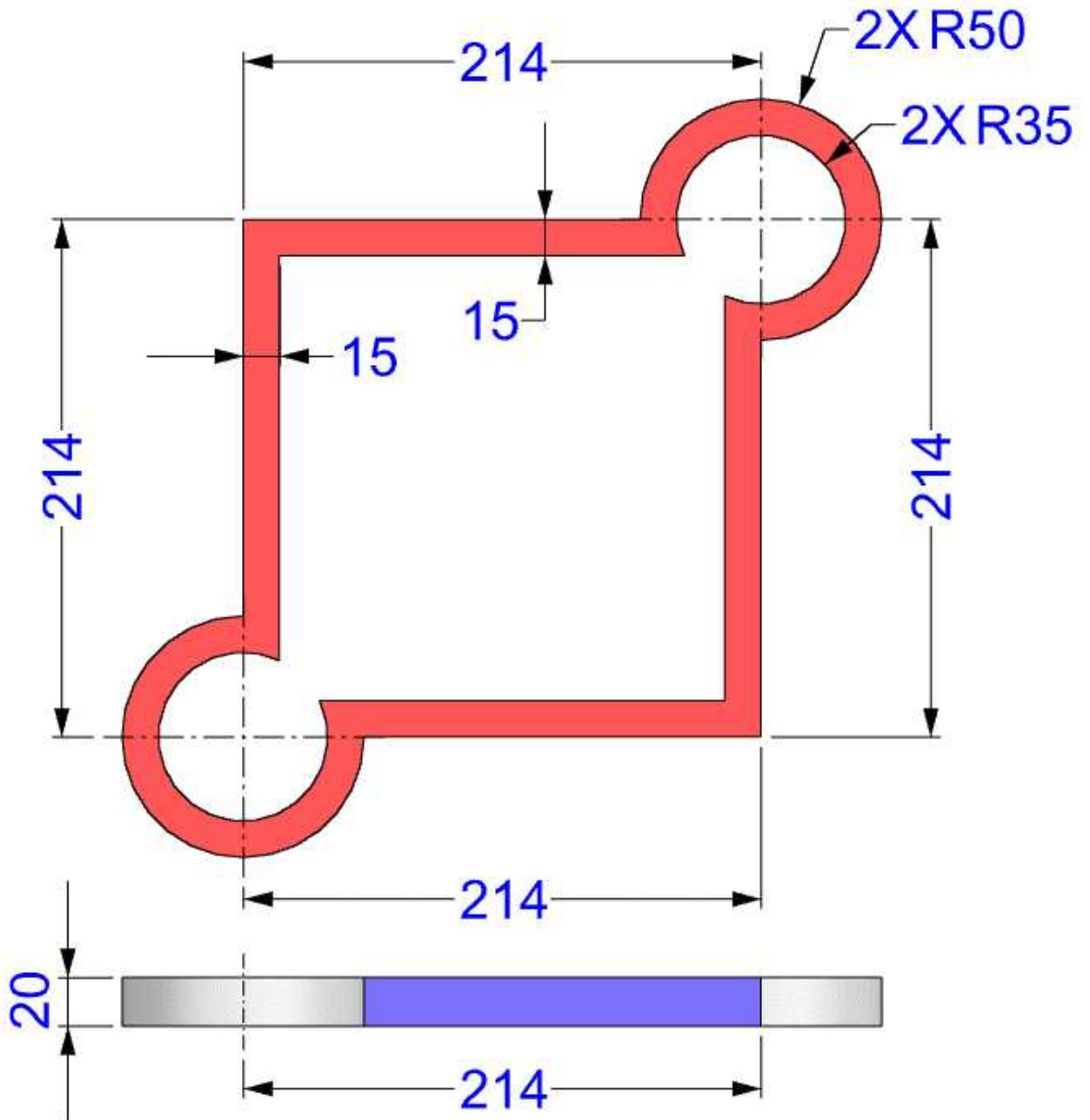
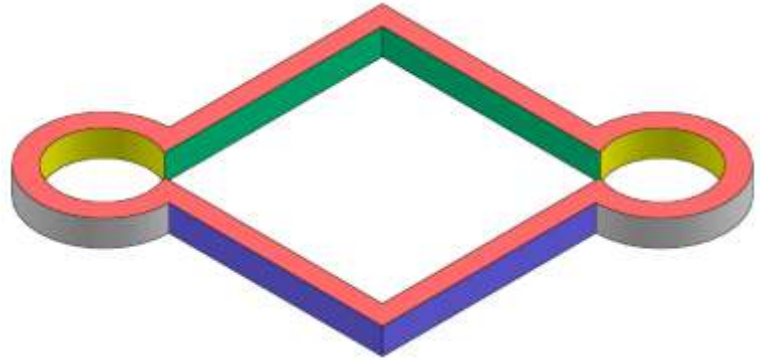


SECTION A-A

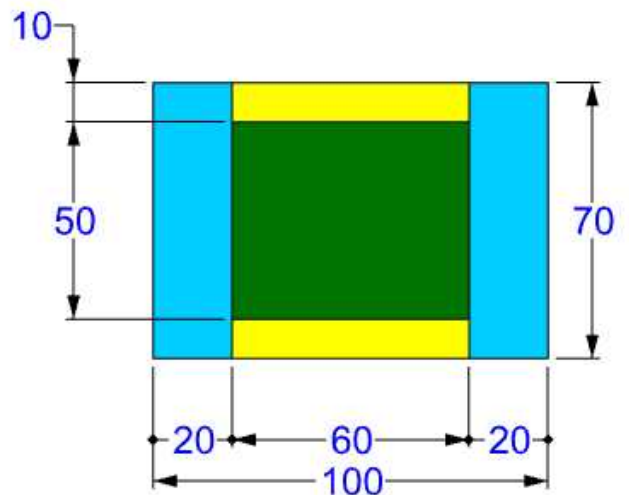
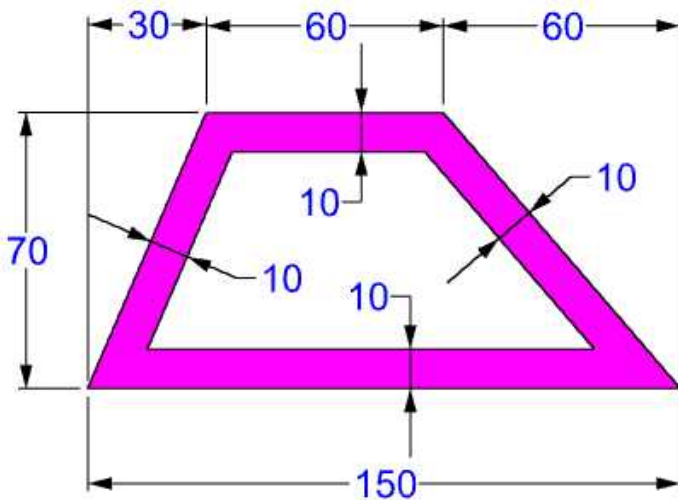
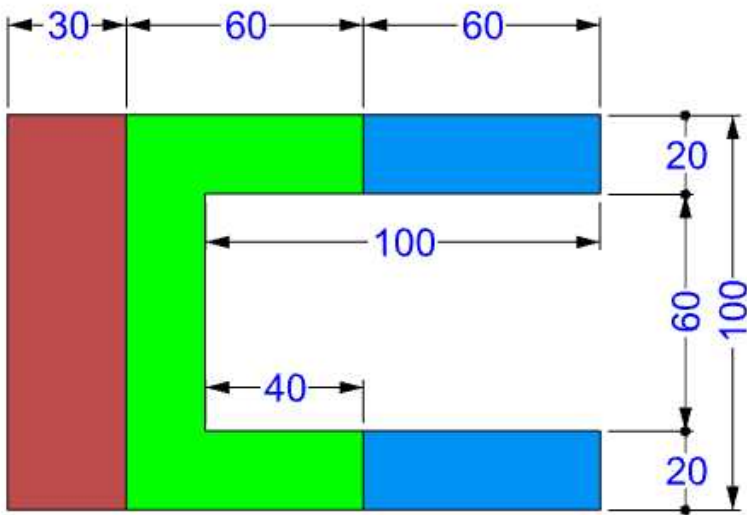
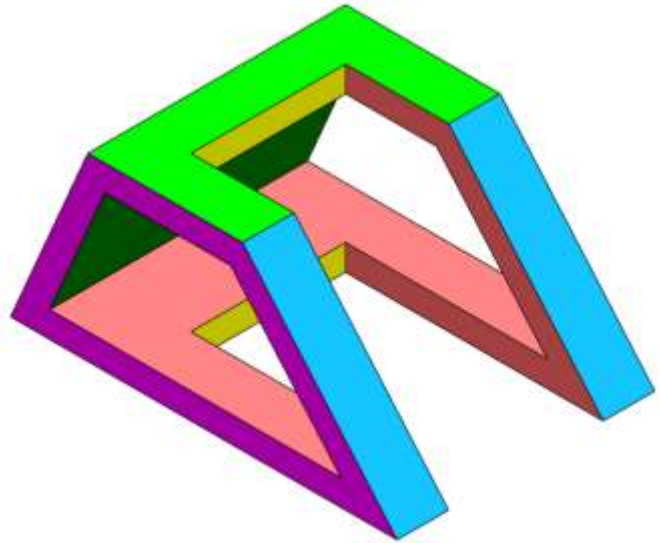
## EXERCISE-22



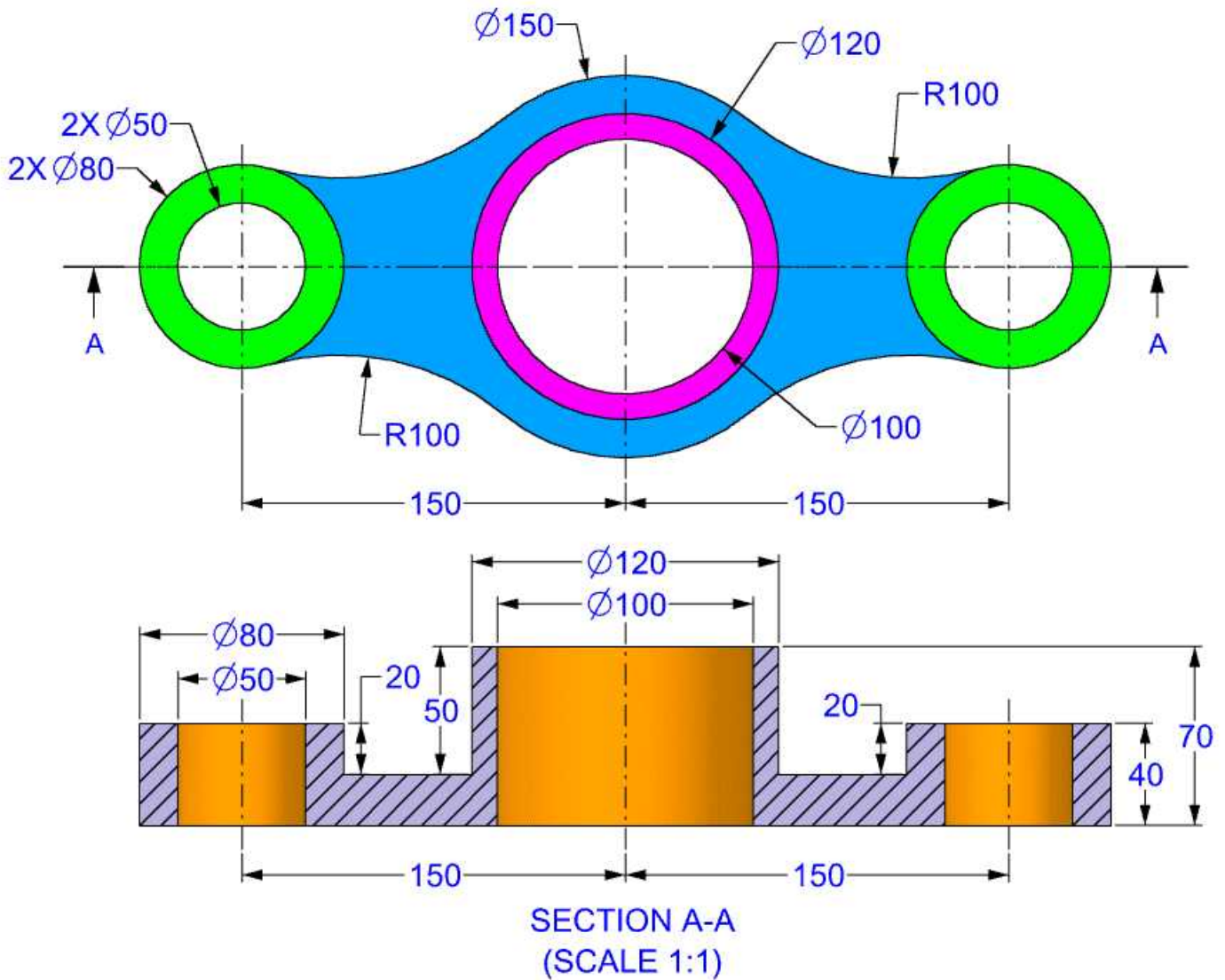
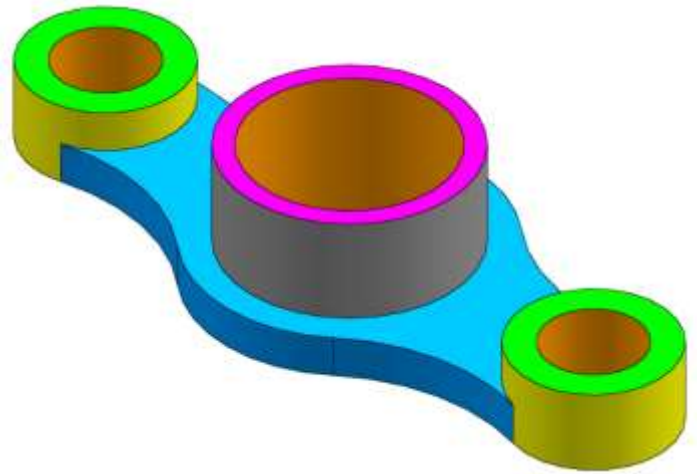
## EXERCISE-23



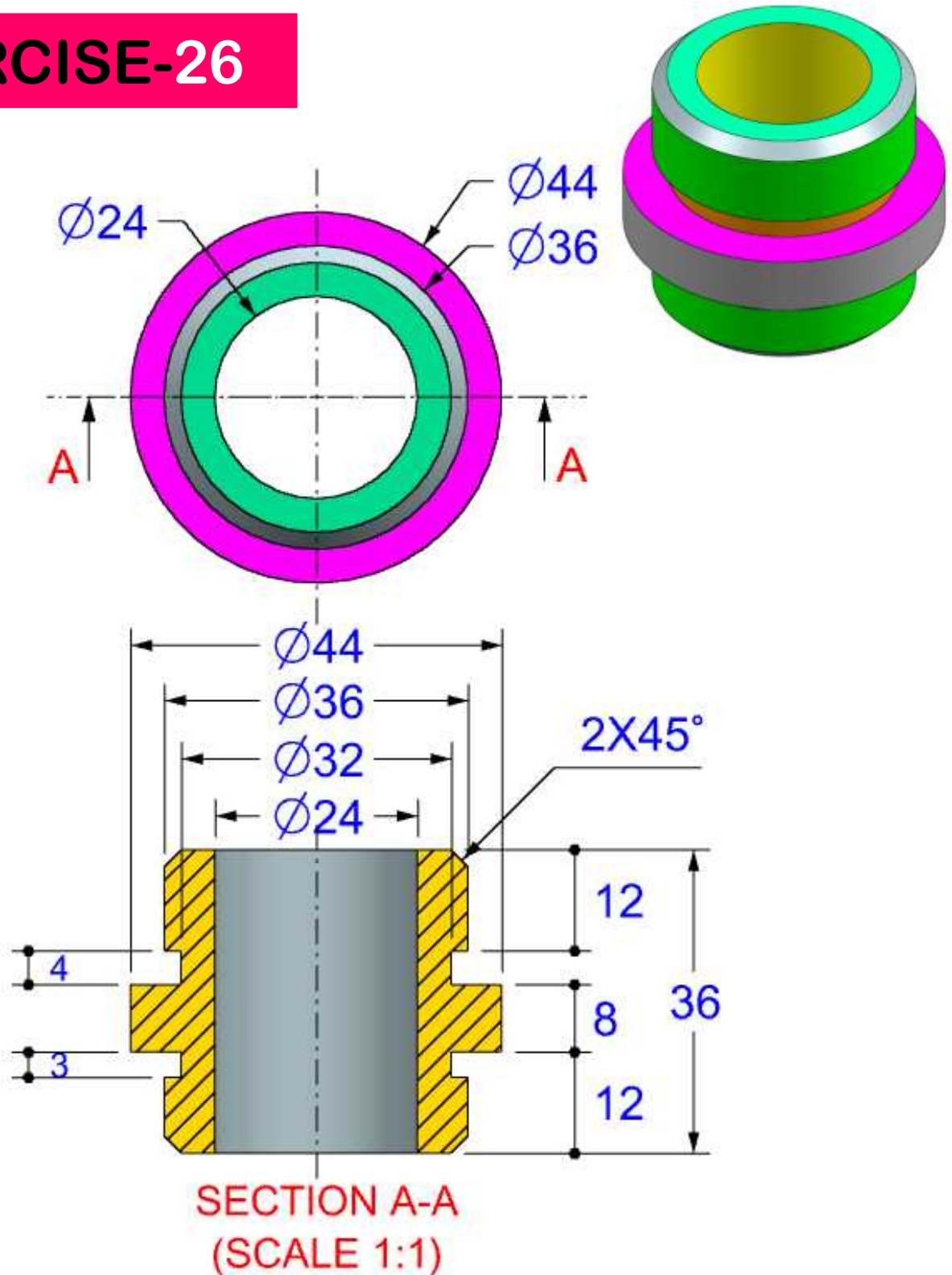
## EXERCISE-24



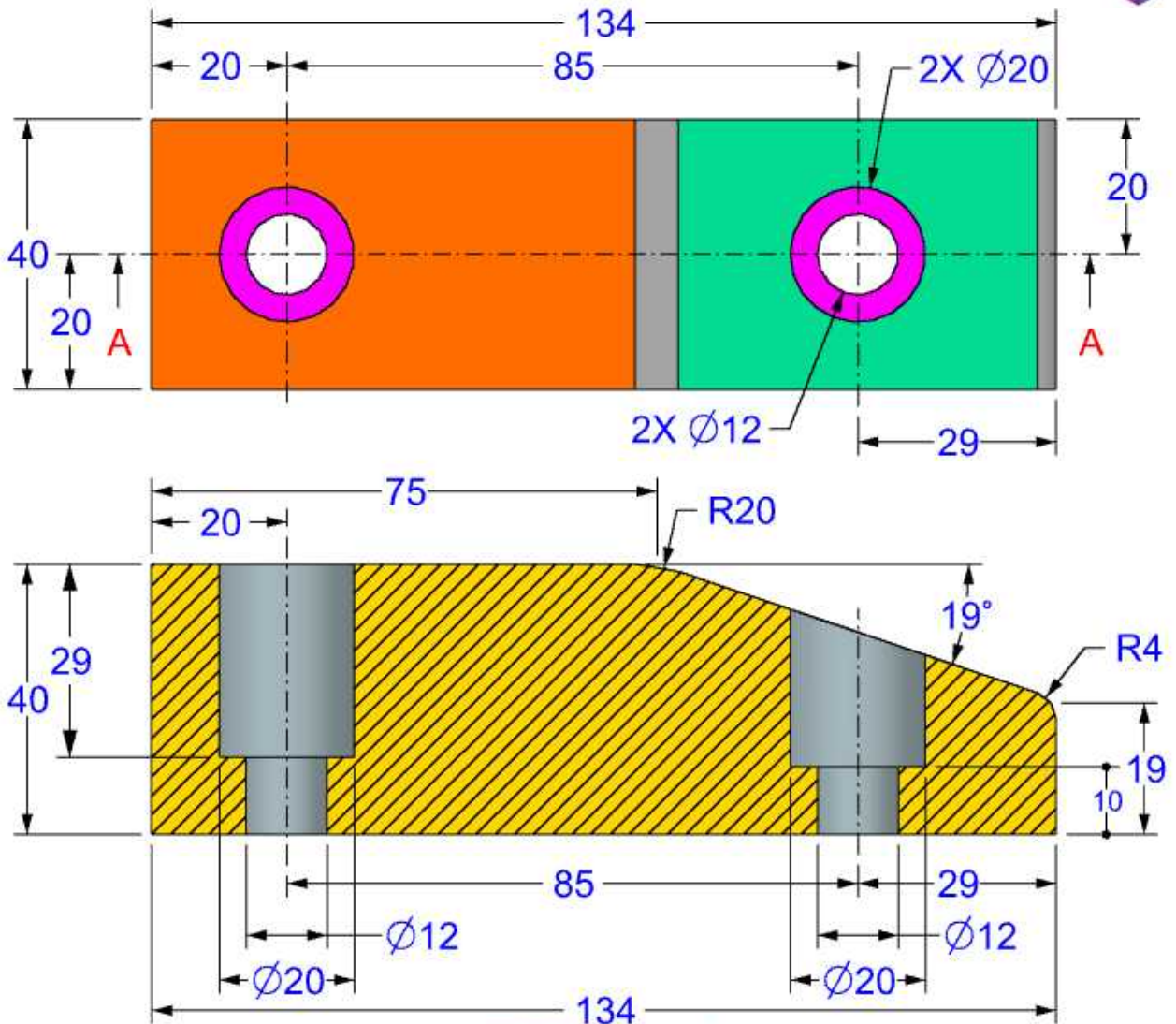
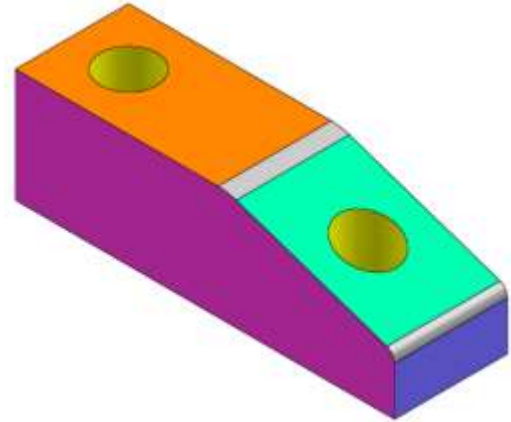
## EXERCISE-25



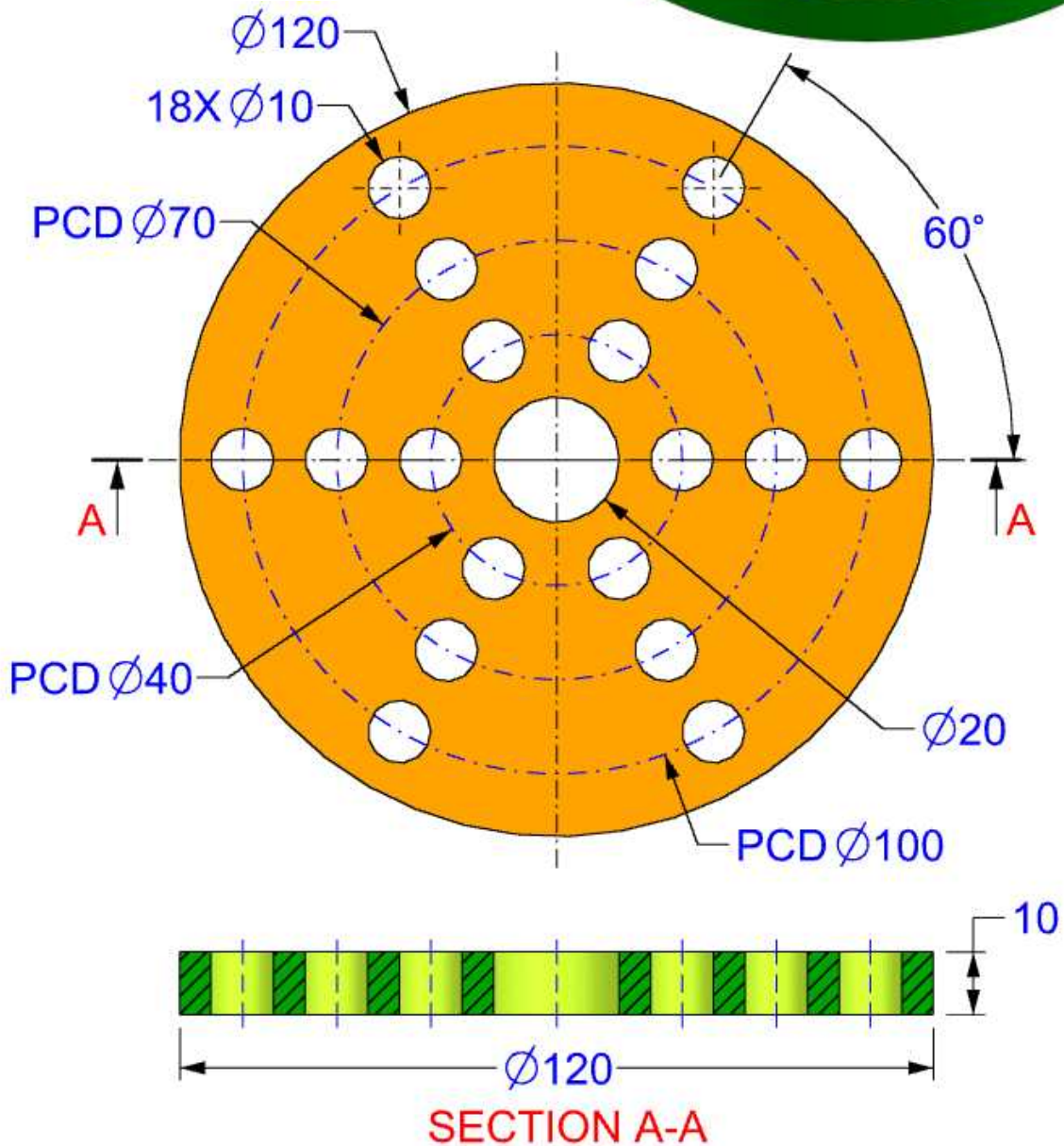
## EXERCISE-26



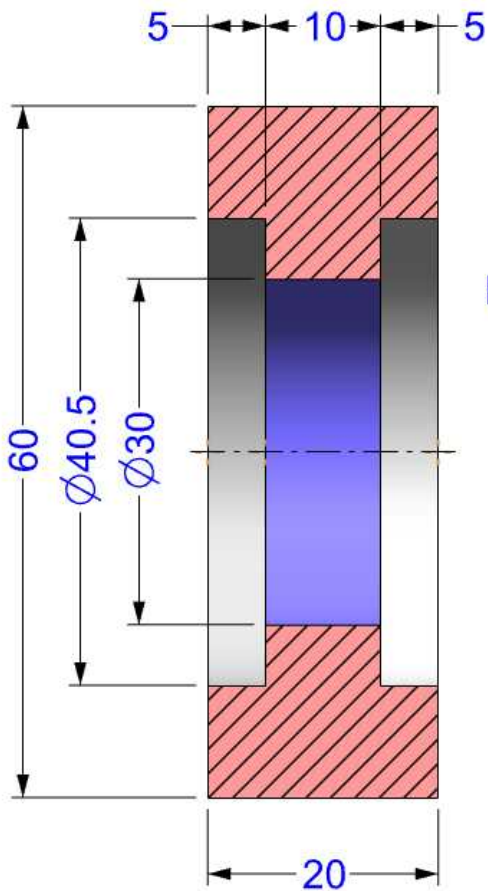
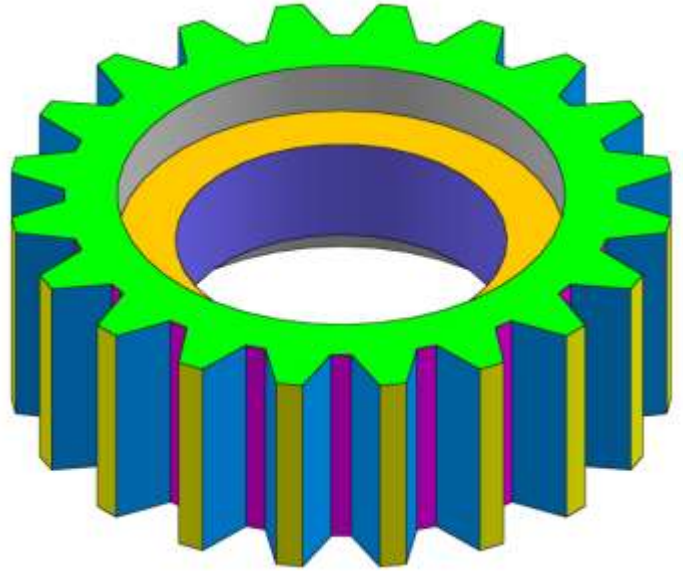
## EXERCISE-27

SECTION A-A  
(SCALE 1:1)

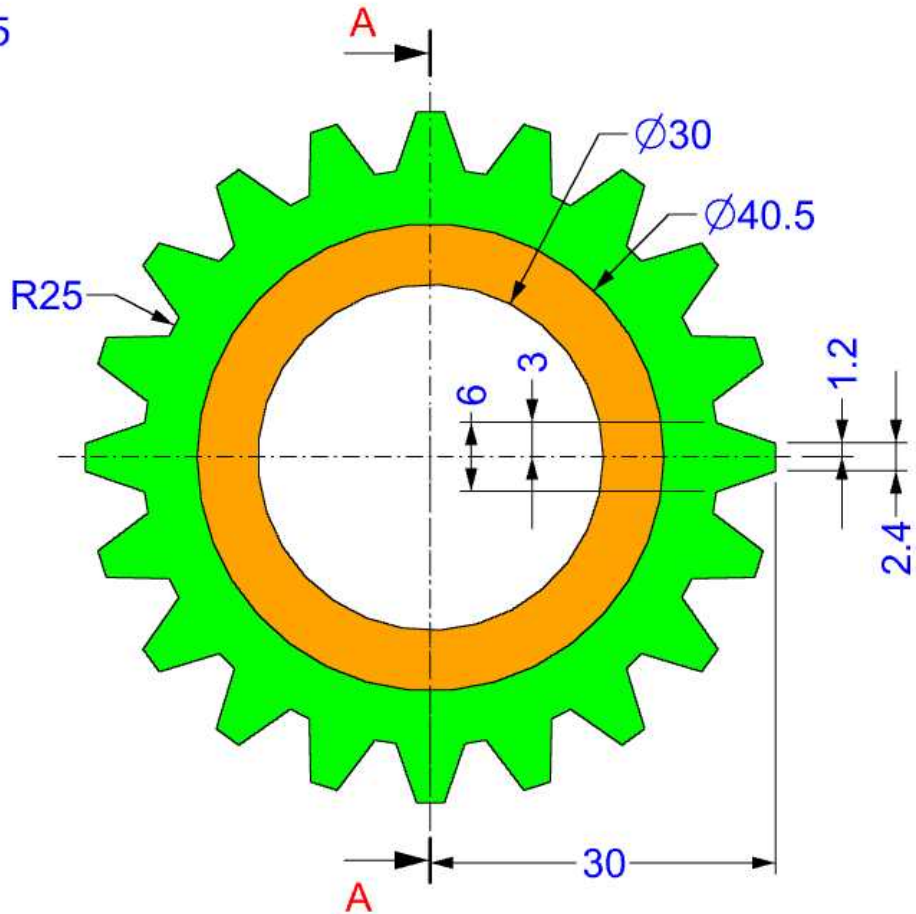
## EXERCISE-28



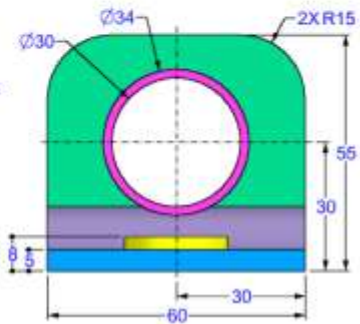
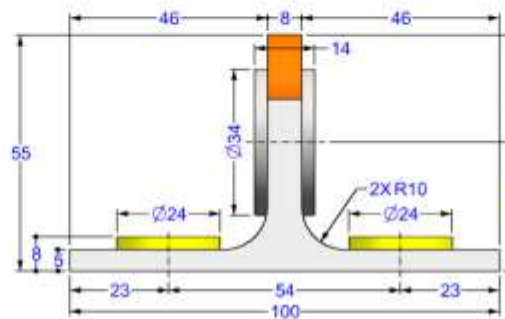
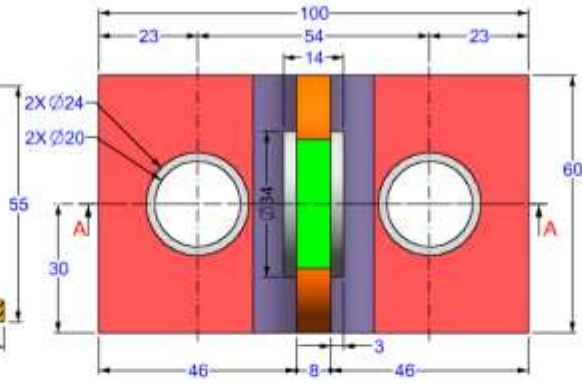
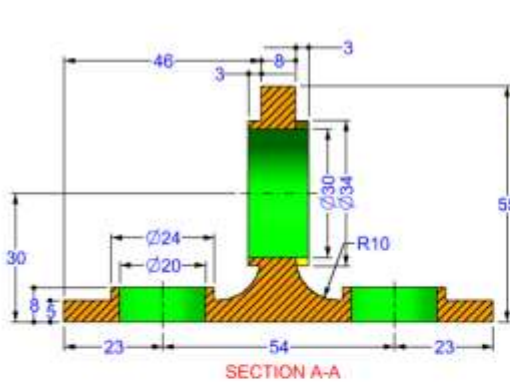
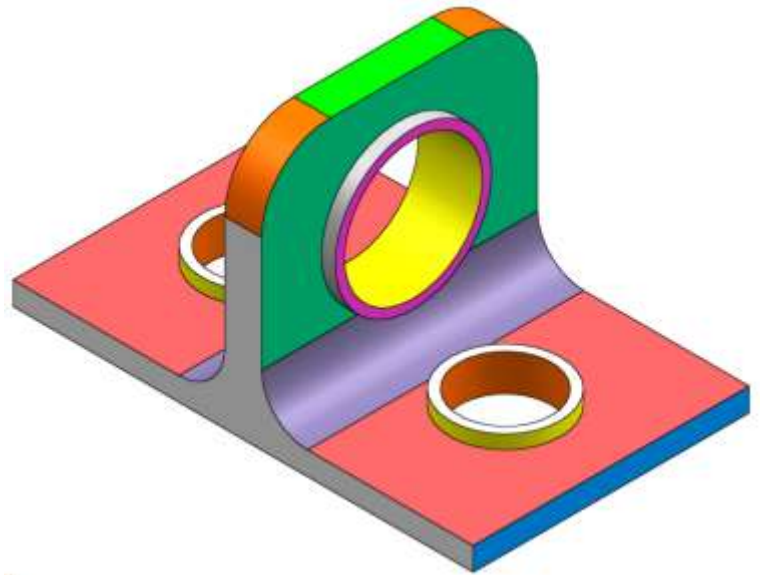
## EXERCISE-29



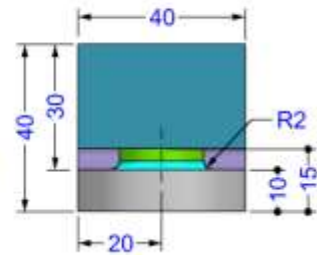
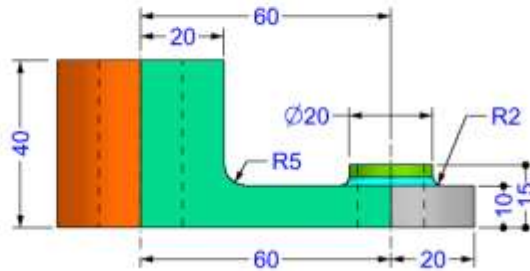
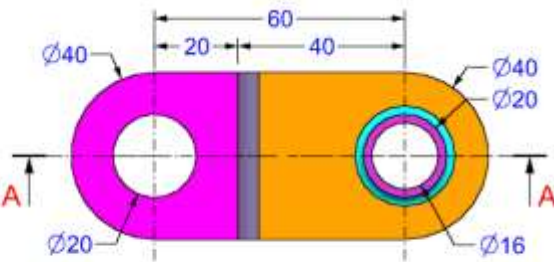
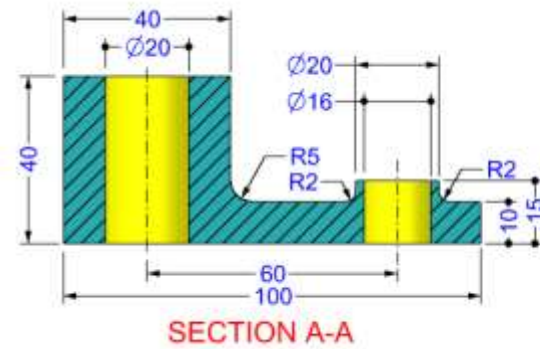
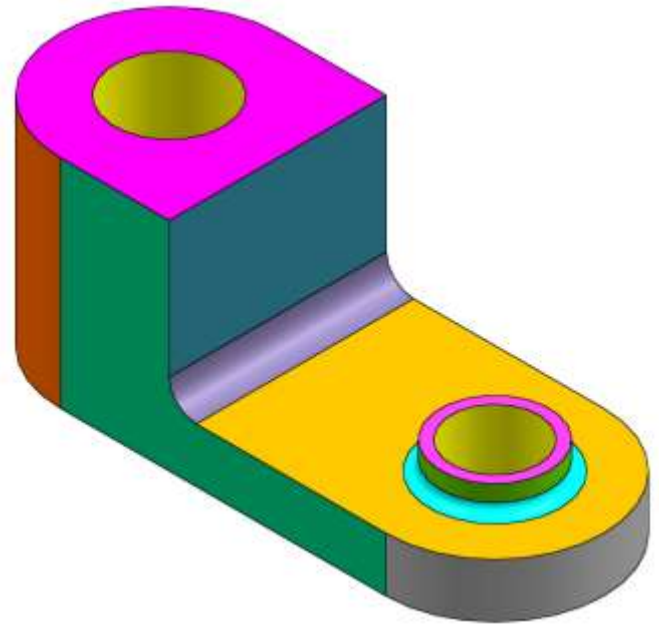
SECTION A-A

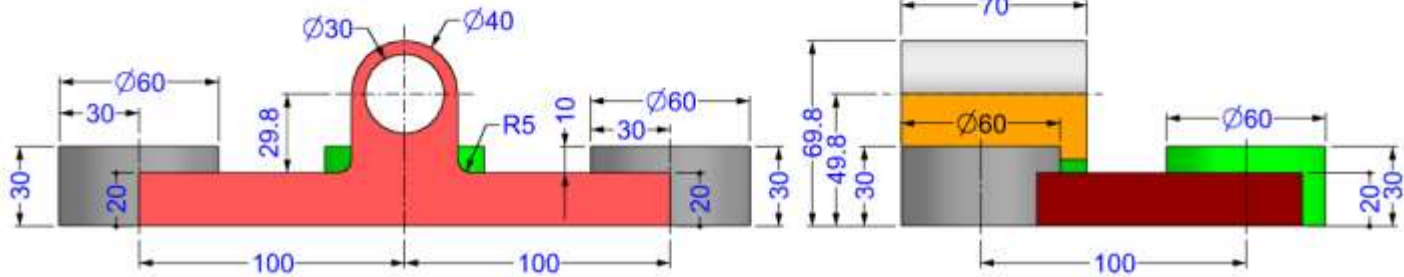
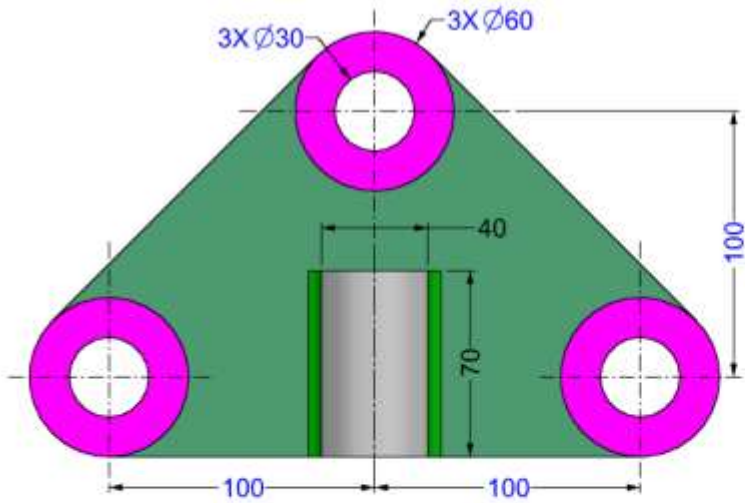
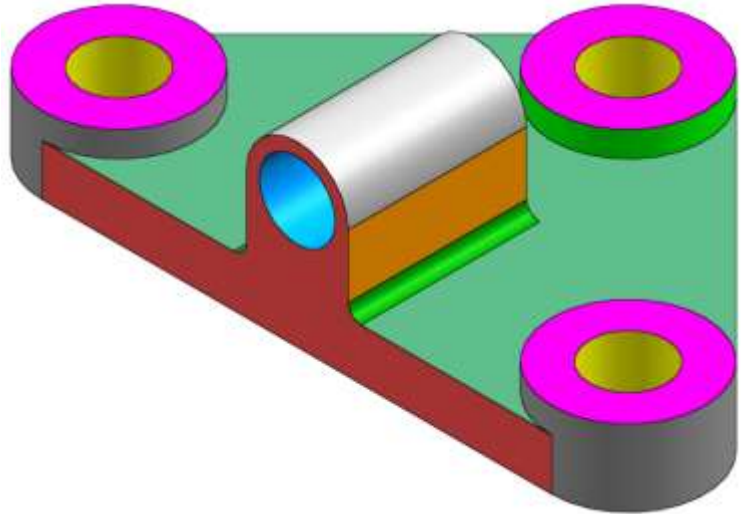


## EXERCISE-30

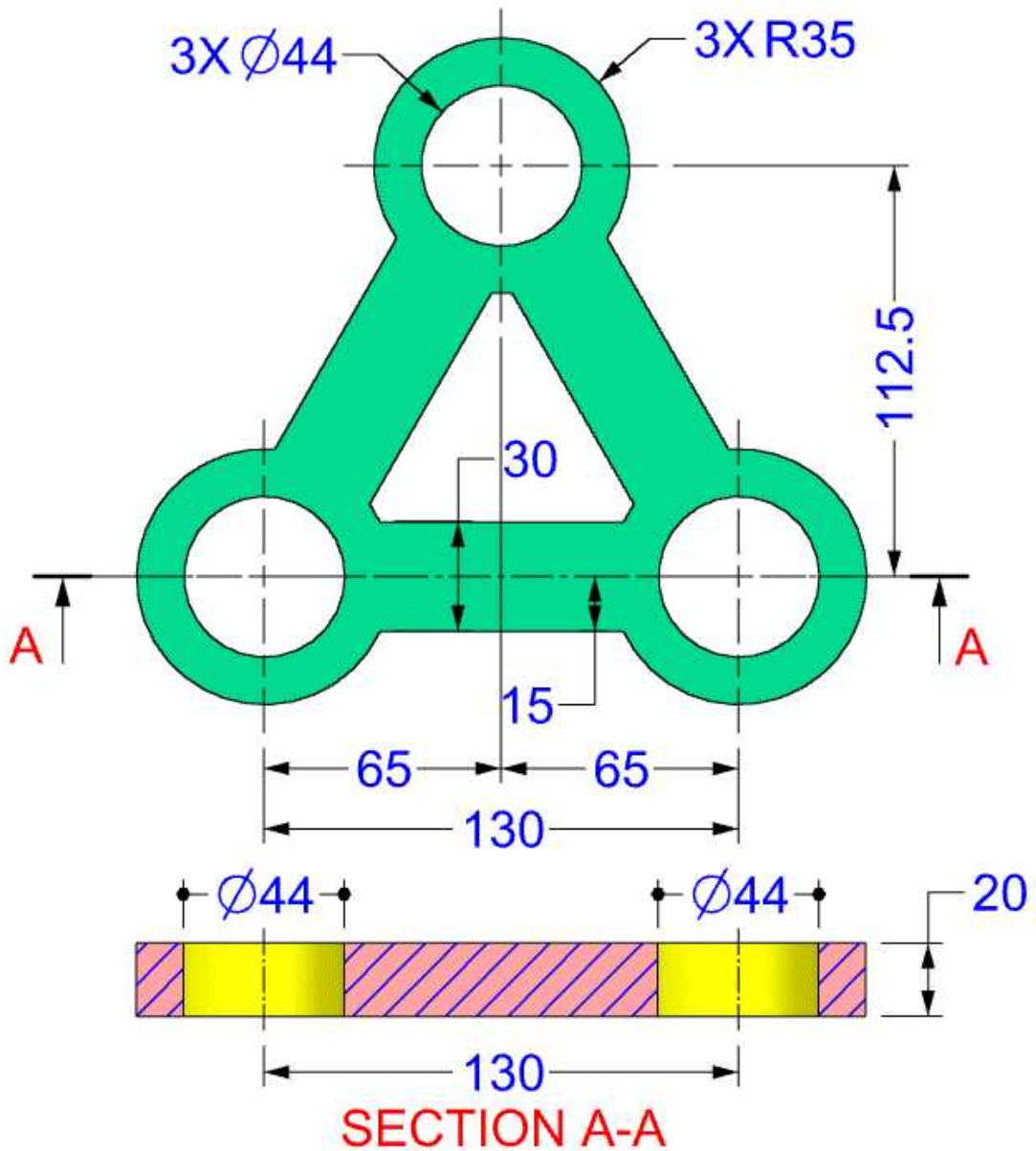
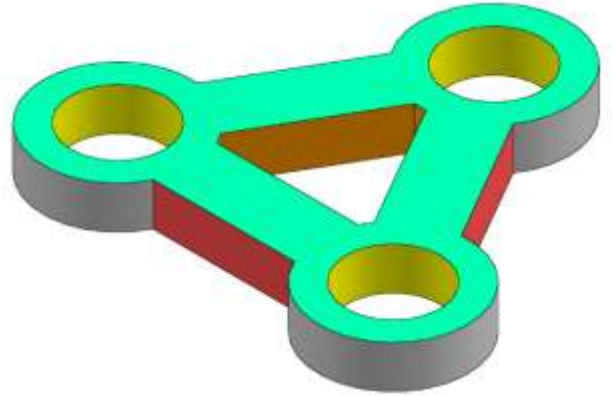


## EXERCISE-31

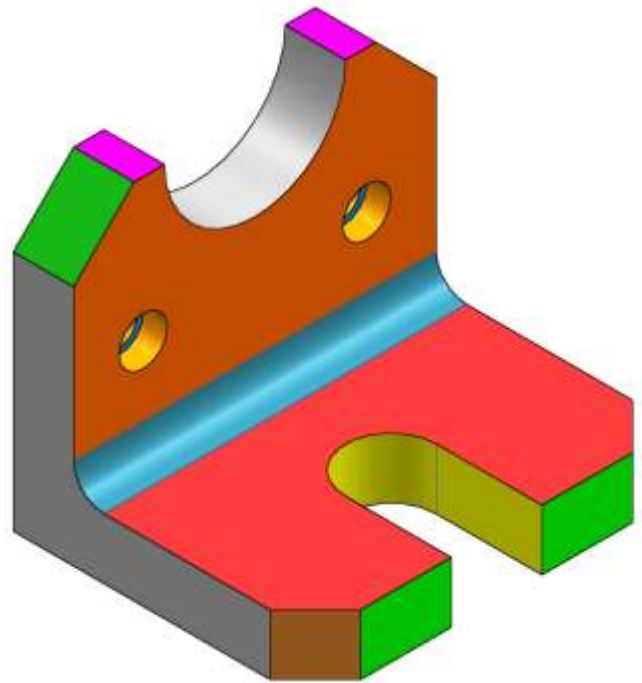
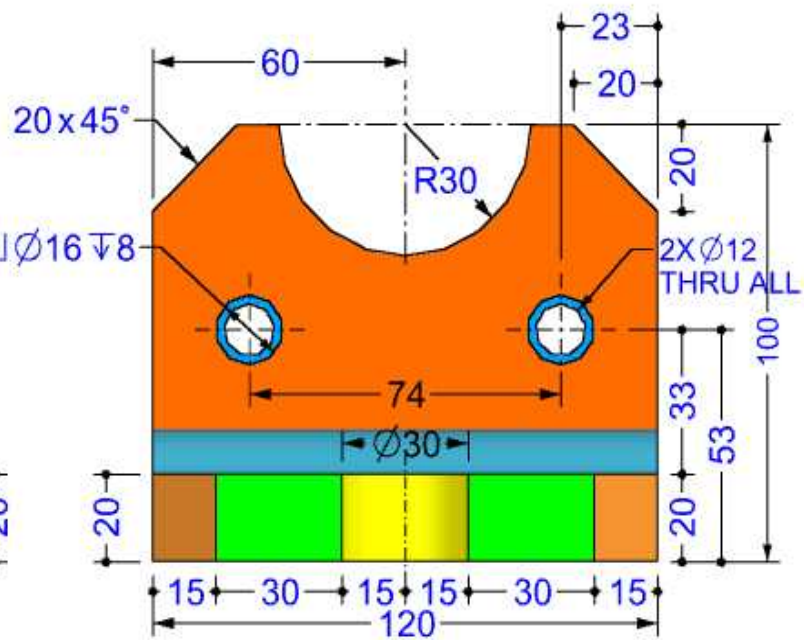
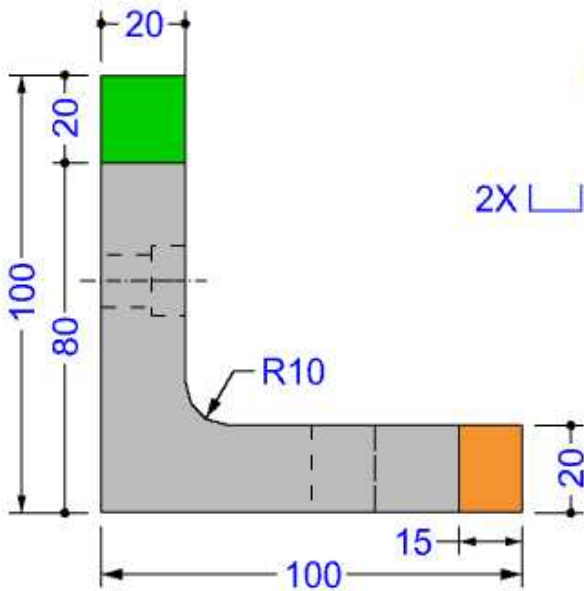
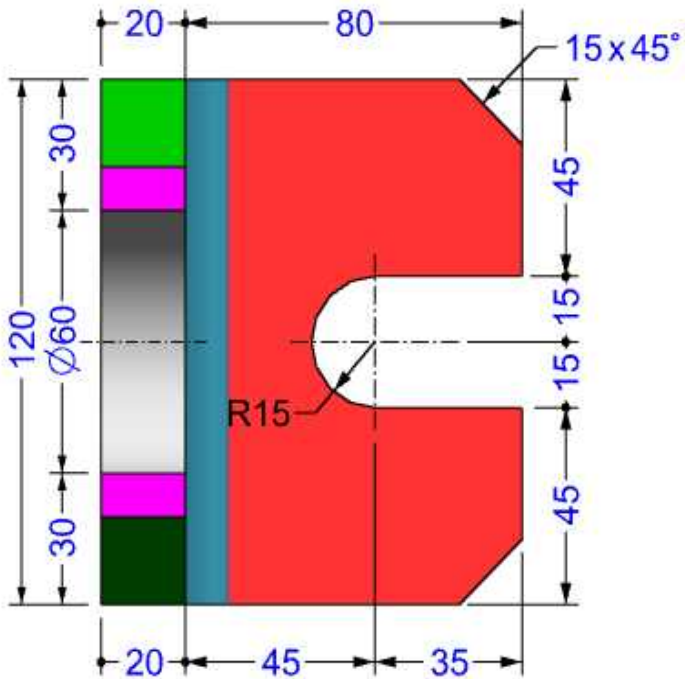


**EXERCISE-32**

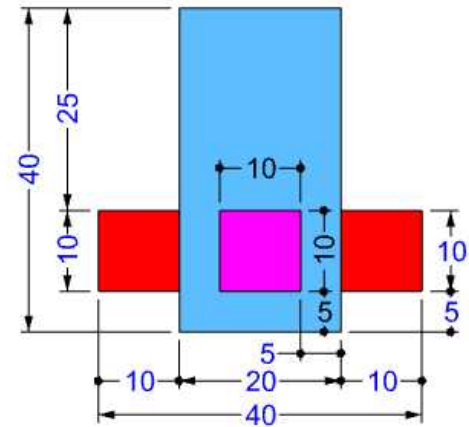
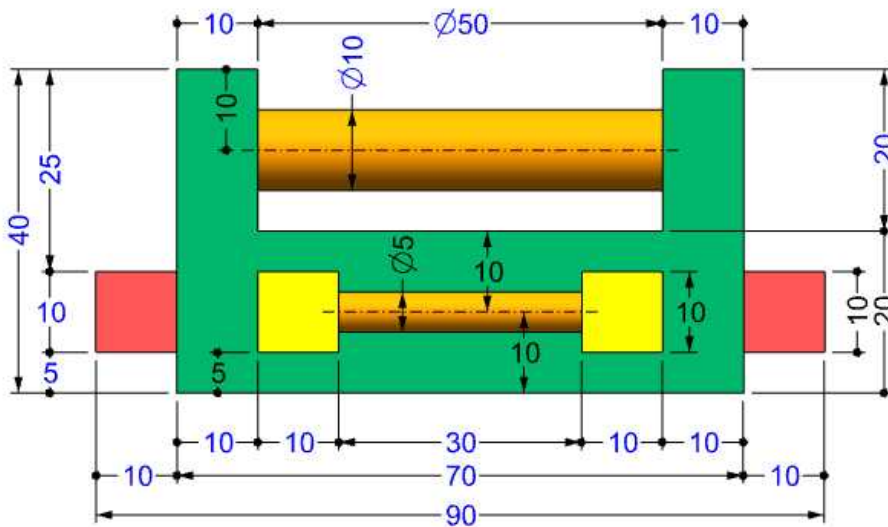
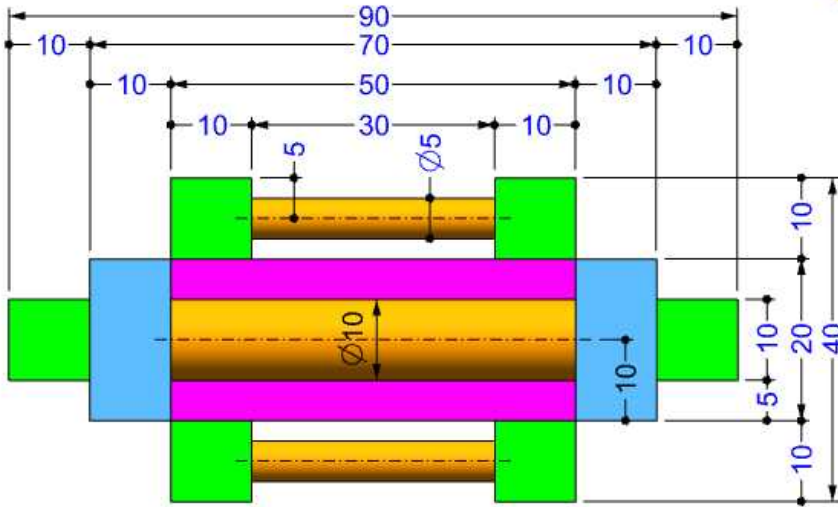
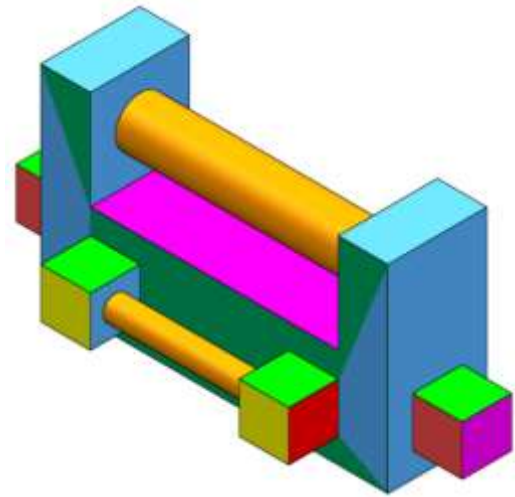
## EXERCISE-33



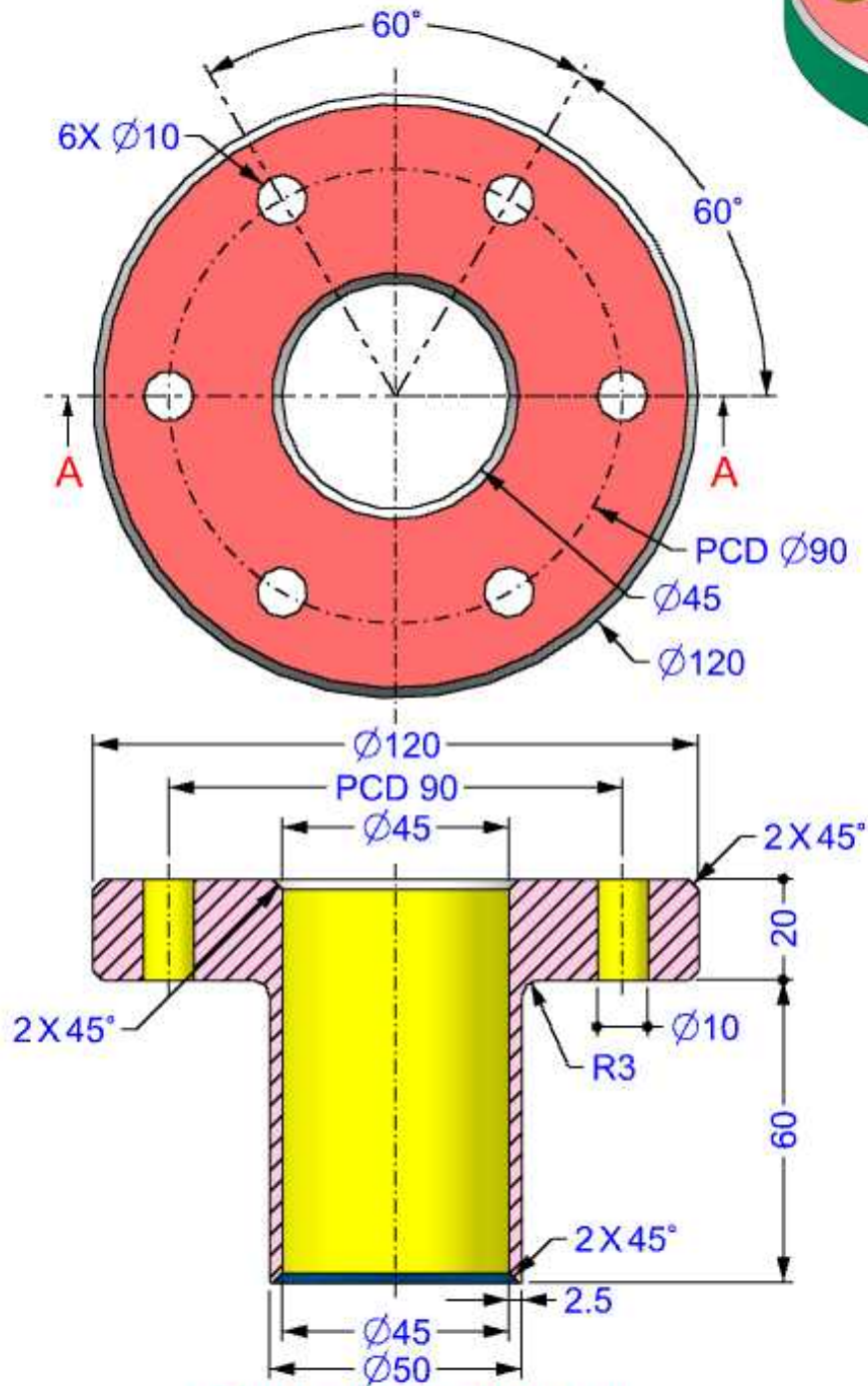
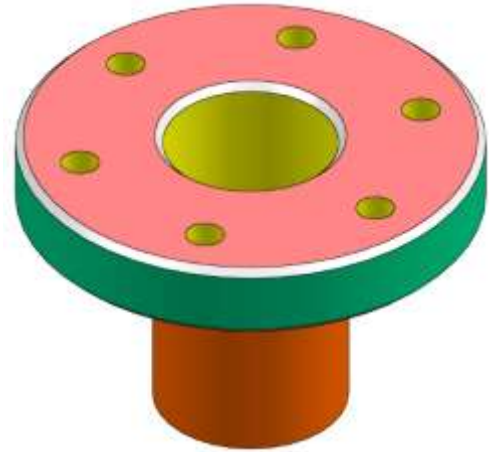
## EXERCISE-34



## EXERCISE-35

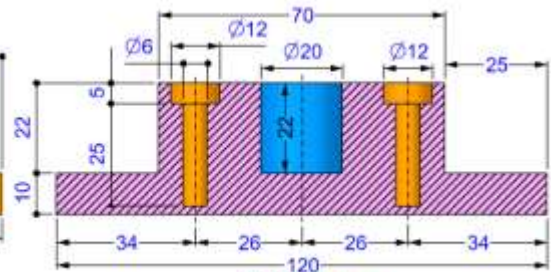
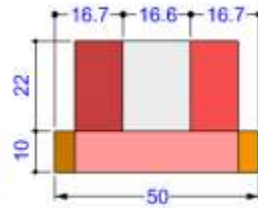
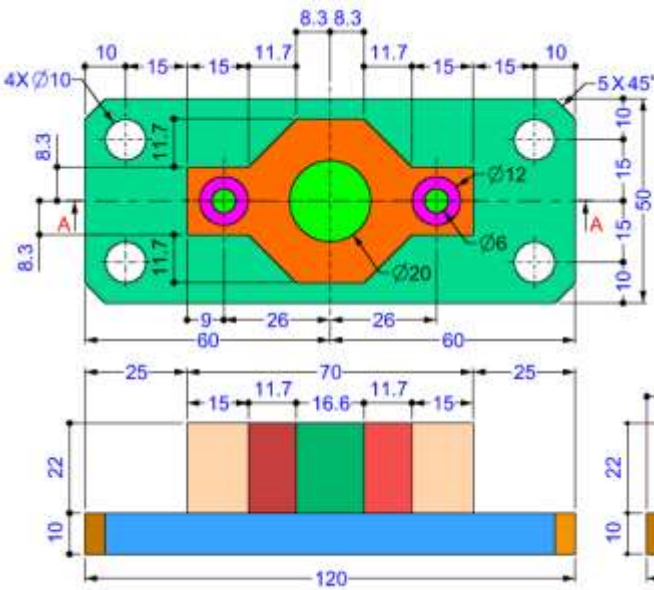
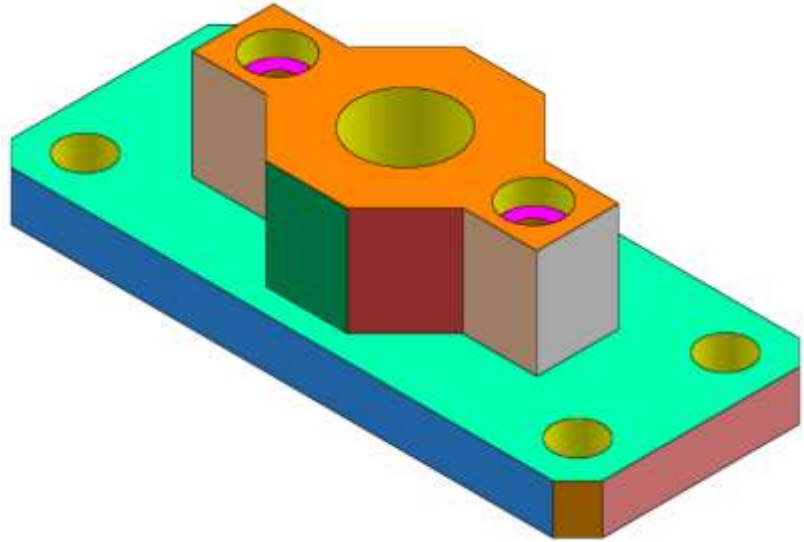


## EXERCISE-36

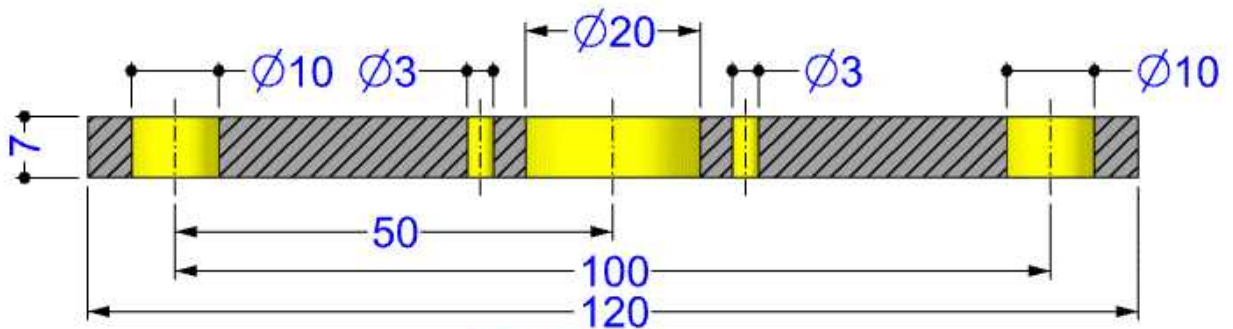
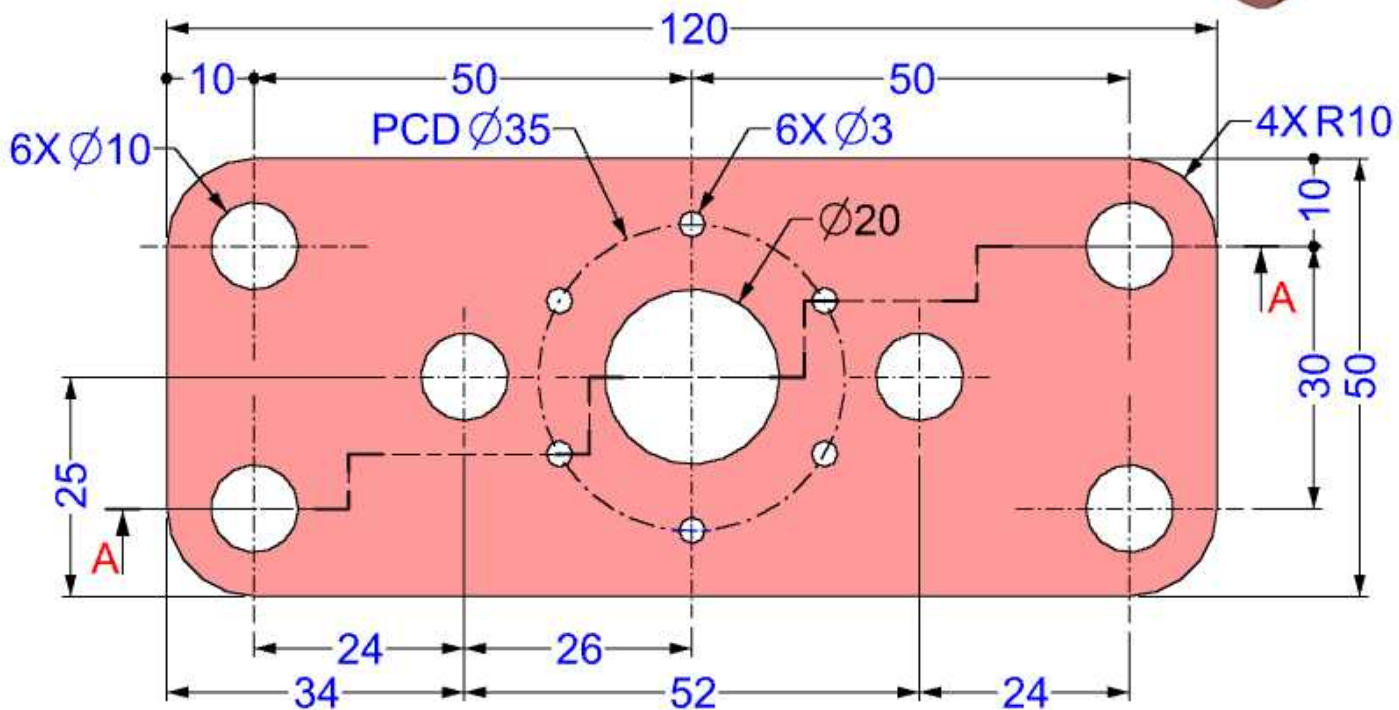
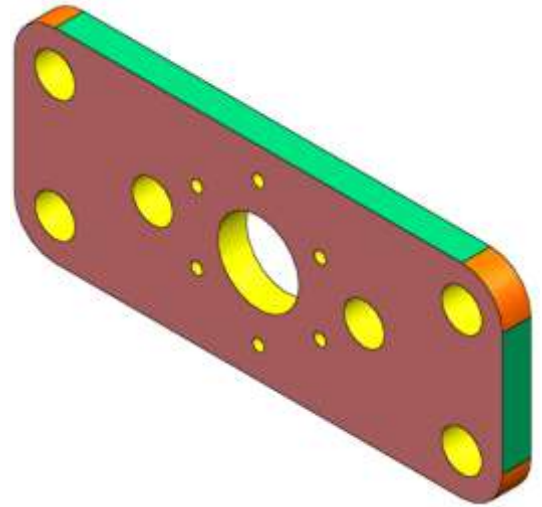


(SCALE 1:1) SECTION A-A

# EXERCISE-37

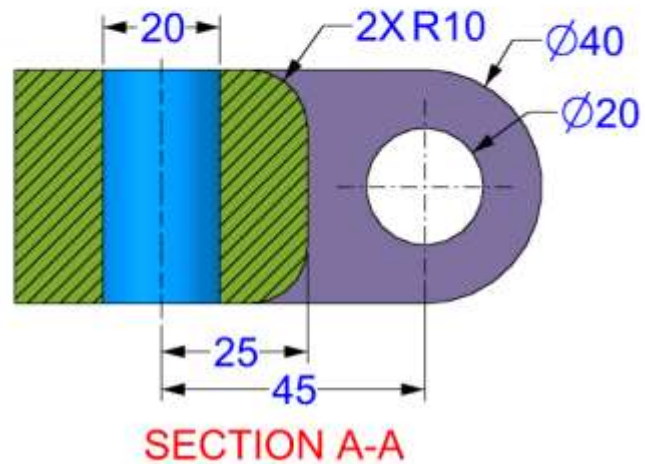
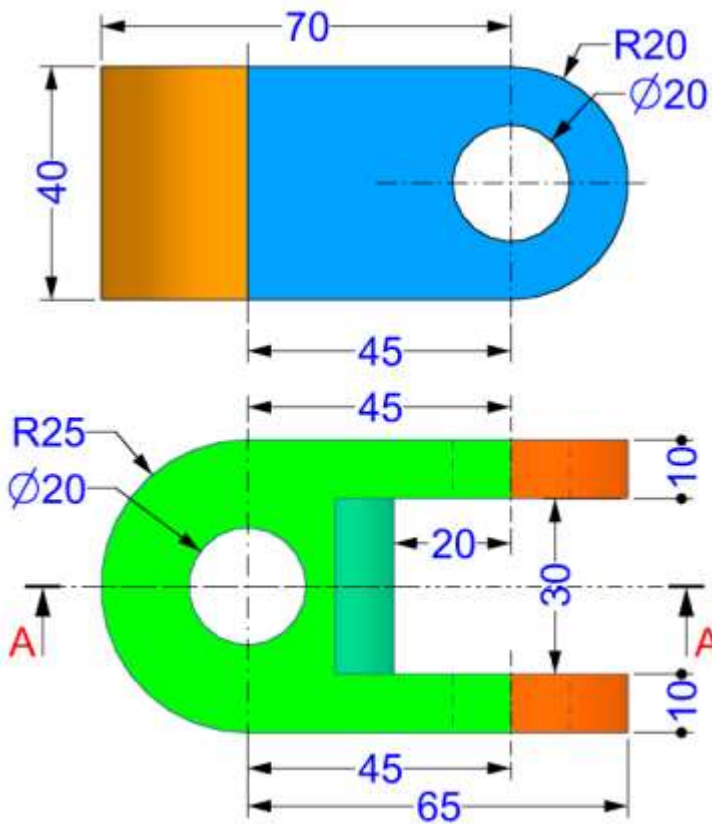
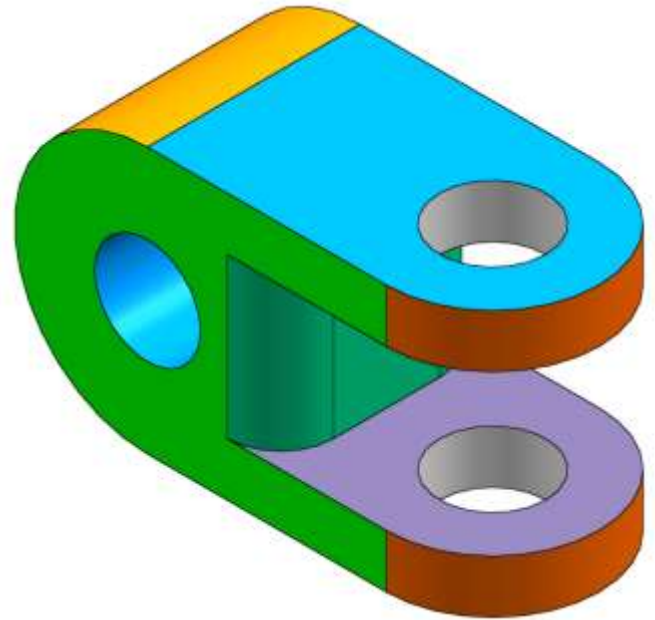


## EXERCISE-38

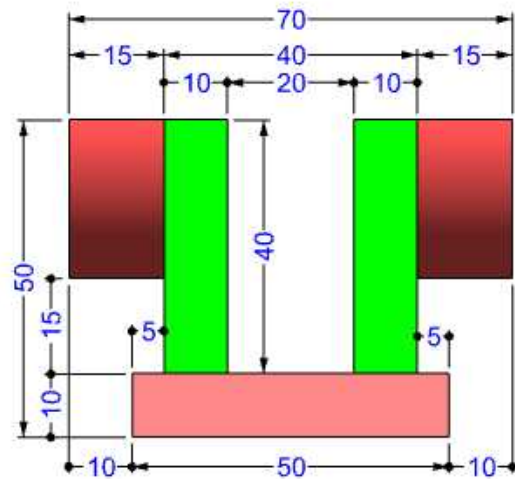
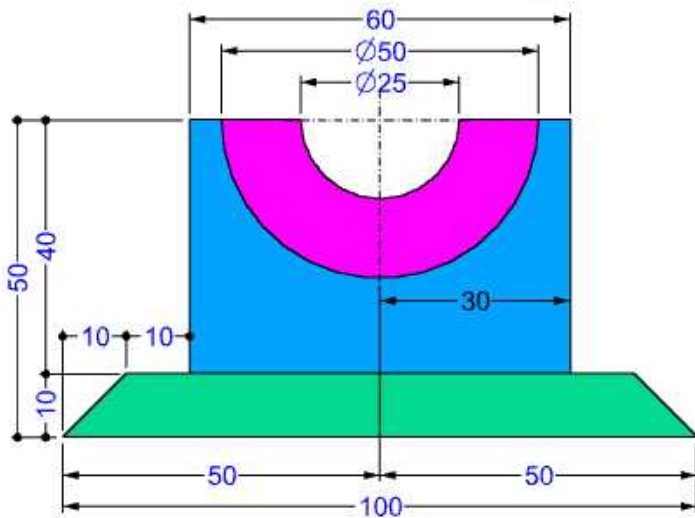
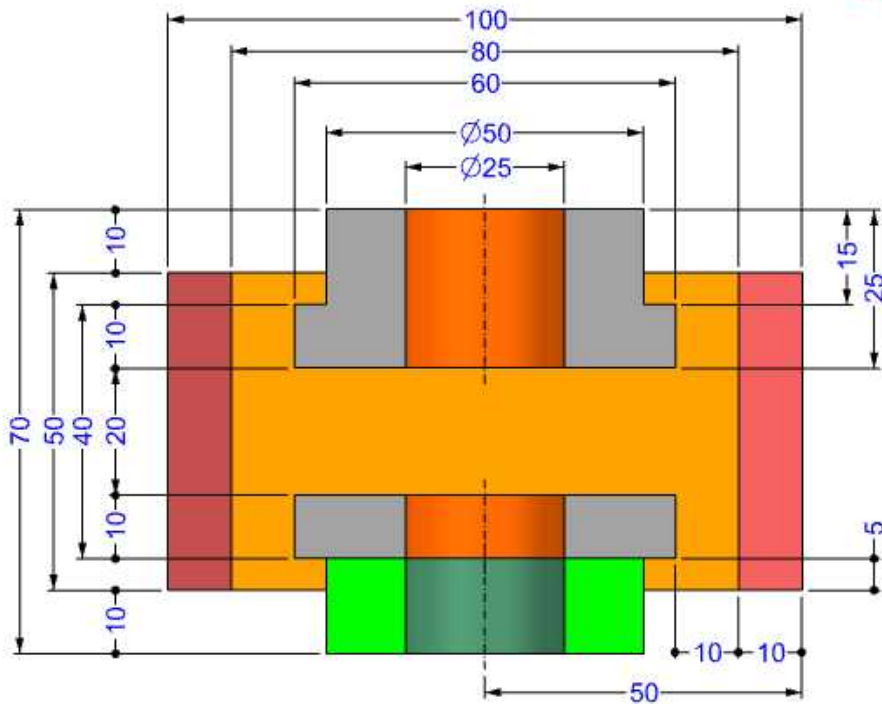
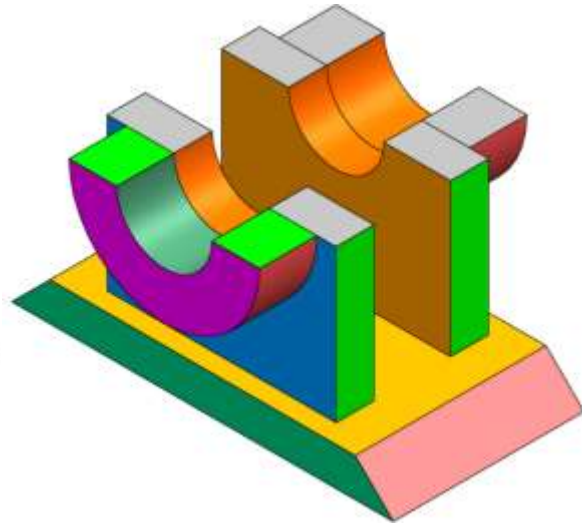


SECTION A-A

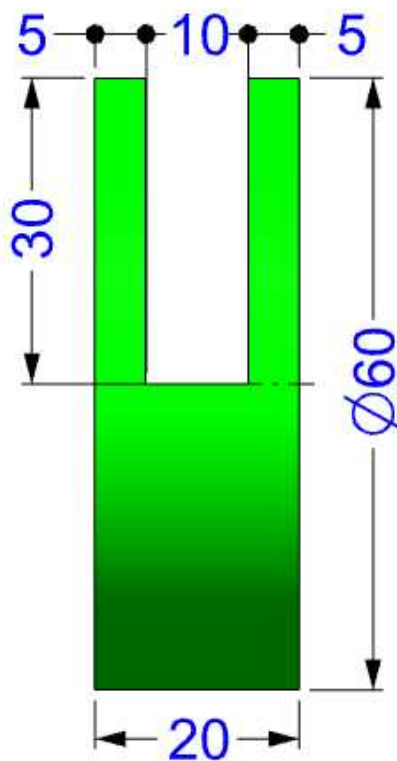
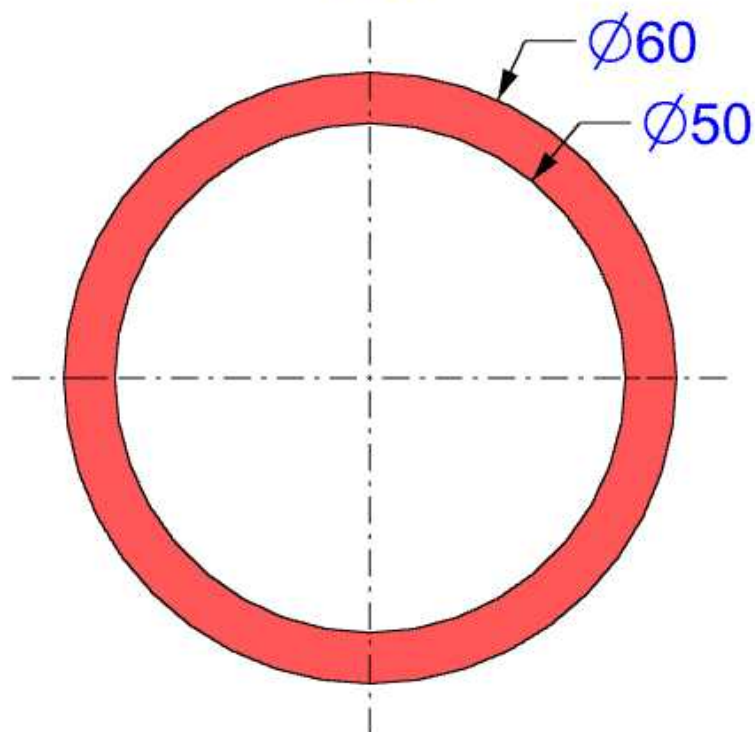
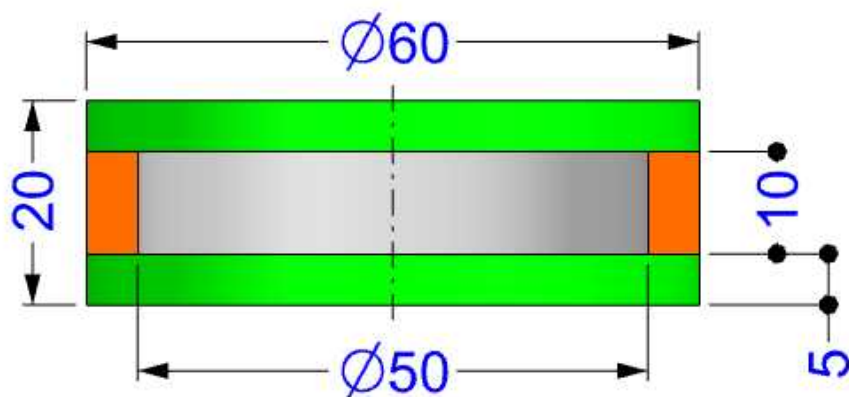
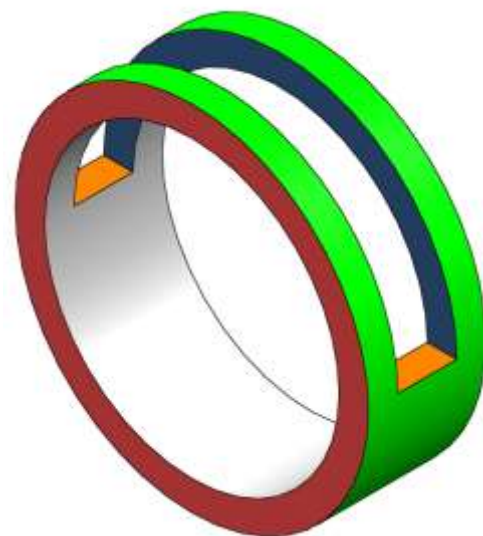
## EXERCISE-39



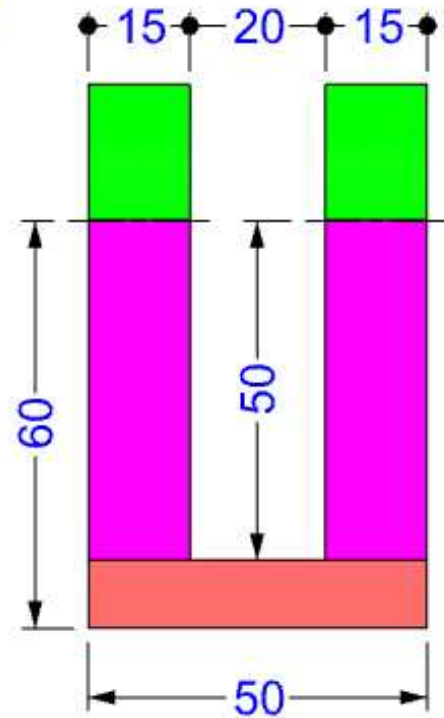
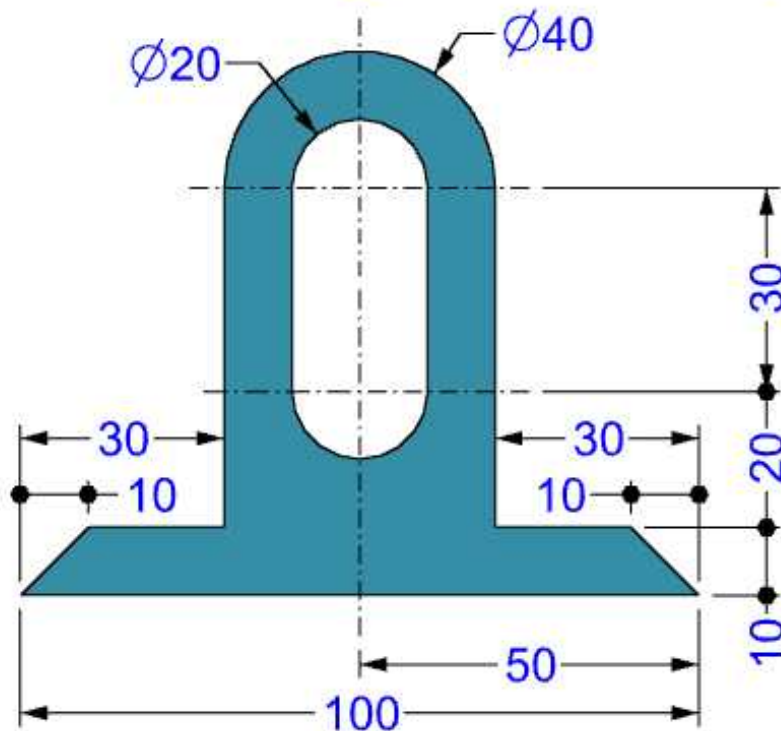
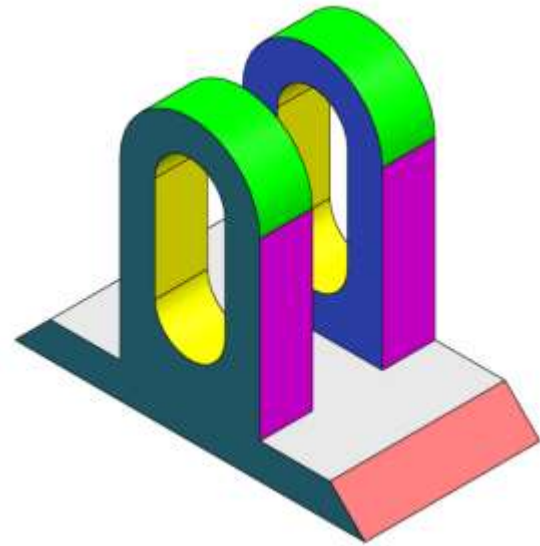
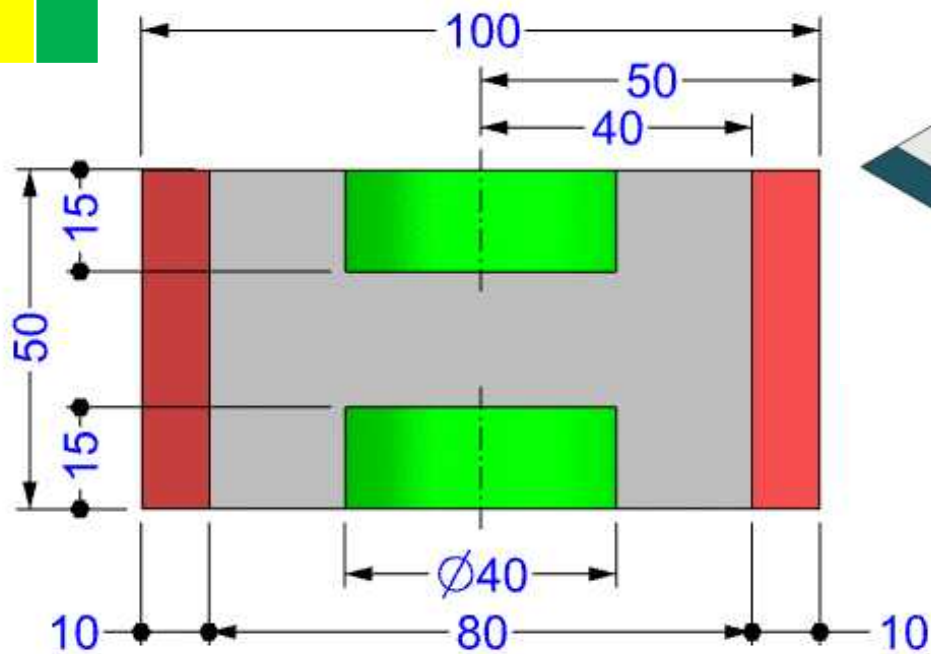
## EXERCISE-40

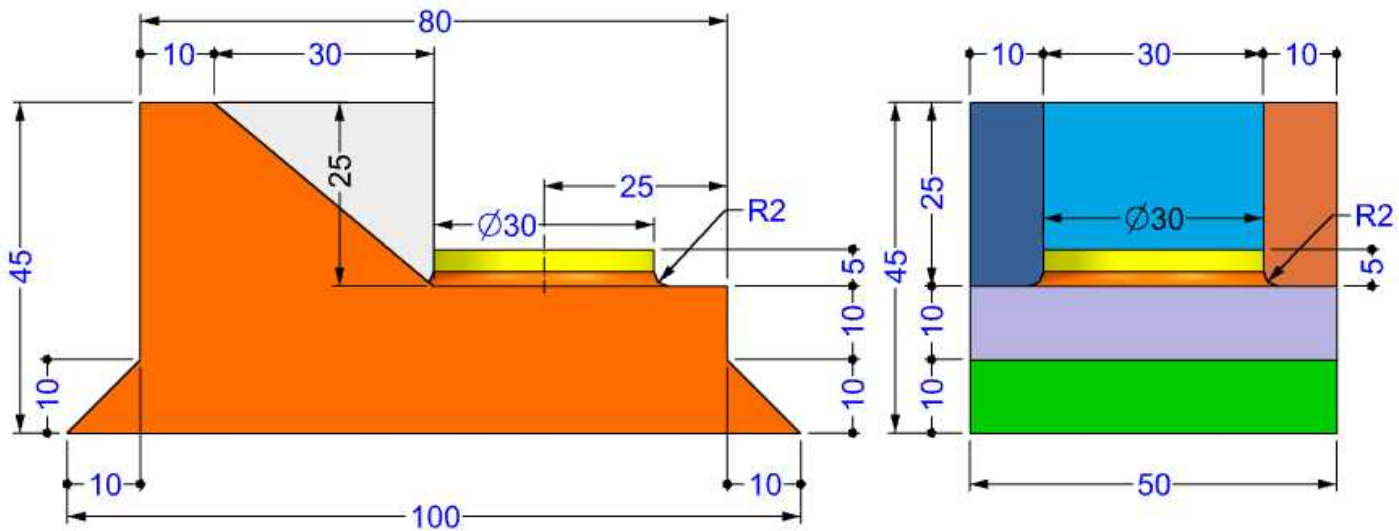
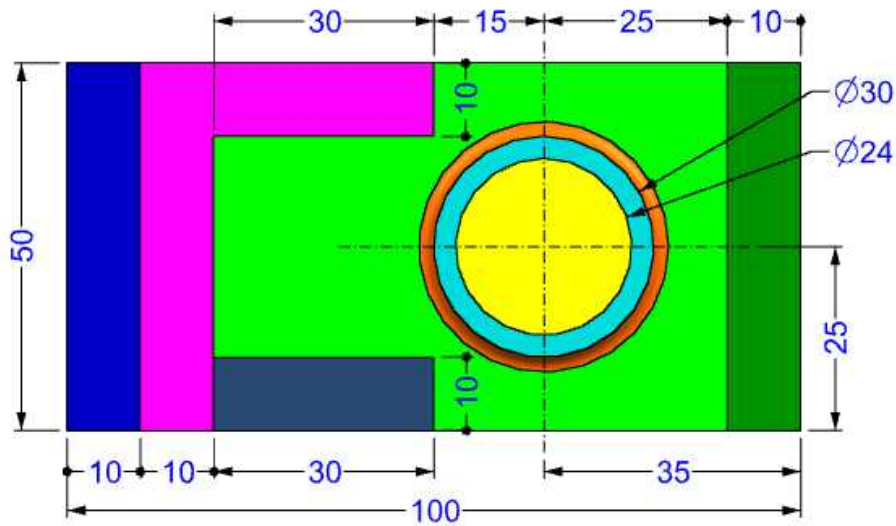
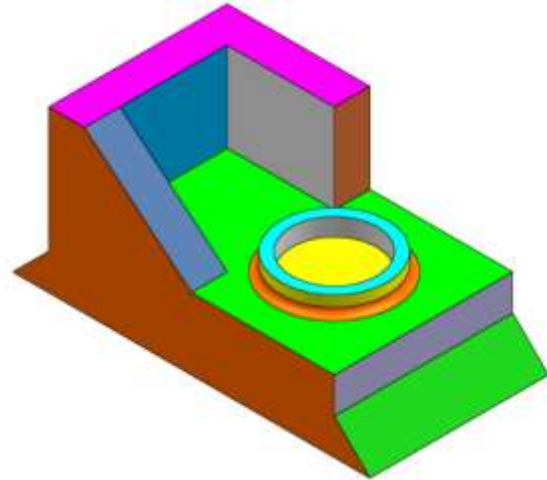


## EXERCISE-41

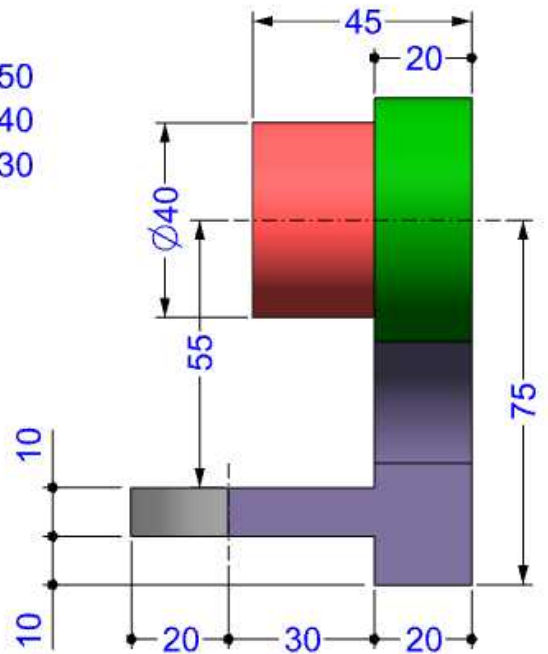
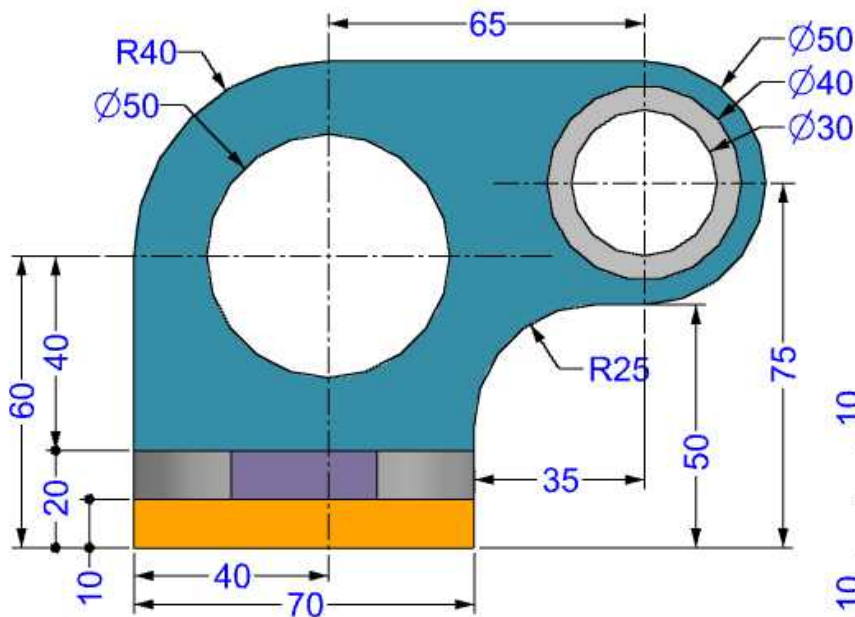
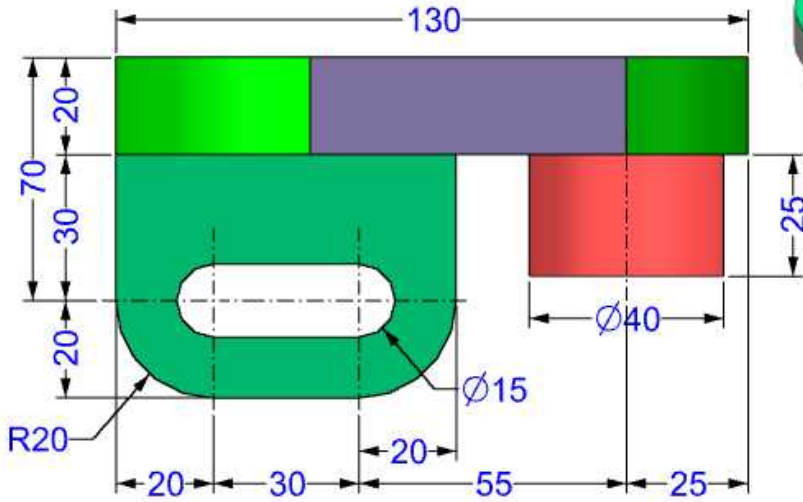
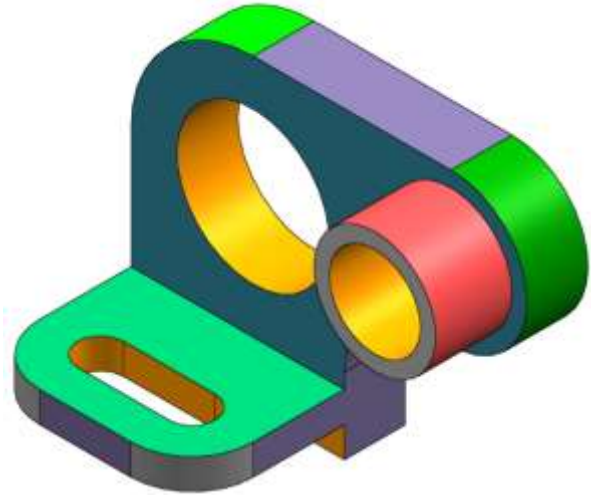


## EXERCISE-42

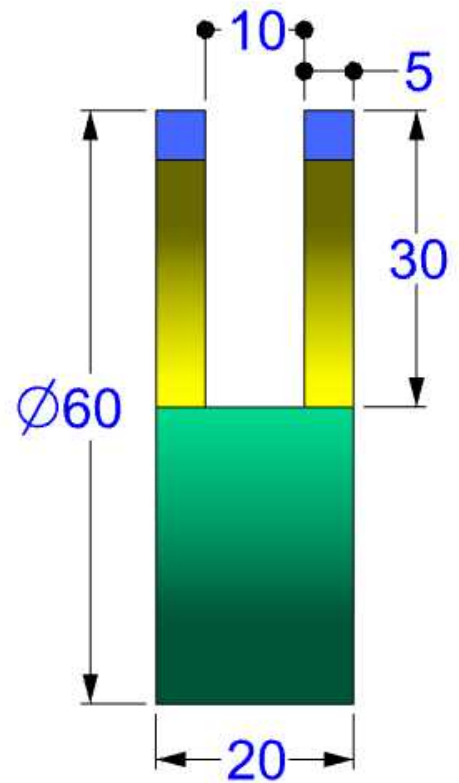
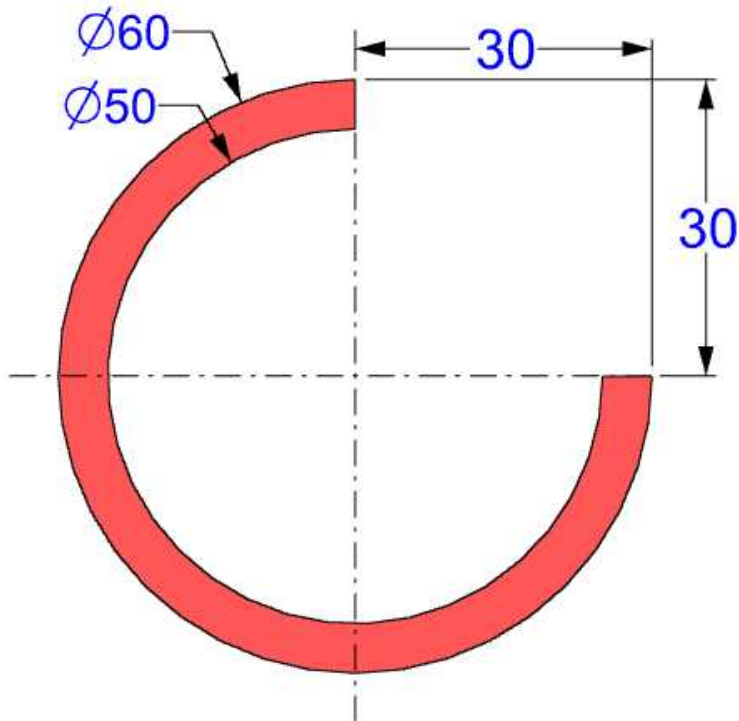
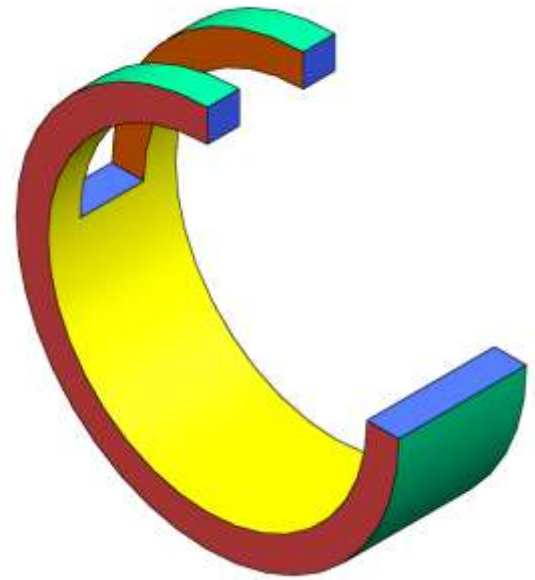
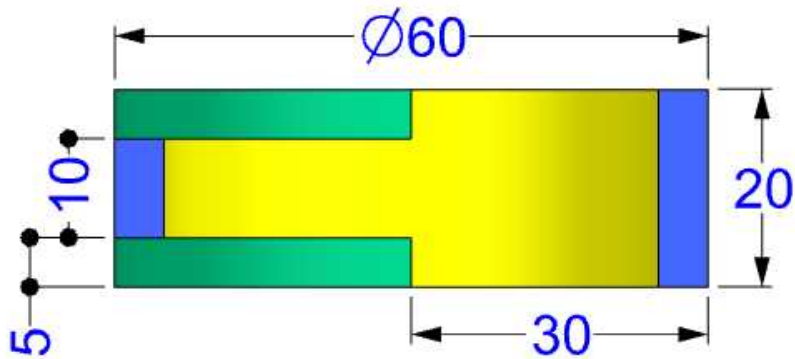


**EXERCISE-43**

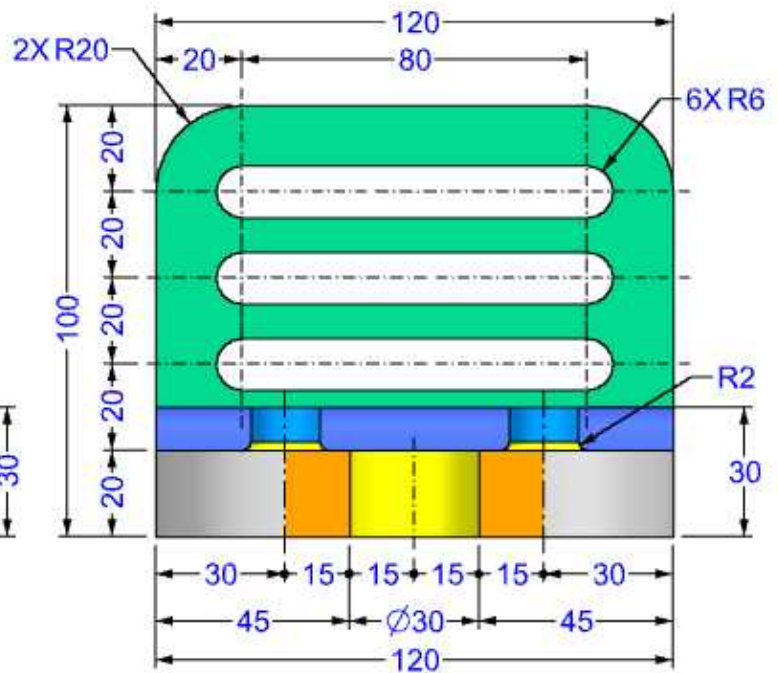
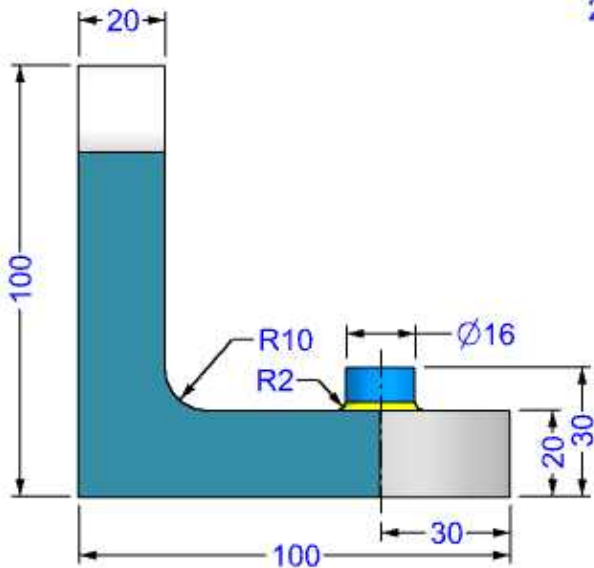
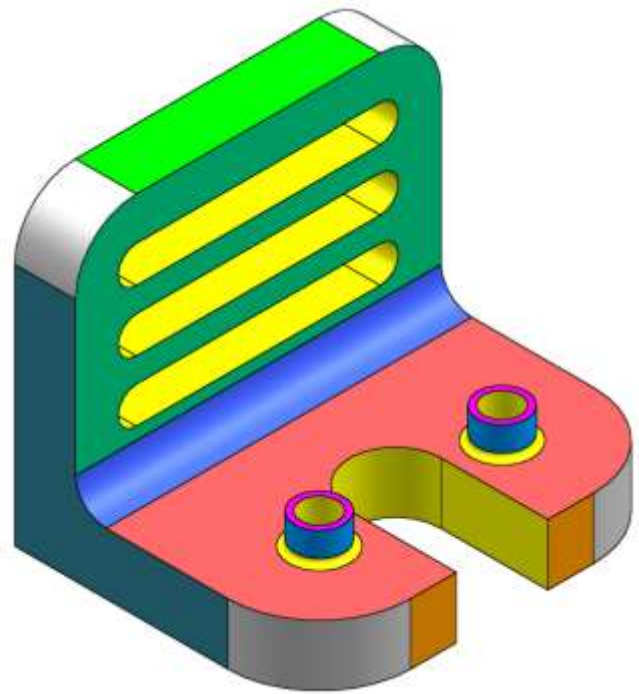
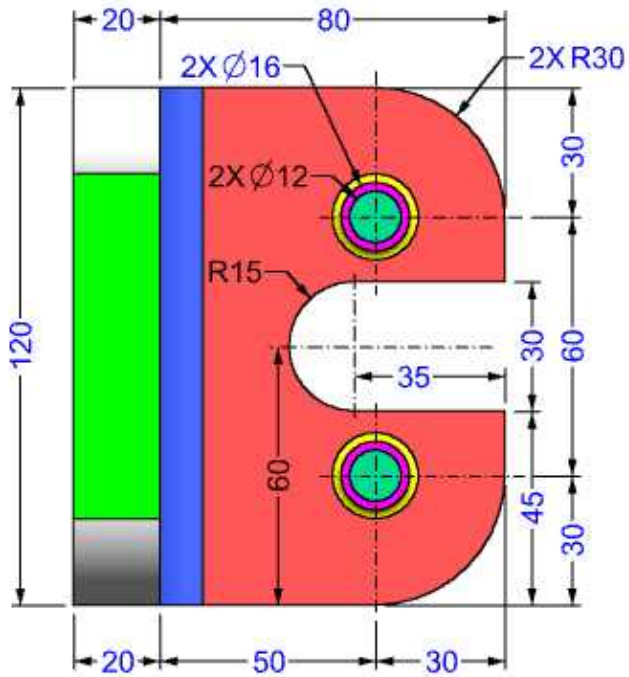
## EXERCISE-44



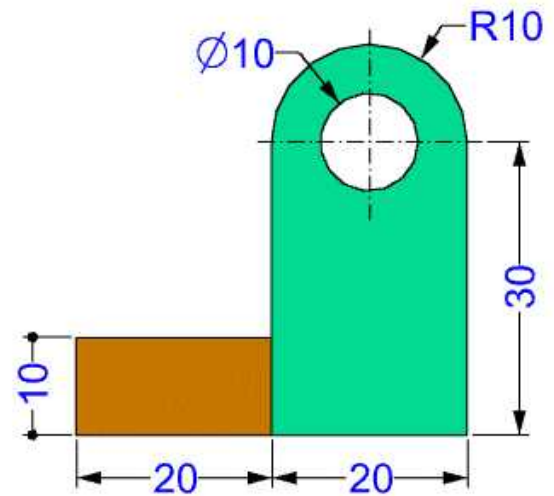
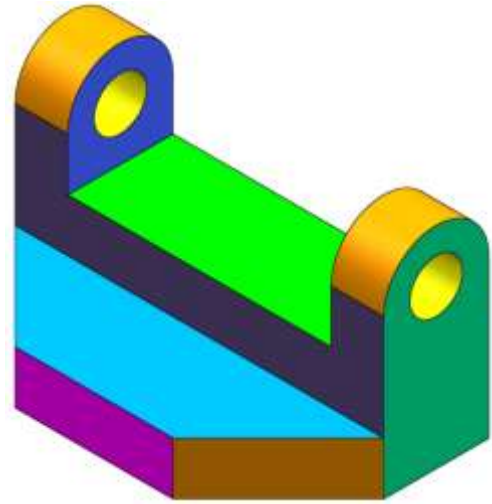
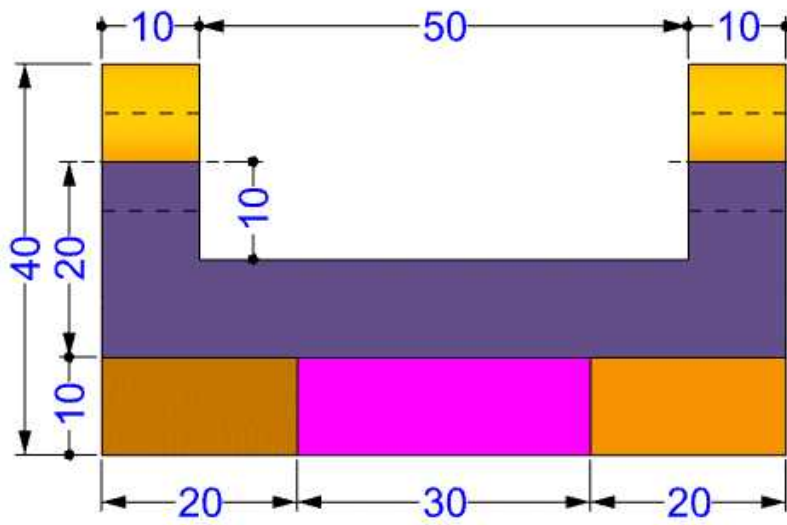
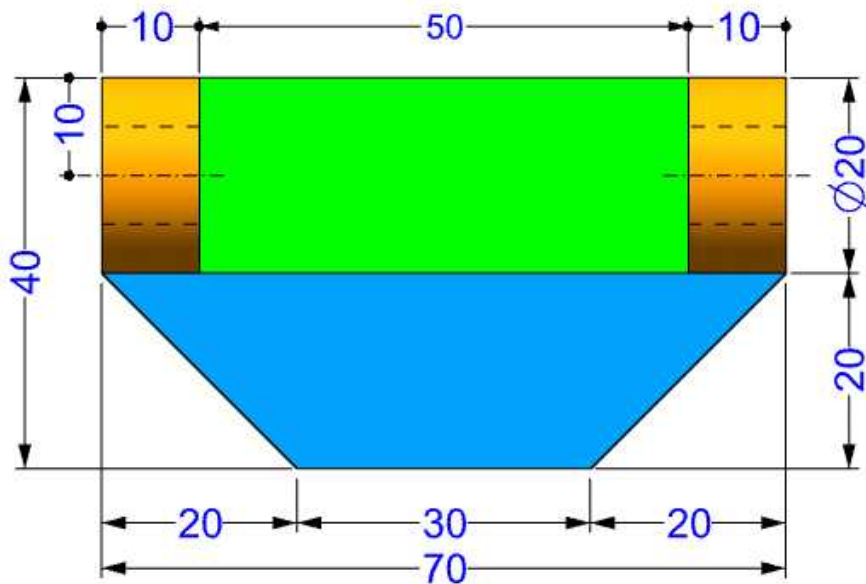
## EXERCISE-45



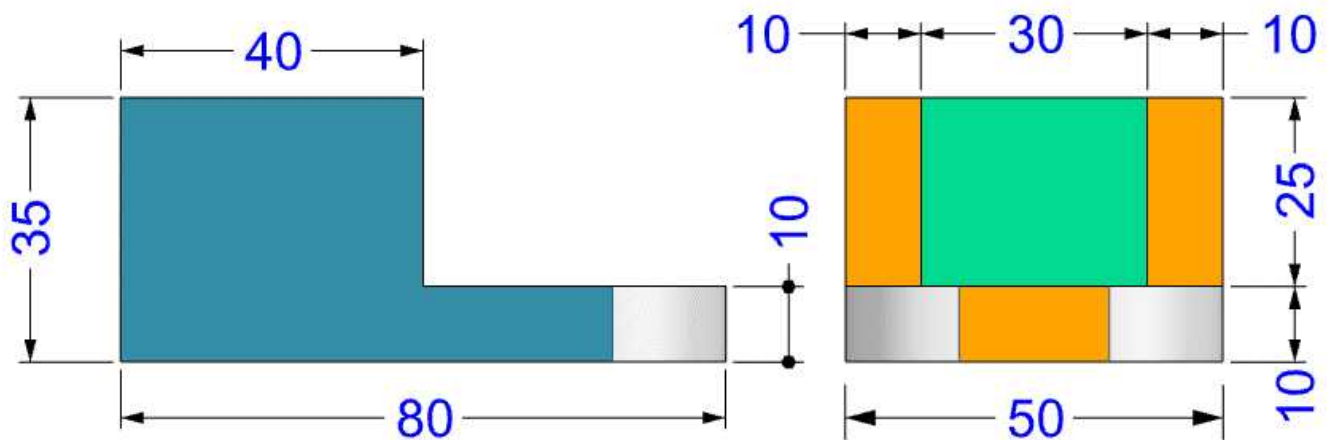
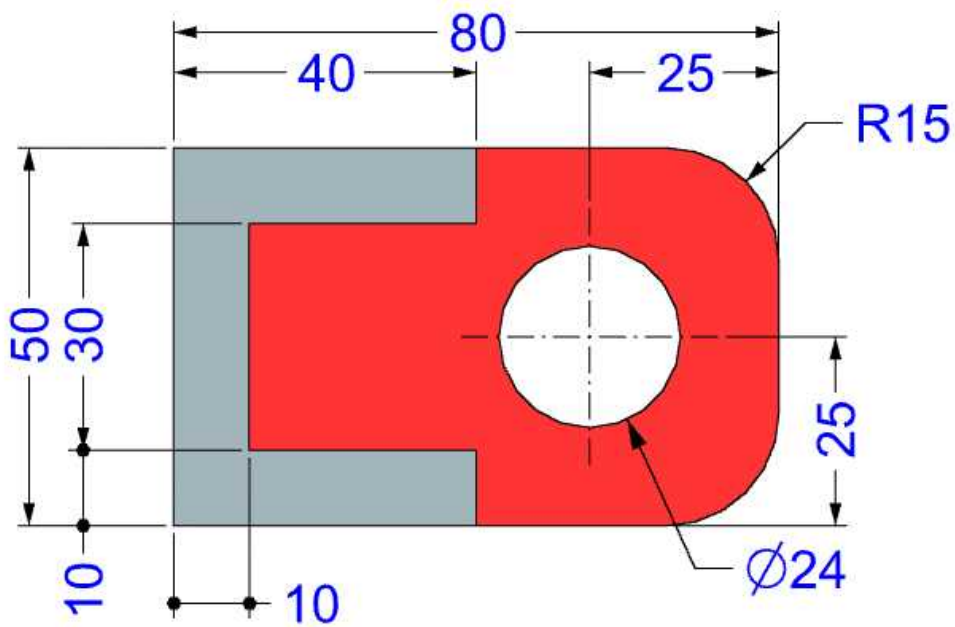
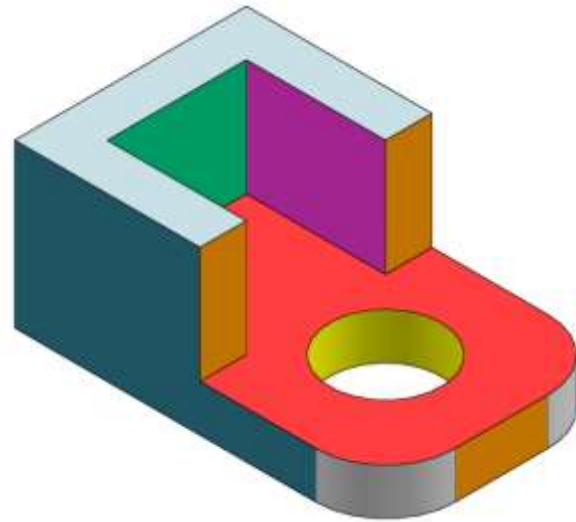
## EXERCISE-46



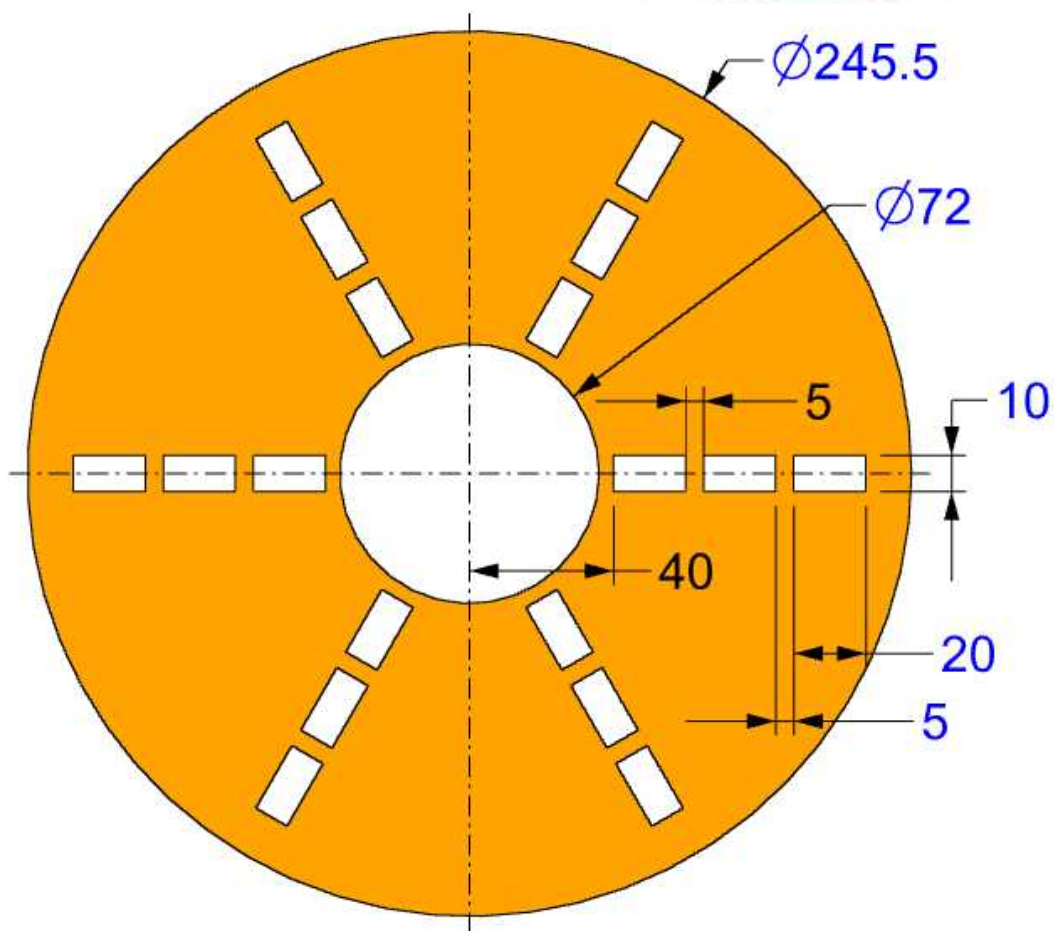
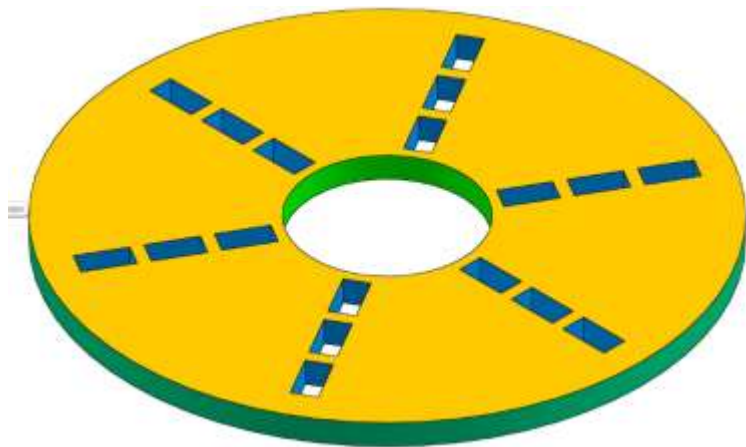
## EXERCISE-47



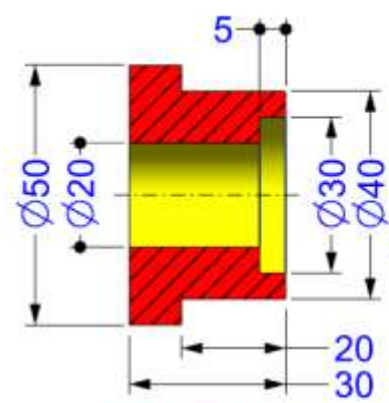
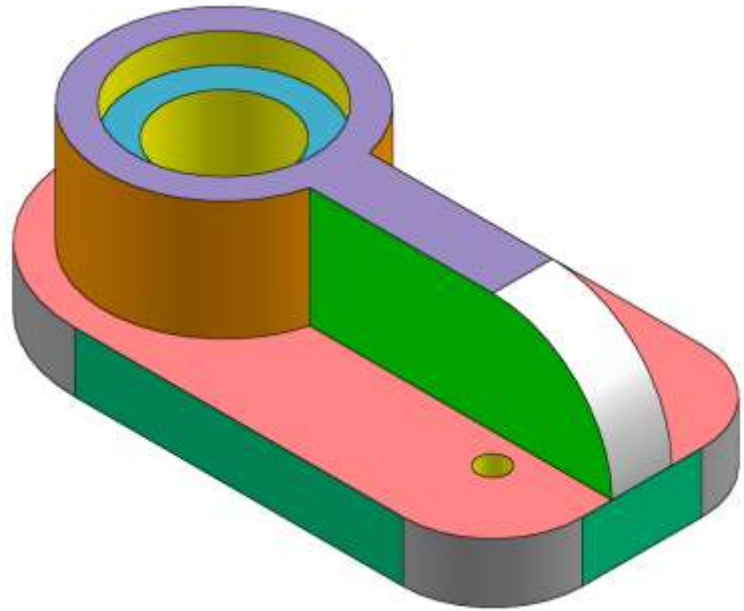
## EXERCISE-48



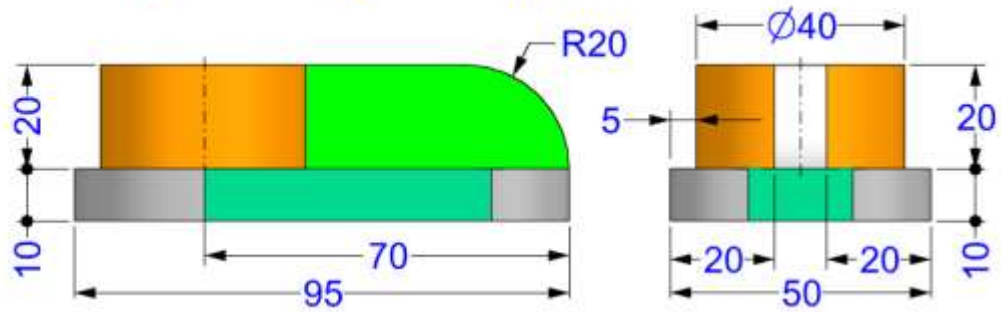
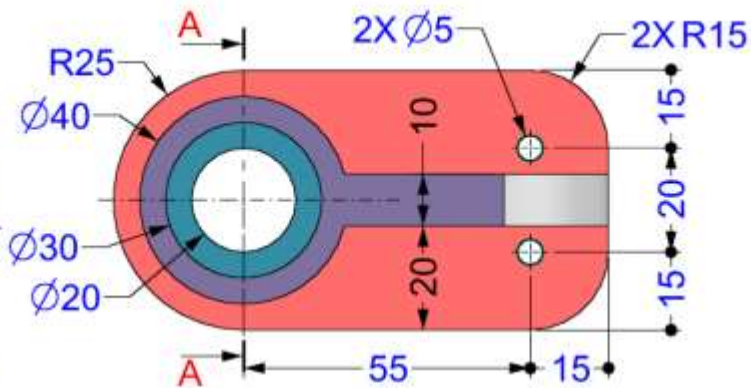
## EXERCISE-49



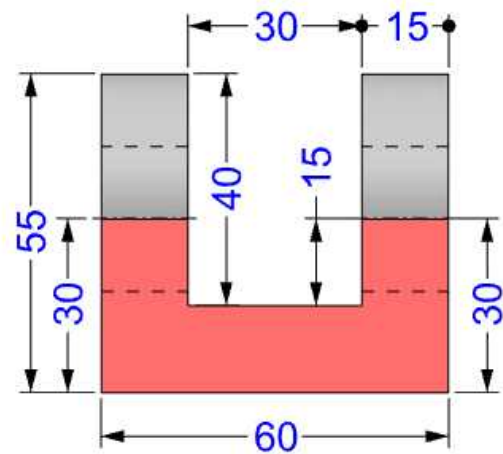
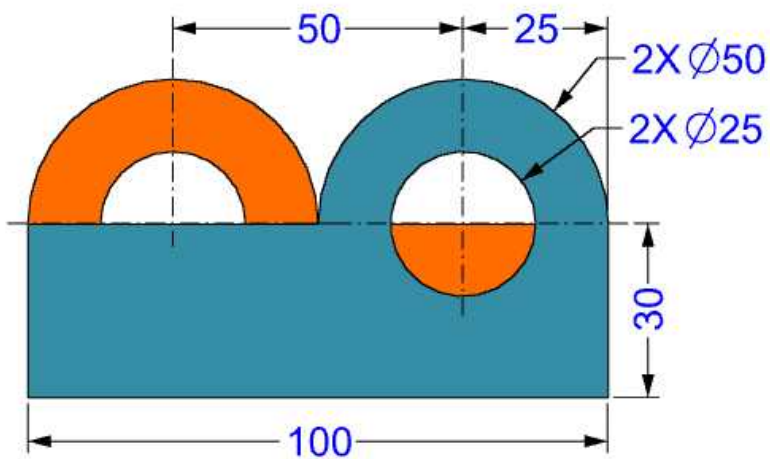
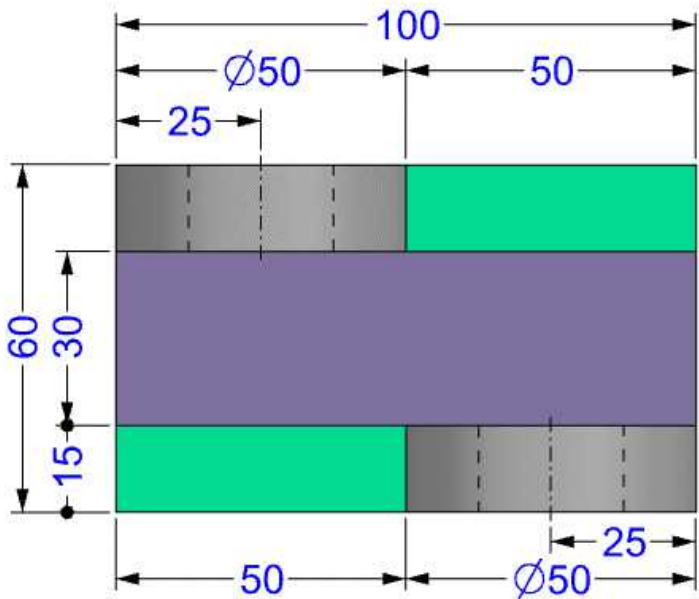
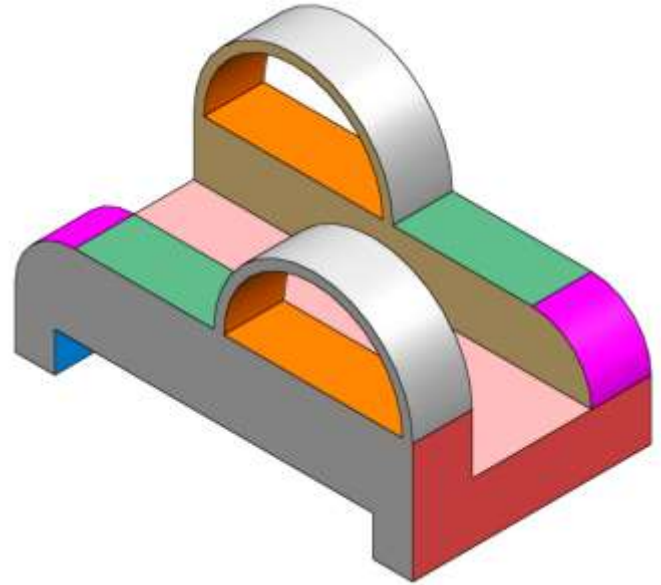
## EXERCISE-50



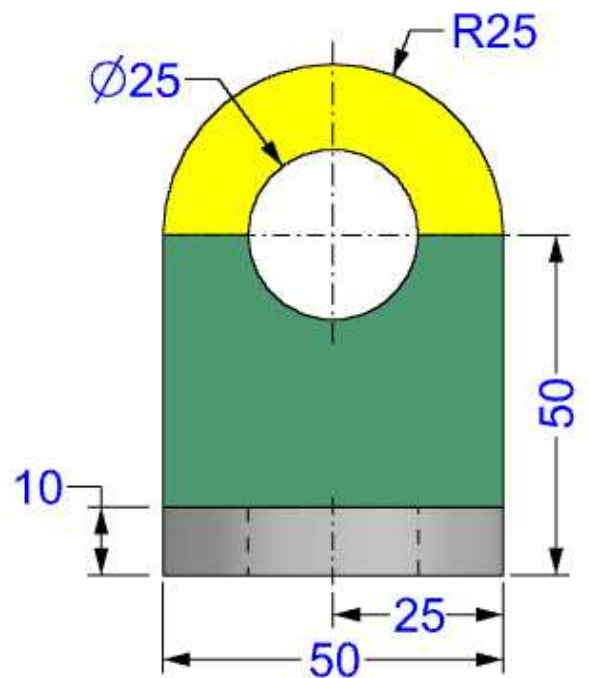
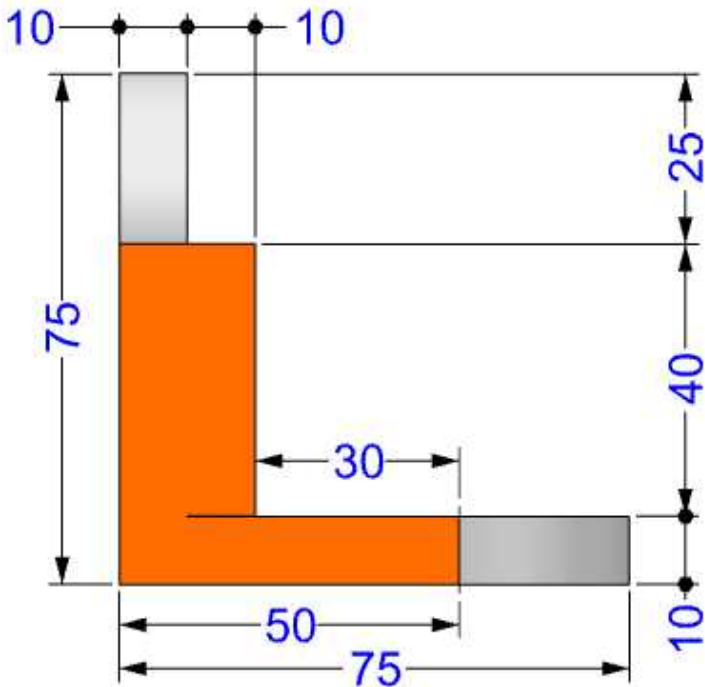
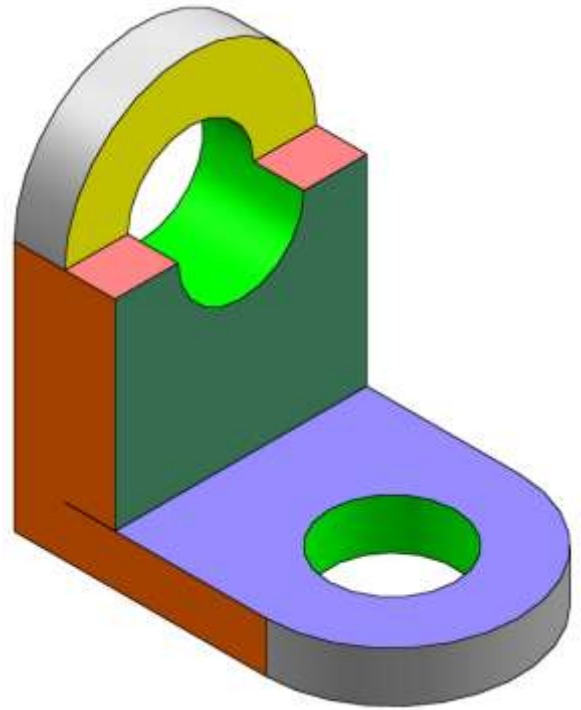
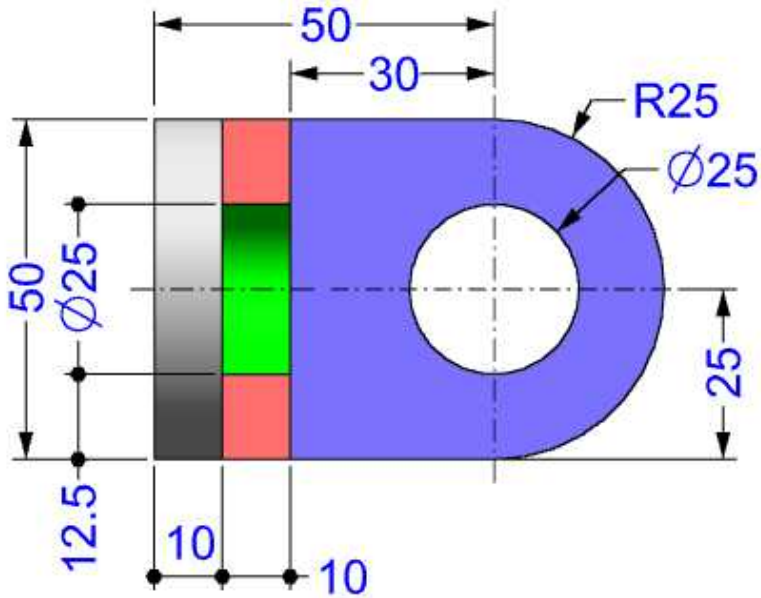
SECTION A-A



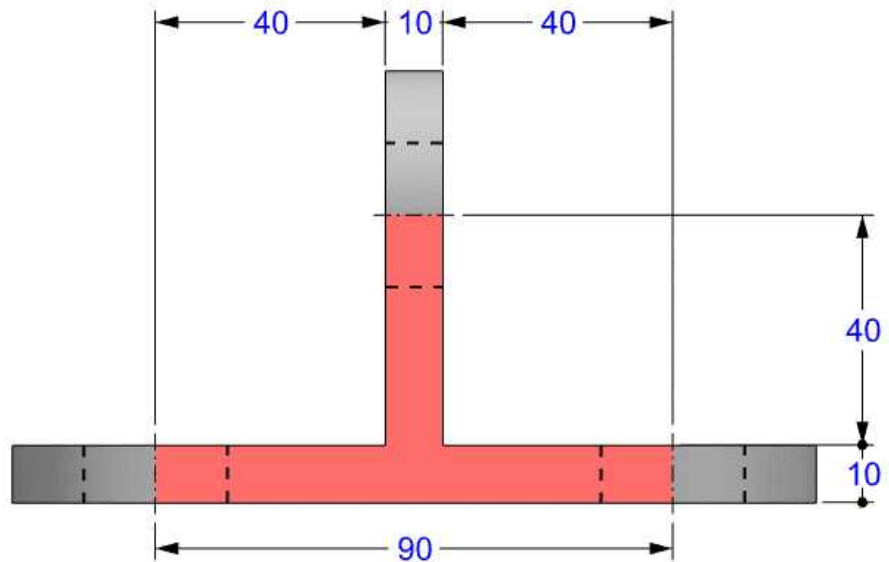
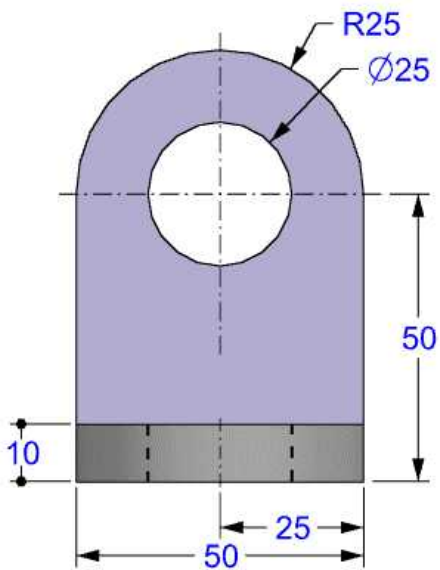
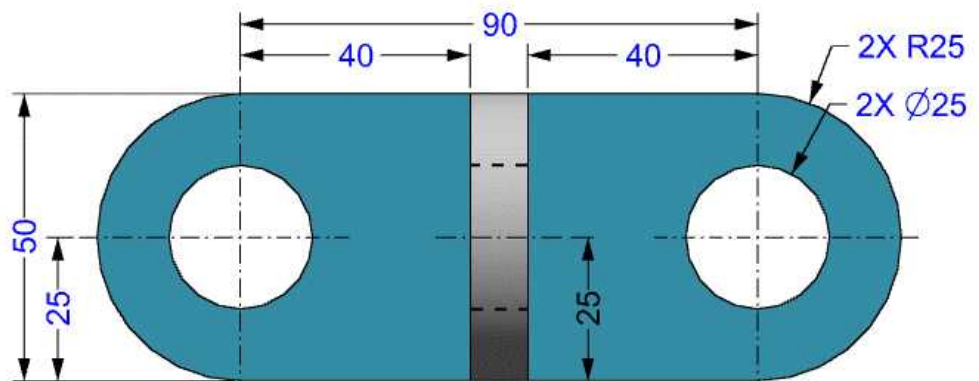
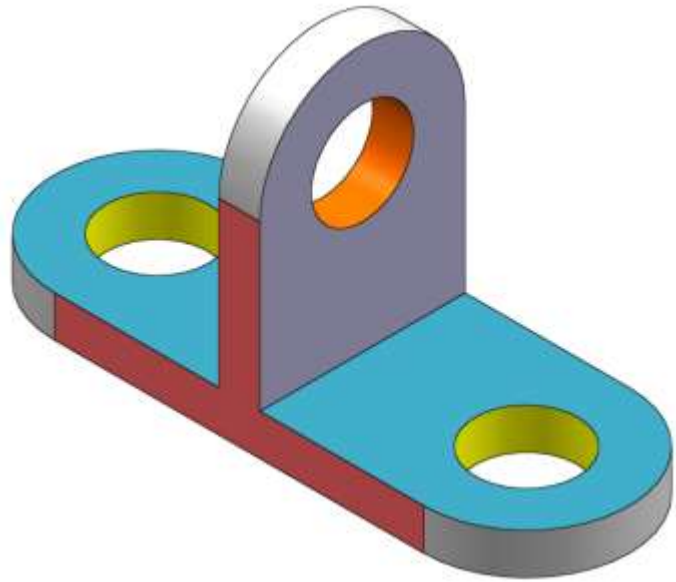
## EXERCISE-51



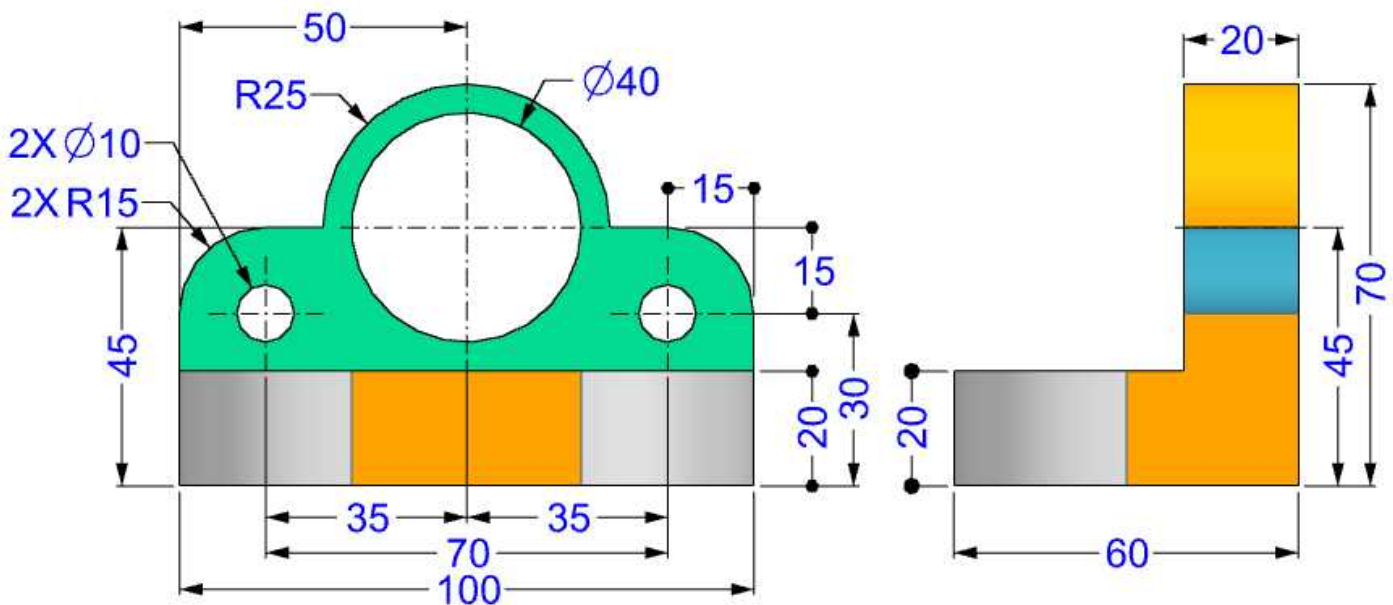
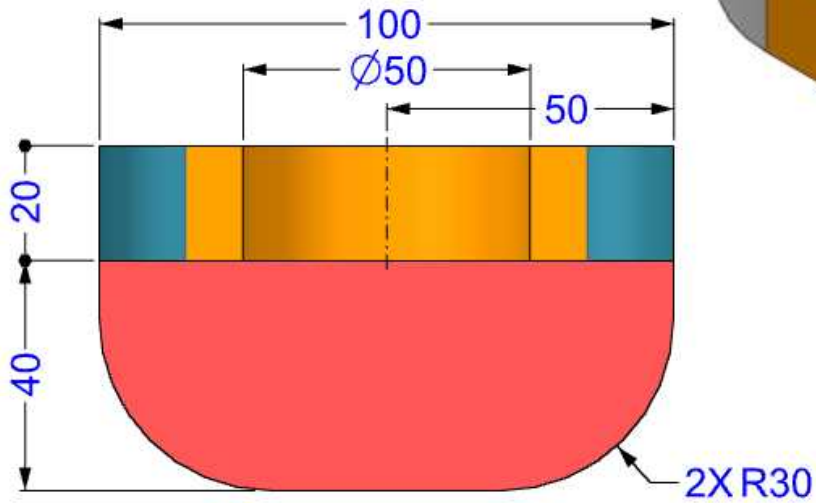
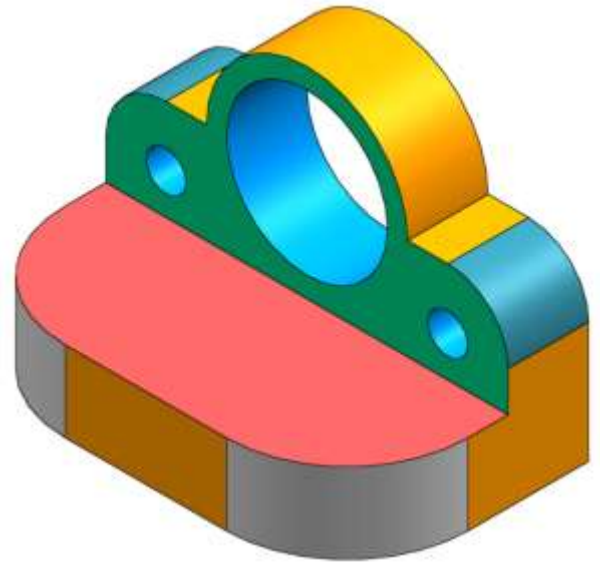
## EXERCISE-52



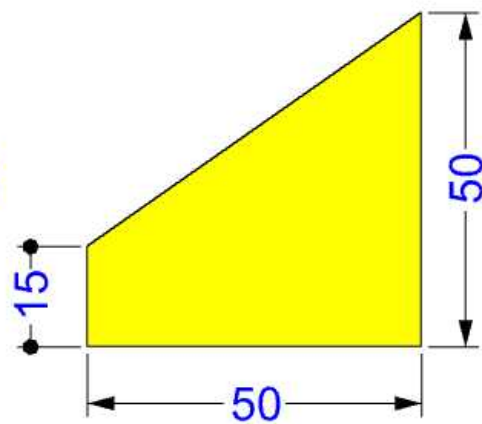
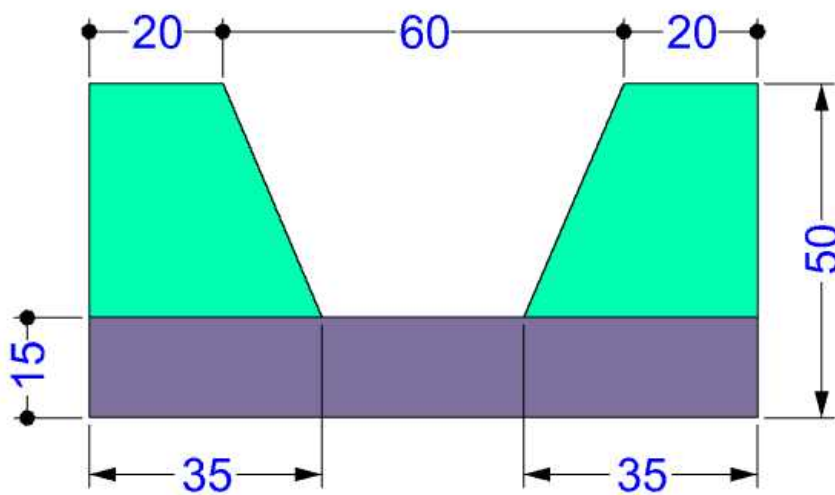
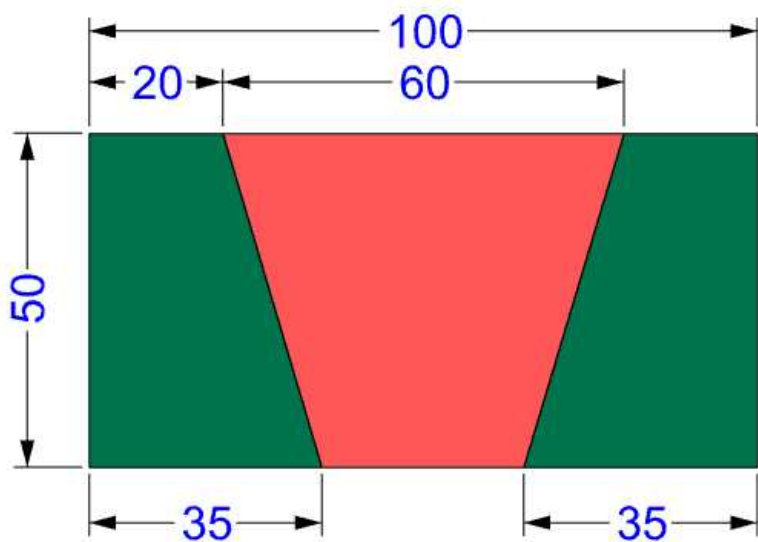
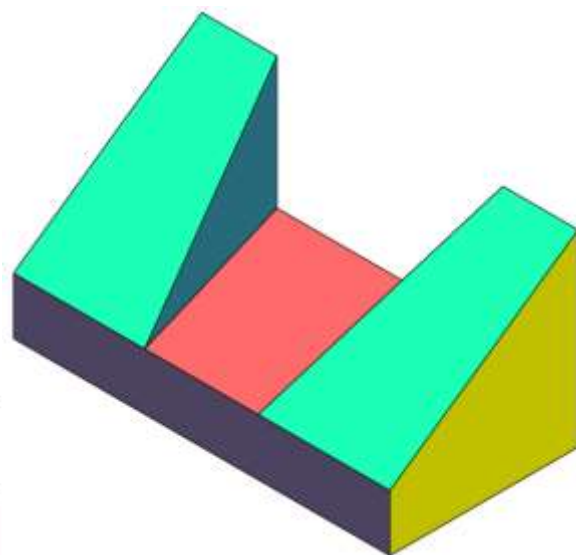
## EXERCISE-53



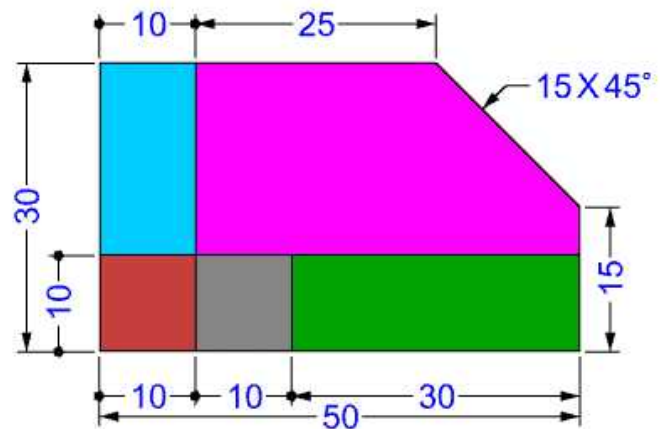
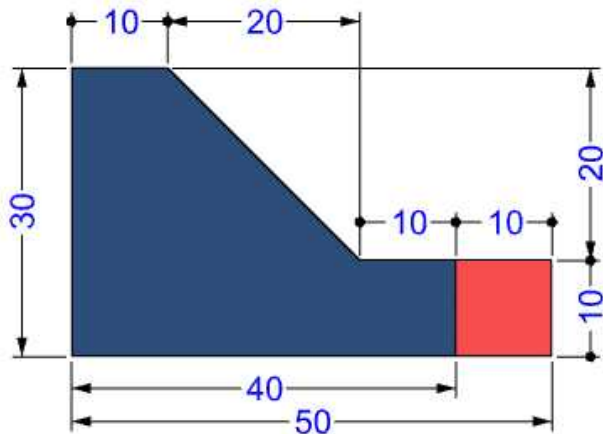
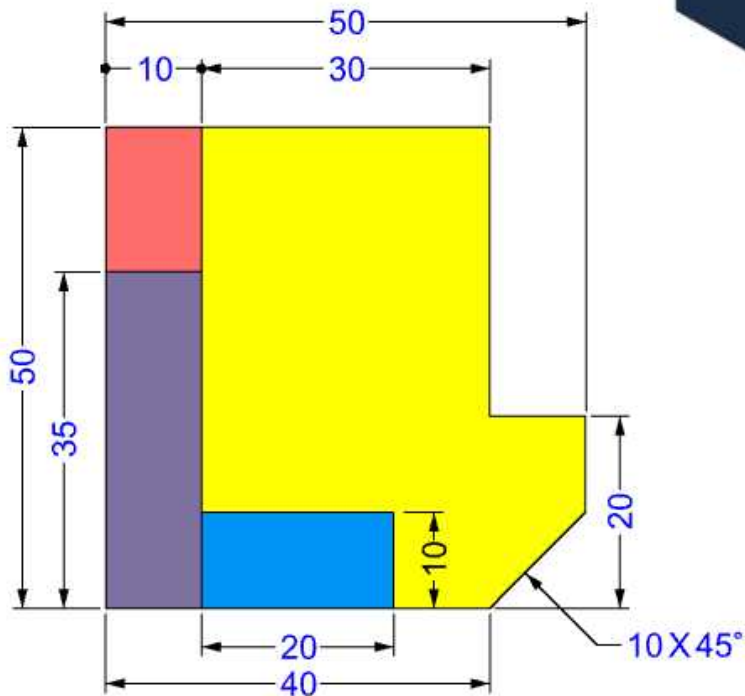
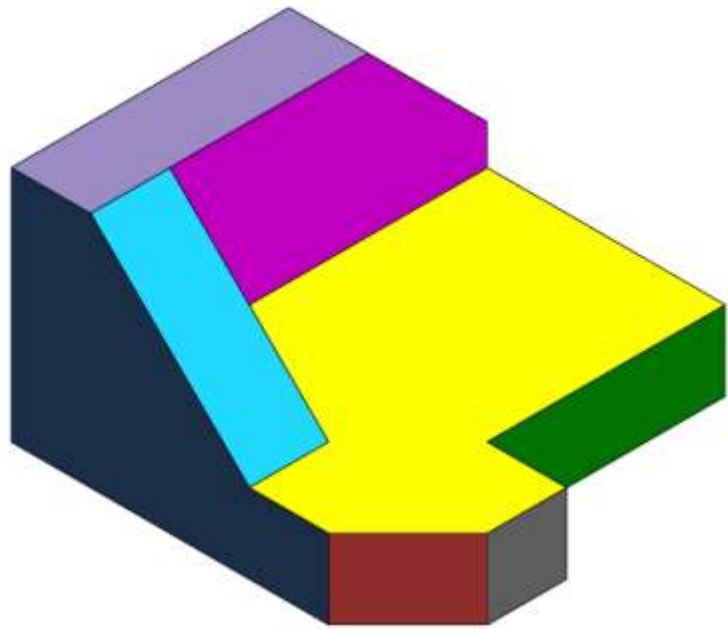
## EXERCISE-54



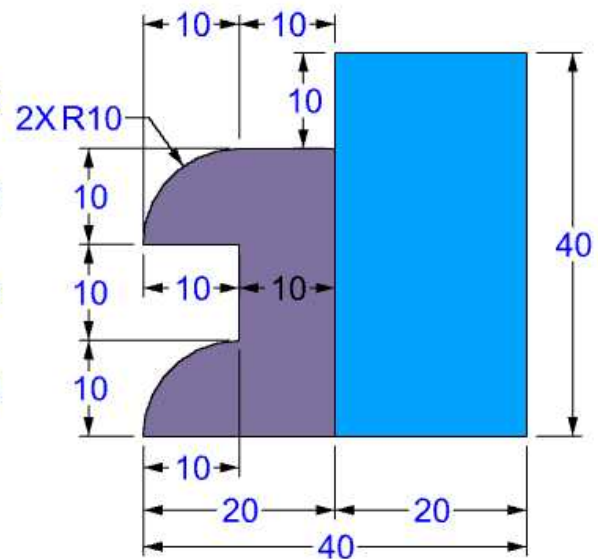
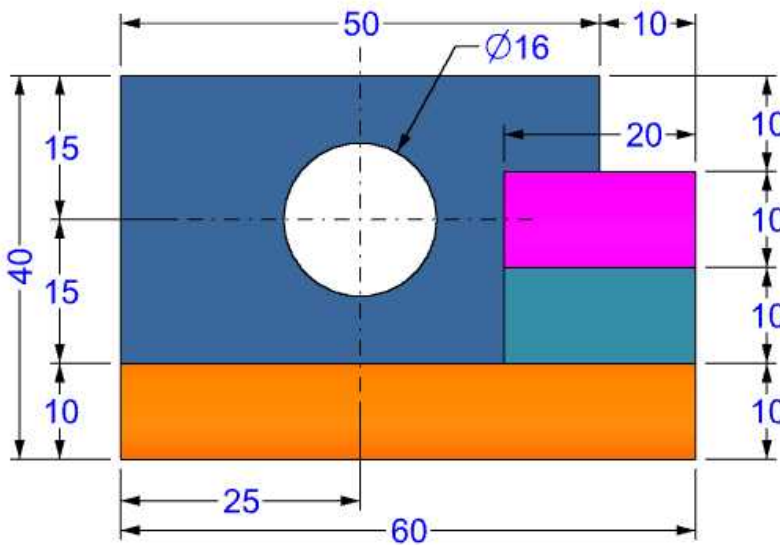
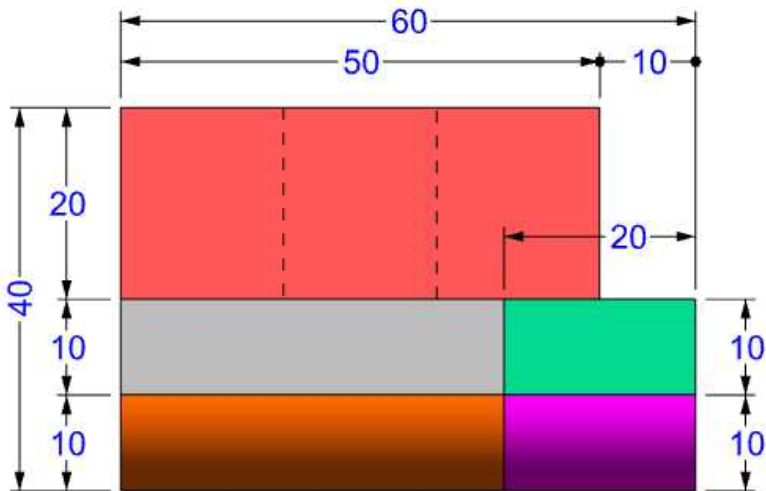
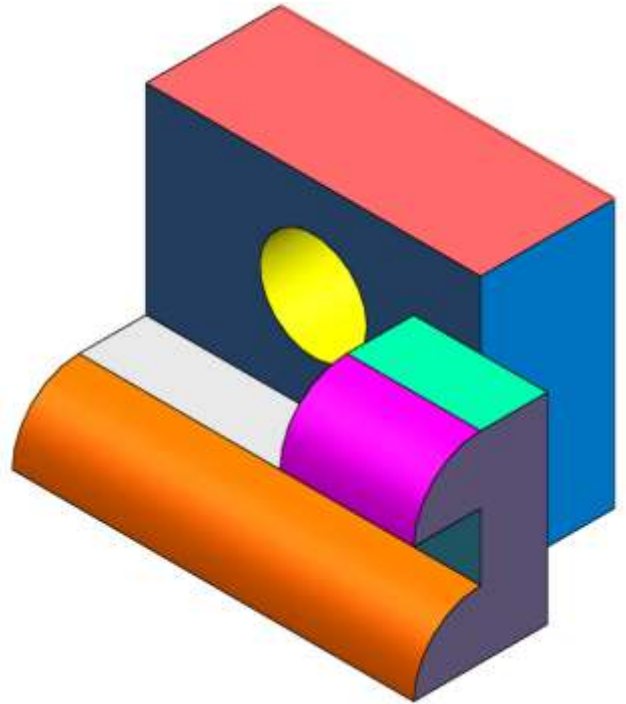
## EXERCISE-55



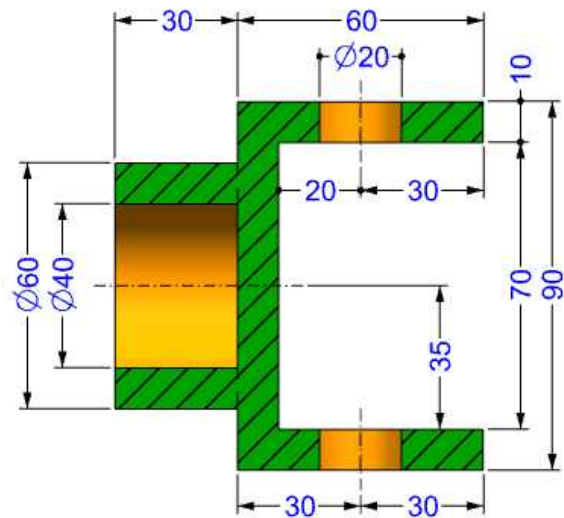
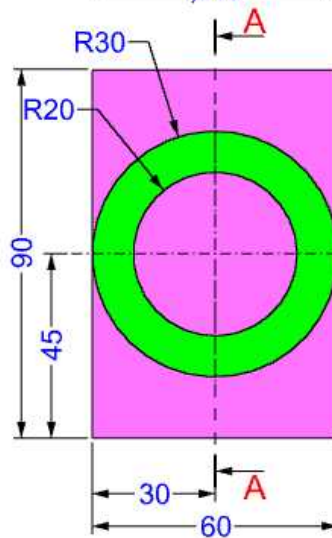
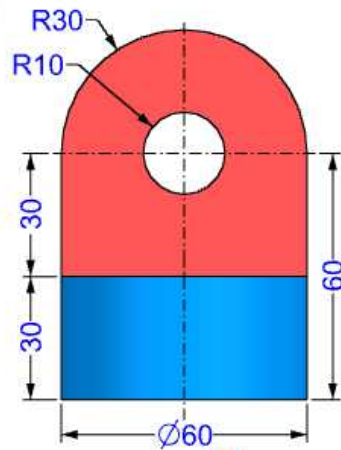
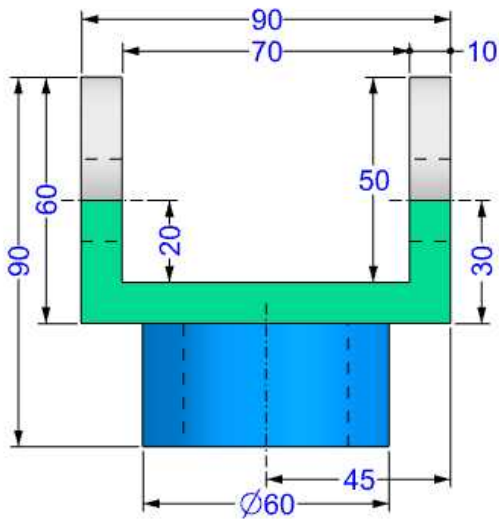
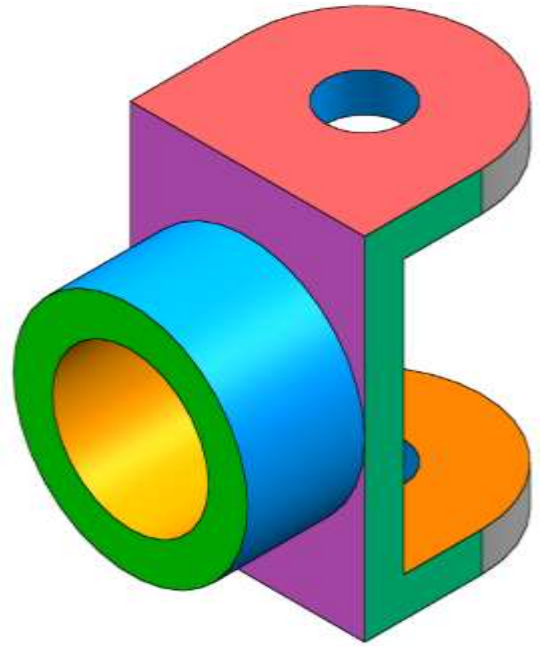
## EXERCISE-56



## EXERCISE-57

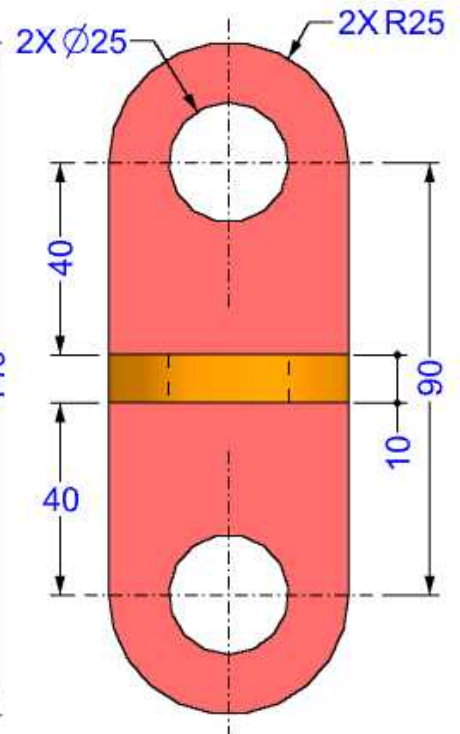
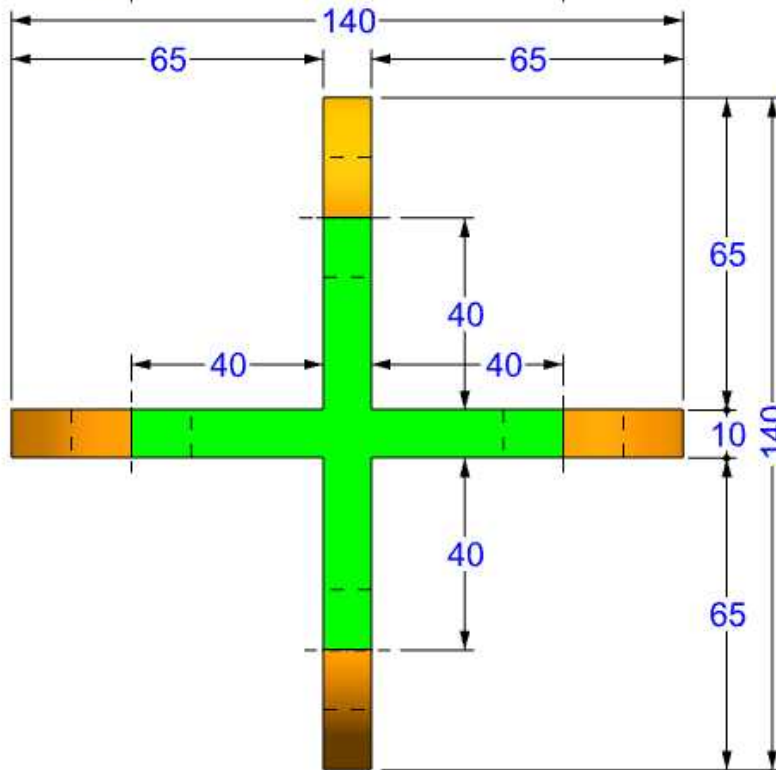
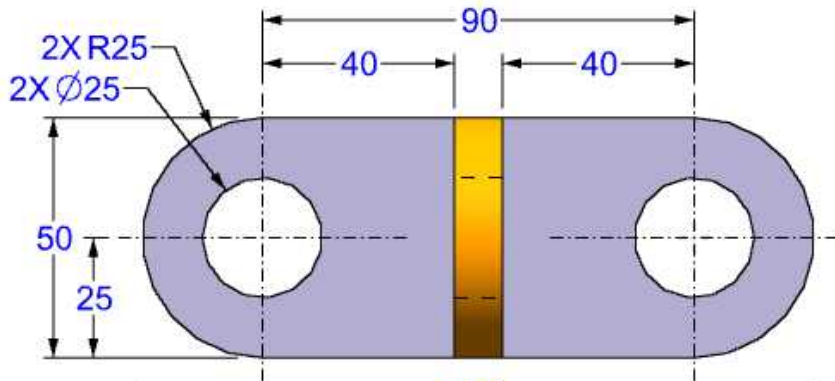
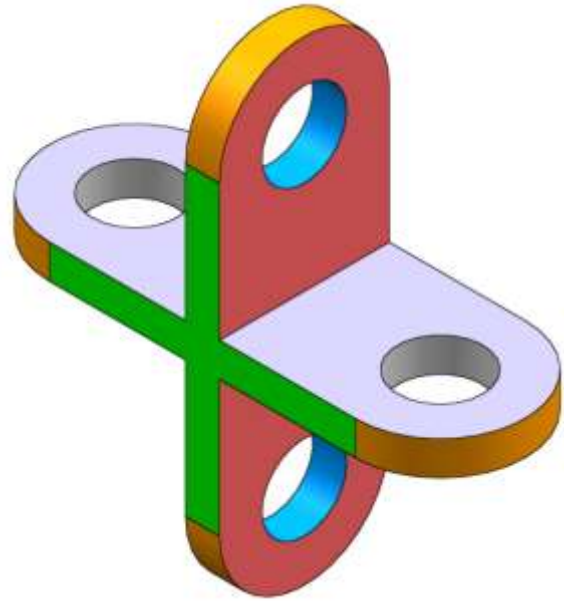


## EXERCISE-58

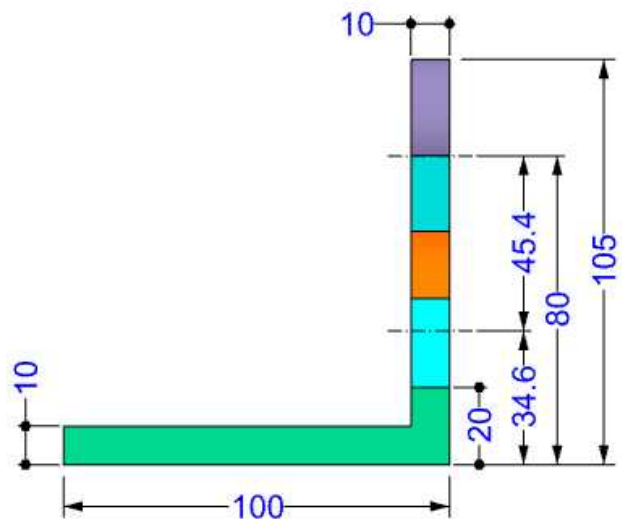
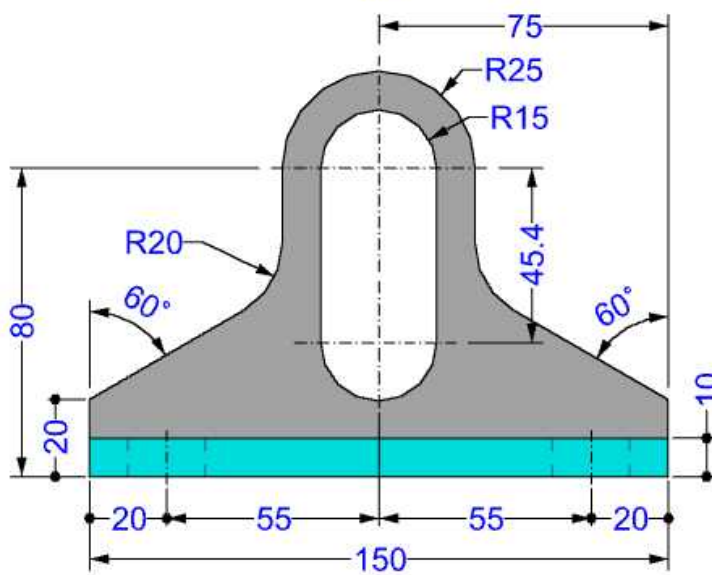
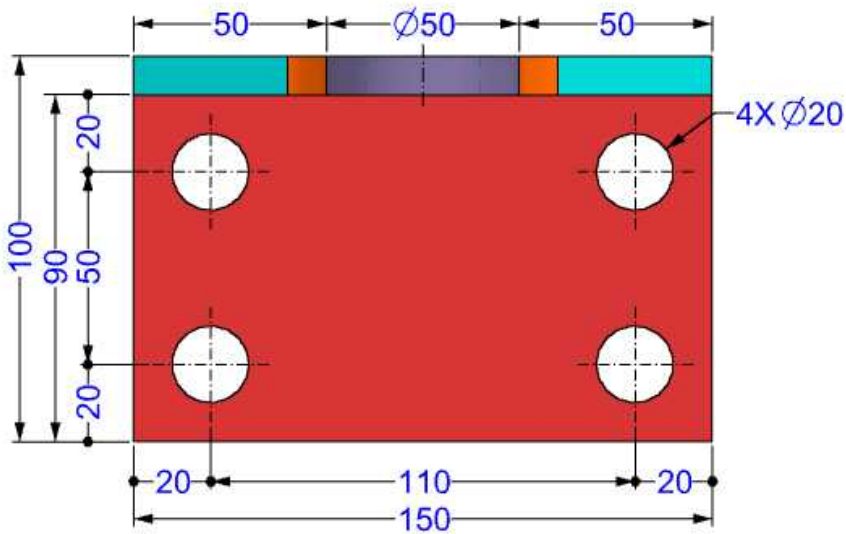
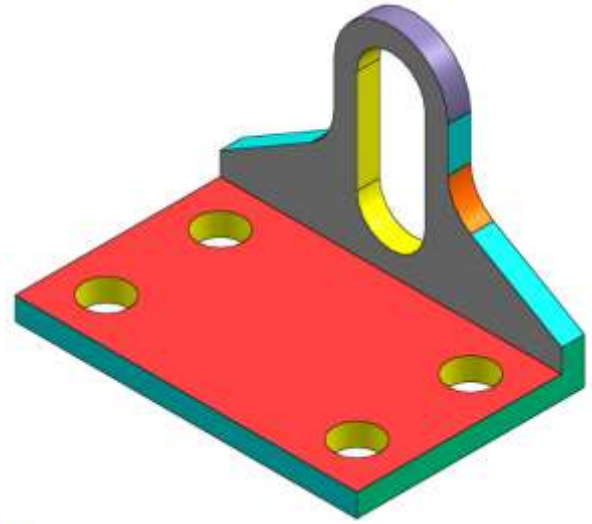


SECTION A-A

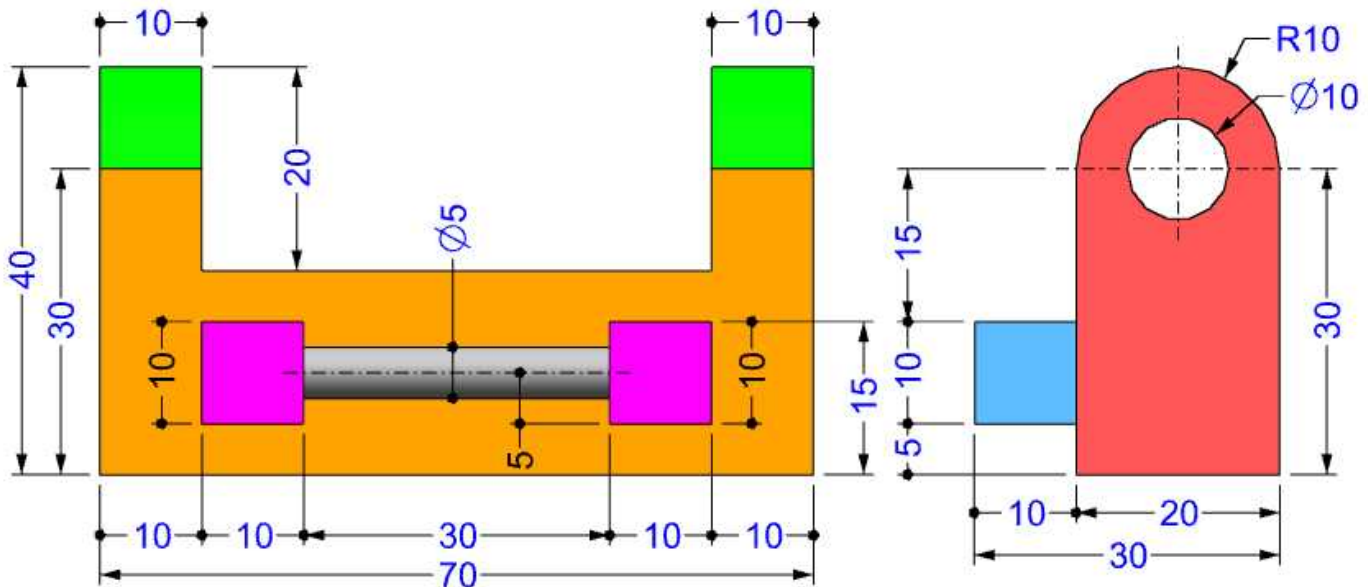
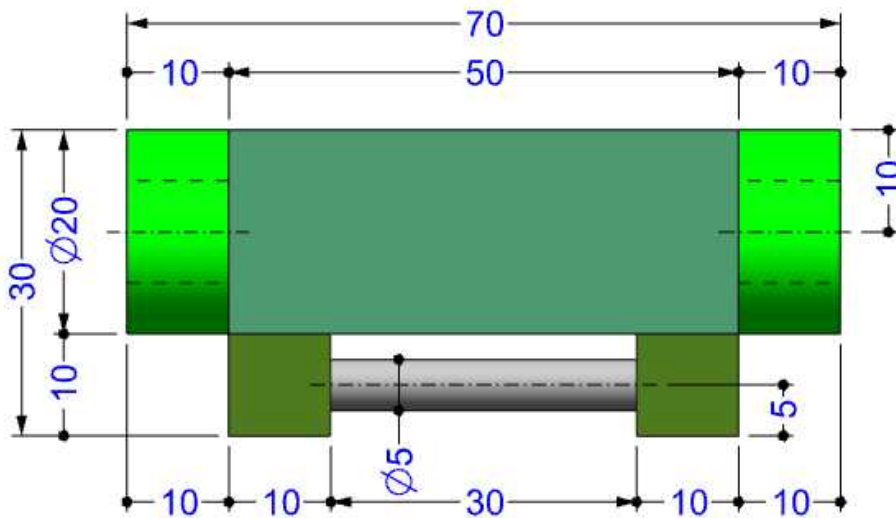
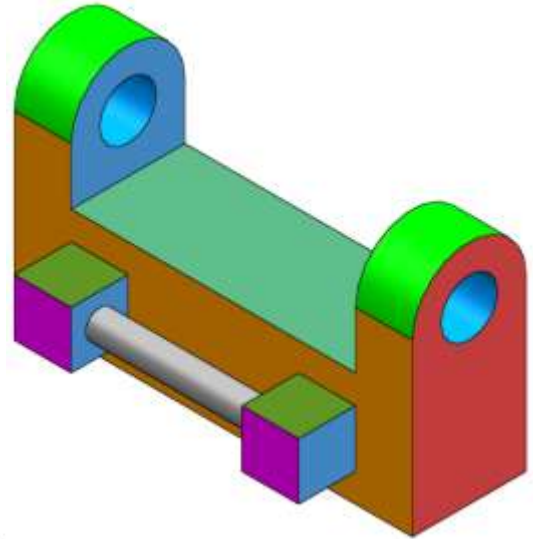
## EXERCISE-59



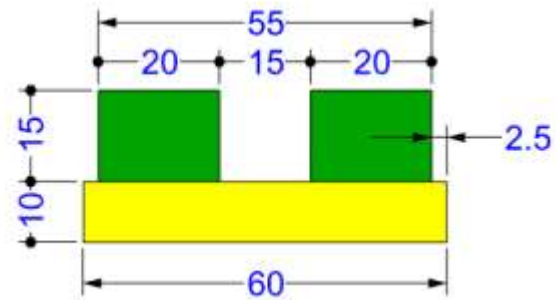
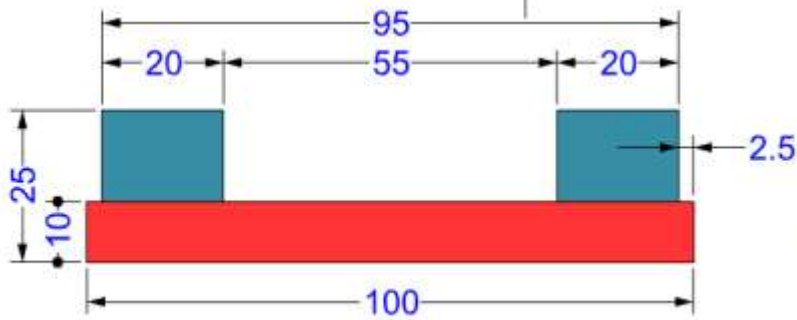
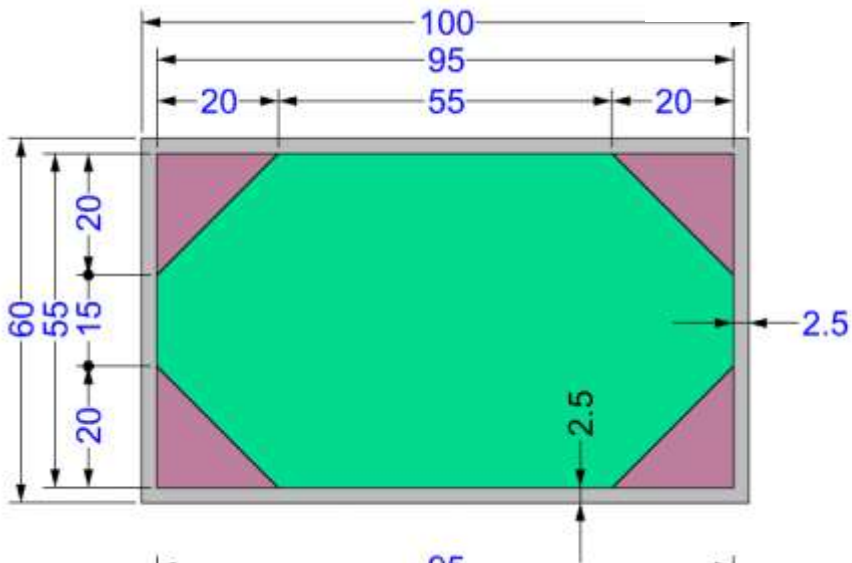
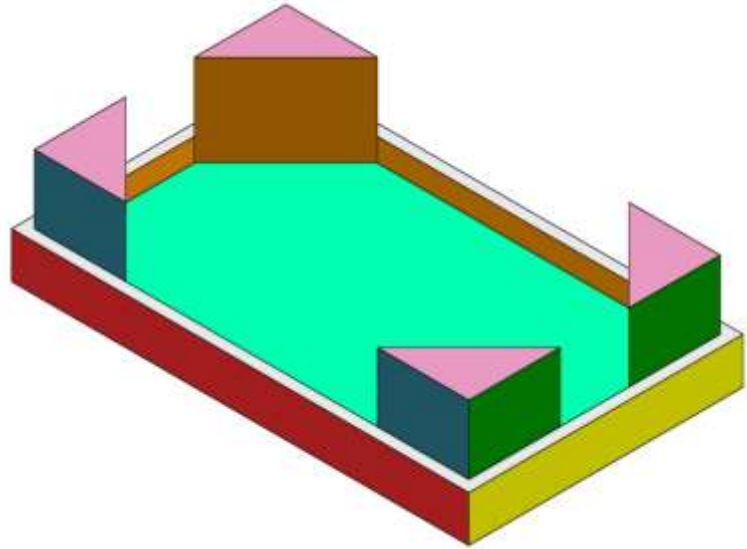
## EXERCISE-60



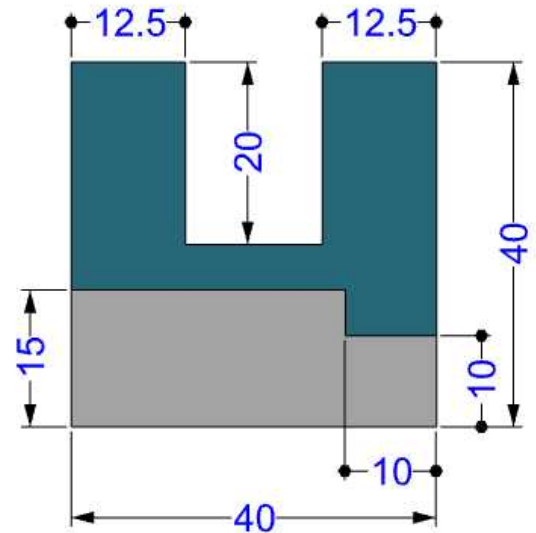
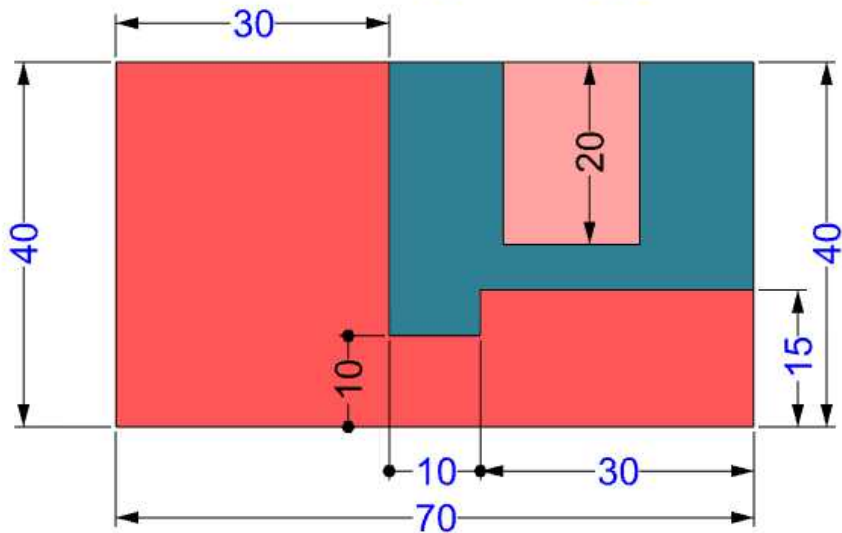
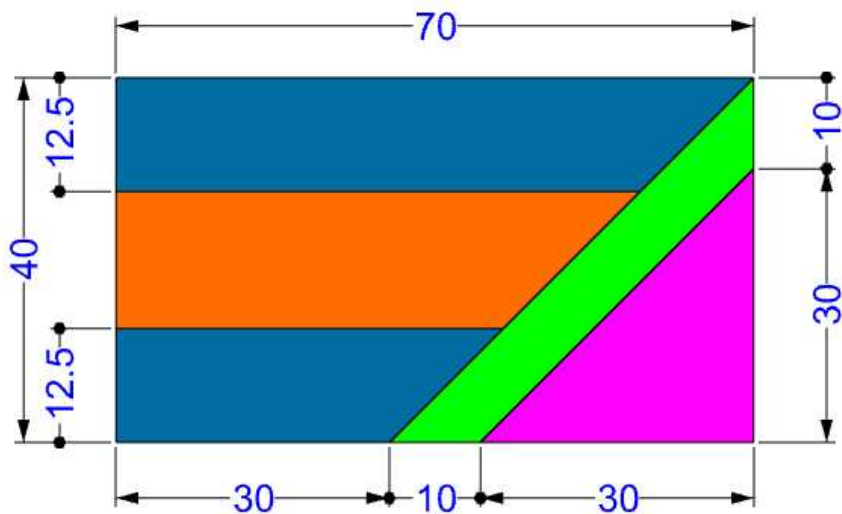
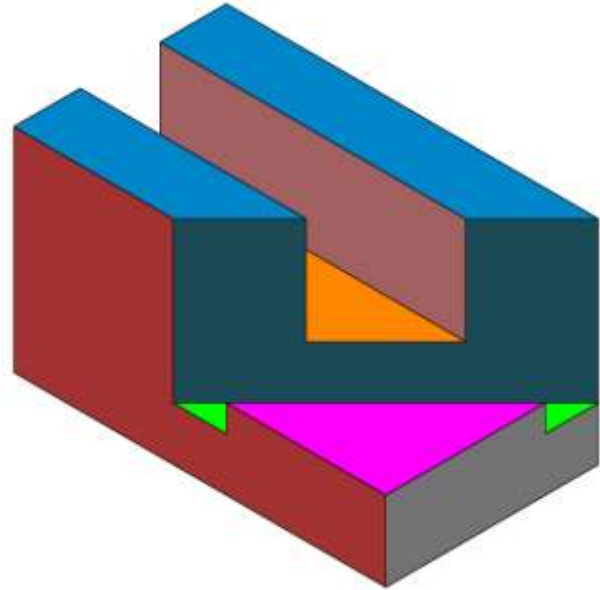
## EXERCISE-61



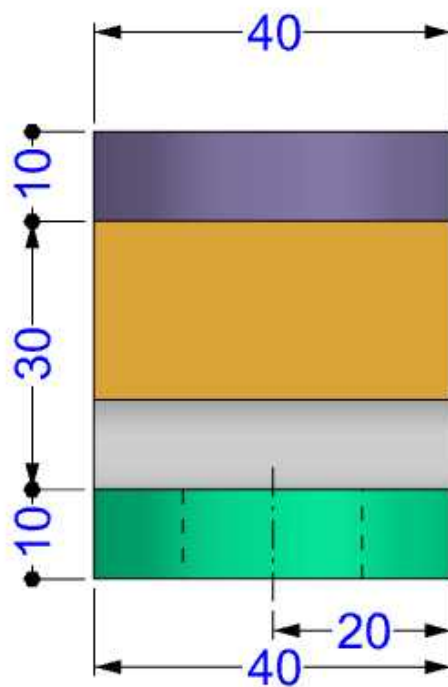
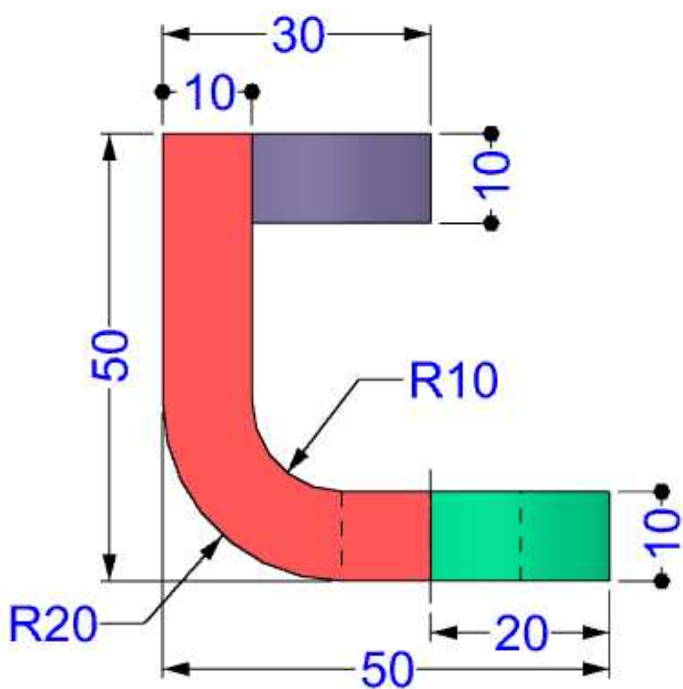
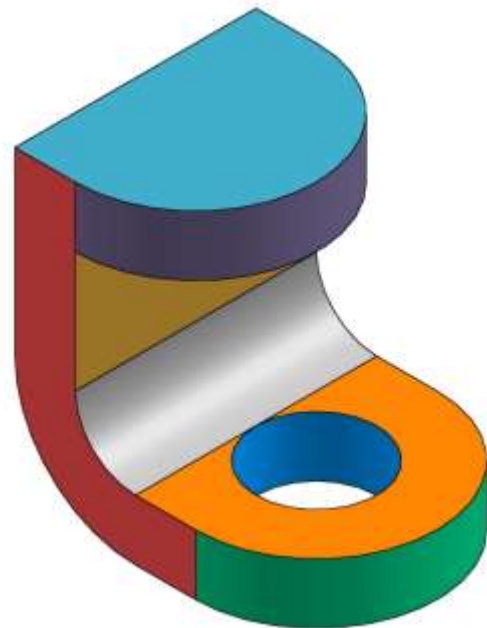
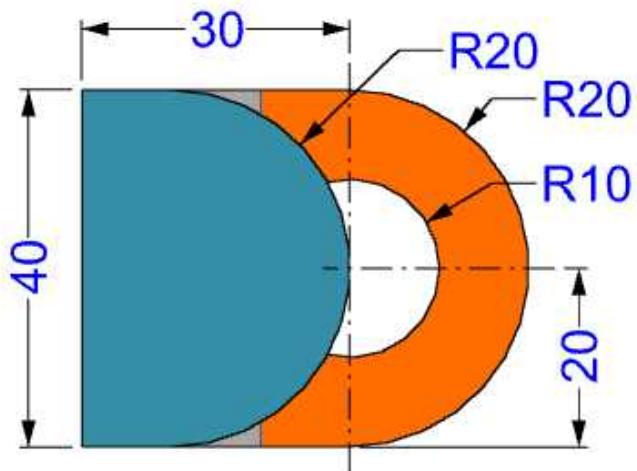
## EXERCISE-62



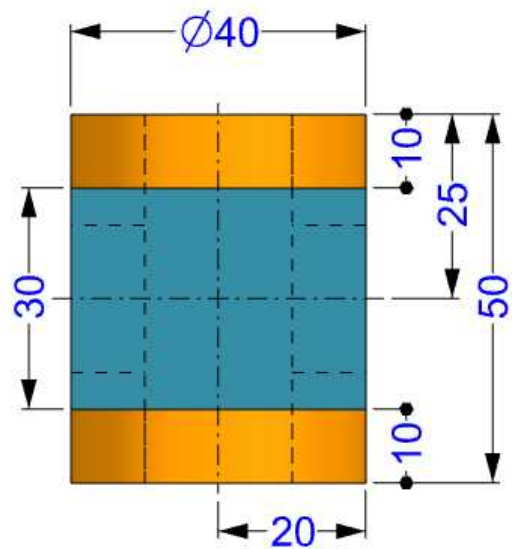
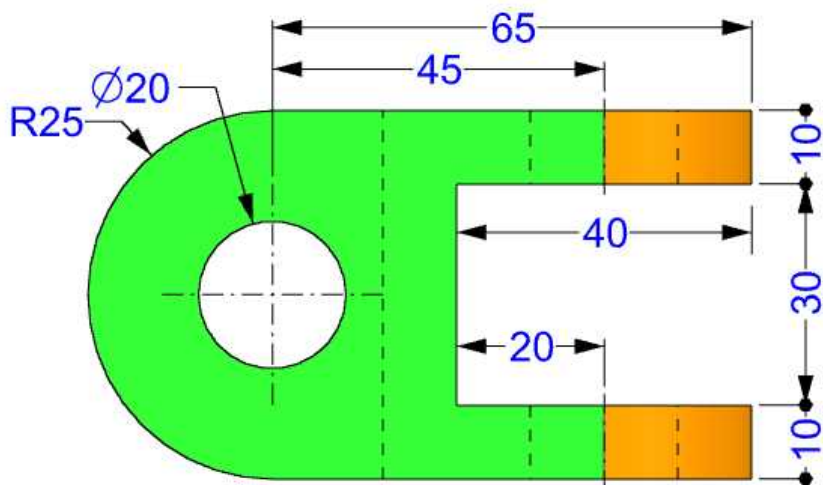
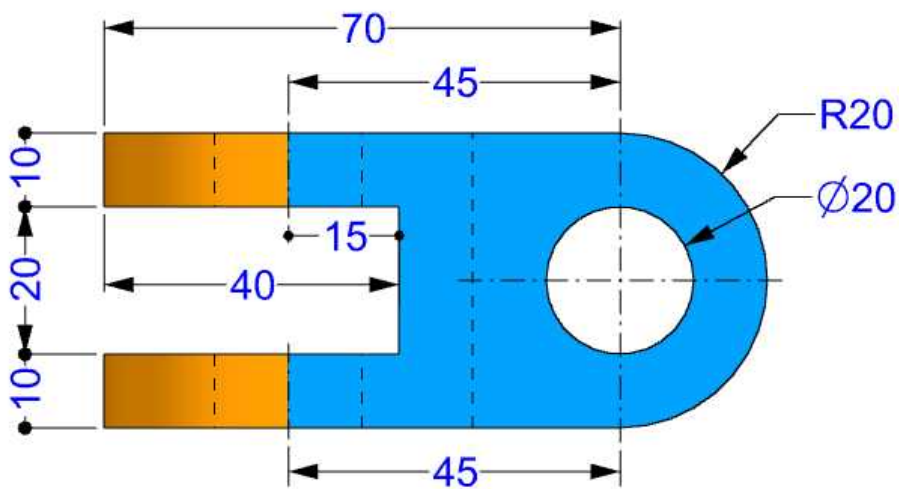
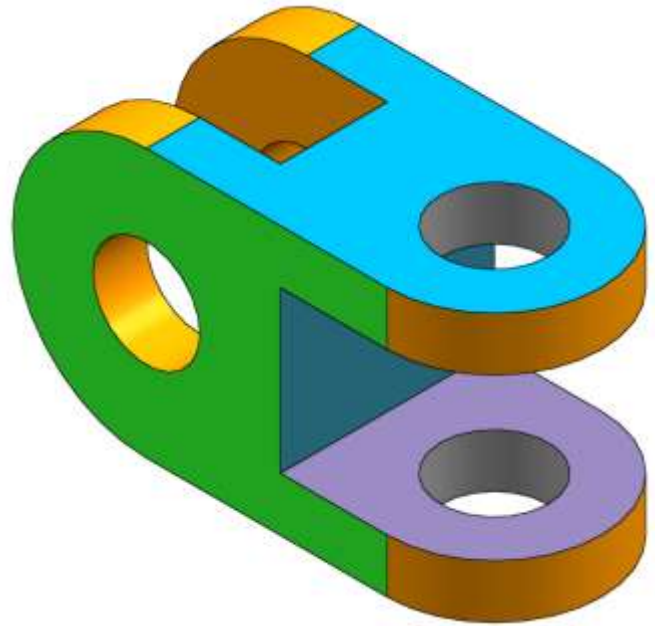
## EXERCISE-63



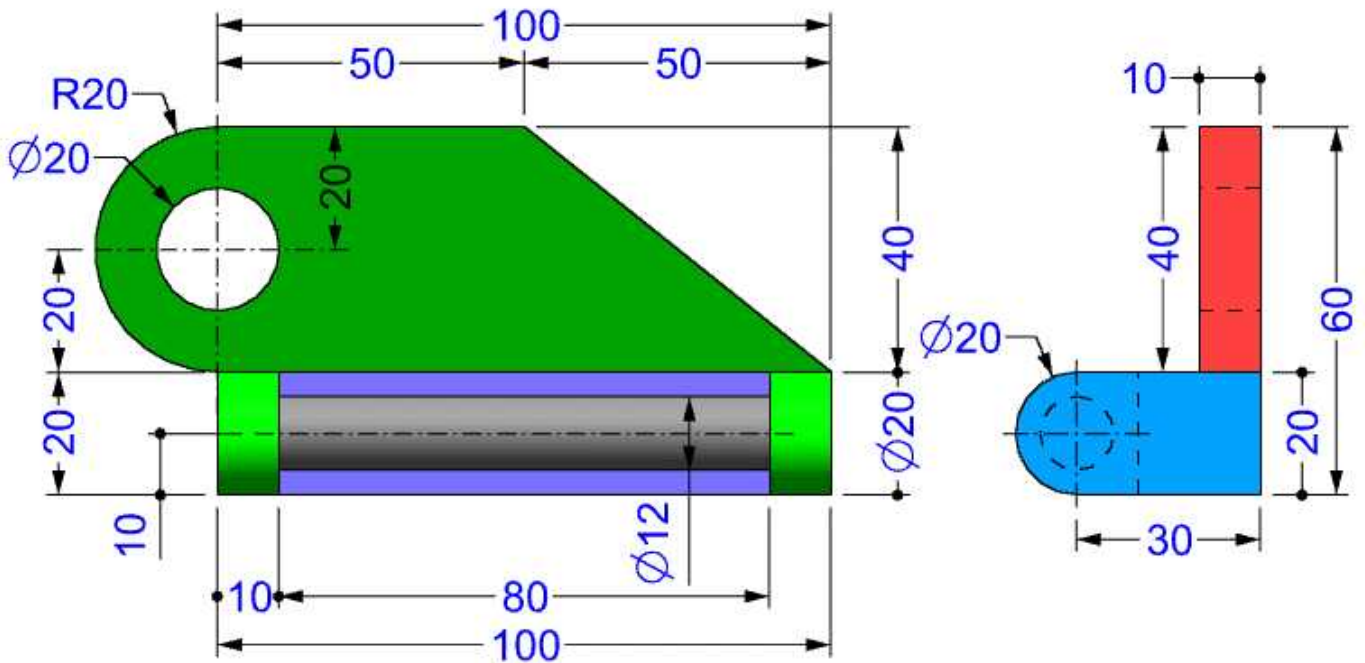
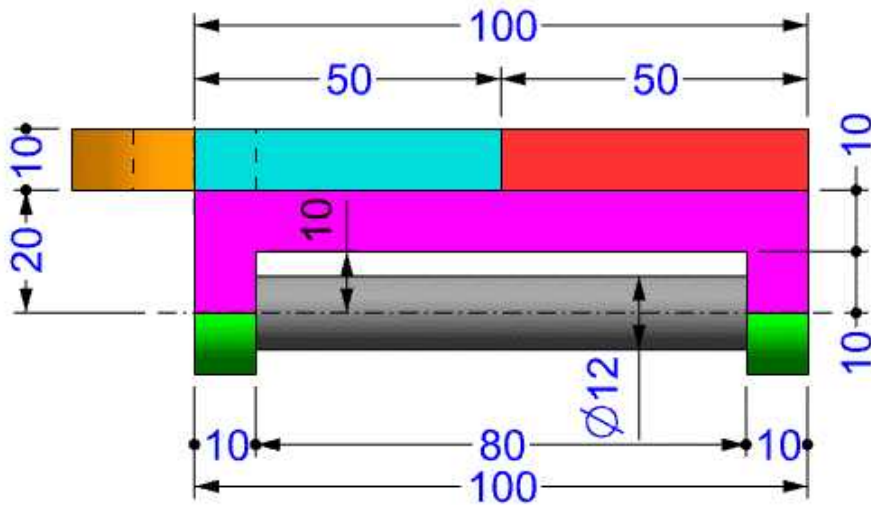
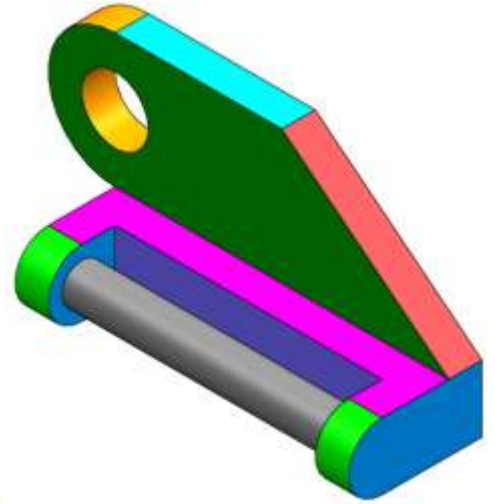
## EXERCISE-64



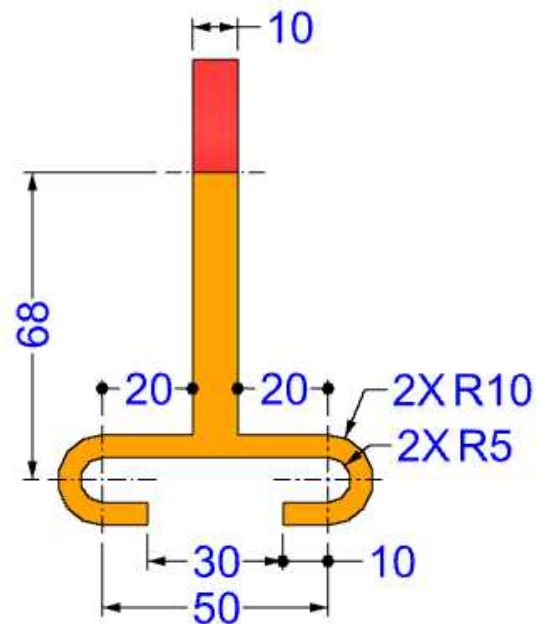
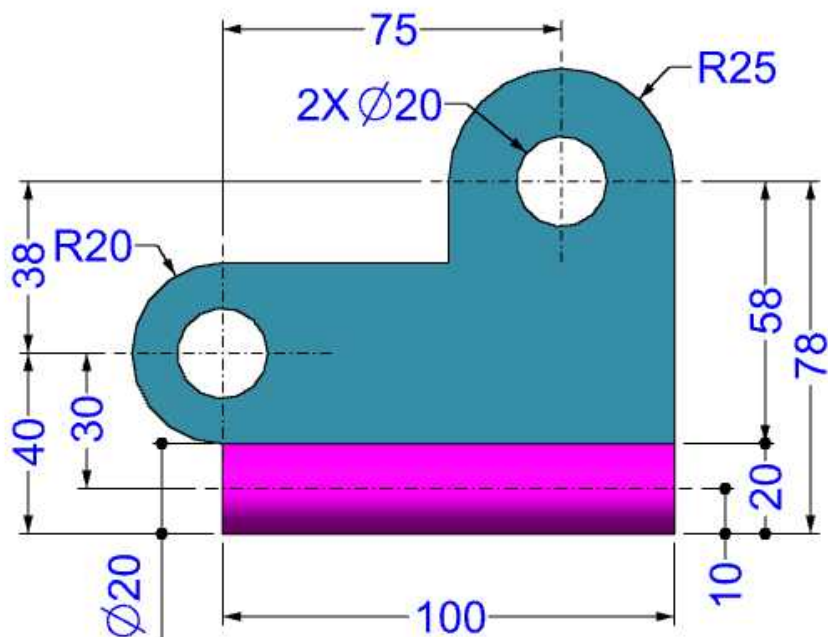
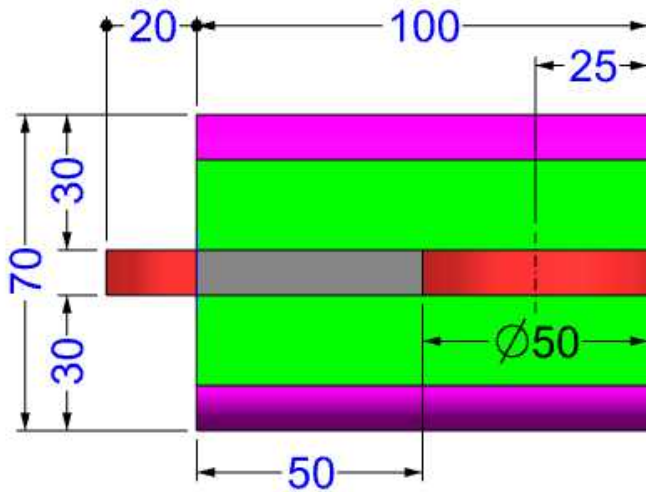
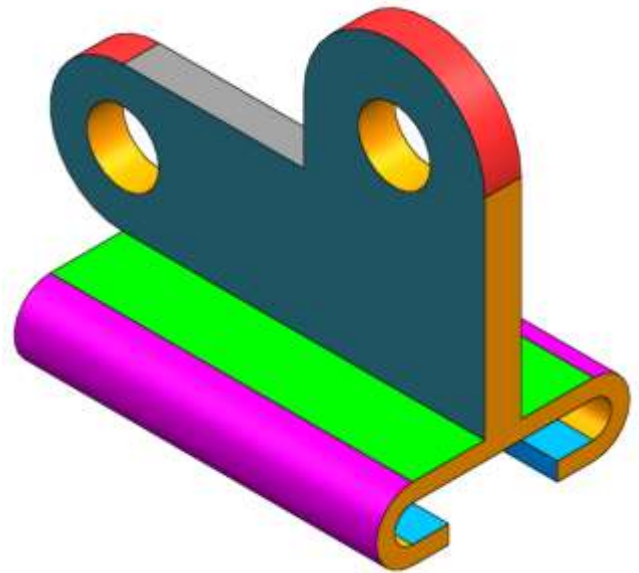
## EXERCISE-65



## EXERCISE-66

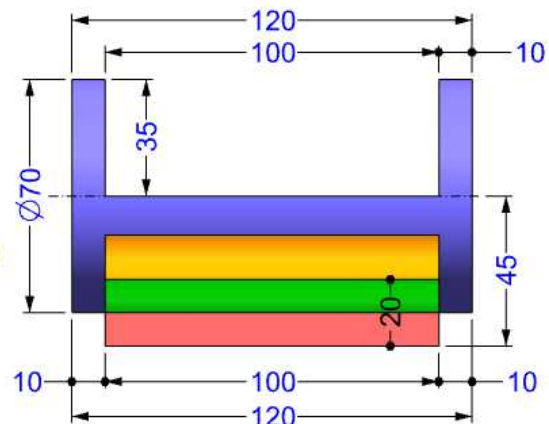
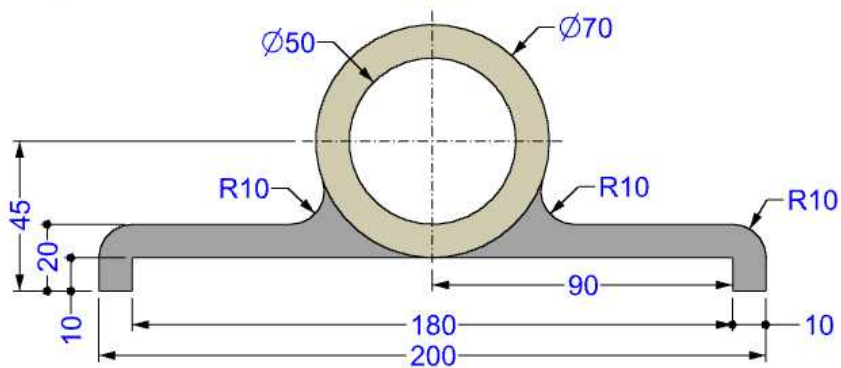
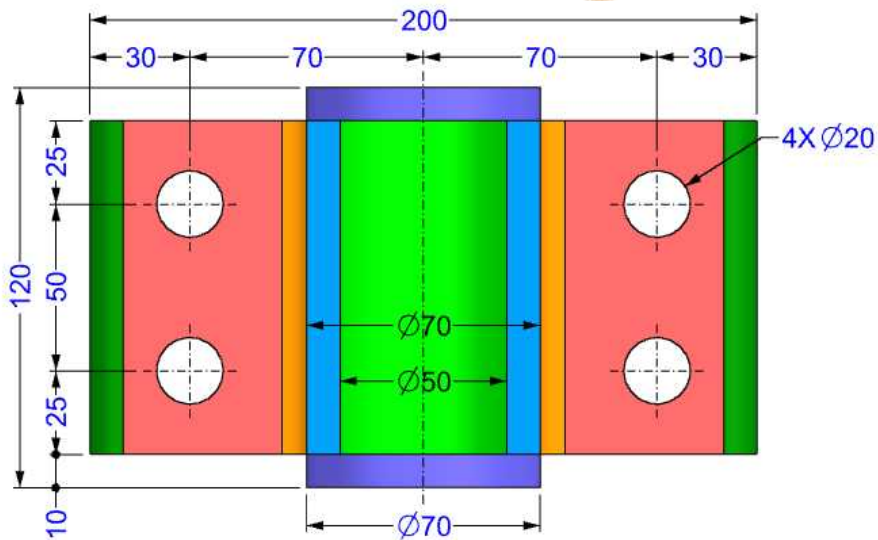
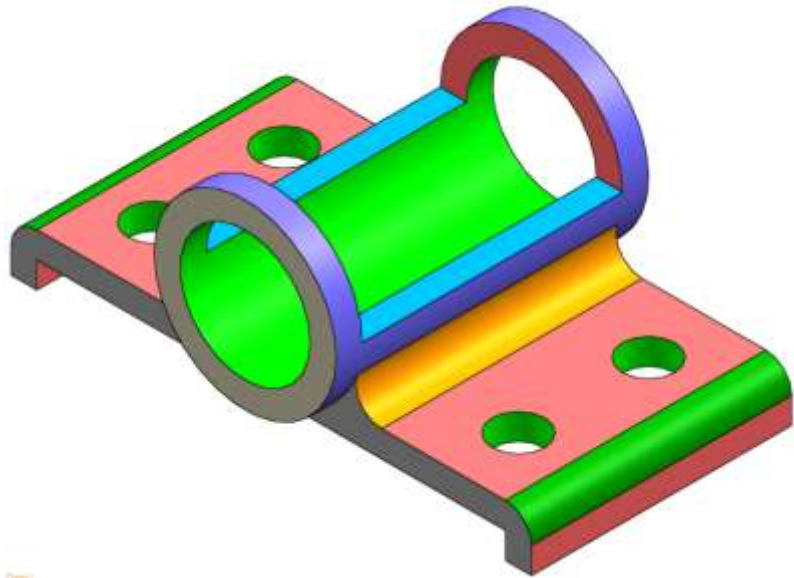


## EXERCISE-67

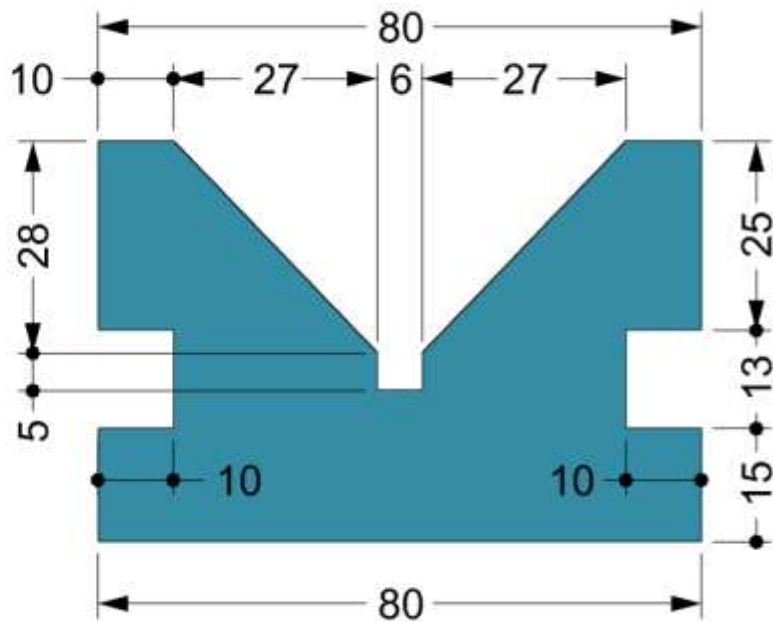
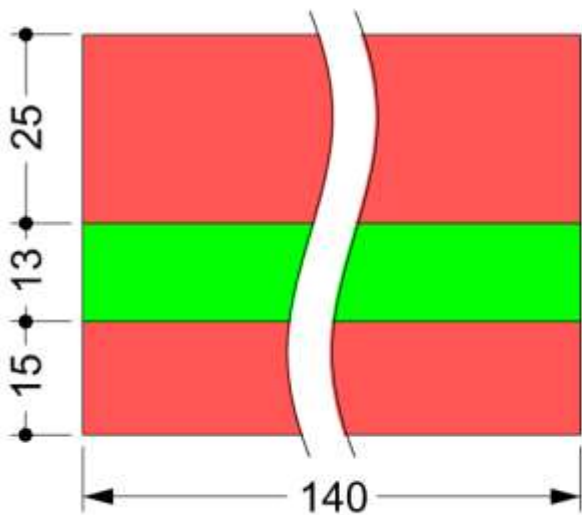
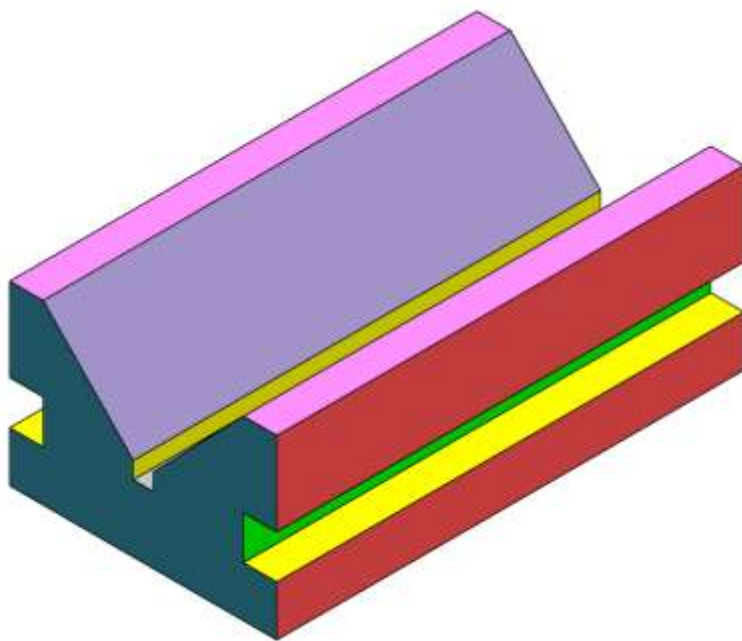




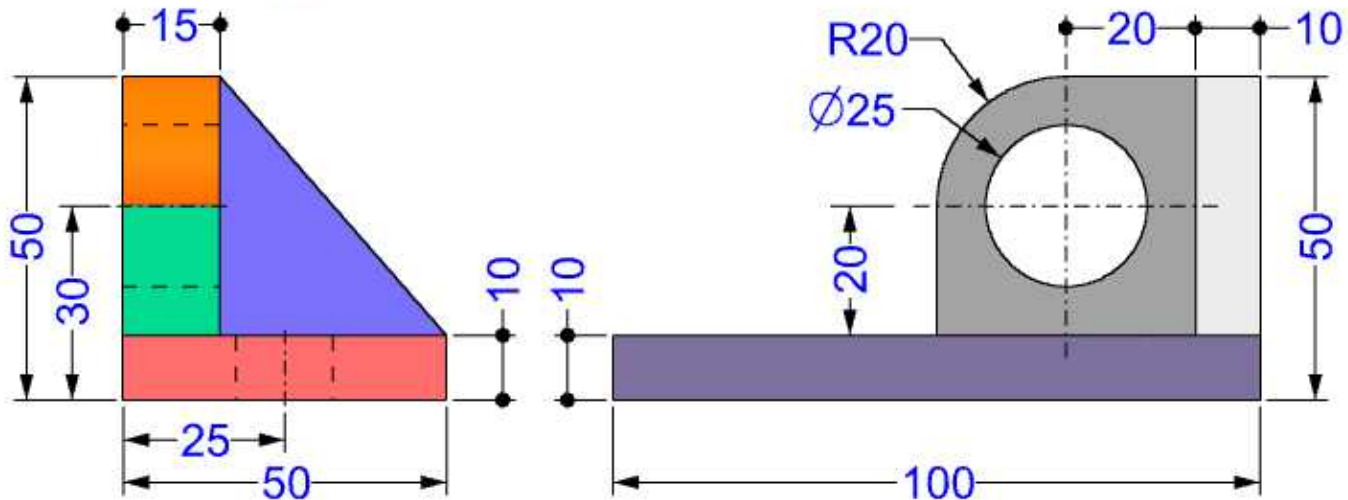
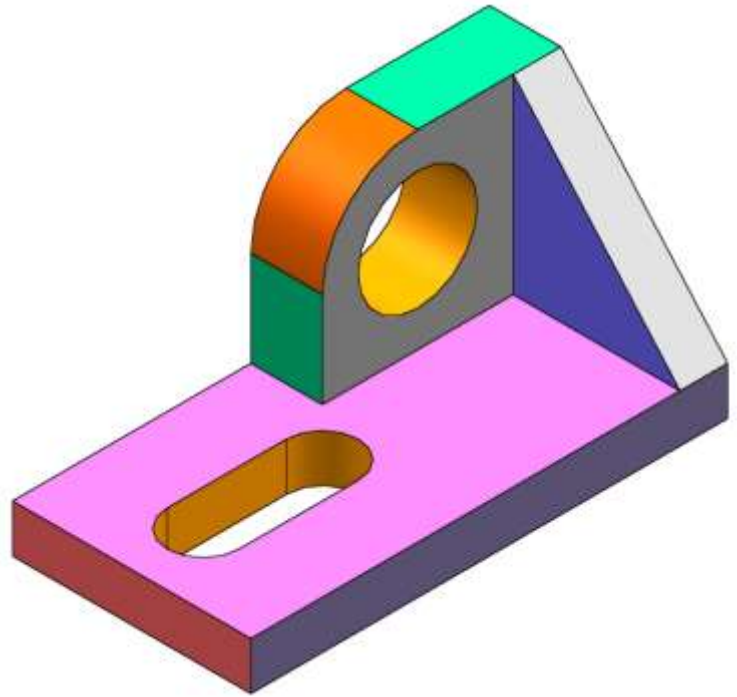
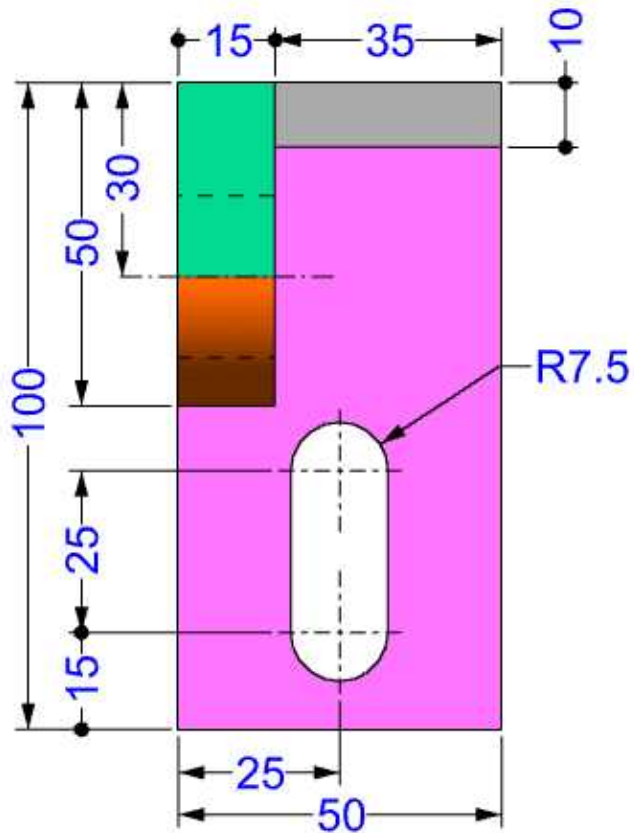
## EXERCISE-69



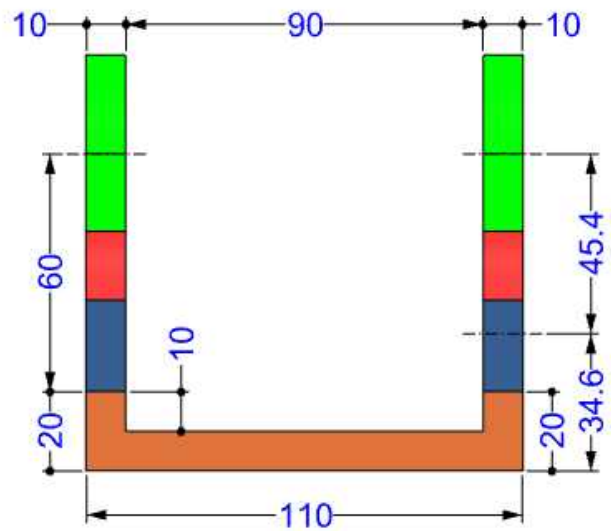
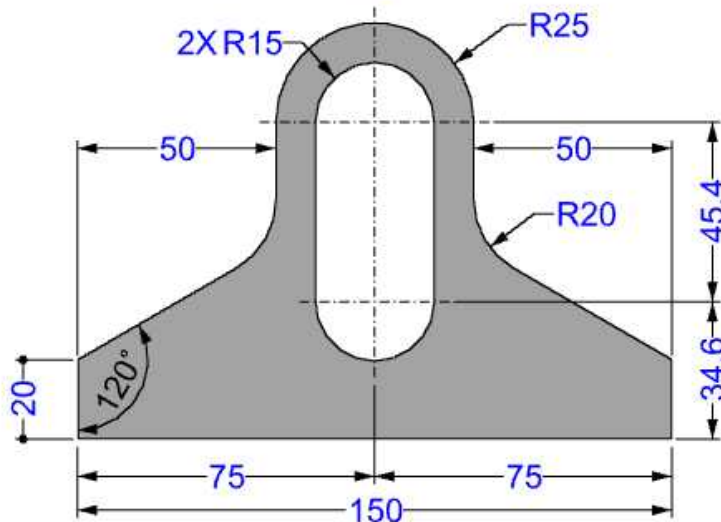
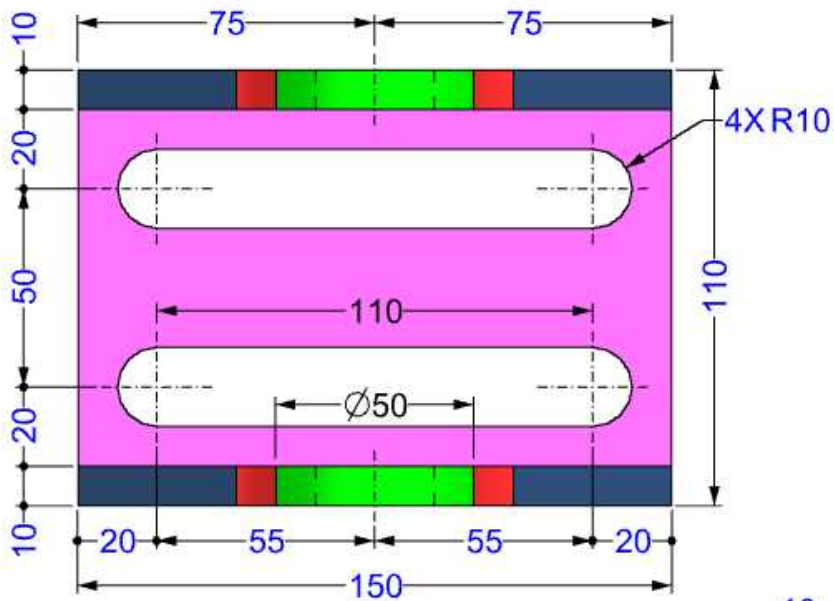
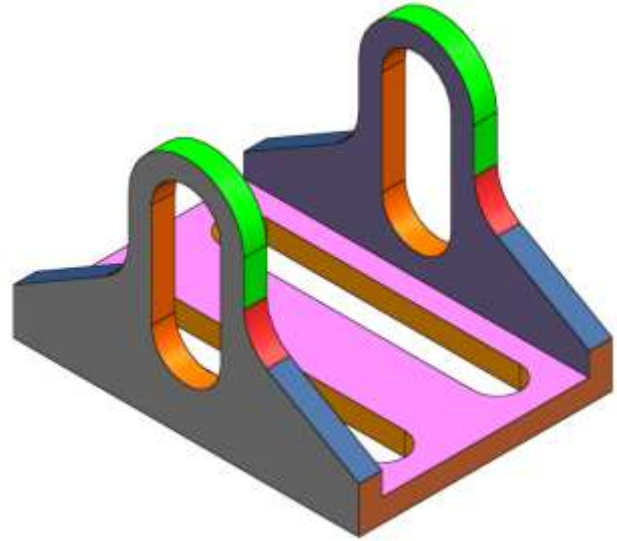
## EXERCISE-70



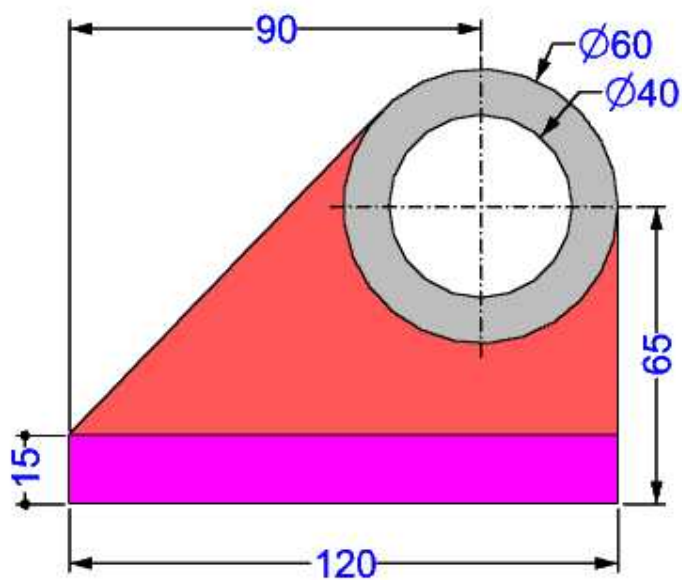
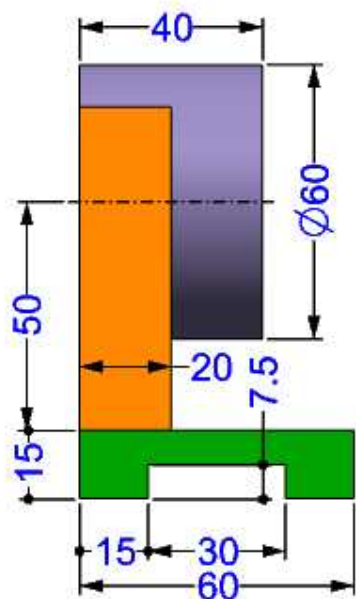
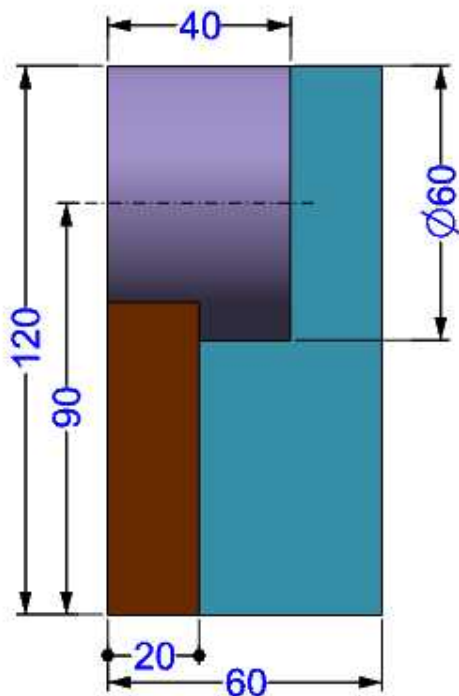
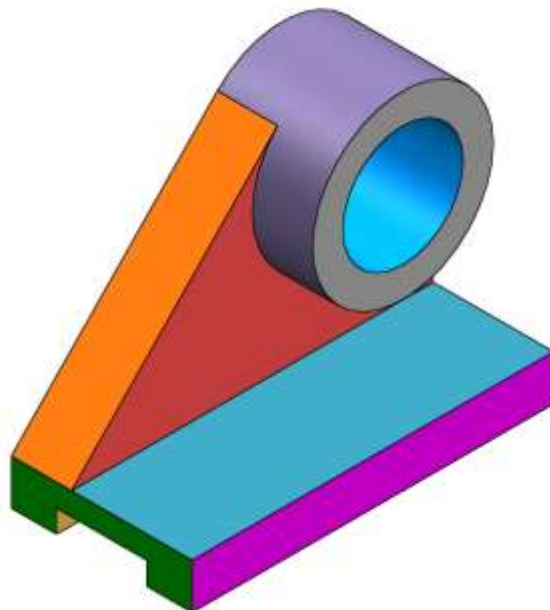
## EXERCISE-71



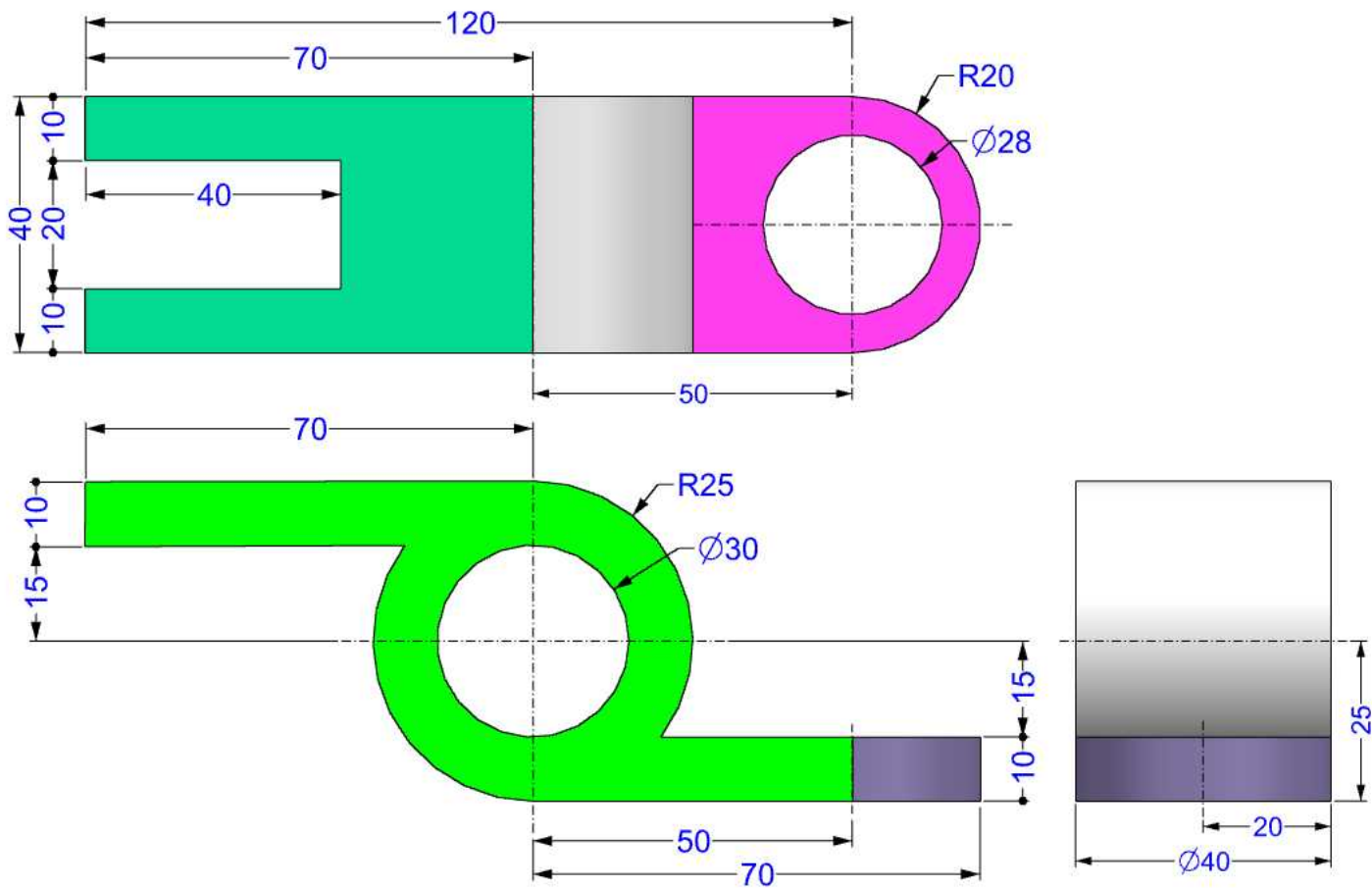
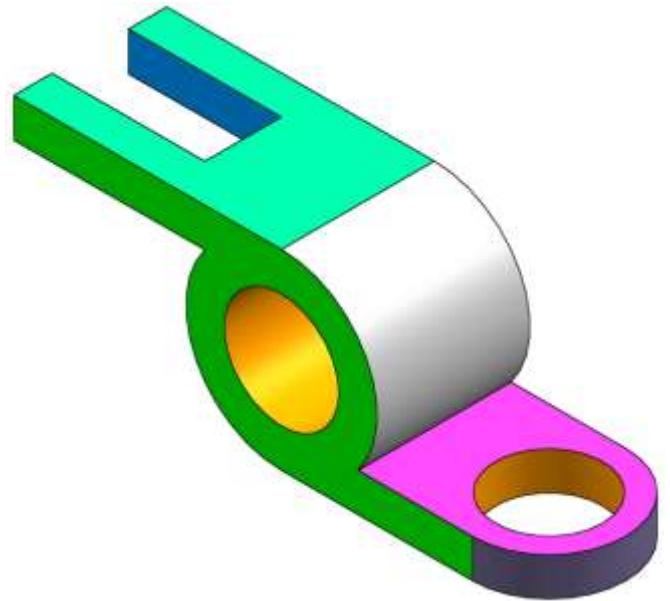
## EXERCISE-72



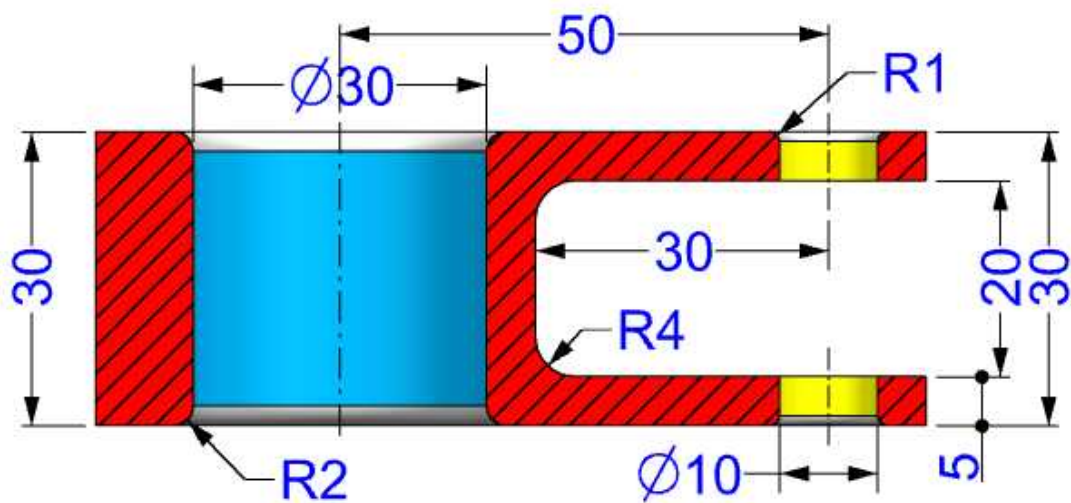
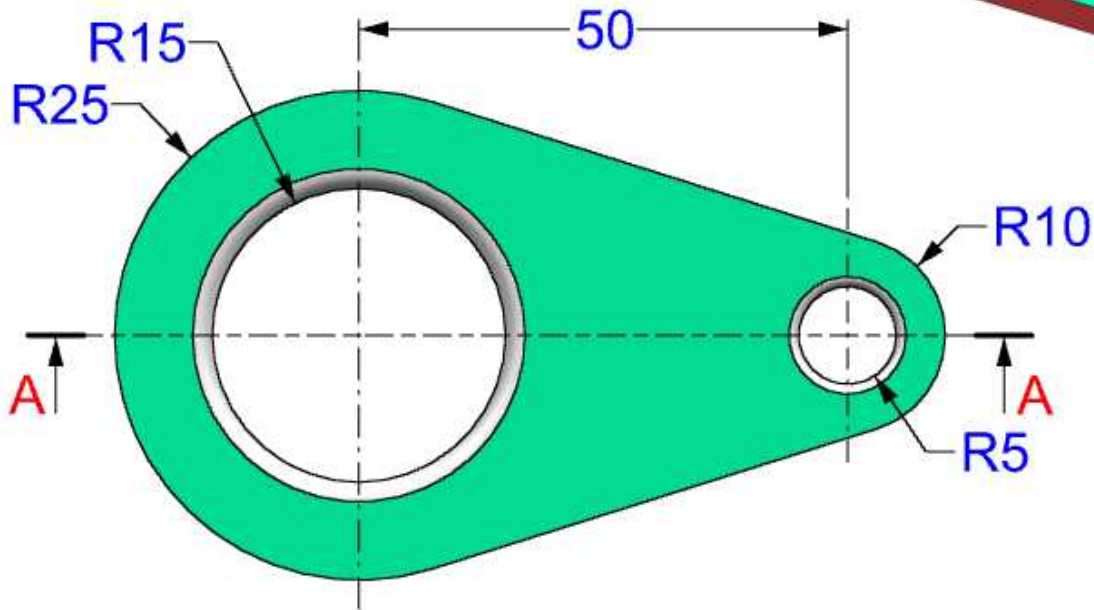
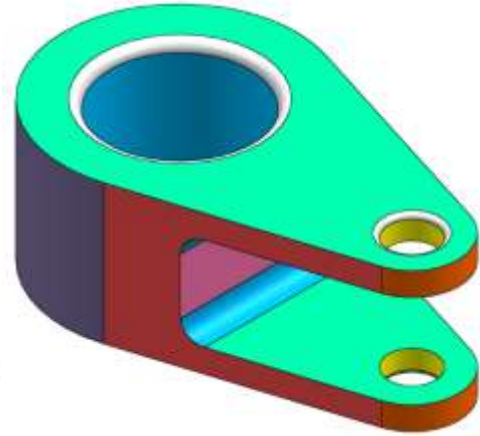
## EXERCISE-73



## EXERCISE-74

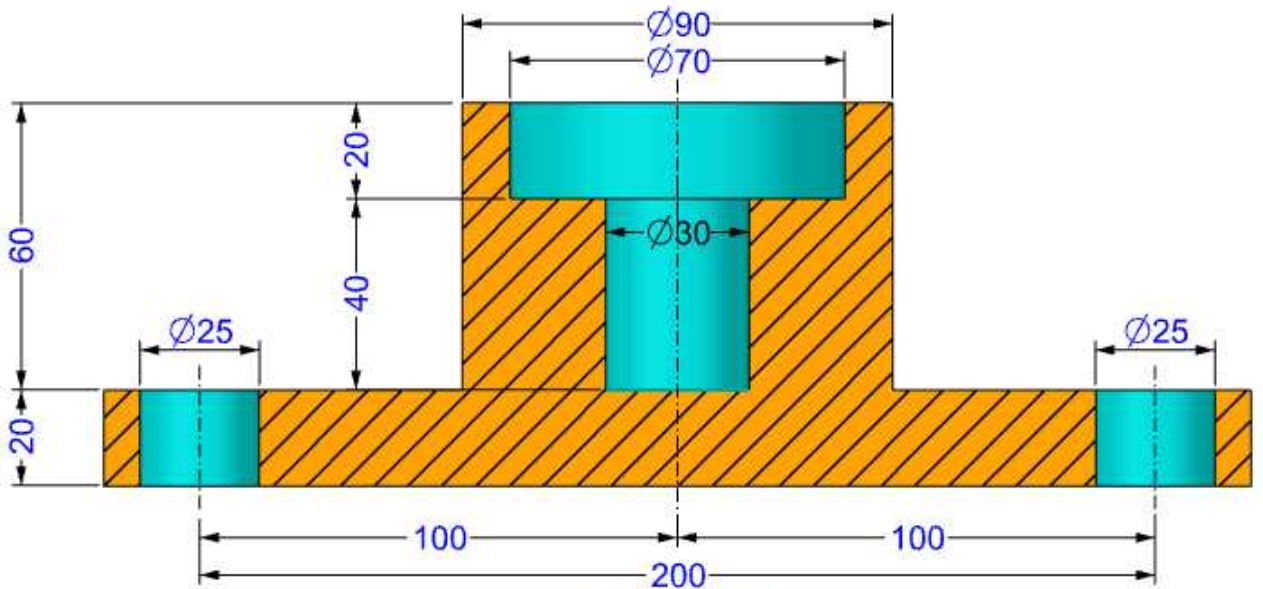
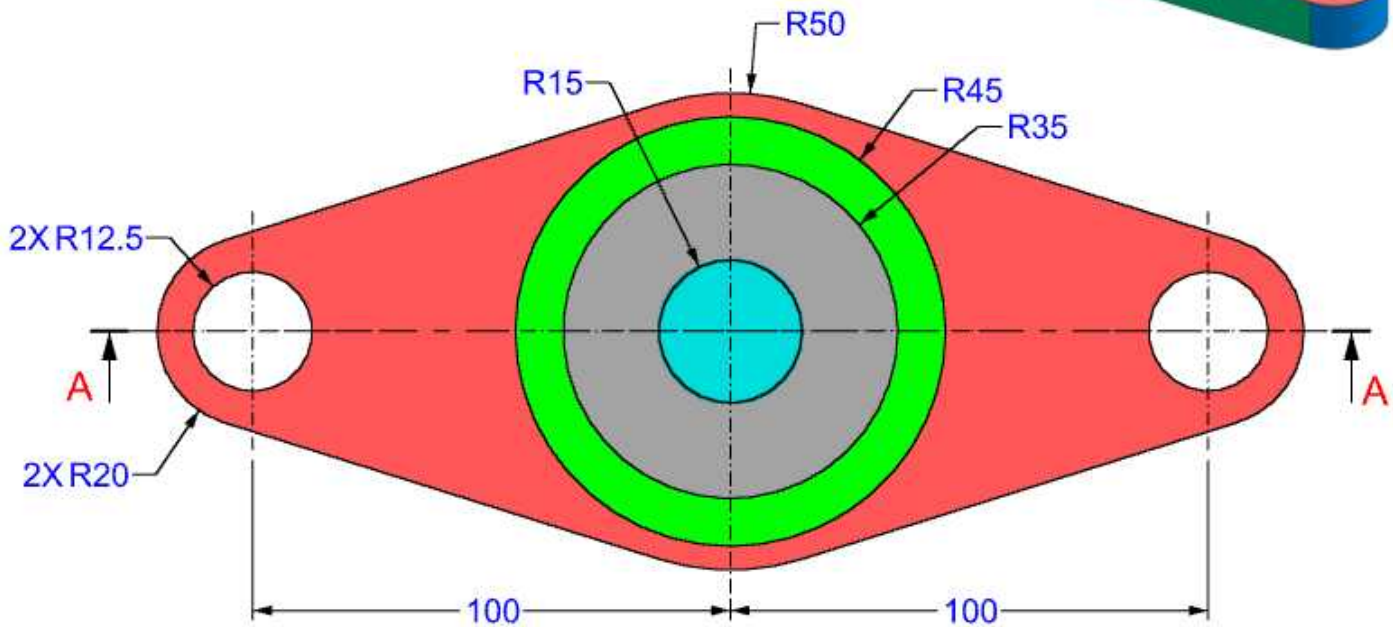
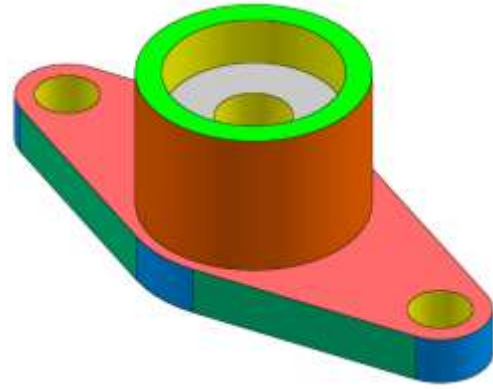


## EXERCISE-75



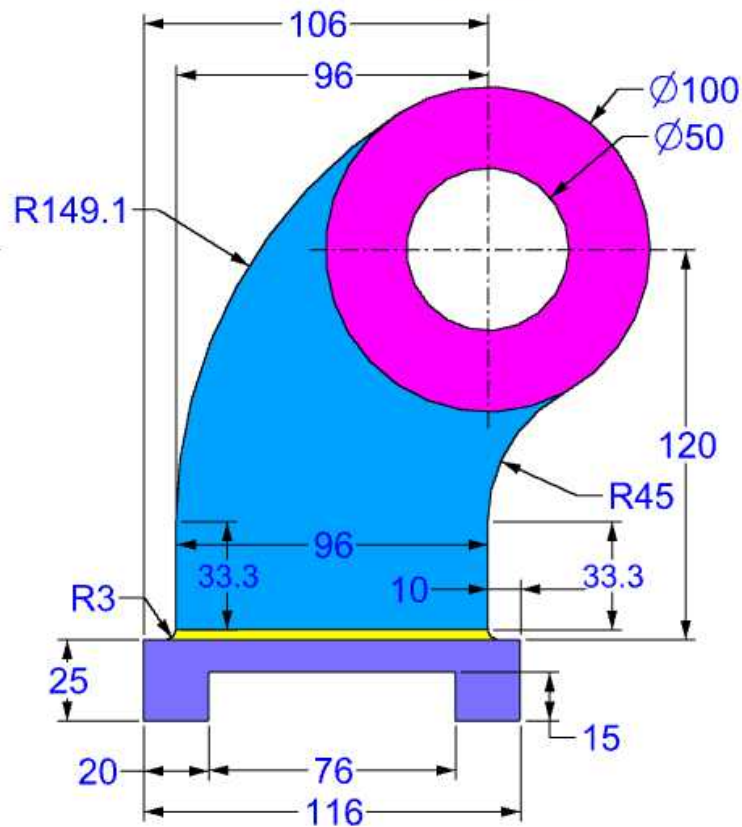
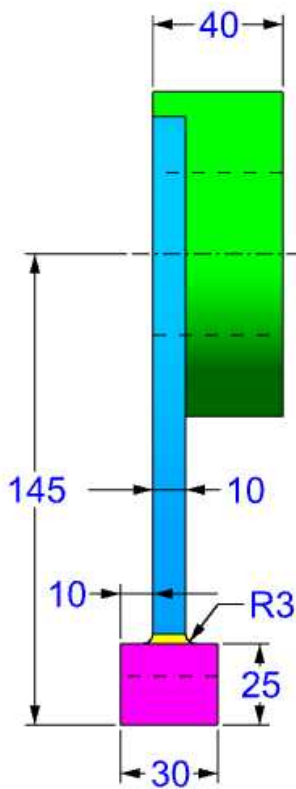
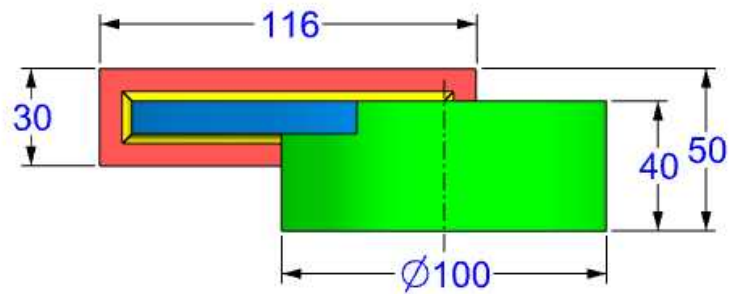
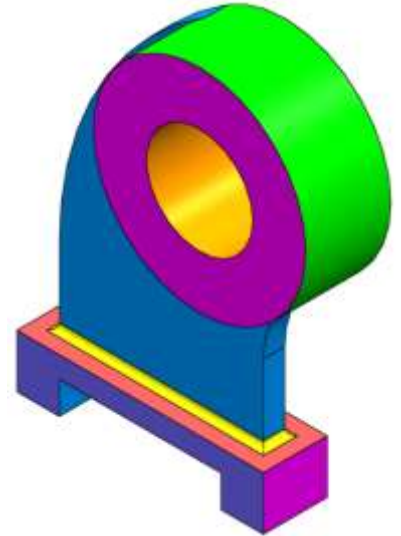
SECTION A-A

## EXERCISE-76

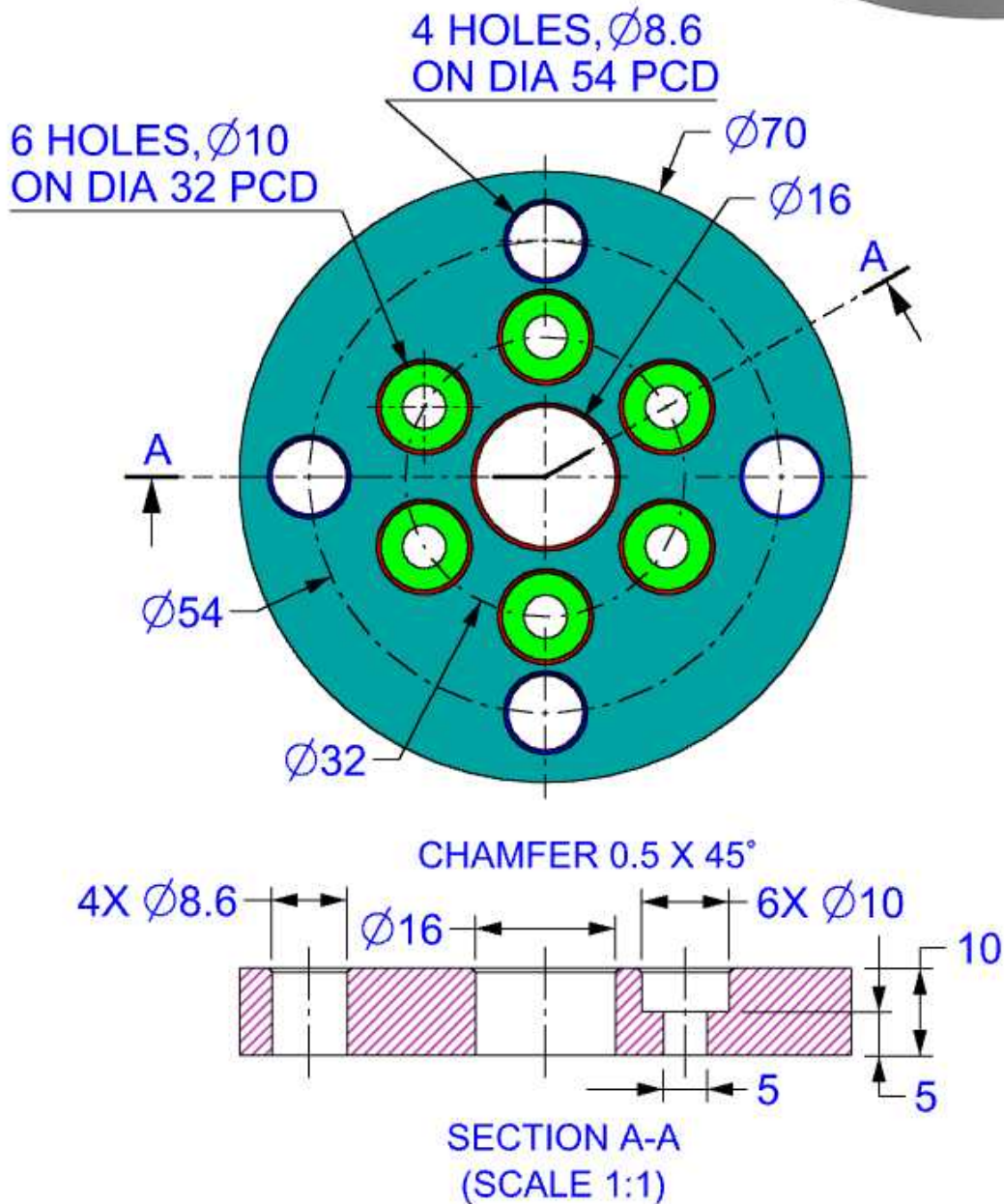
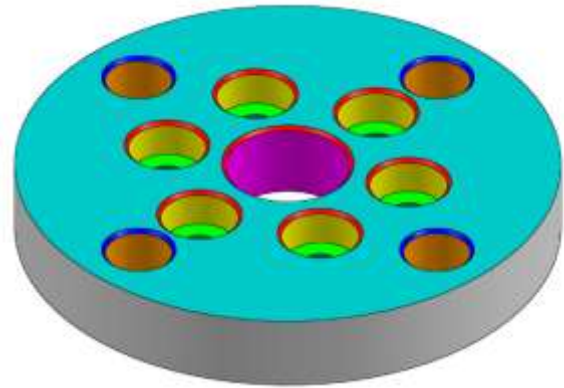


SECTION A-A

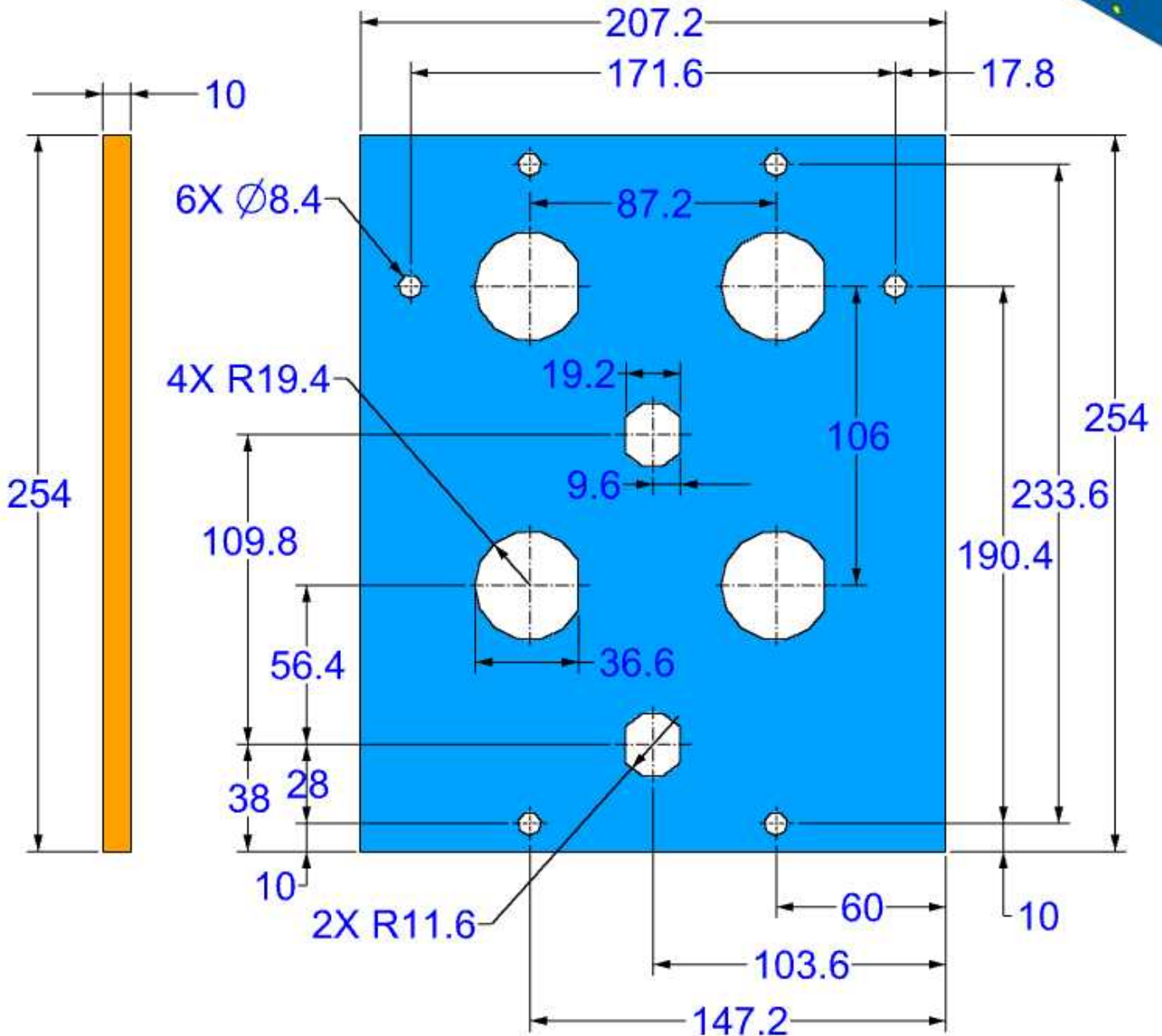
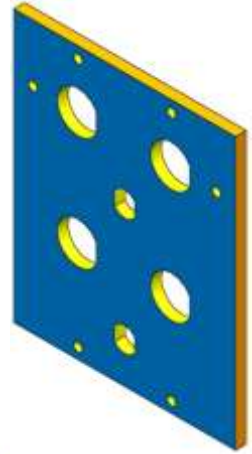
## EXERCISE-77



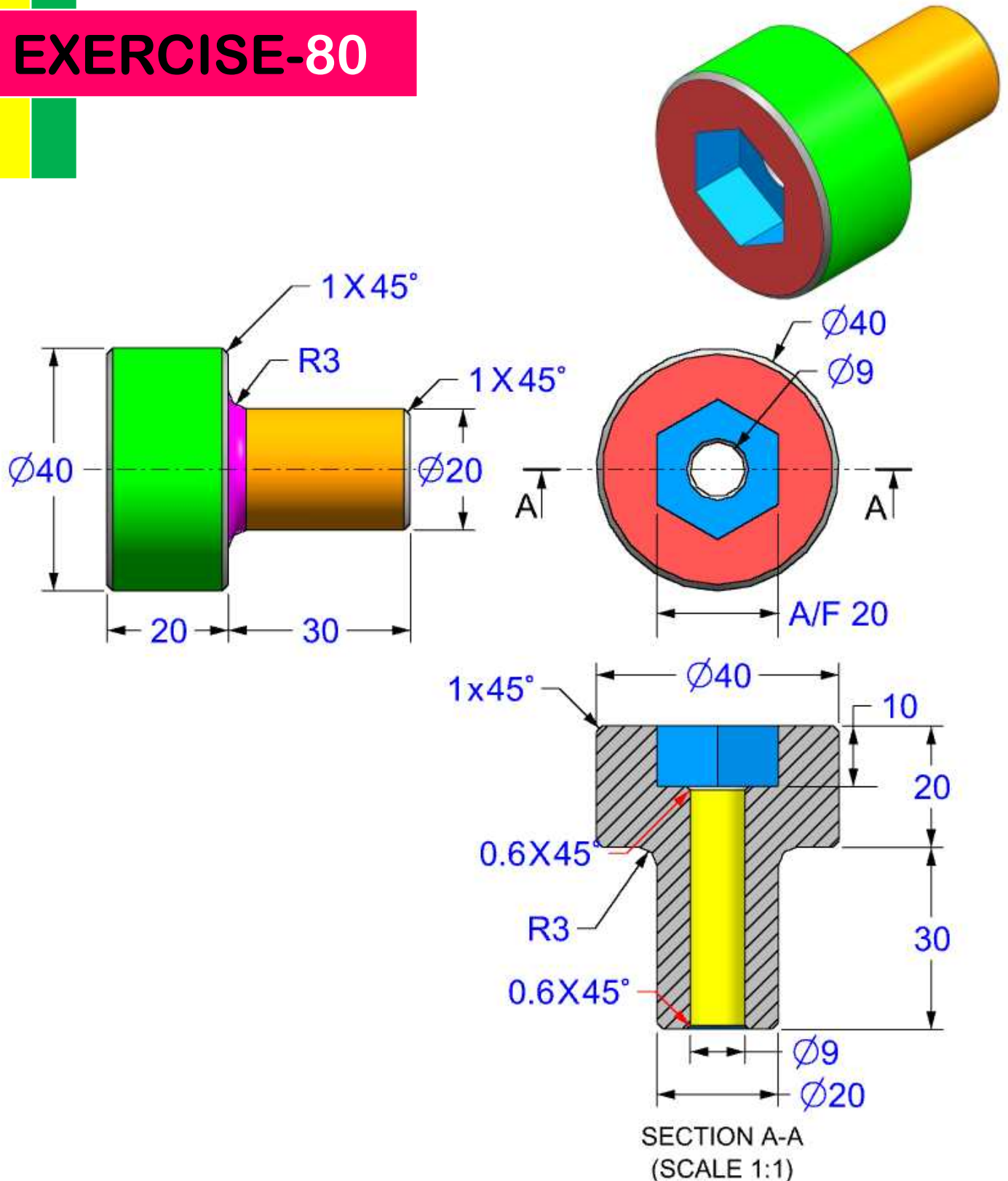
## EXERCISE-78



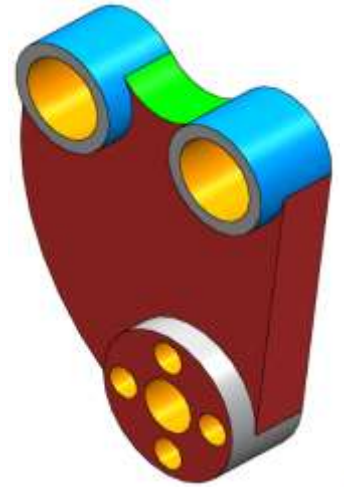
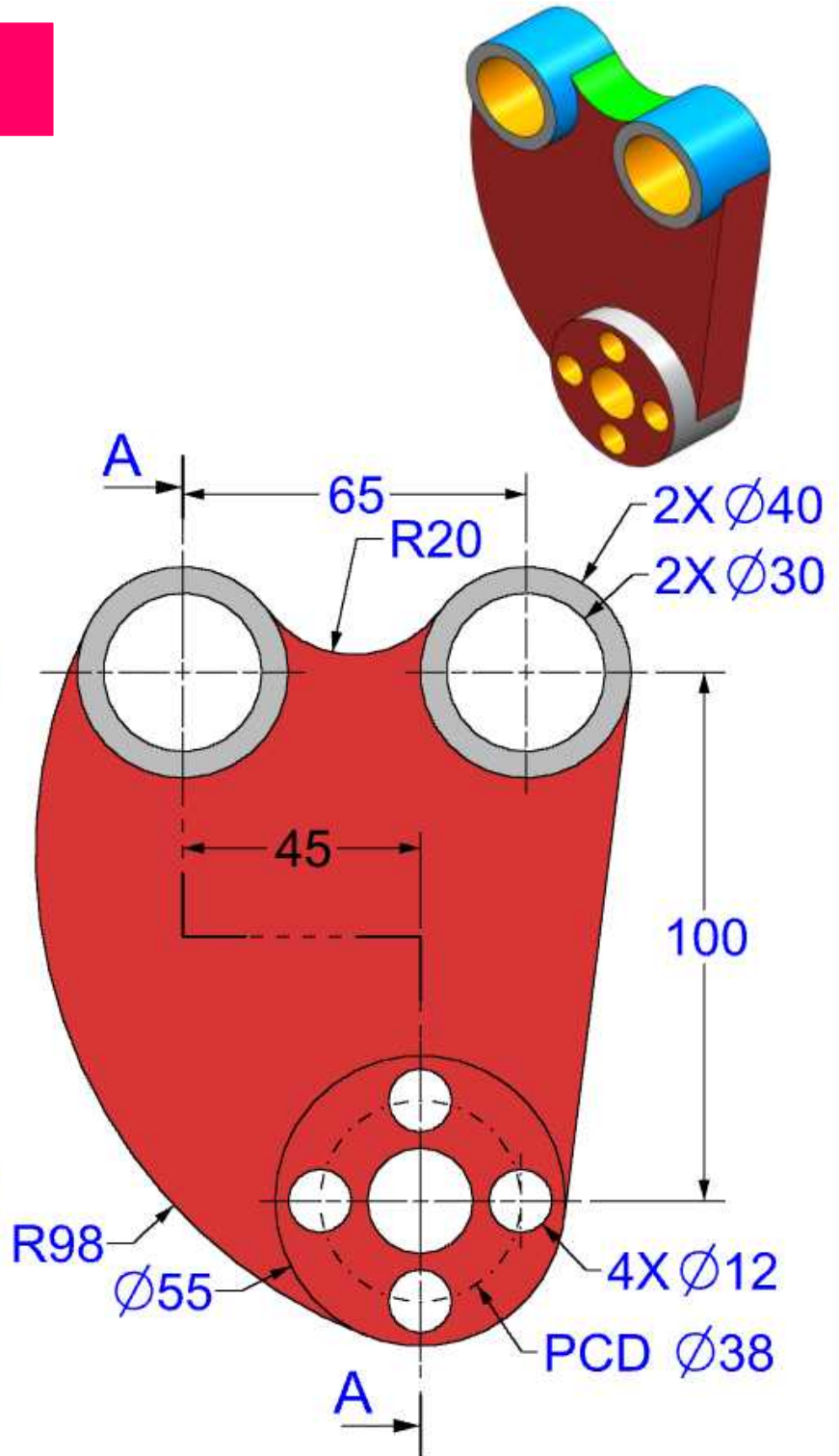
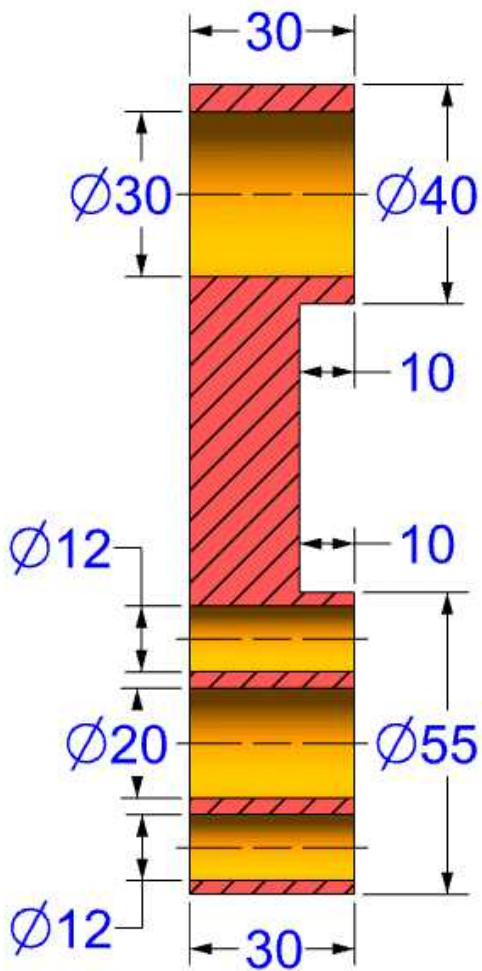
## EXERCISE-79



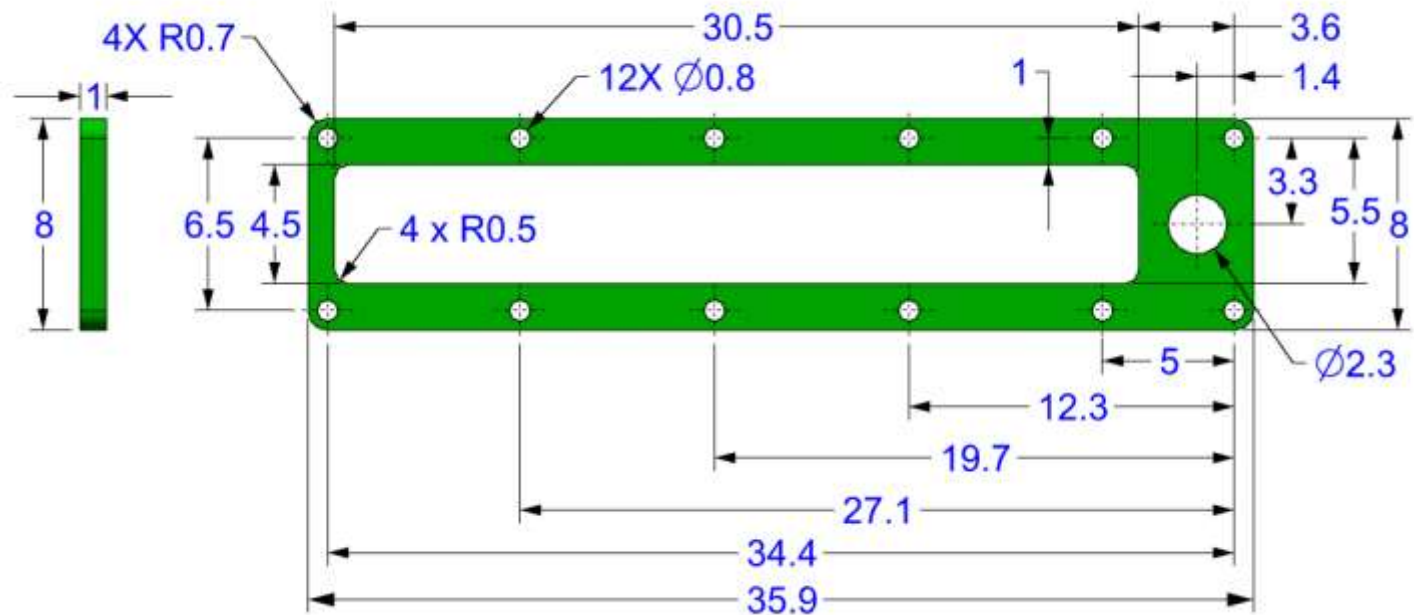
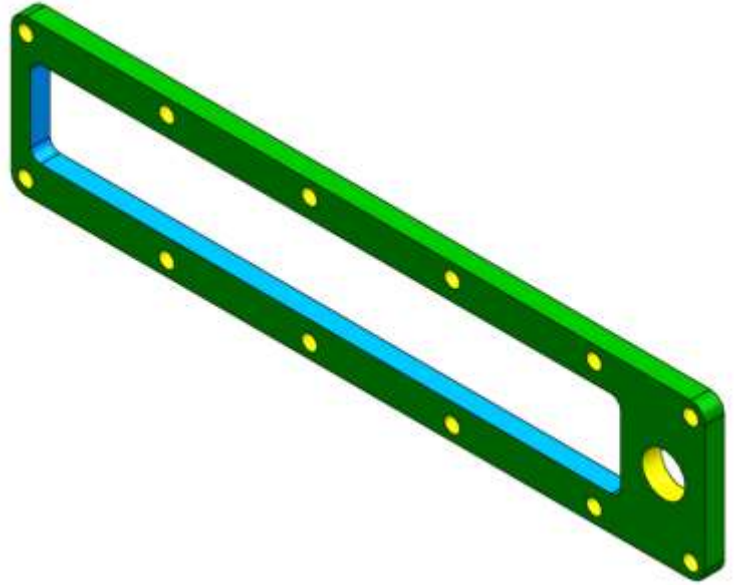
## EXERCISE-80



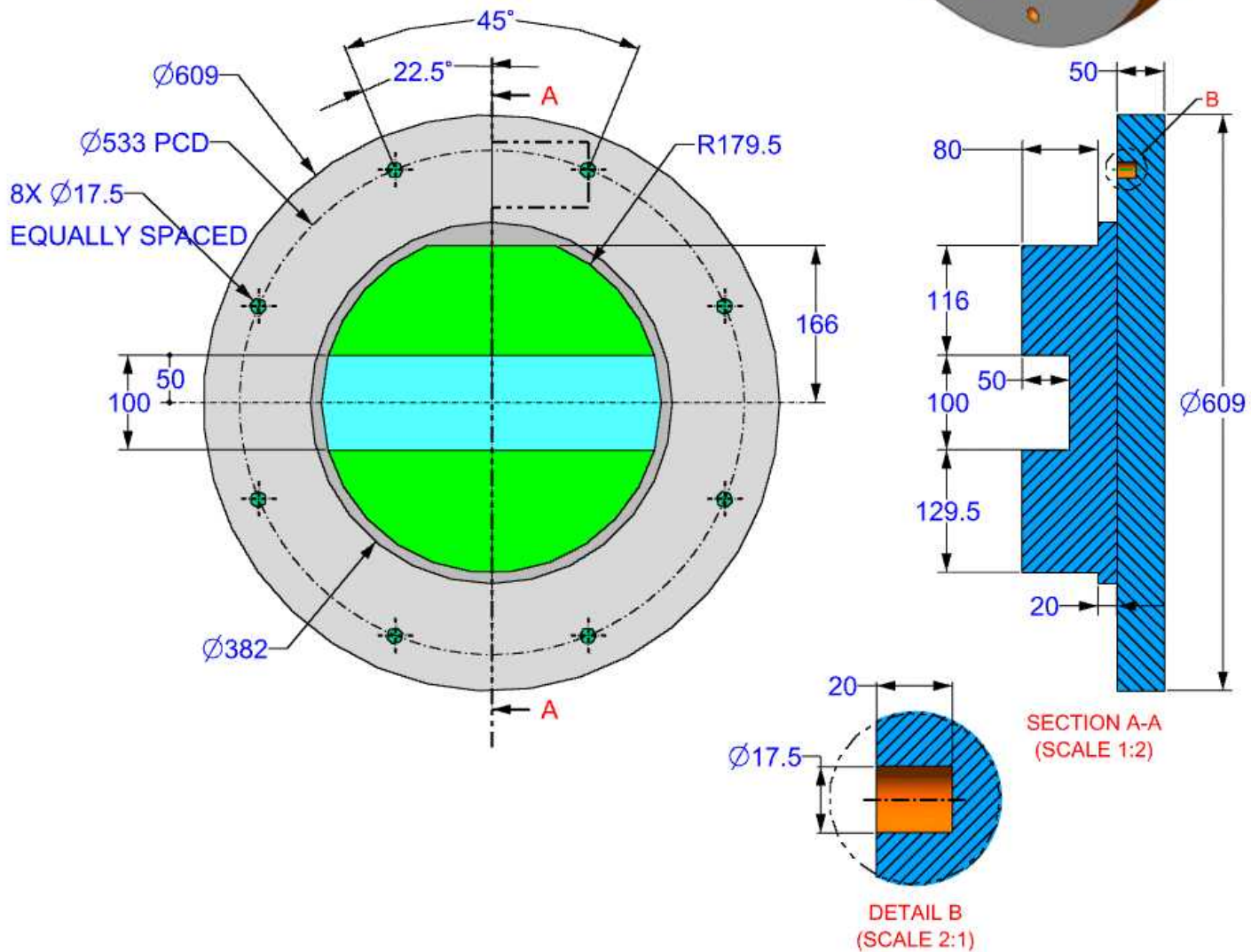
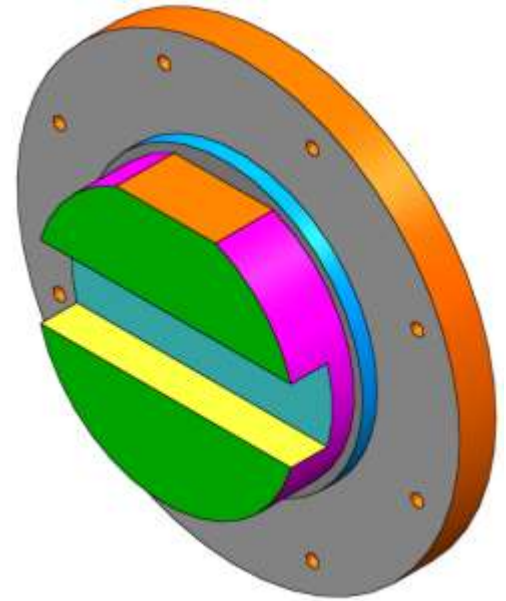
## EXERCISE-81



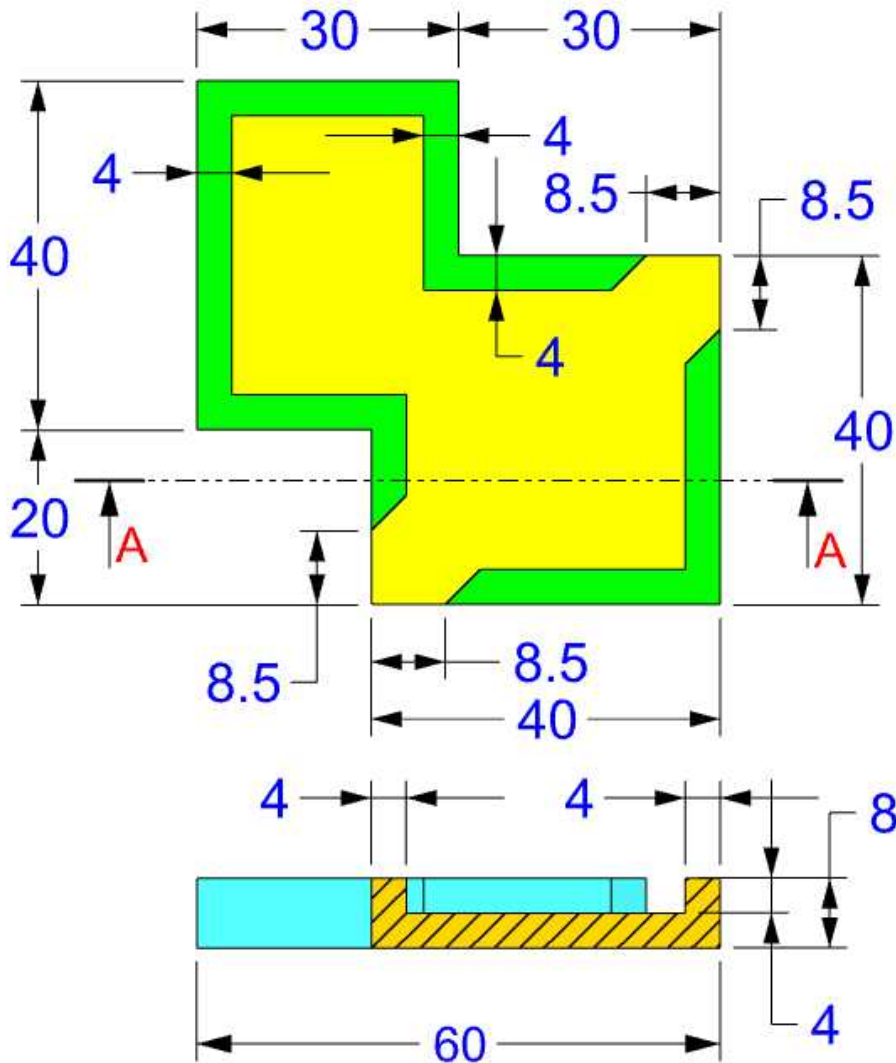
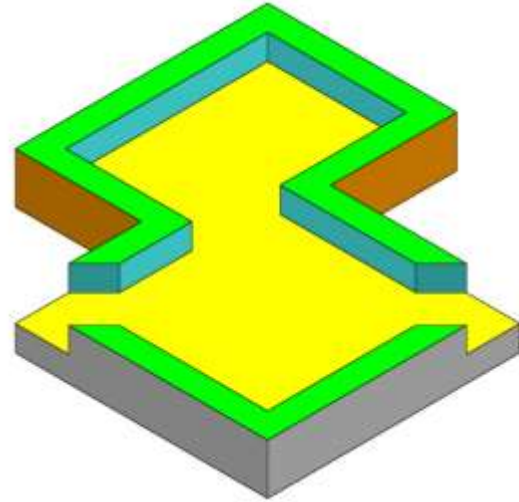
## EXERCISE-82



## EXERCISE-83



## EXERCISE-84

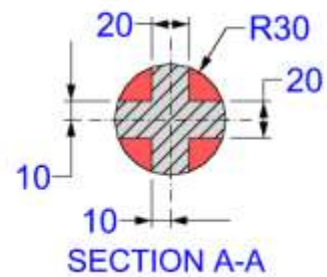
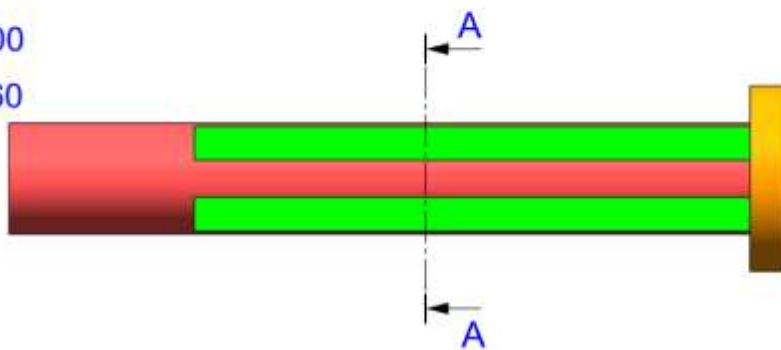
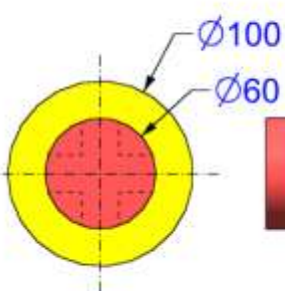
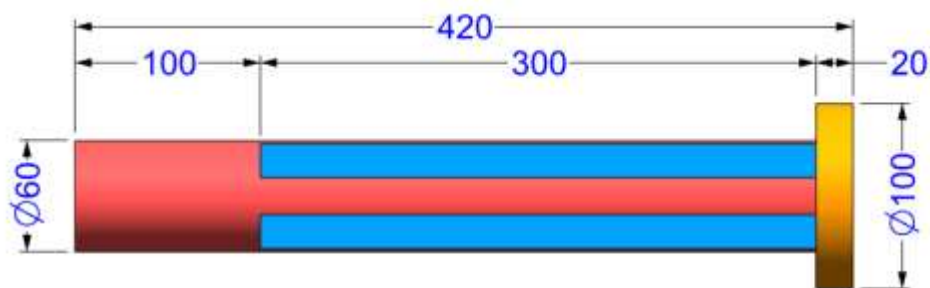
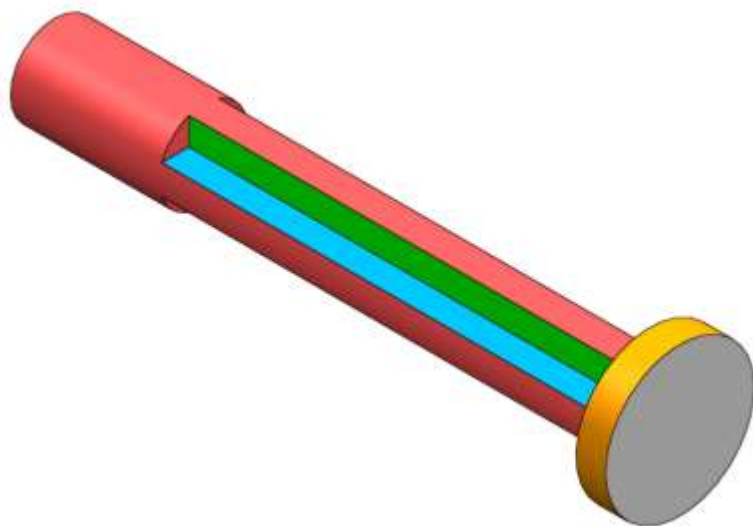


SECTION A-A  
(SCALE 1:1)

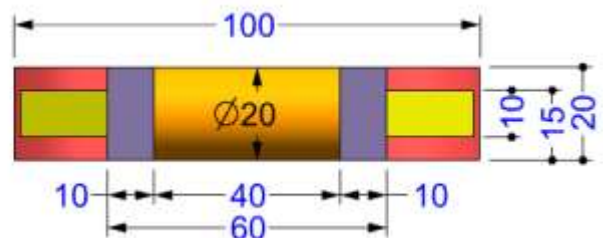
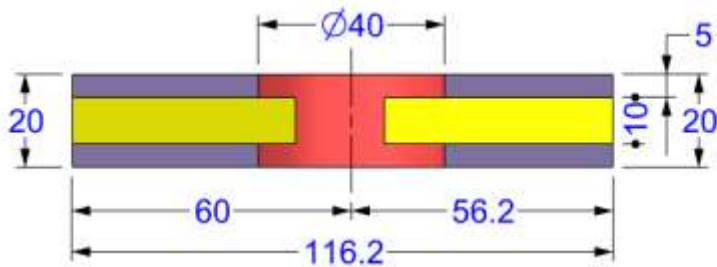
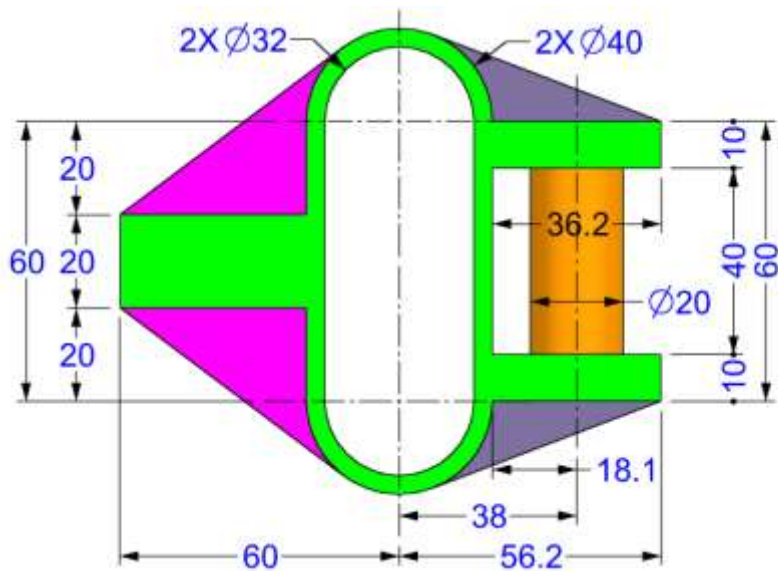
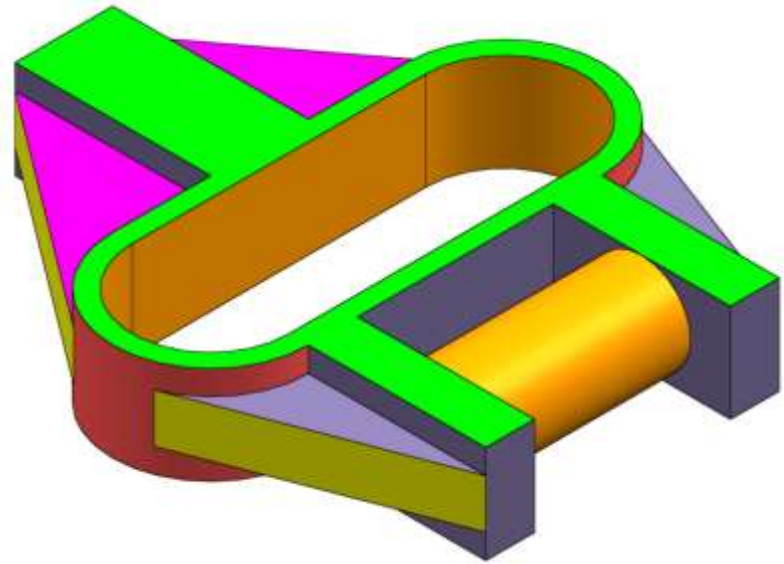




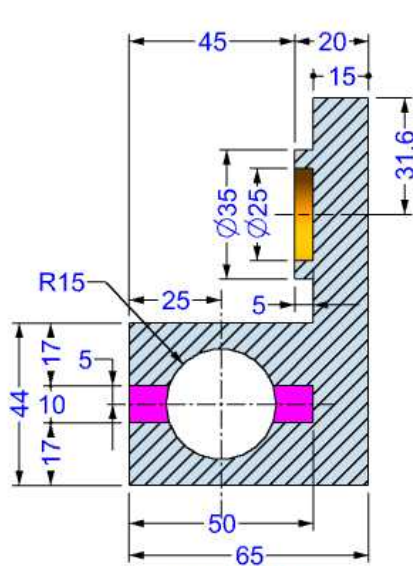
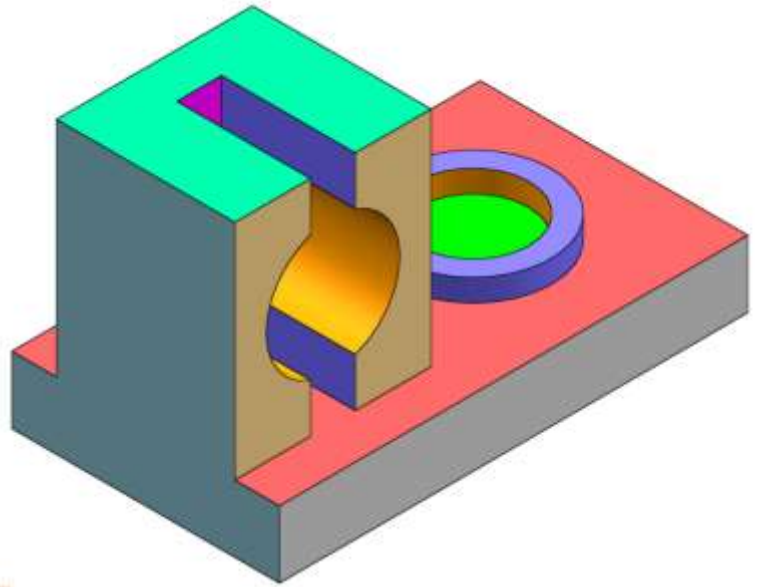
## EXERCISE-87



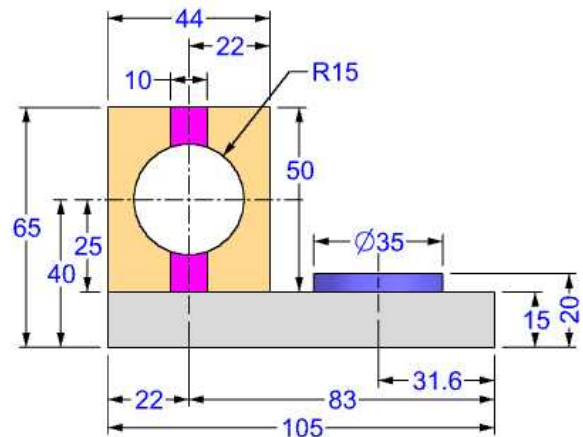
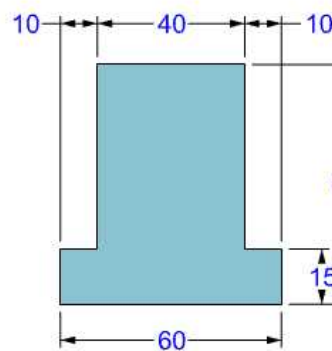
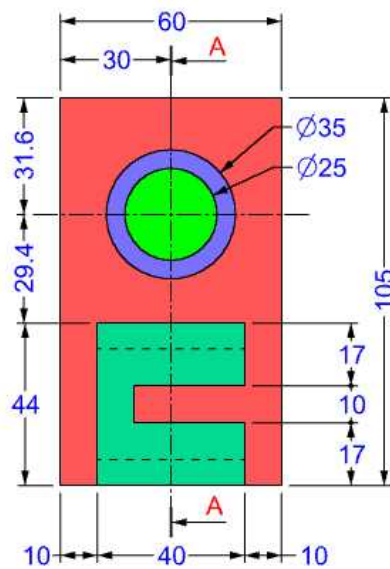
## EXERCISE-88



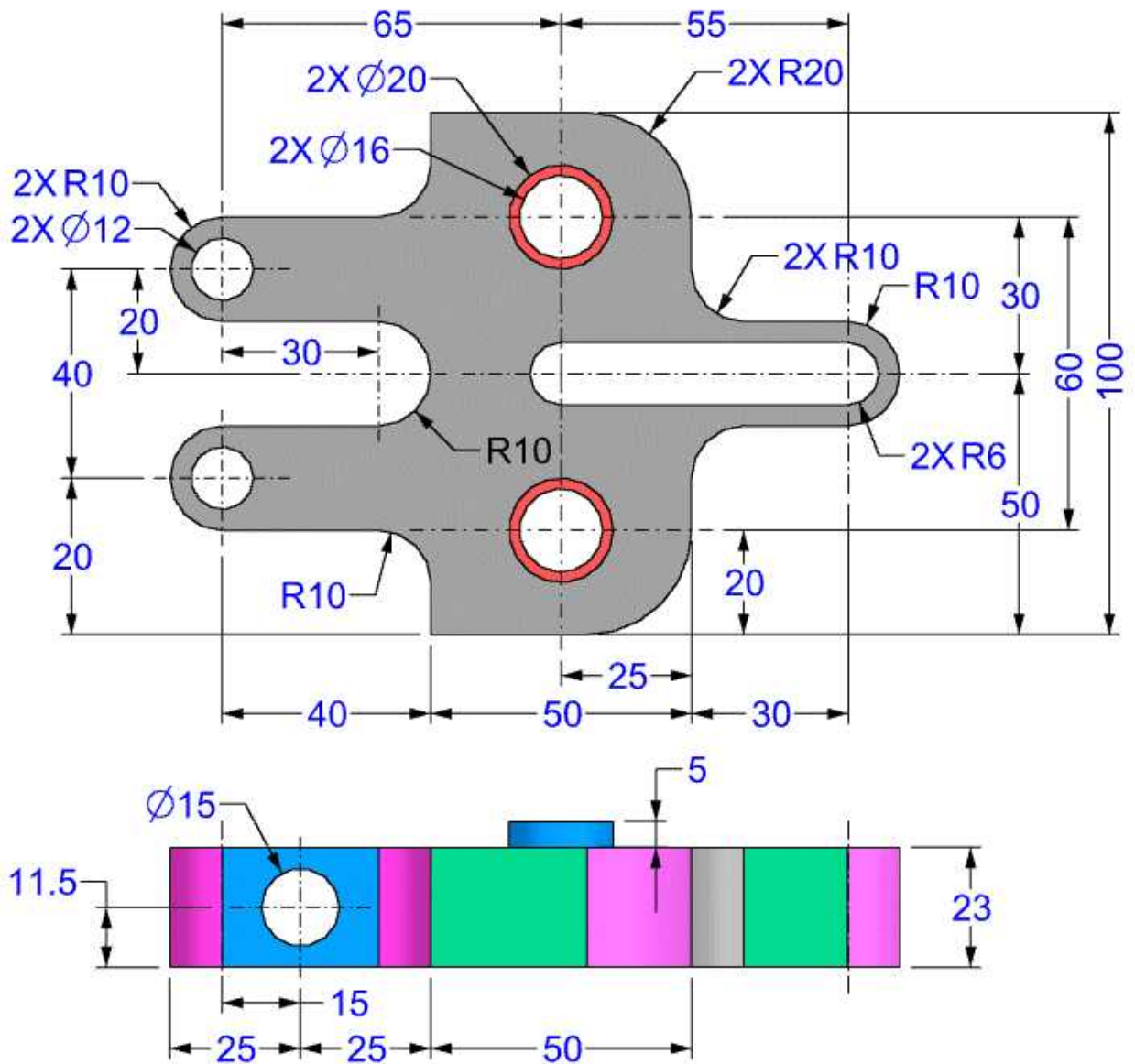
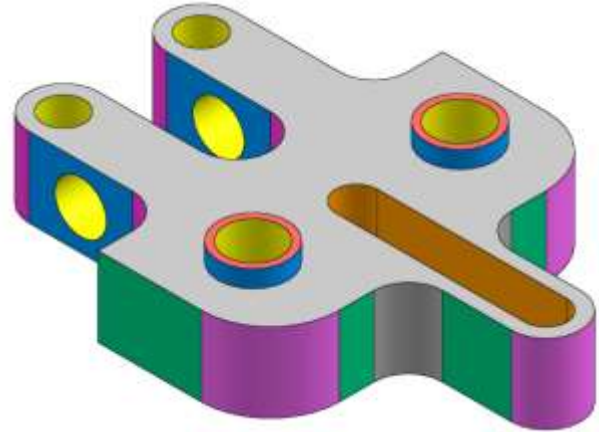
## EXERCISE-89



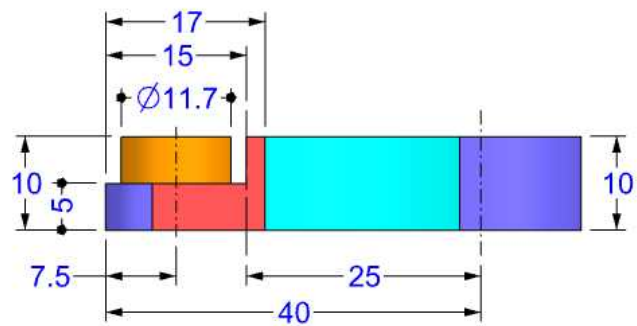
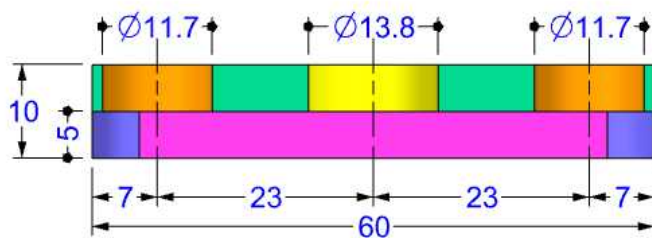
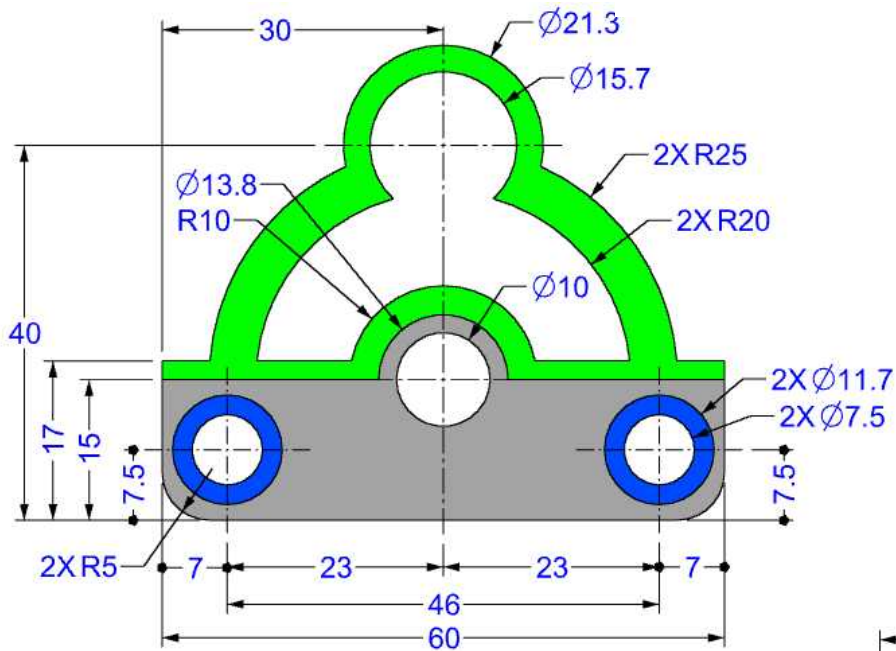
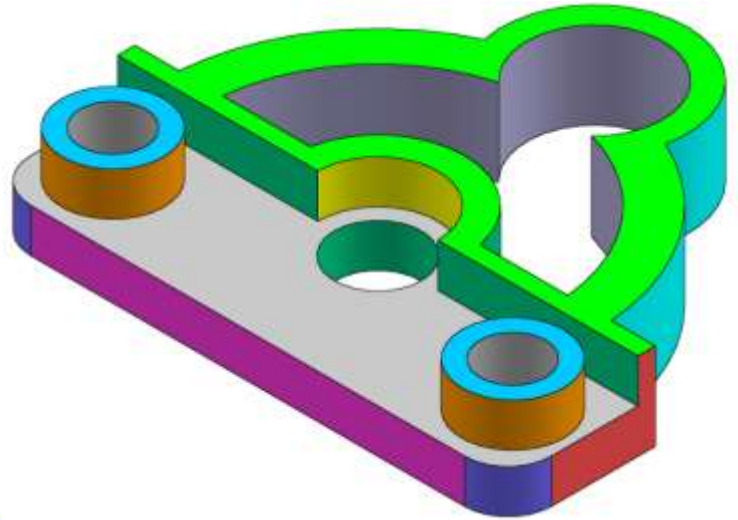
SECTION A-A



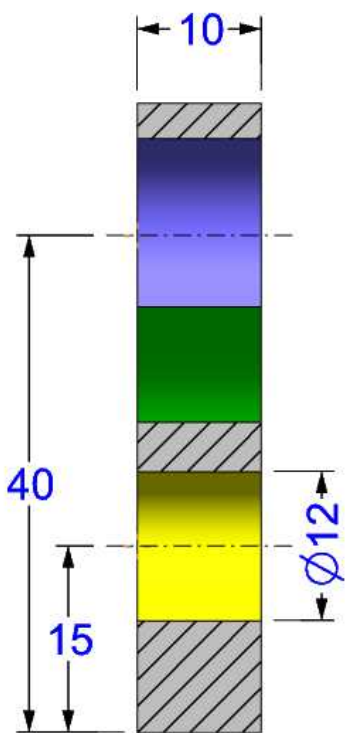
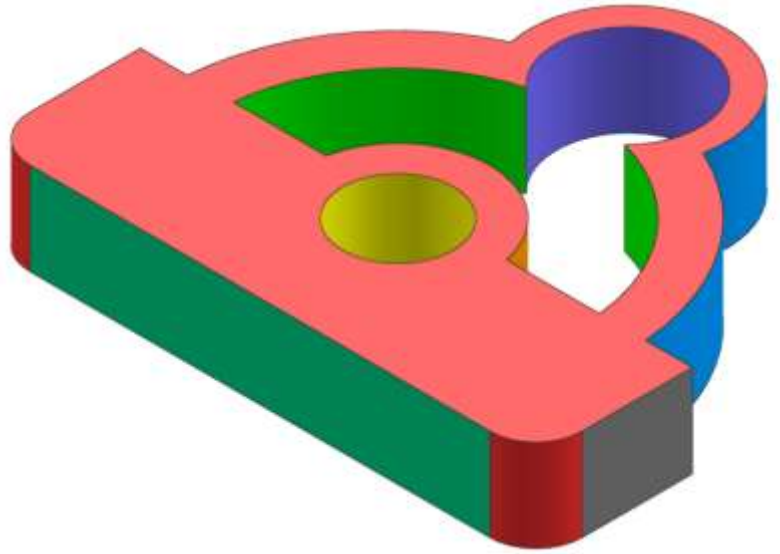
## EXERCISE-90



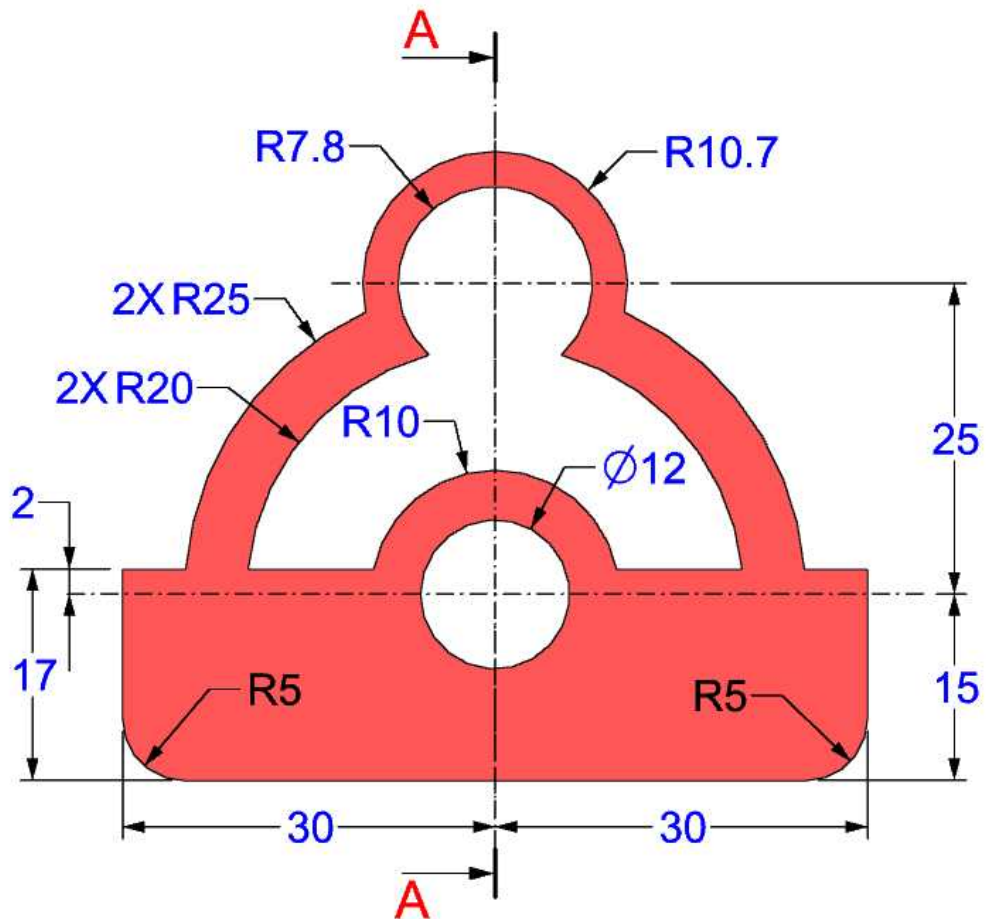
## EXERCISE-91



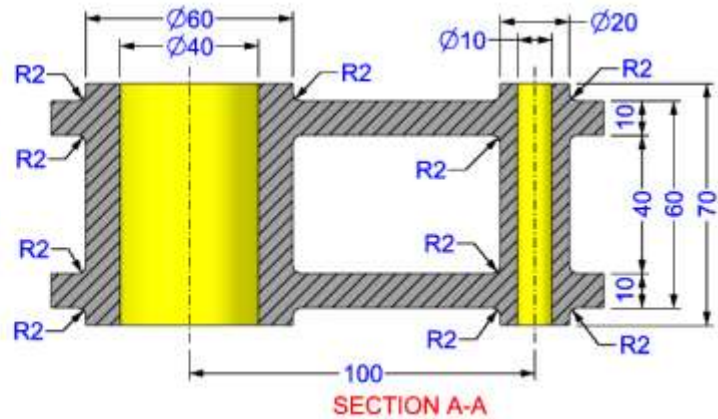
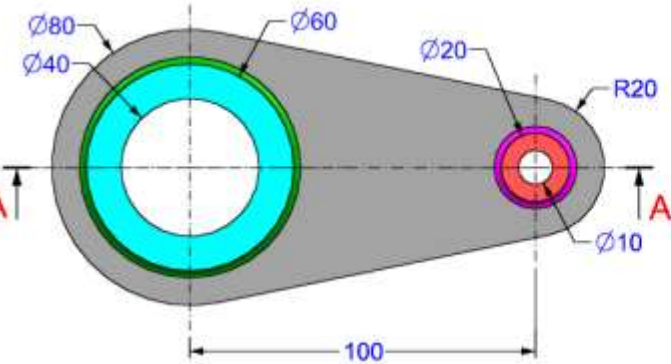
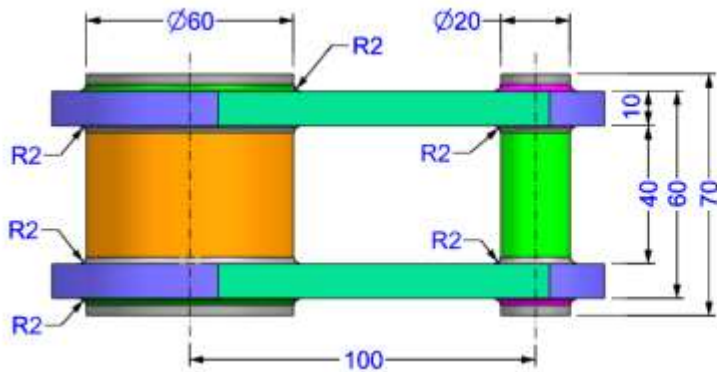
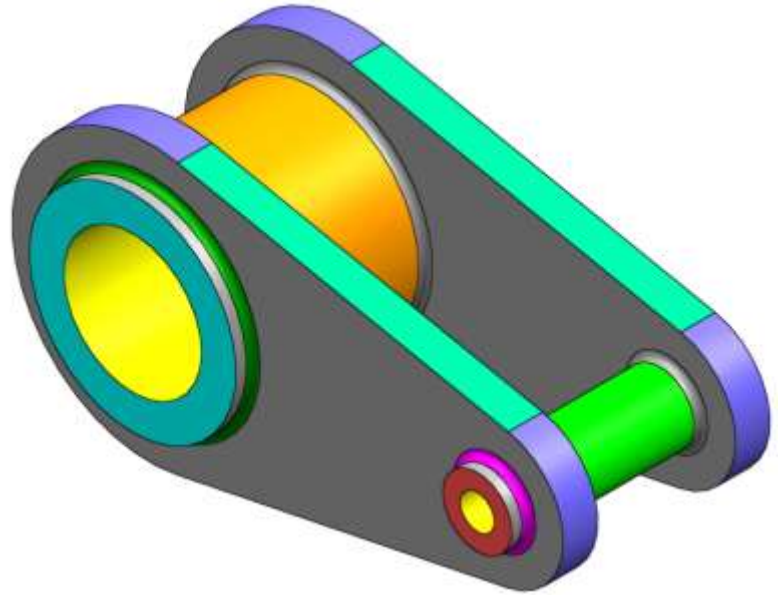
## EXERCISE-92



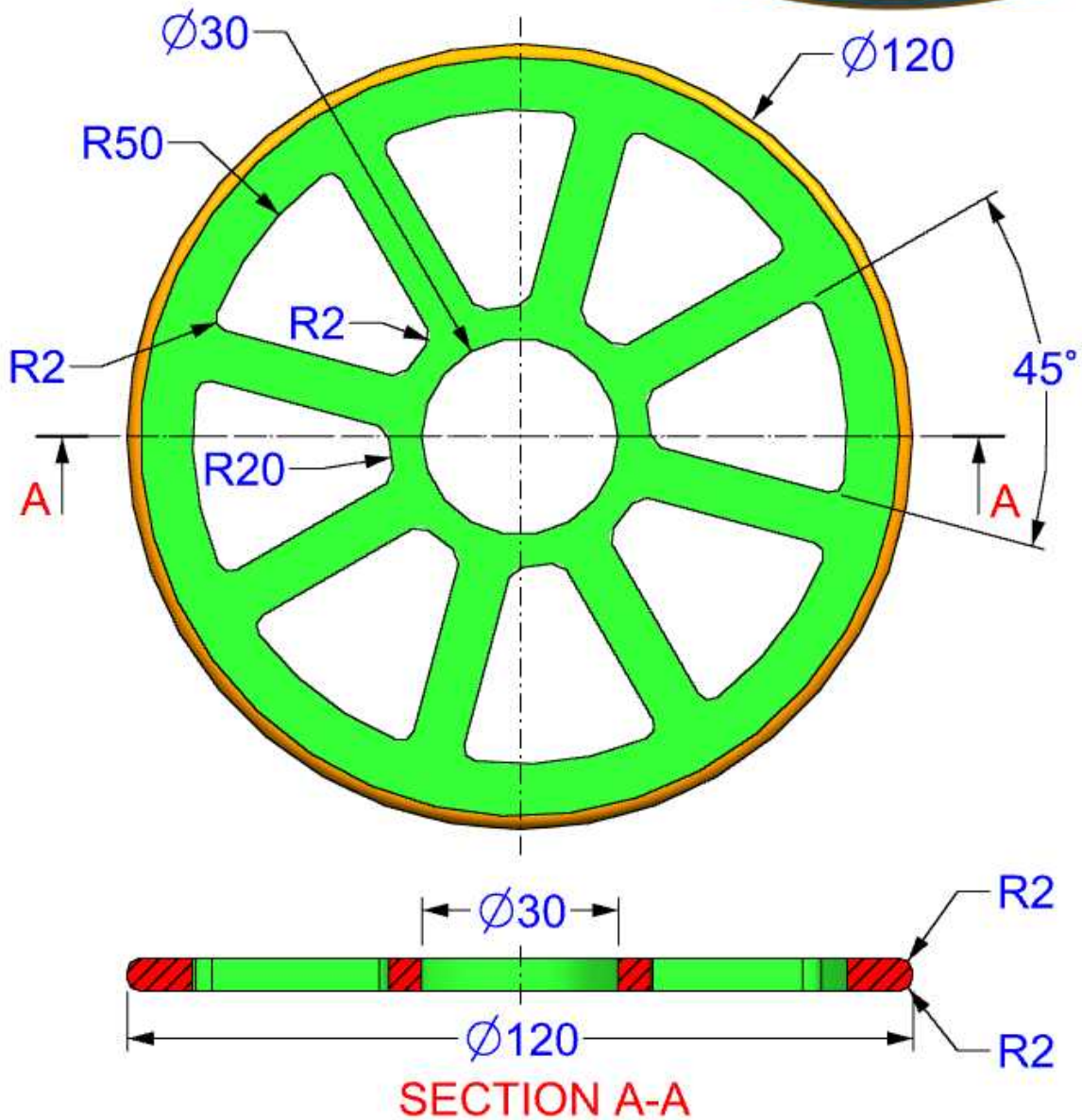
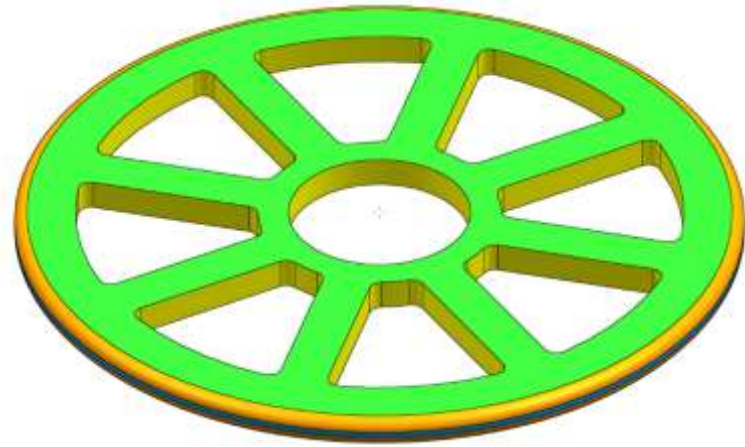
SECTION A-A



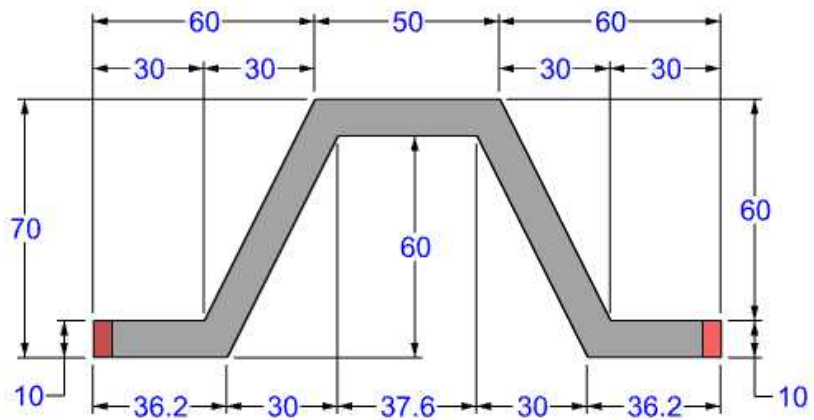
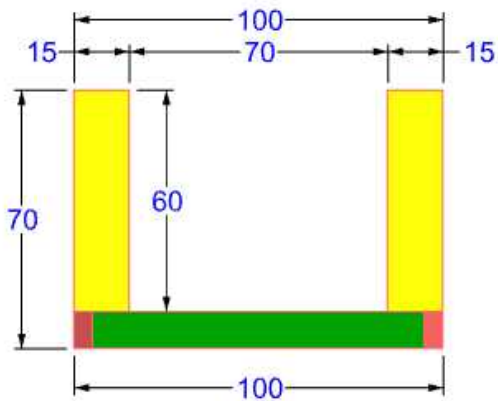
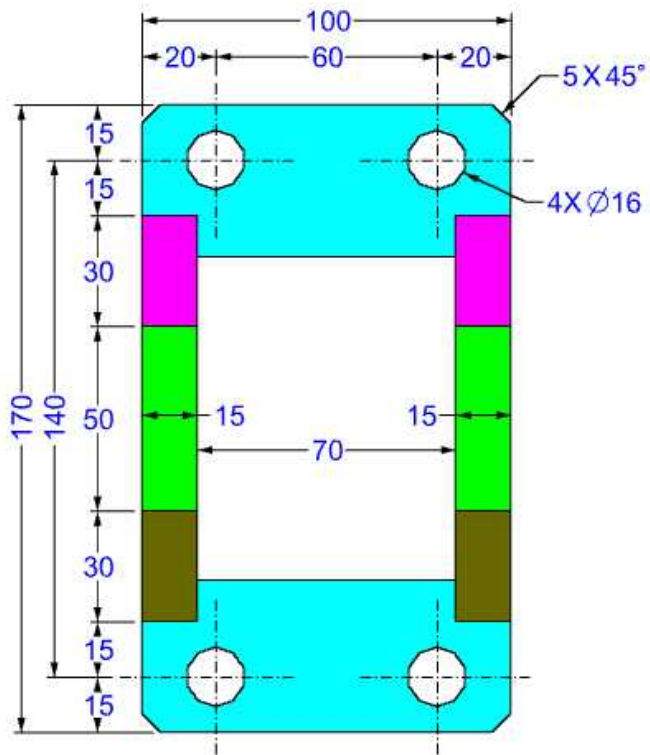
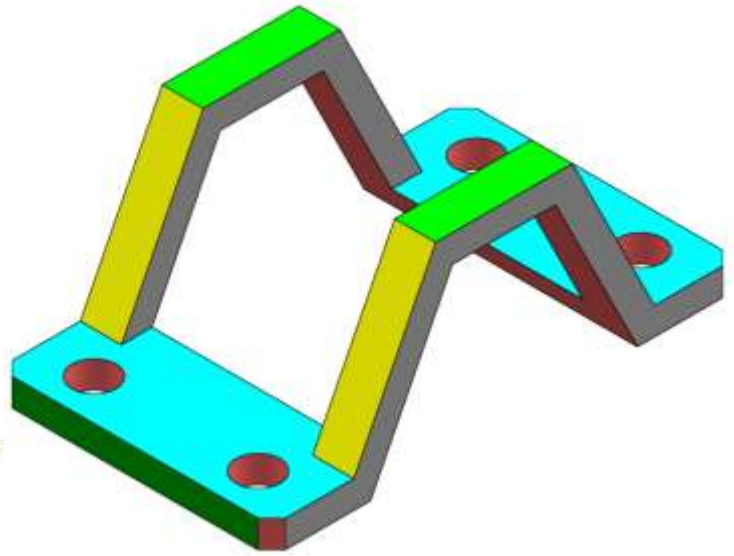
## EXERCISE-93



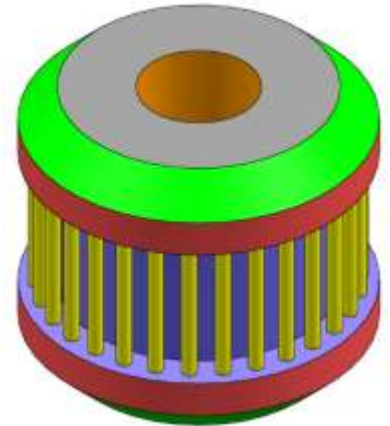
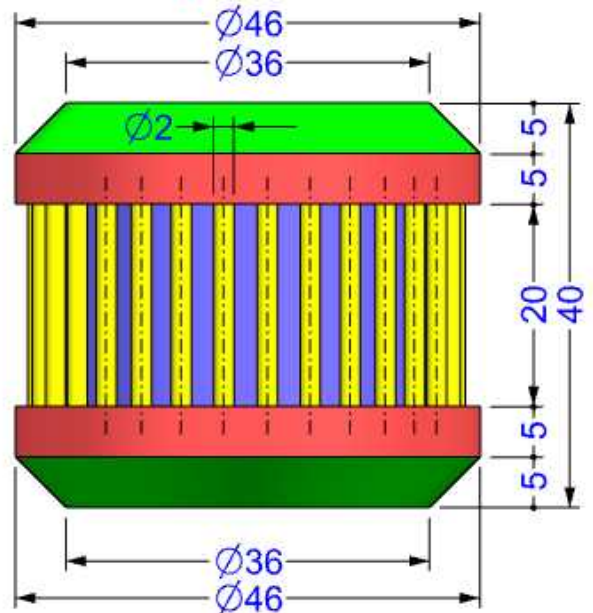
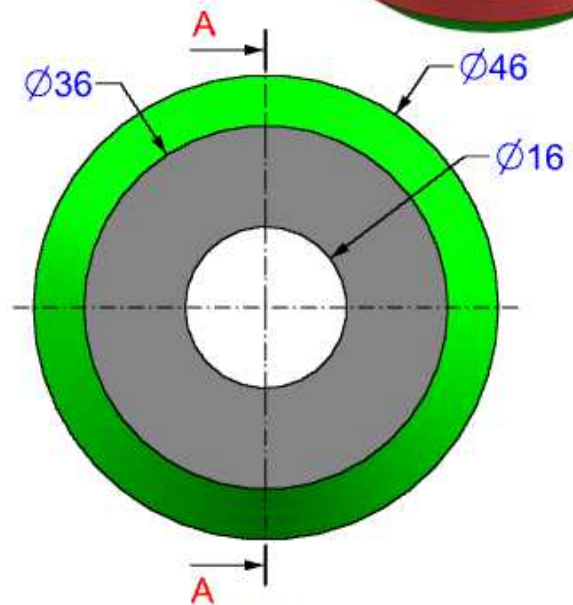
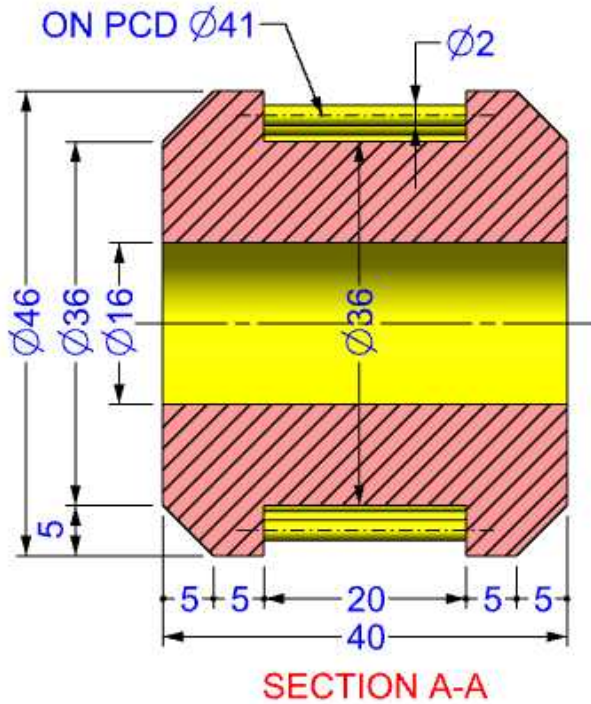
## EXERCISE-94



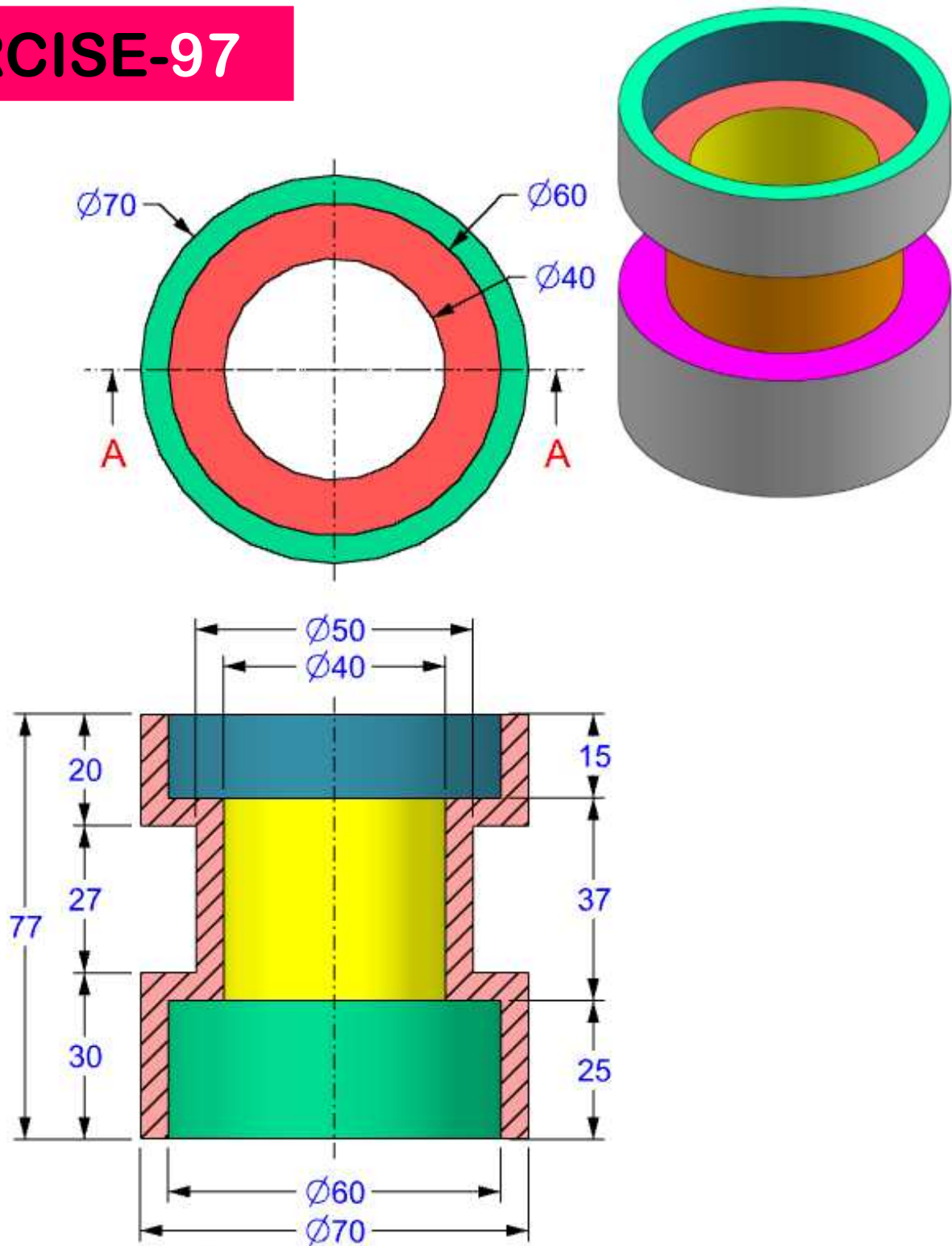
## EXERCISE-95



## EXERCISE-96

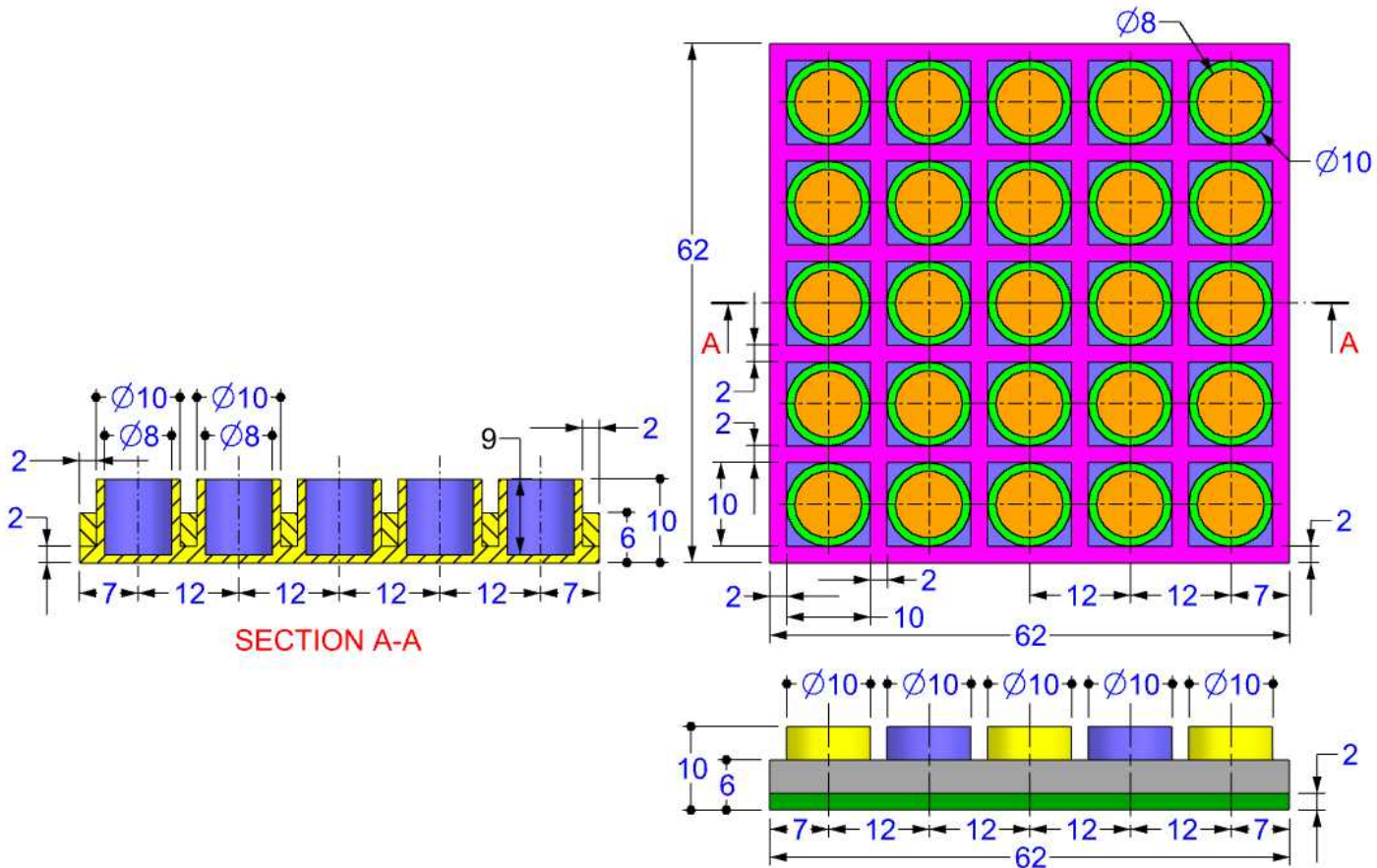
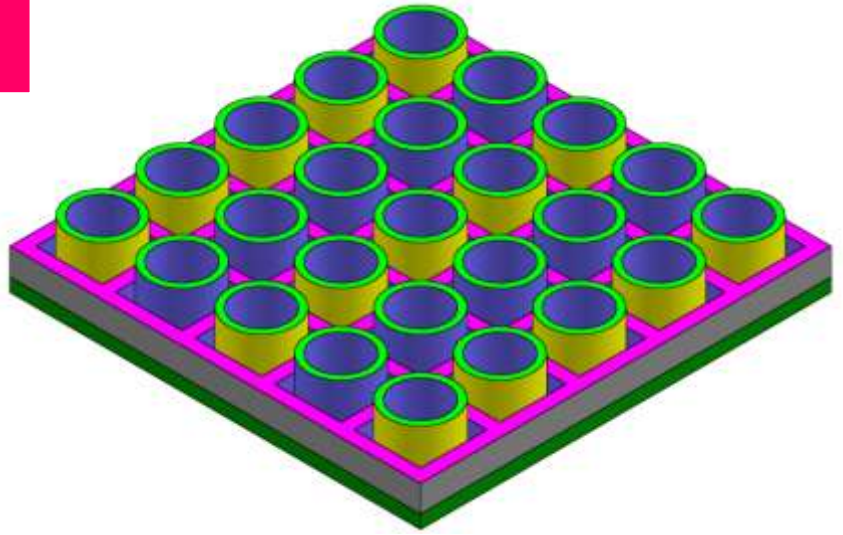


## EXERCISE-97

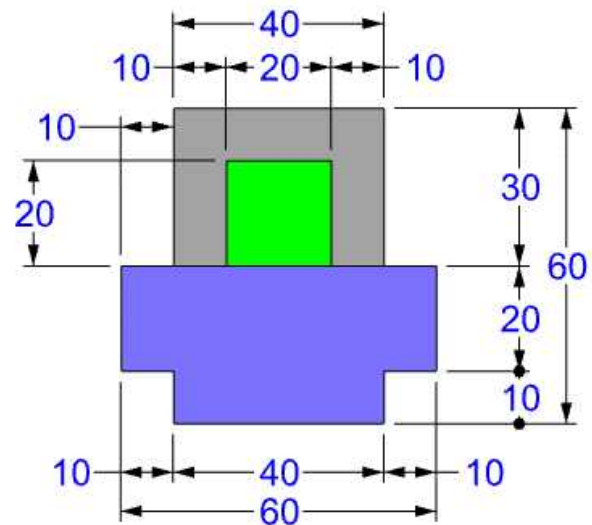
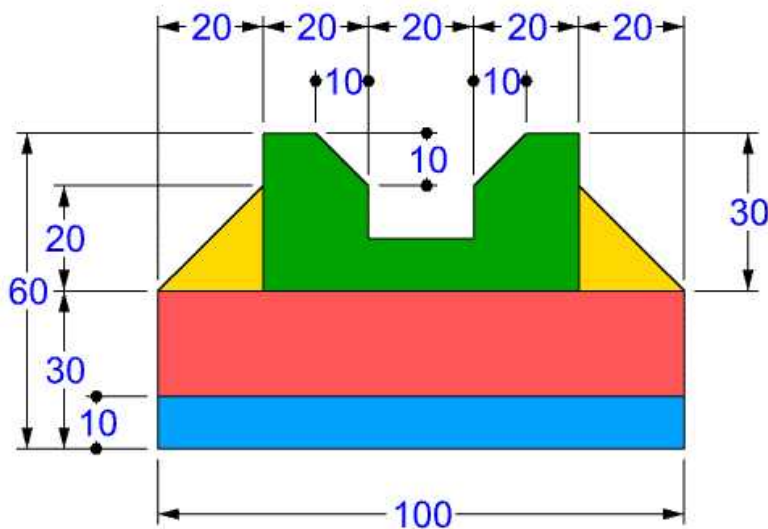
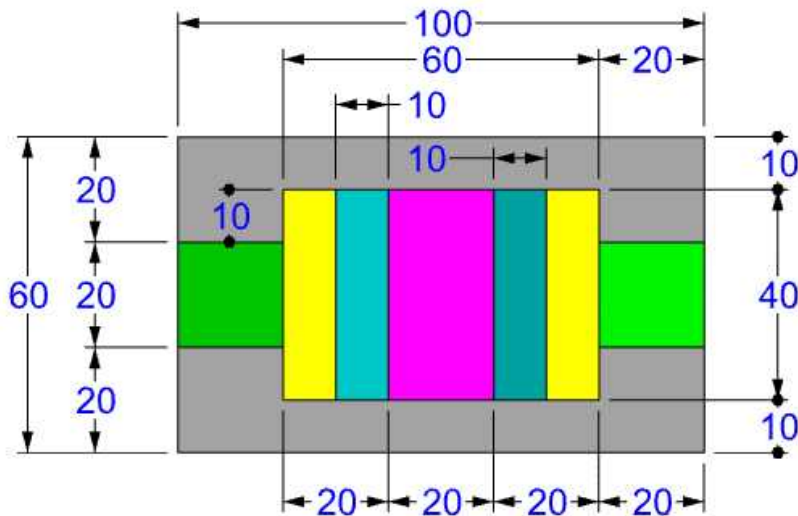
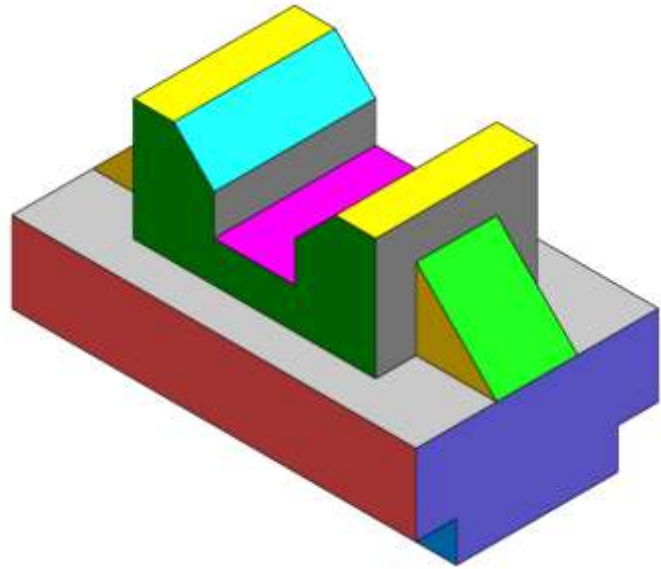


(SCALE 1:1) SECTION A-A

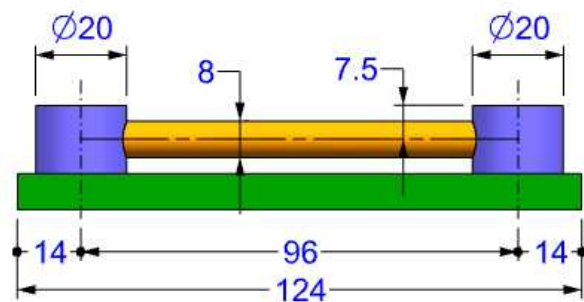
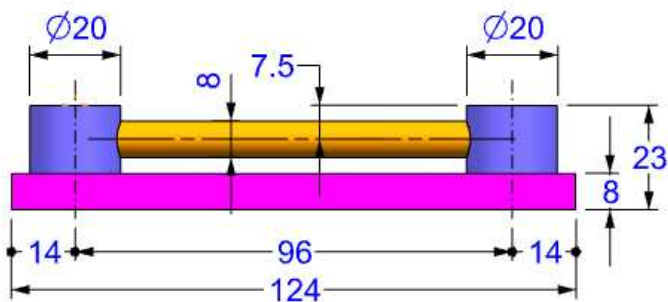
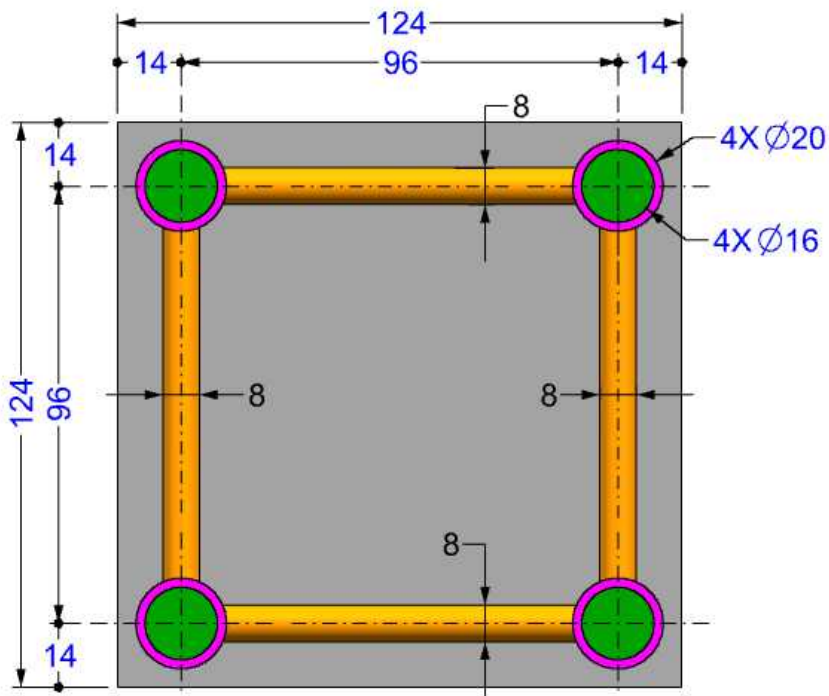
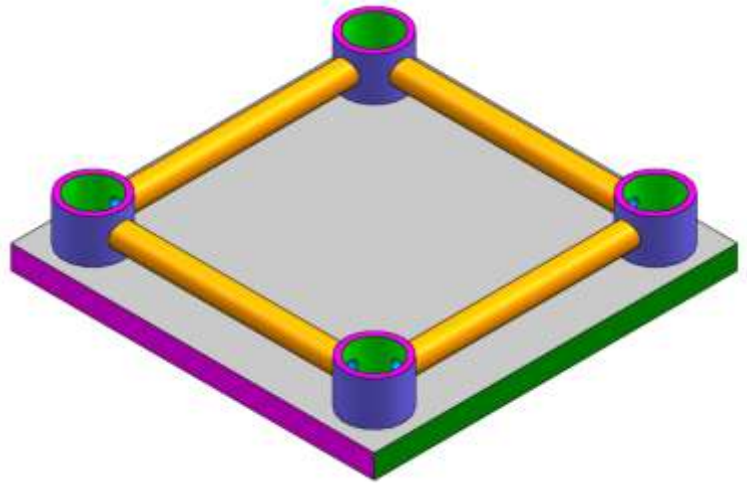
## EXERCISE-98



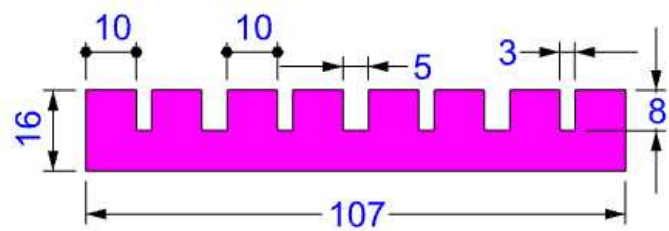
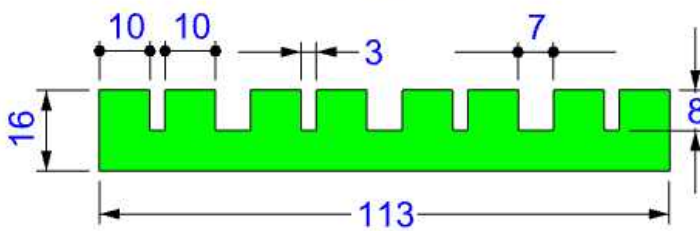
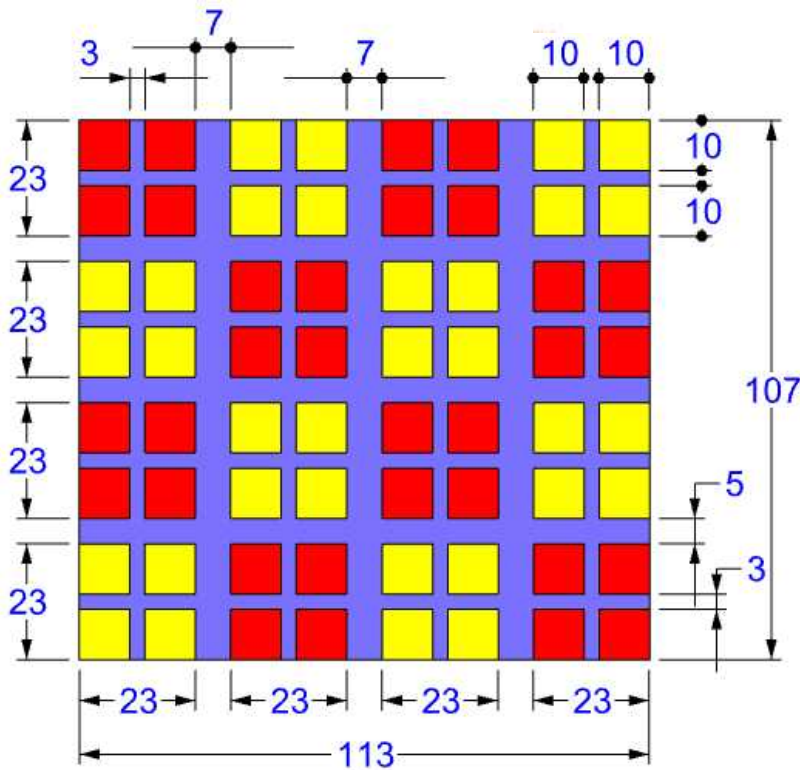
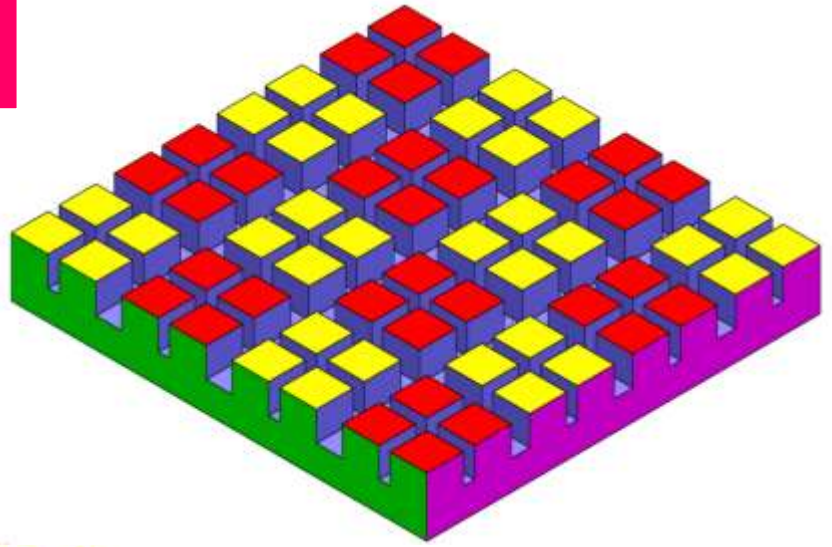
## EXERCISE-99



## EXERCISE-100

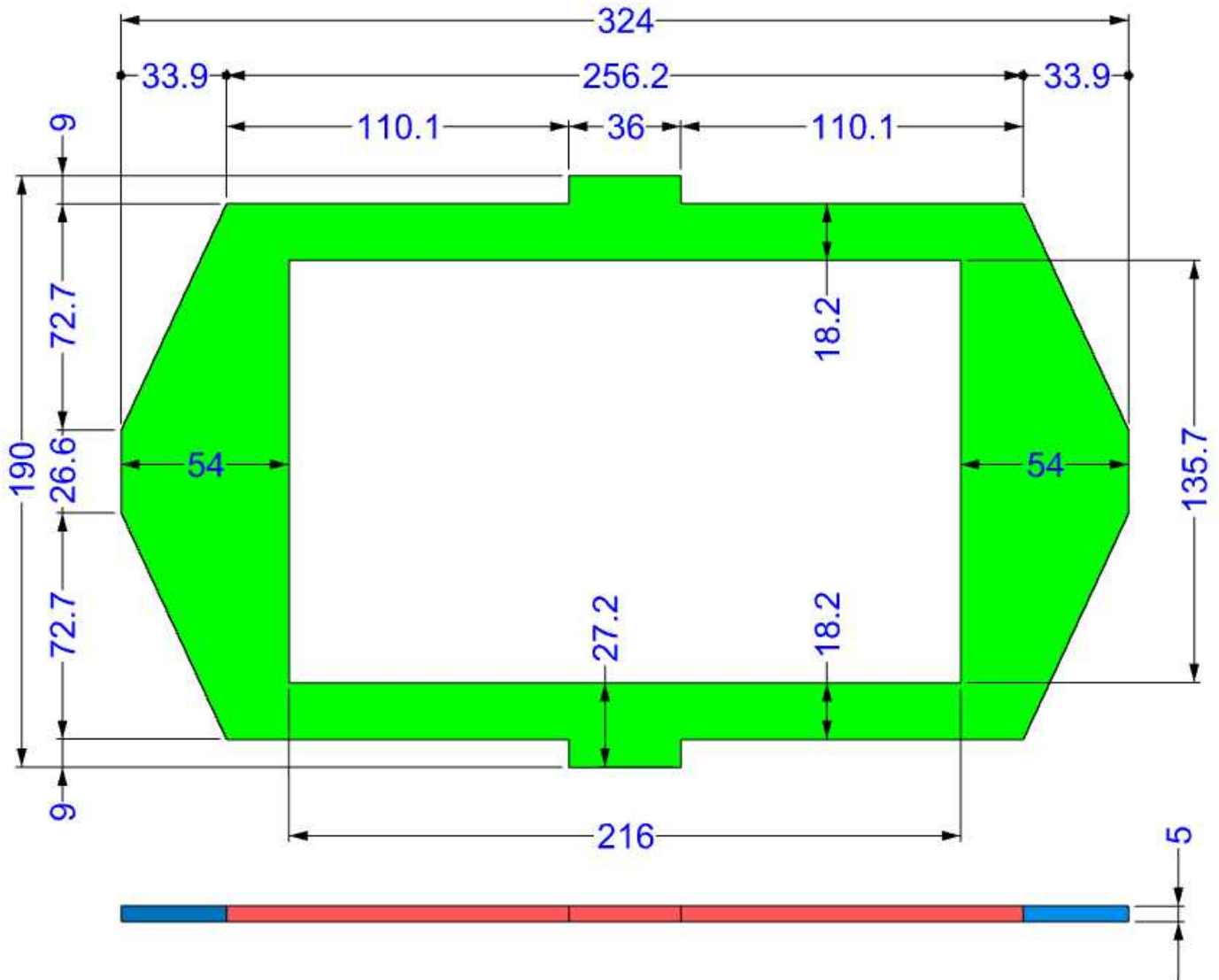
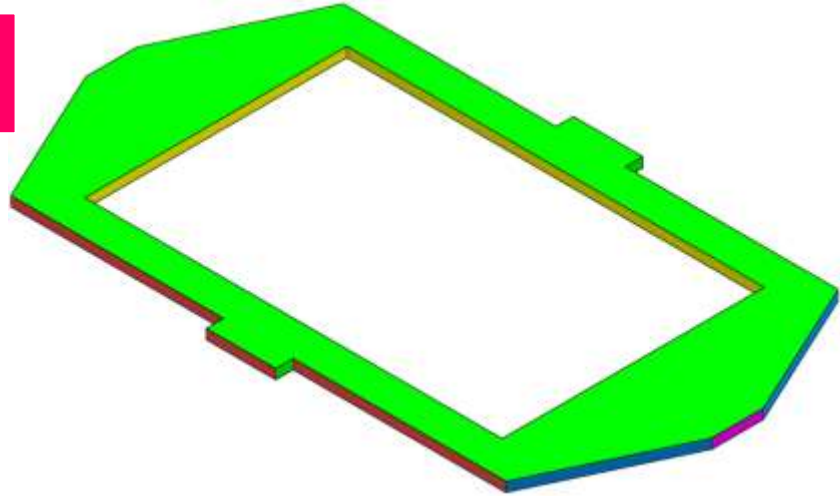


## EXERCISE-101

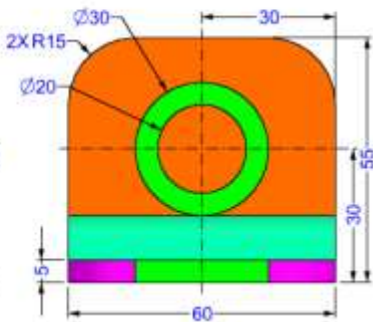
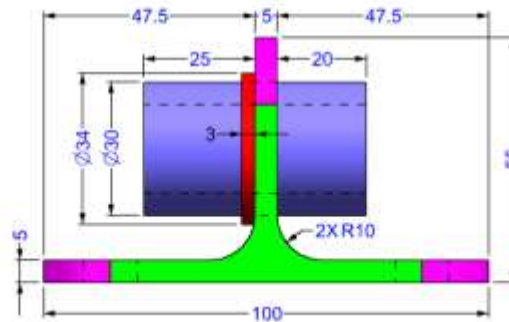
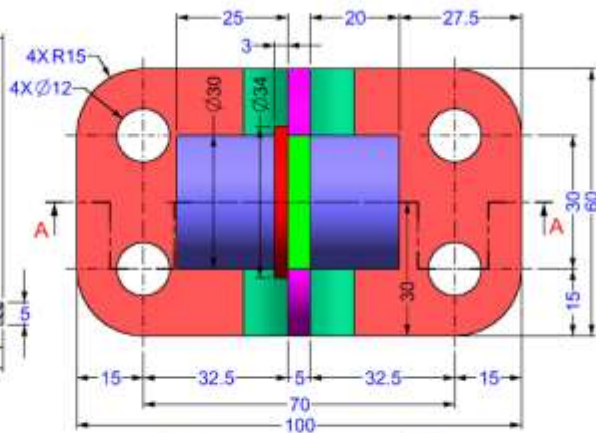
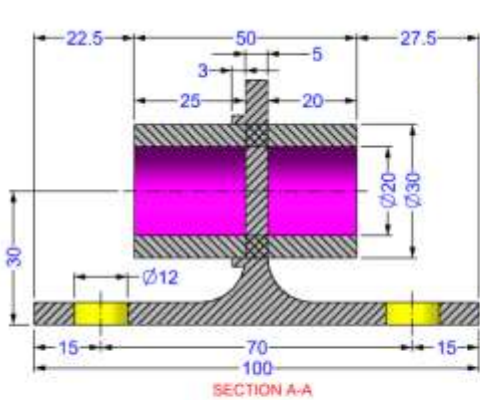
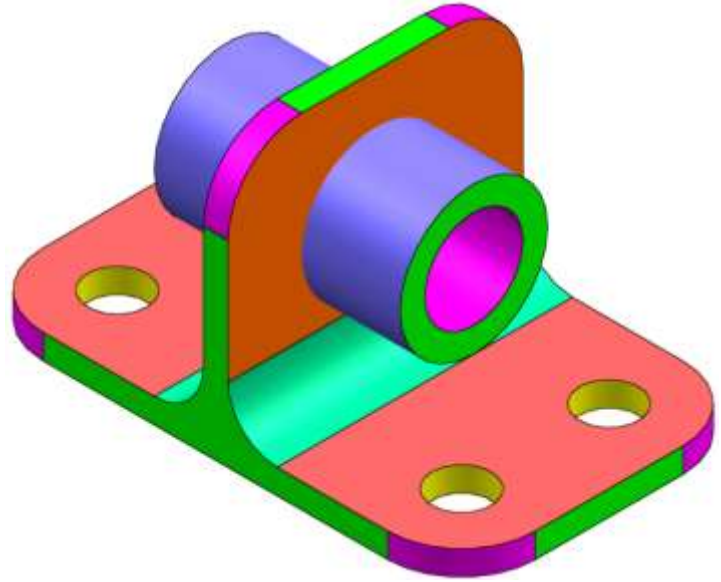




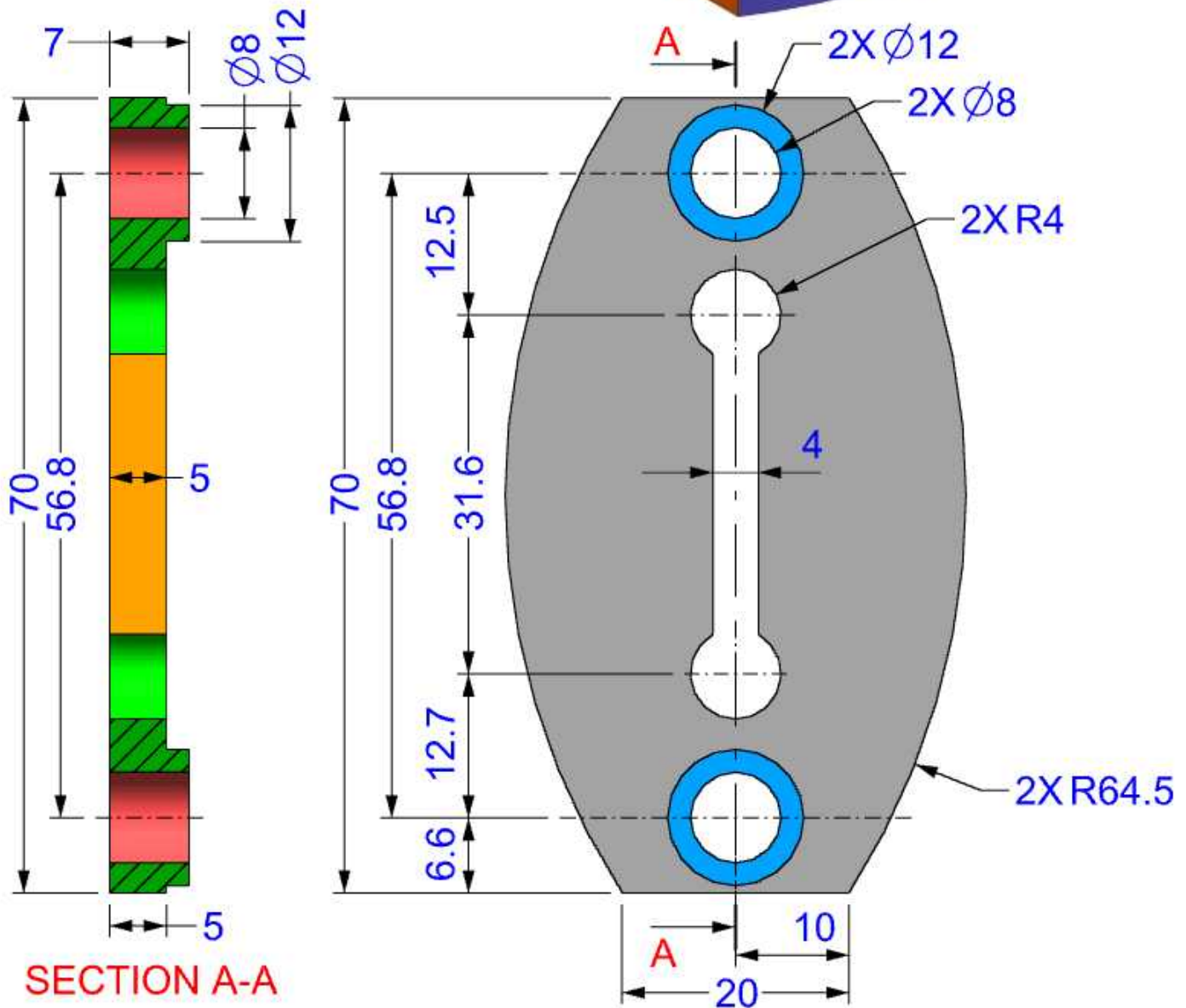
## EXERCISE-103



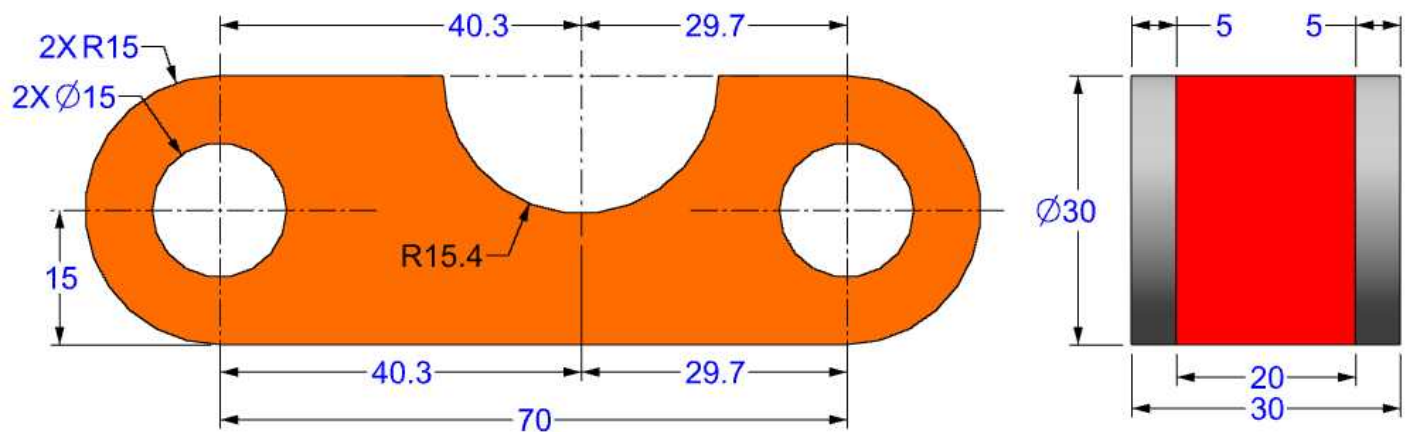
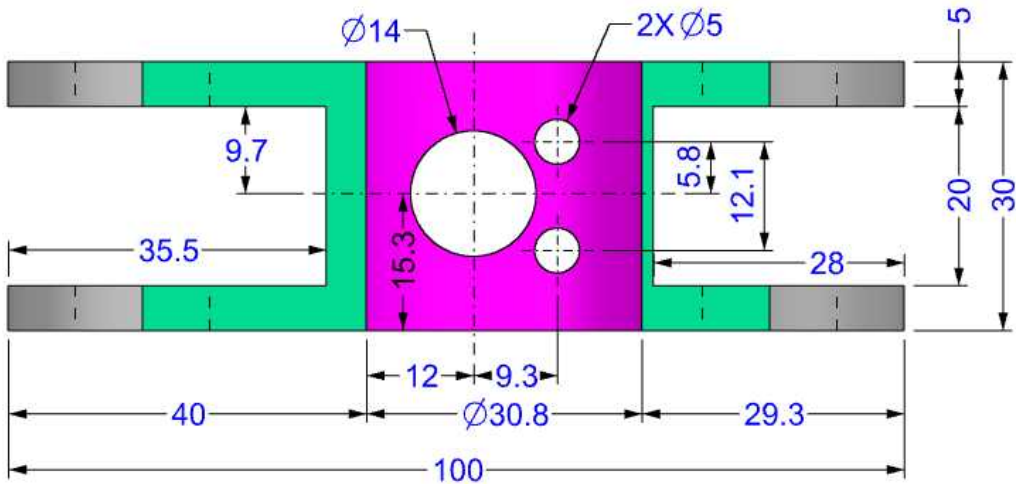
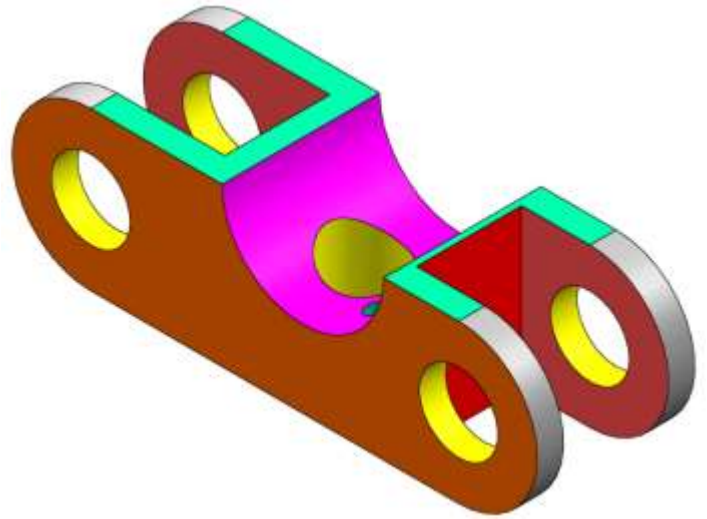
## EXERCISE-104



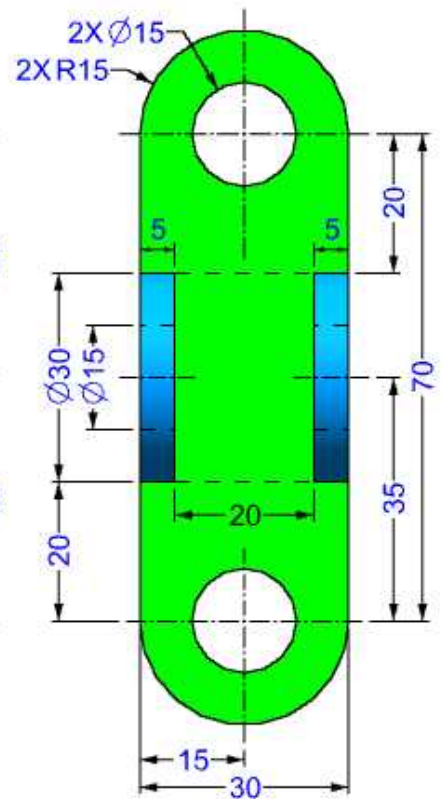
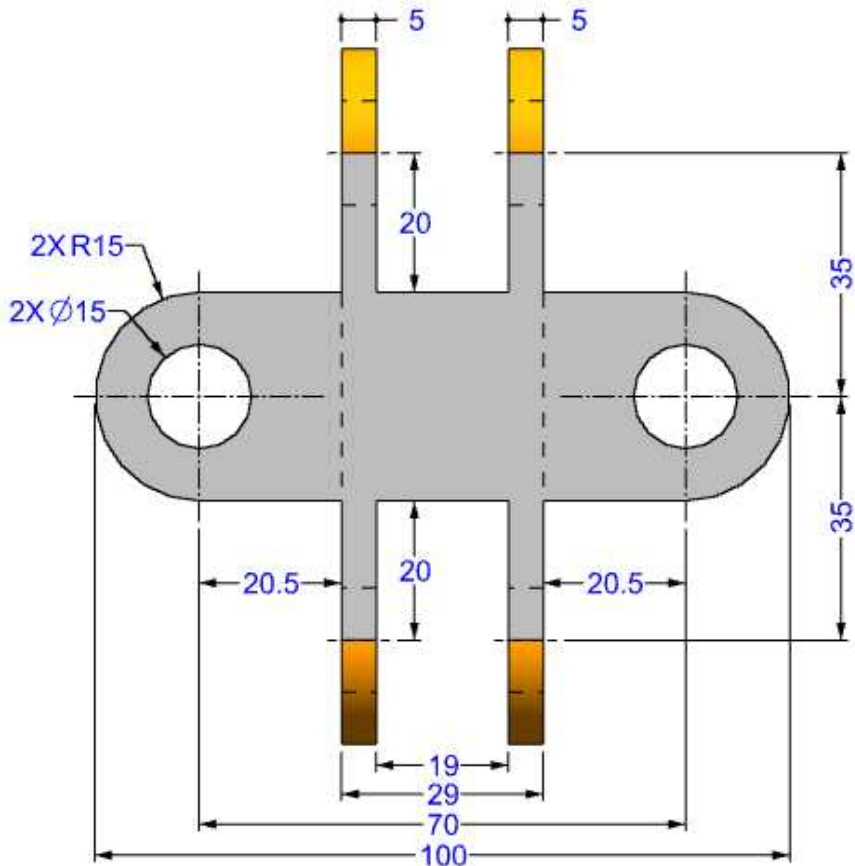
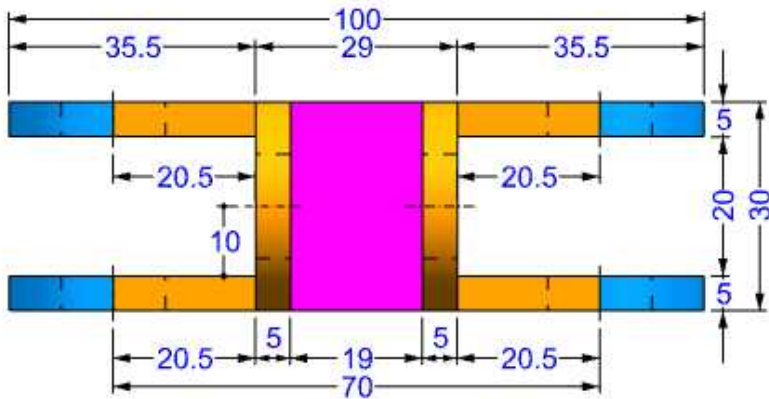
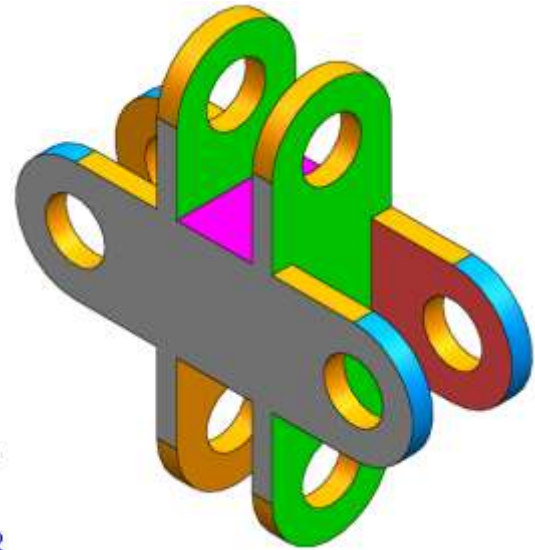
## EXERCISE-105



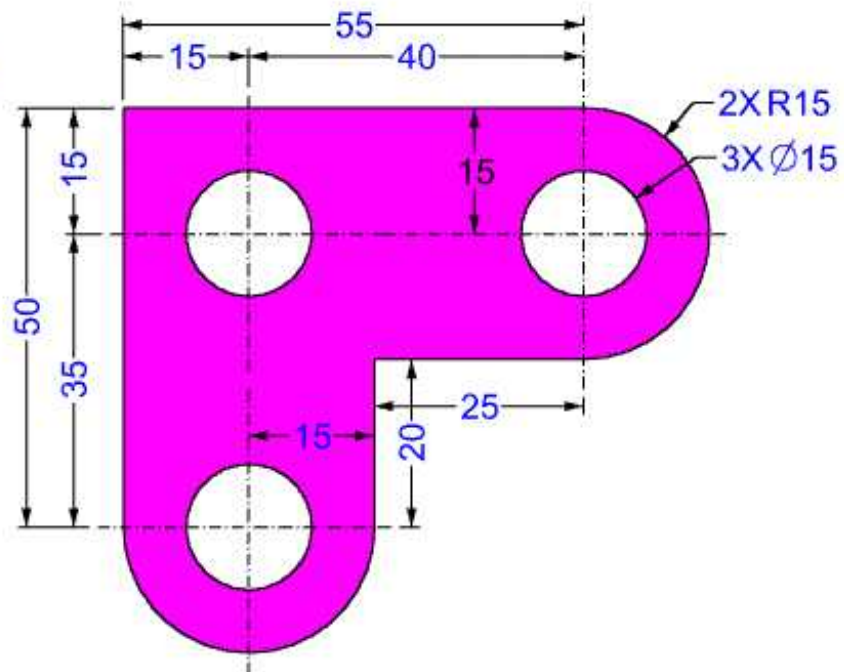
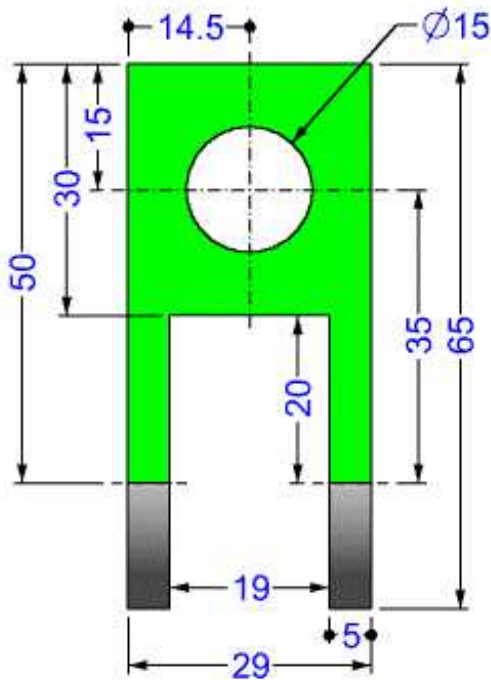
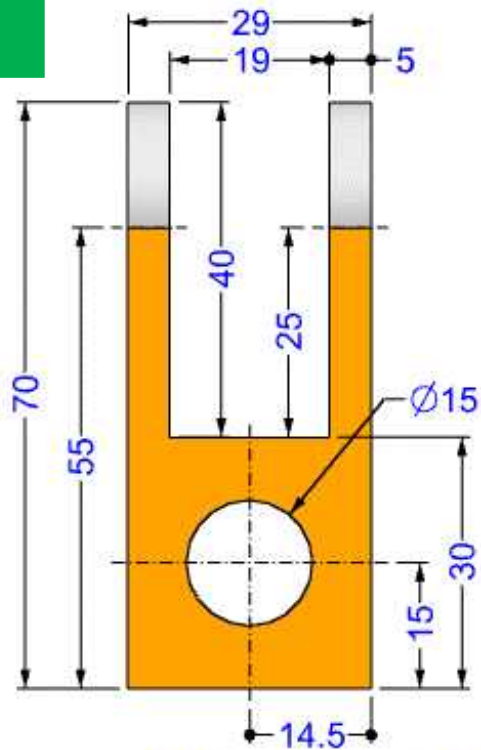
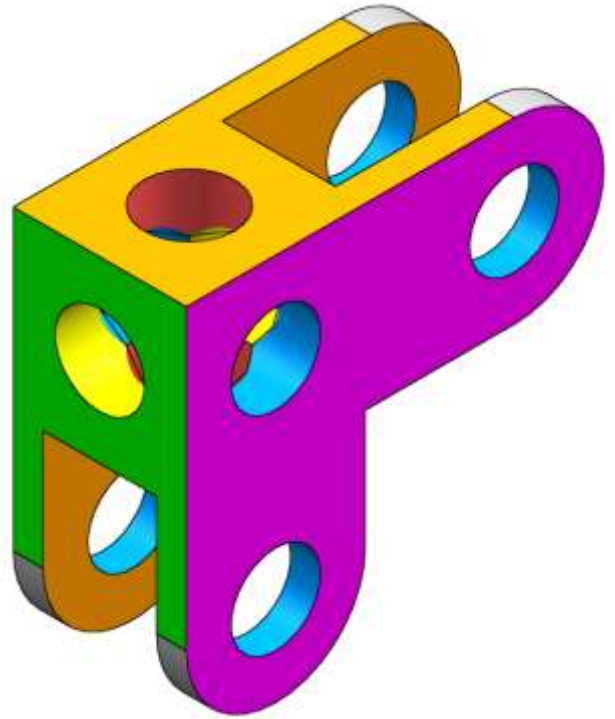
## EXERCISE-106



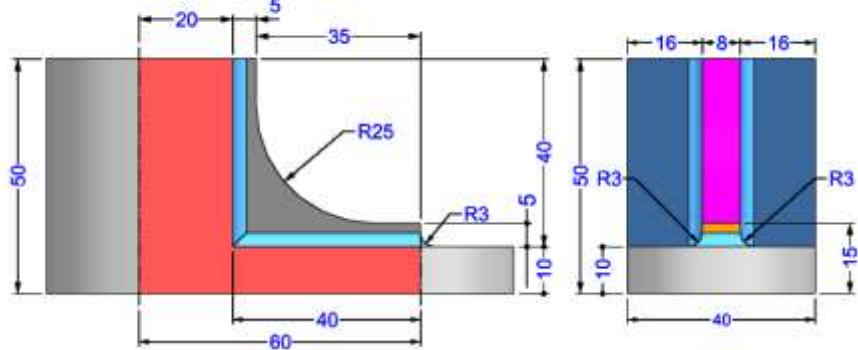
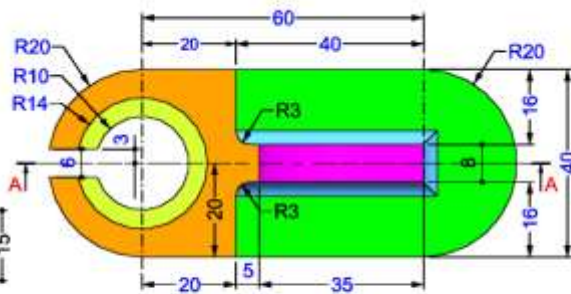
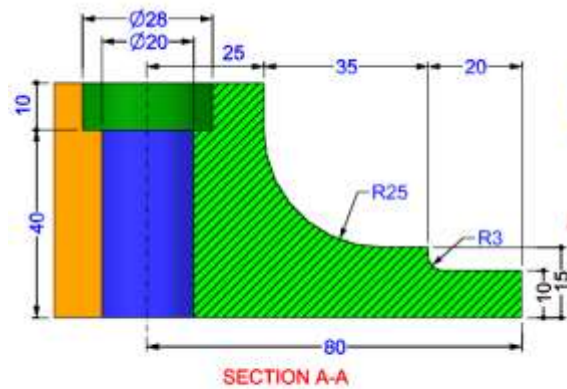
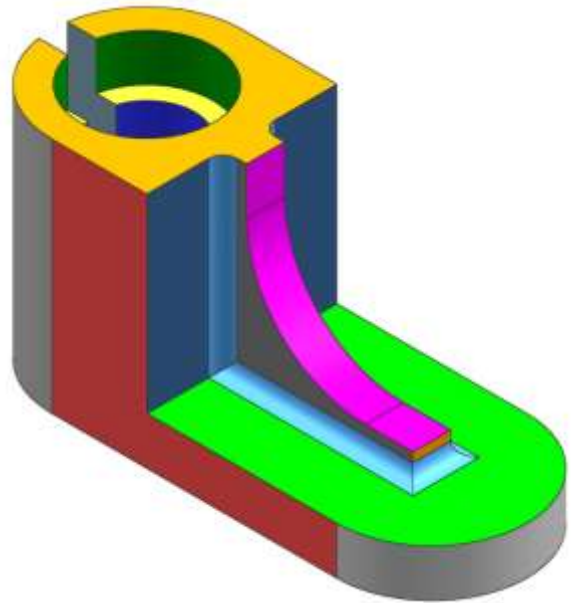
## EXERCISE-107



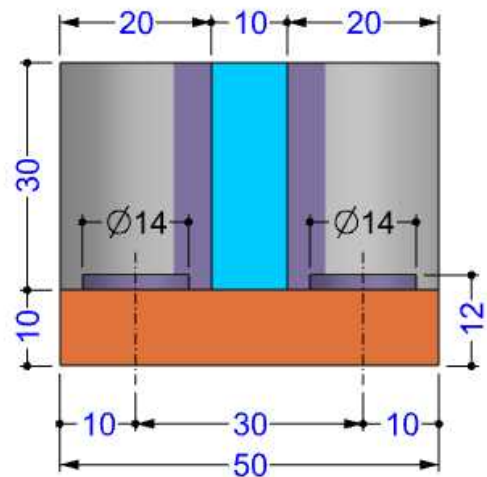
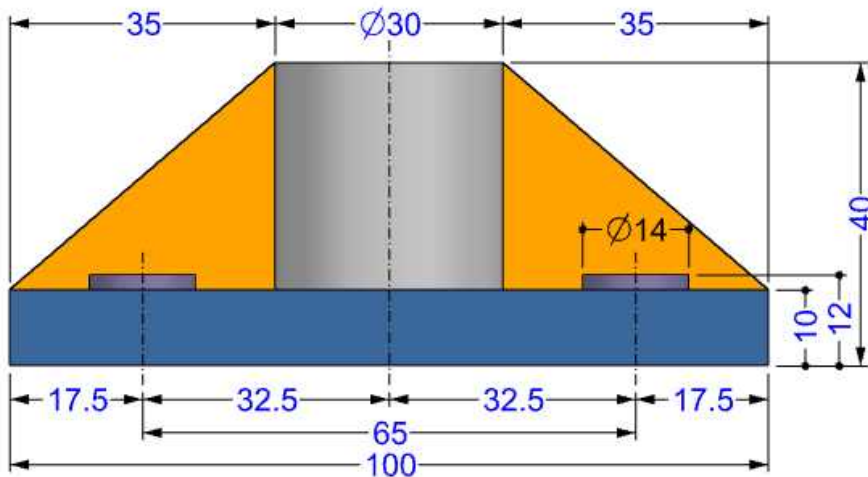
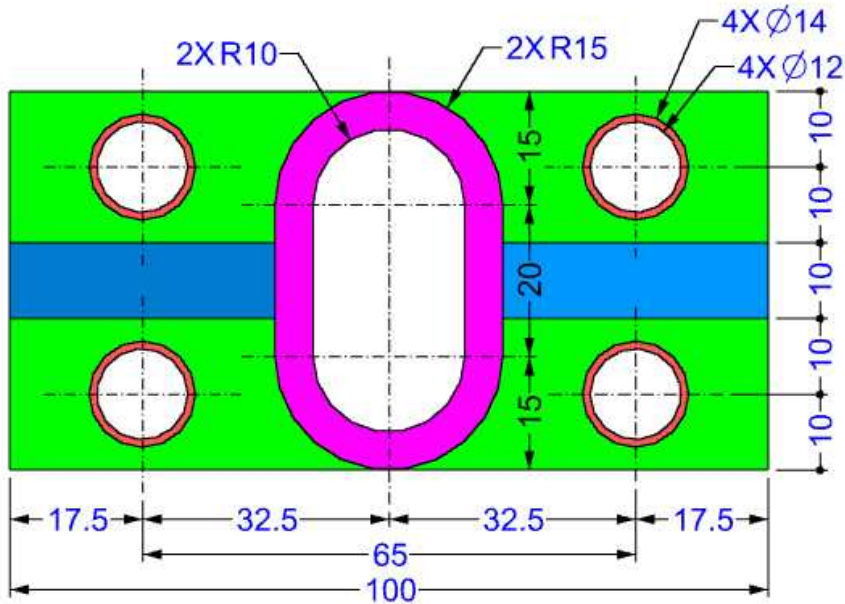
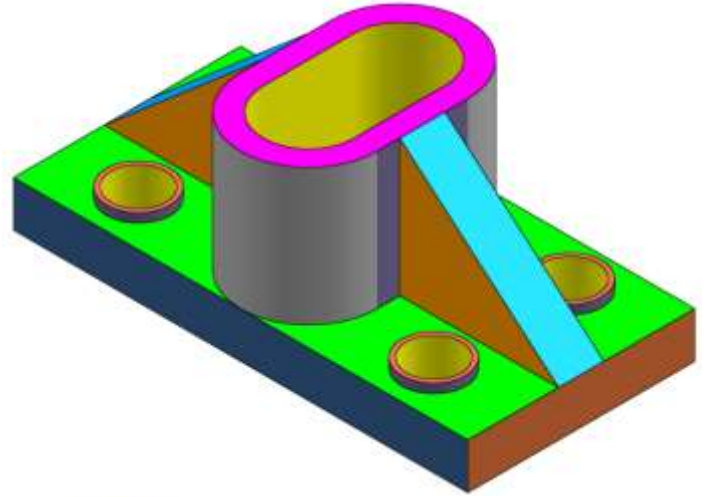
## EXERCISE-108



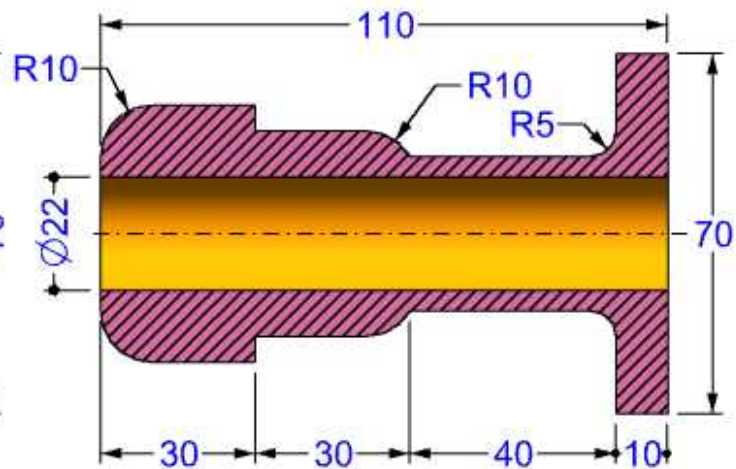
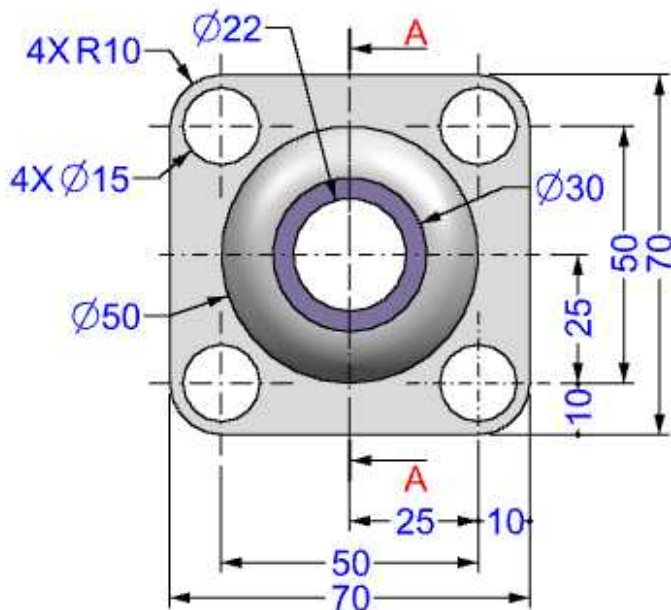
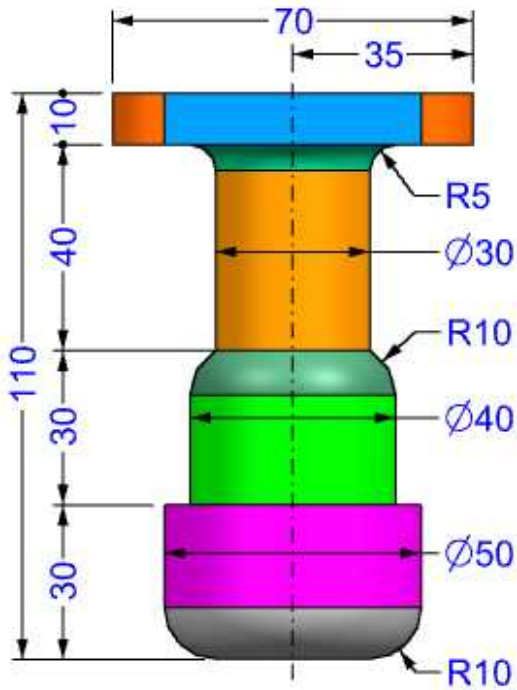
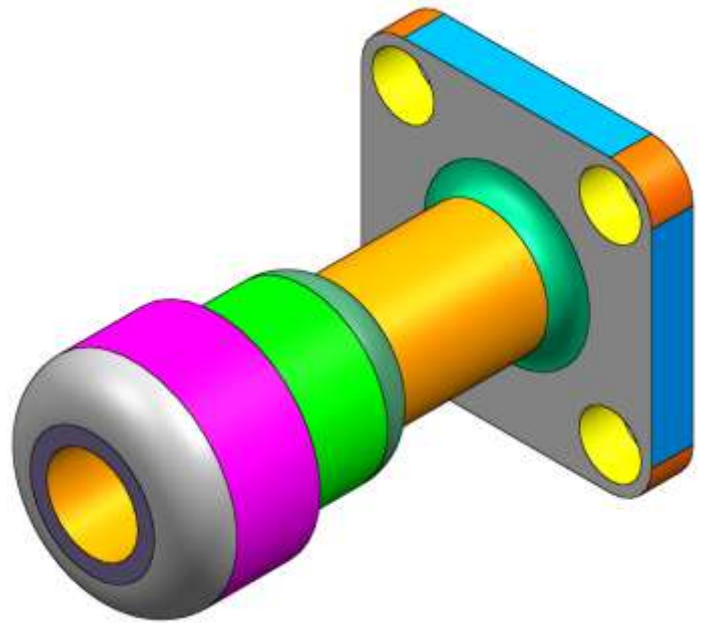
## EXERCISE-109



## EXERCISE-110

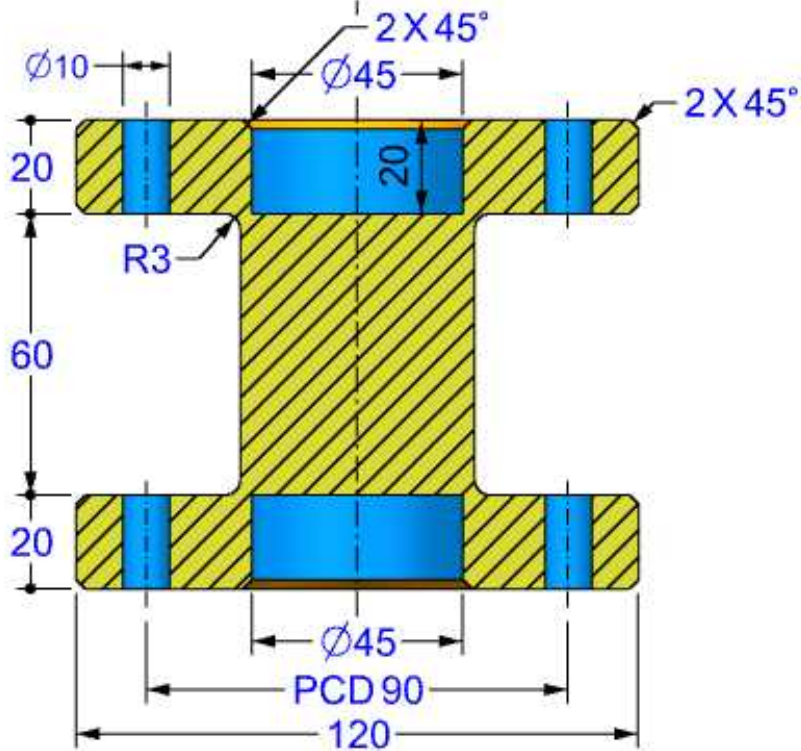
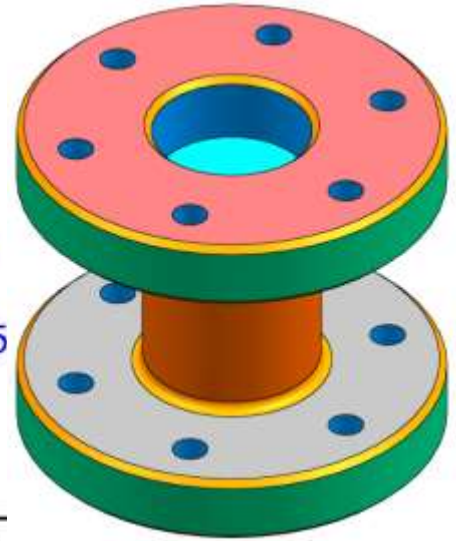
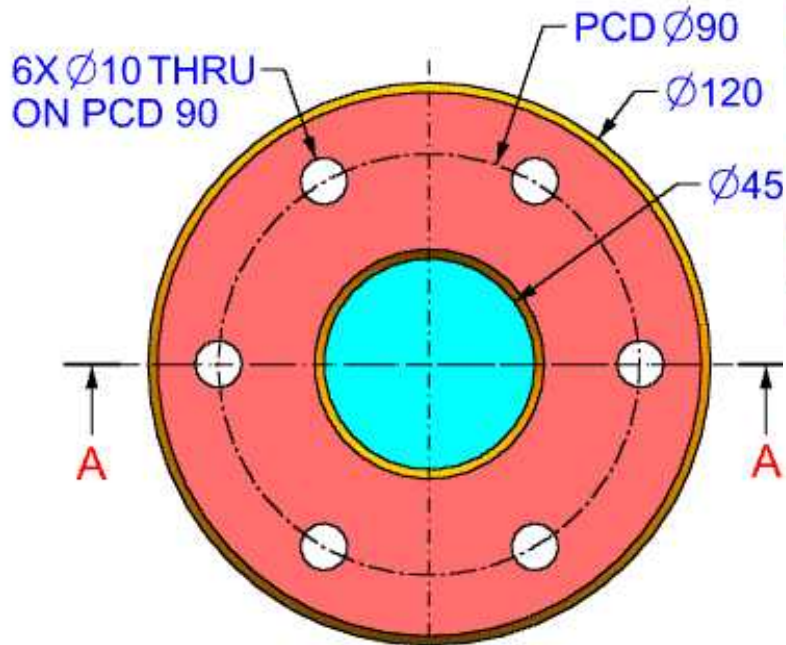


## EXERCISE-111



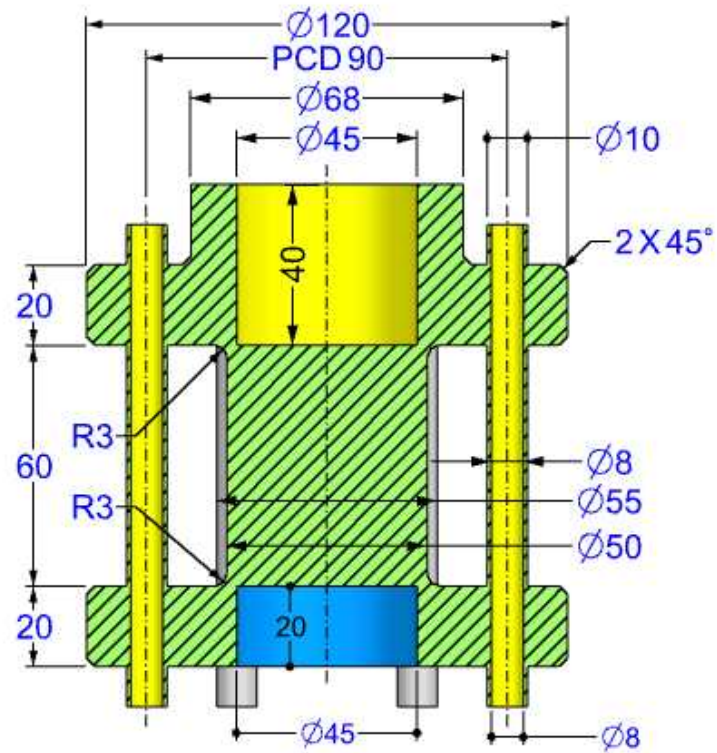
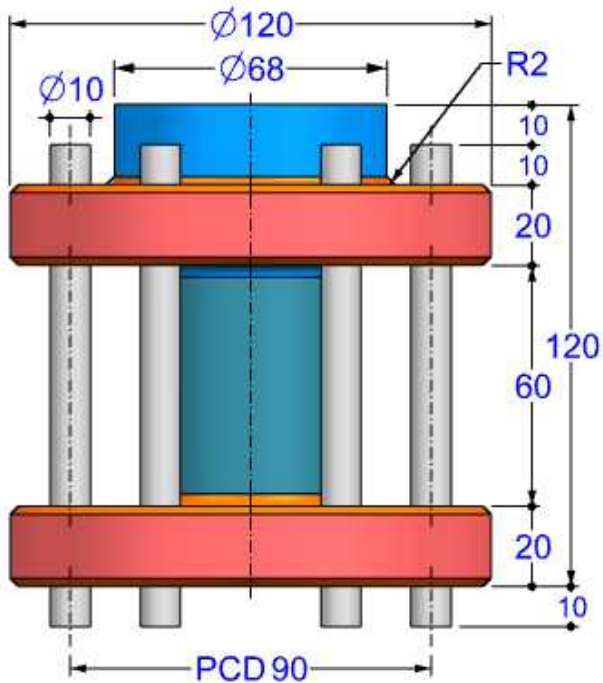
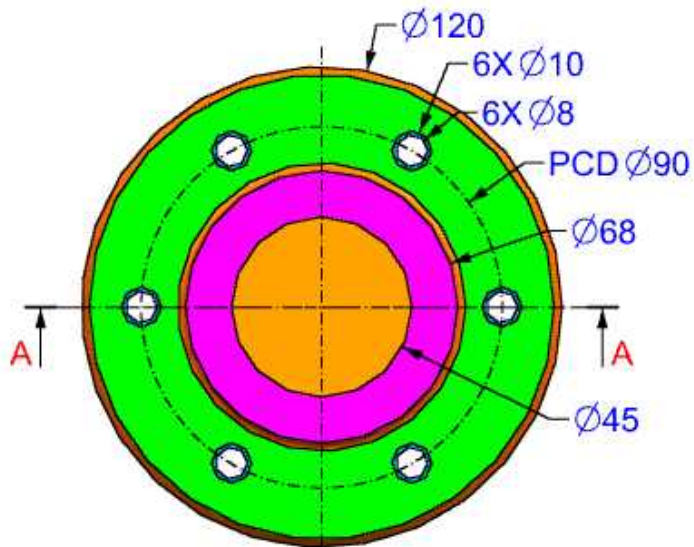
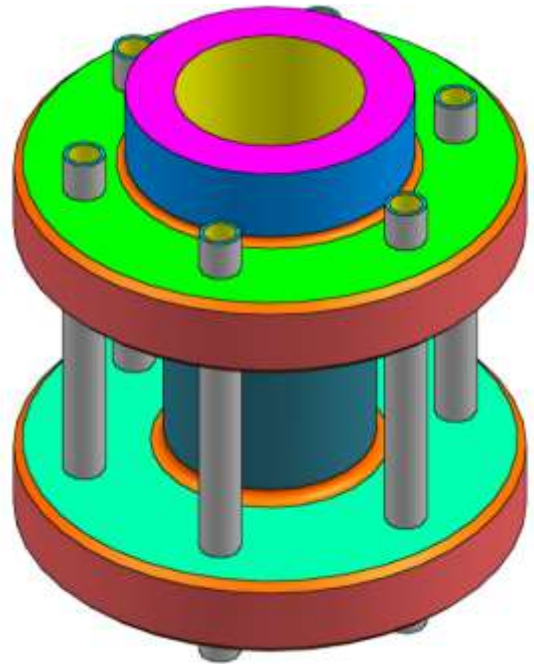
SECTION A-A

## EXERCISE-112



SECTION A-A

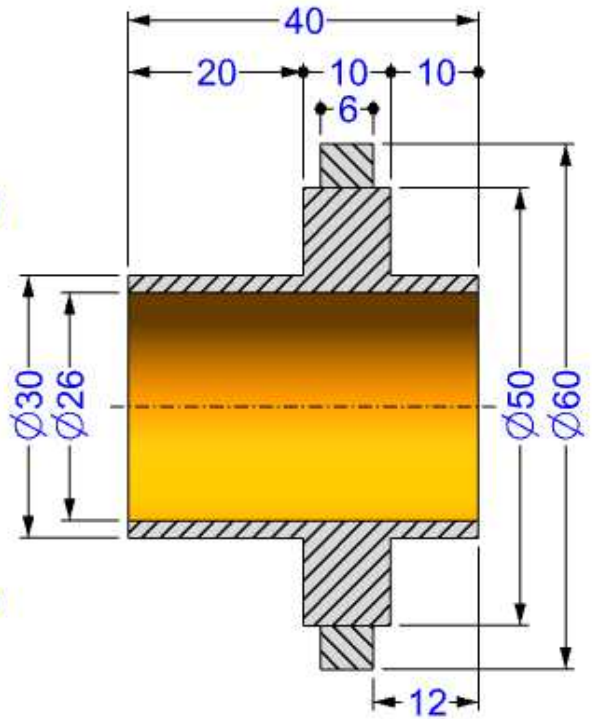
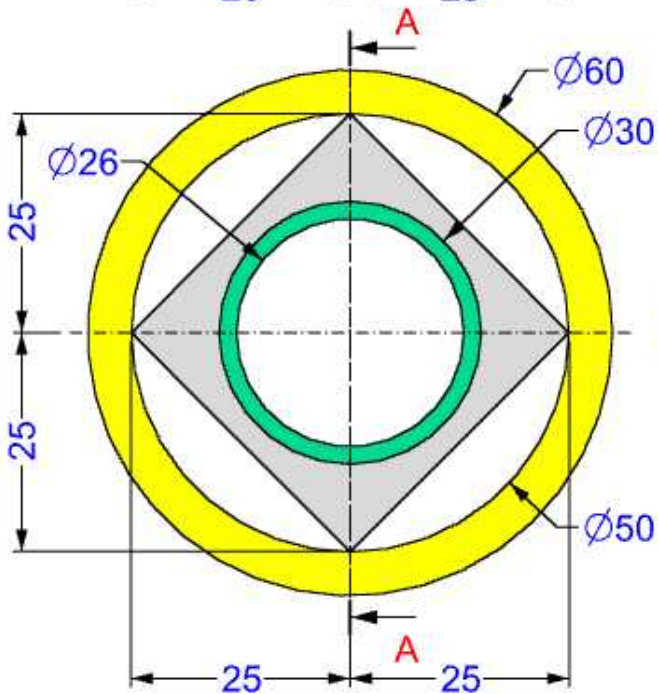
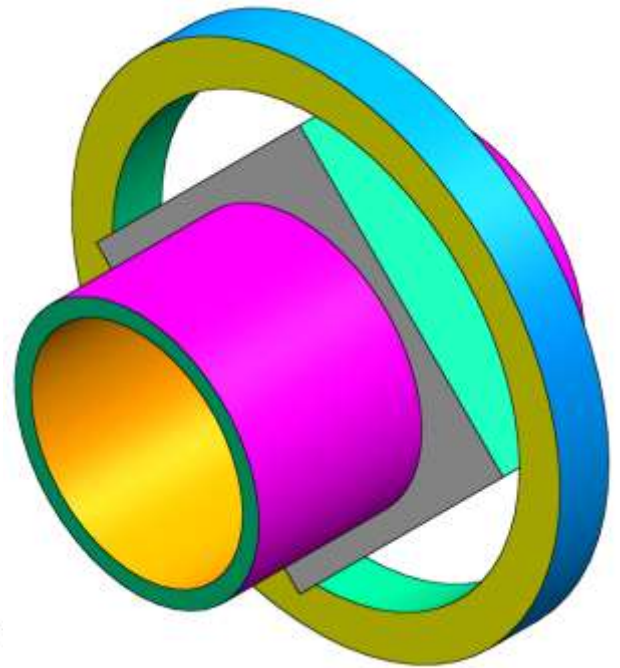
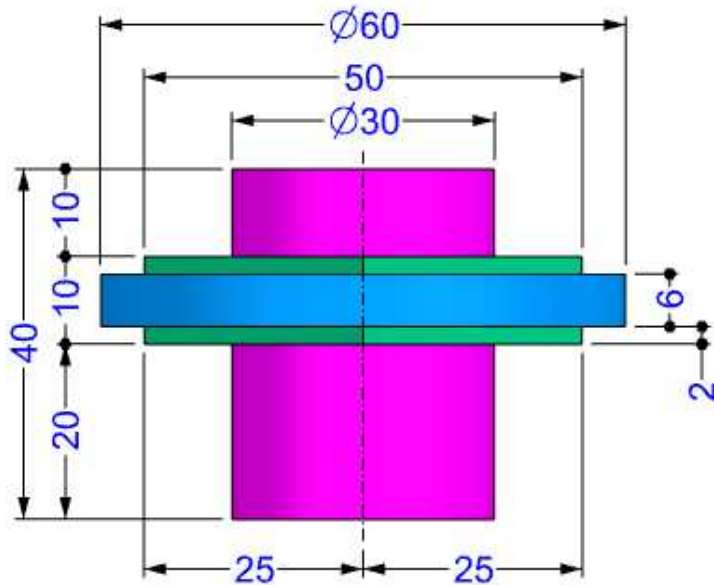
## EXERCISE-113



SECTION A-A

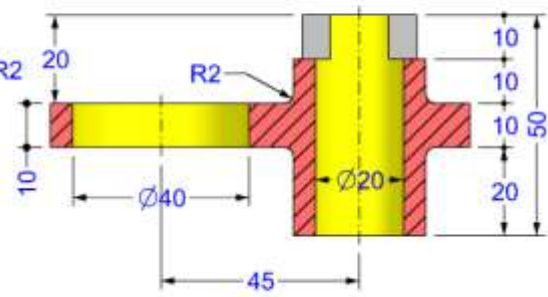
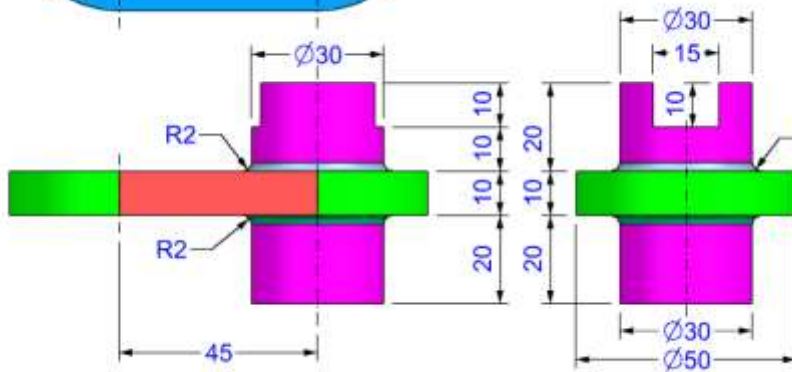
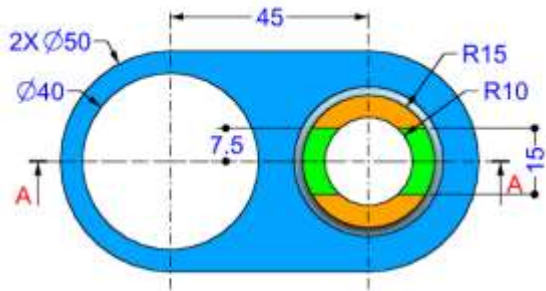
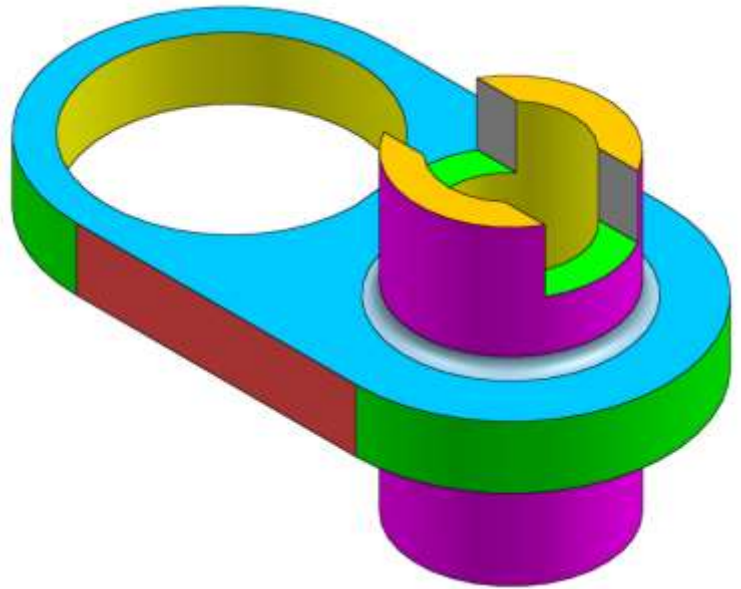


## EXERCISE-115



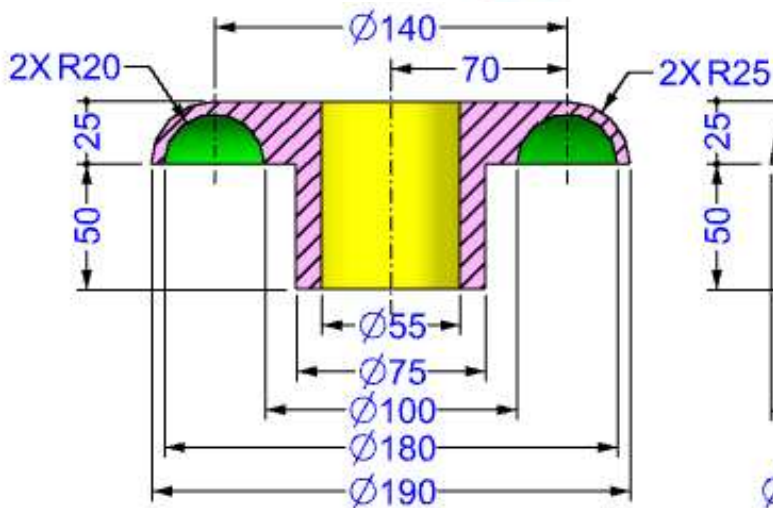
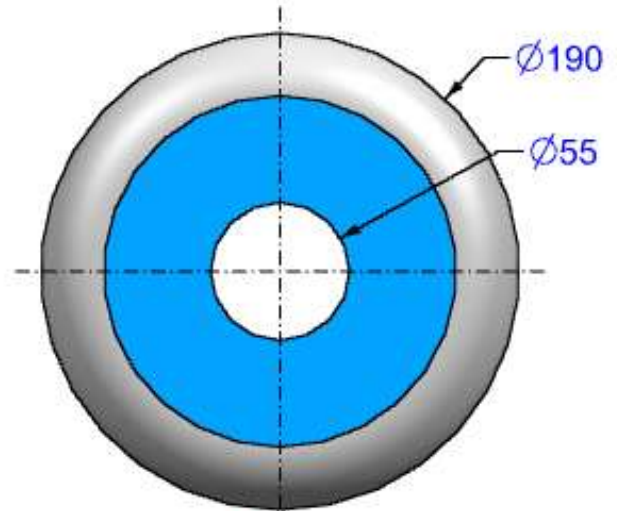
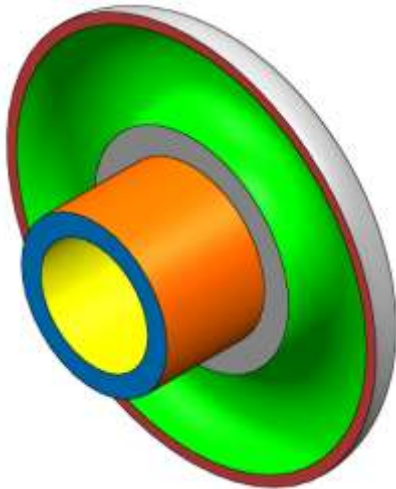
SECTION A-A

## EXERCISE-116

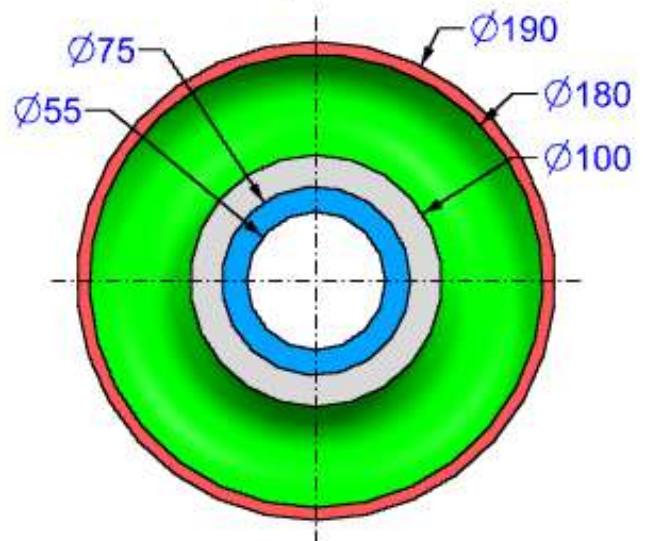
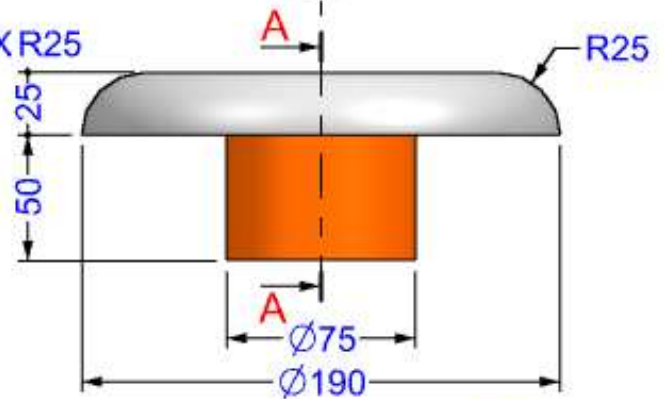


SECTION A-A

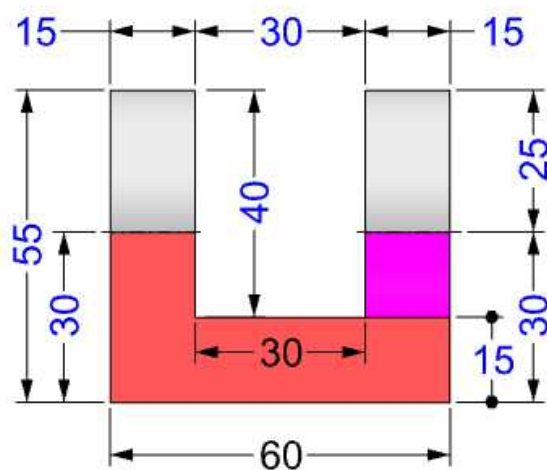
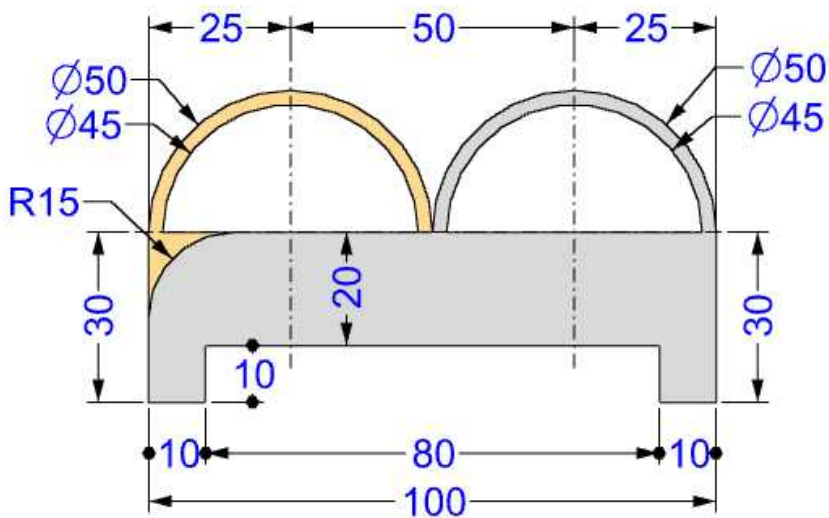
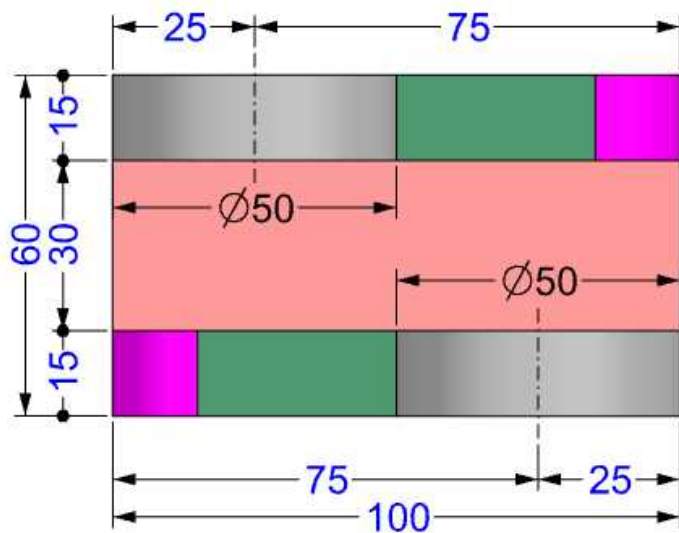
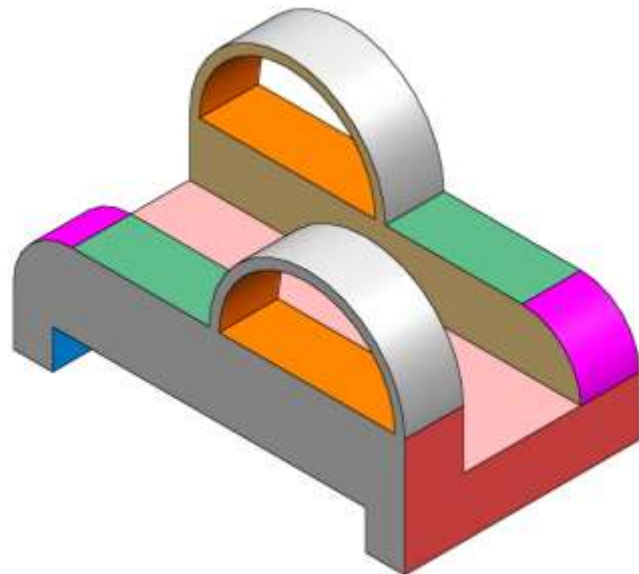
## EXERCISE-117



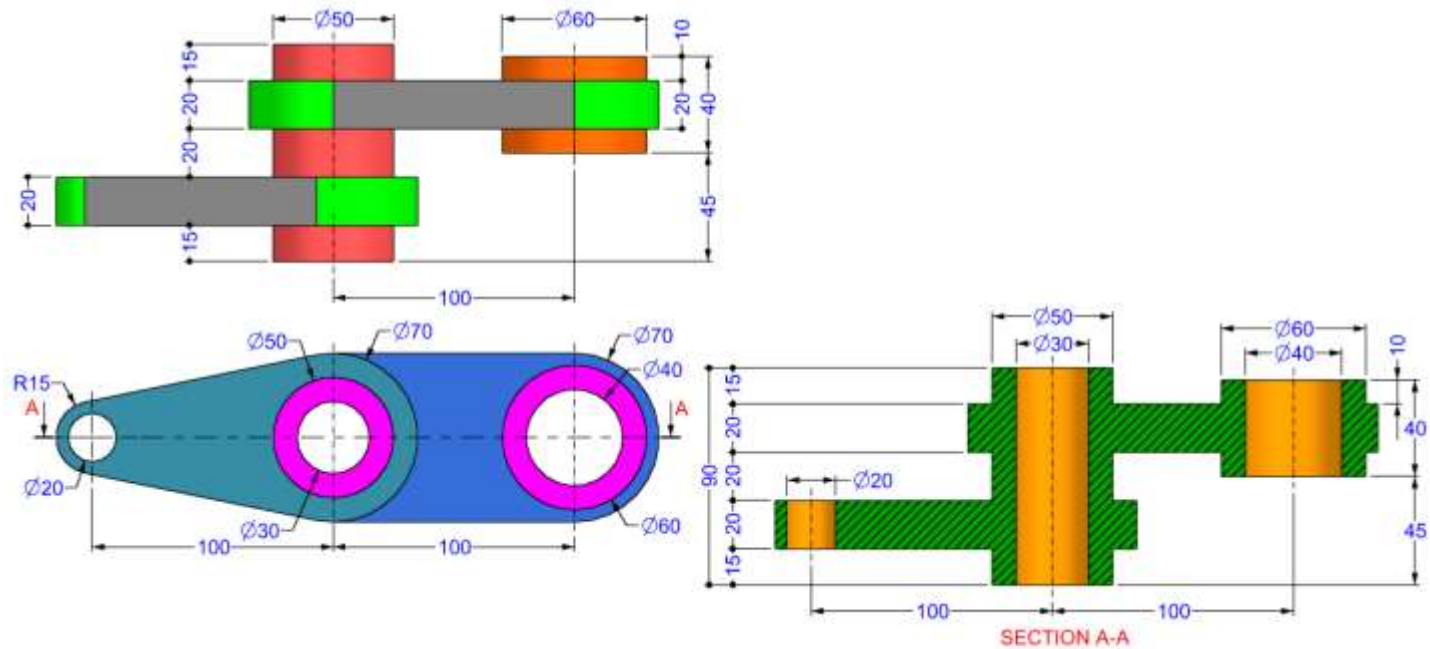
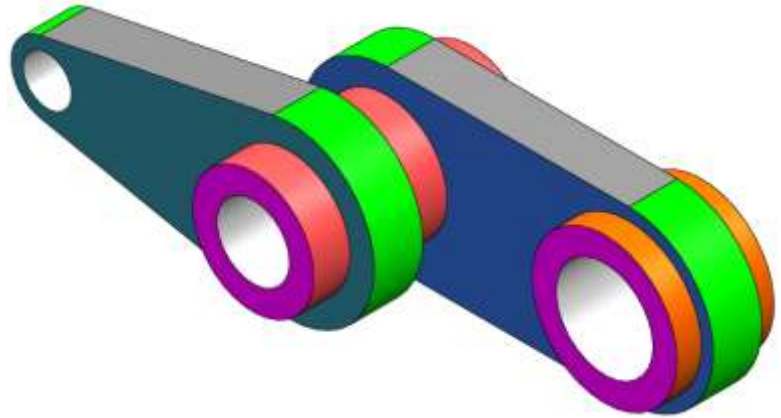
SECTION A-A



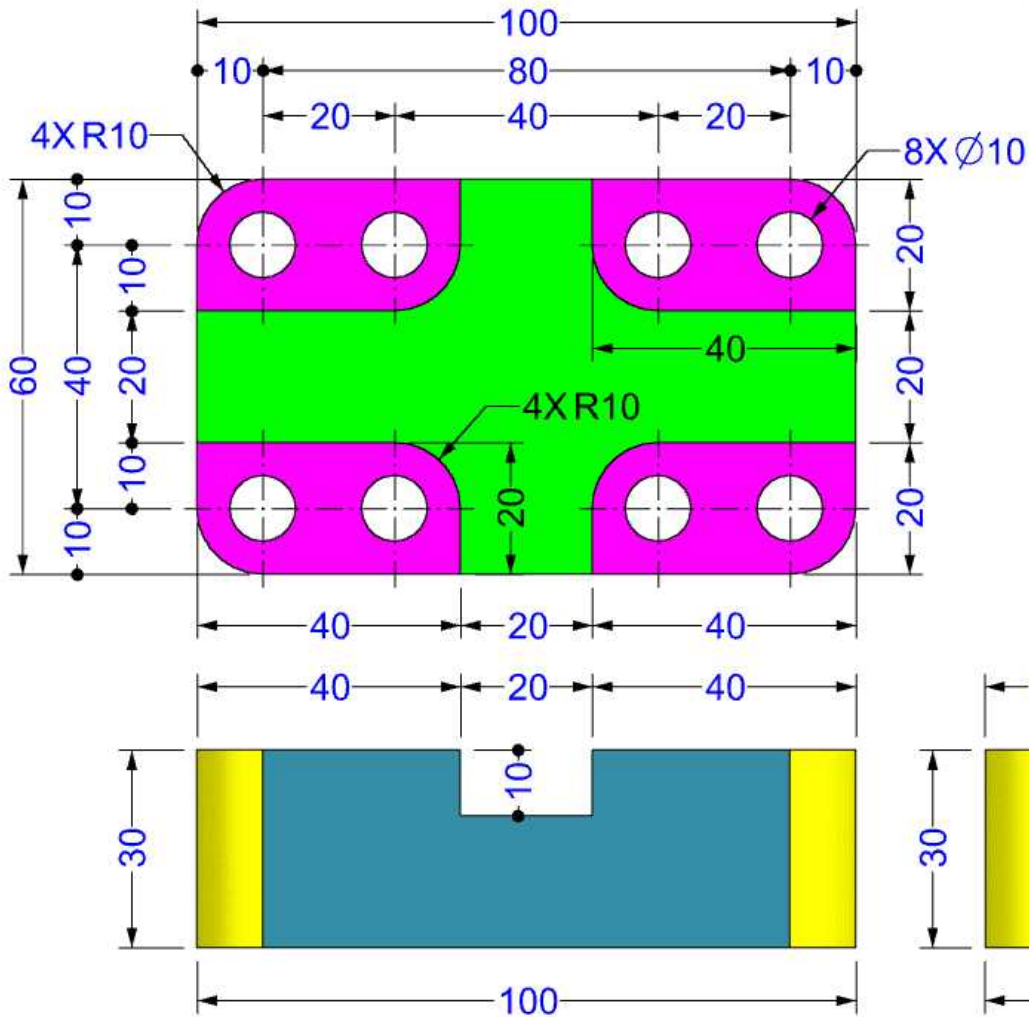
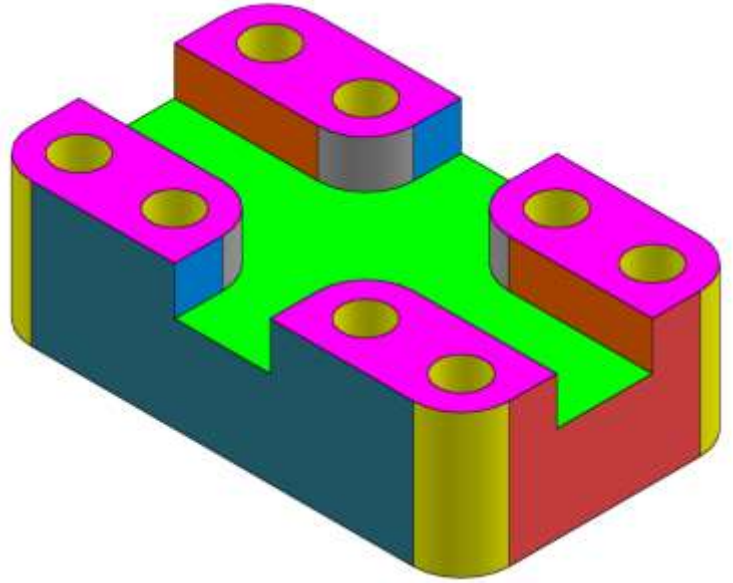
## EXERCISE-118



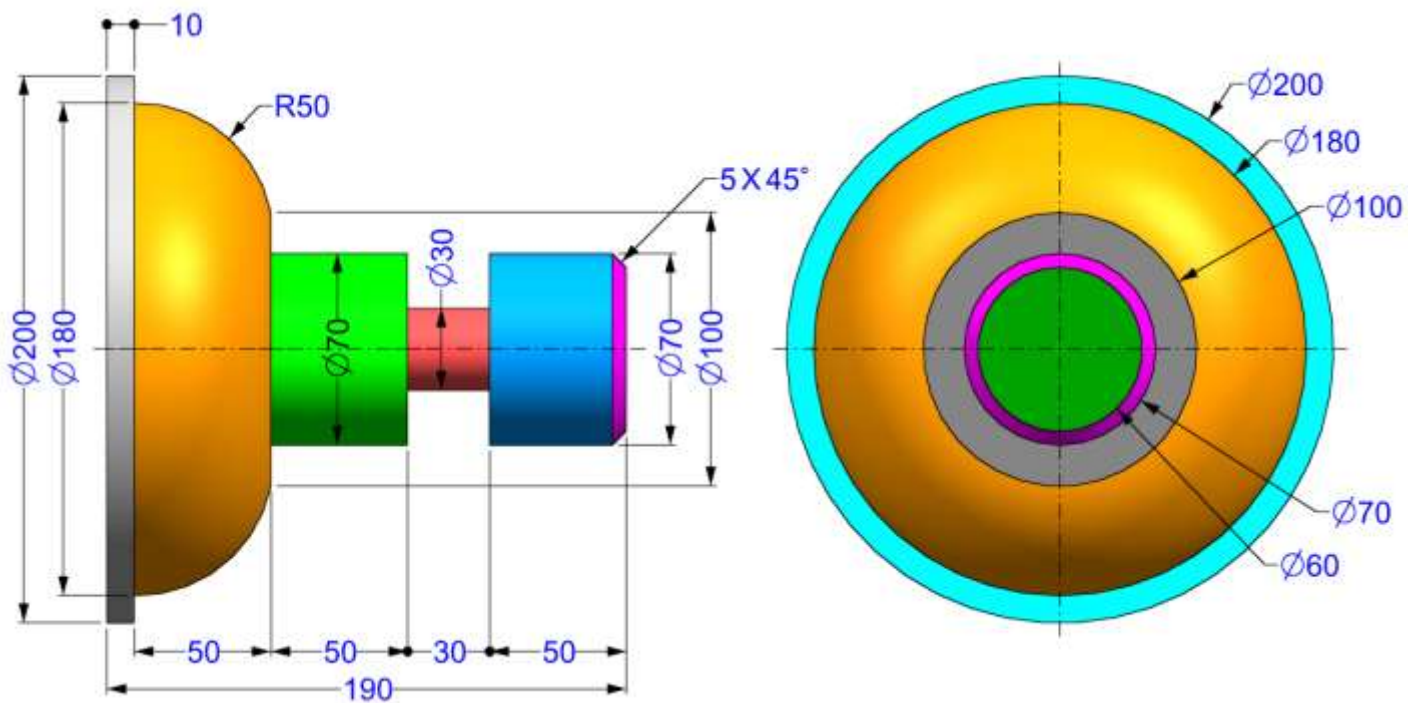
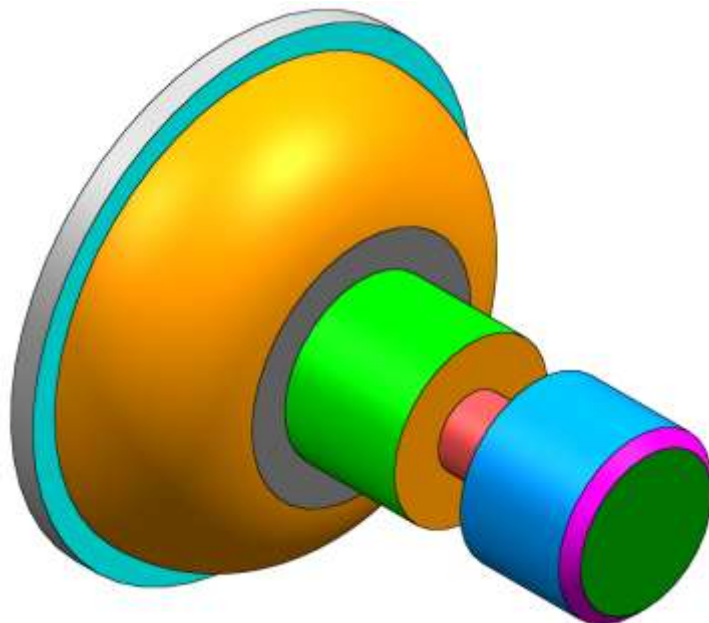
## EXERCISE-119



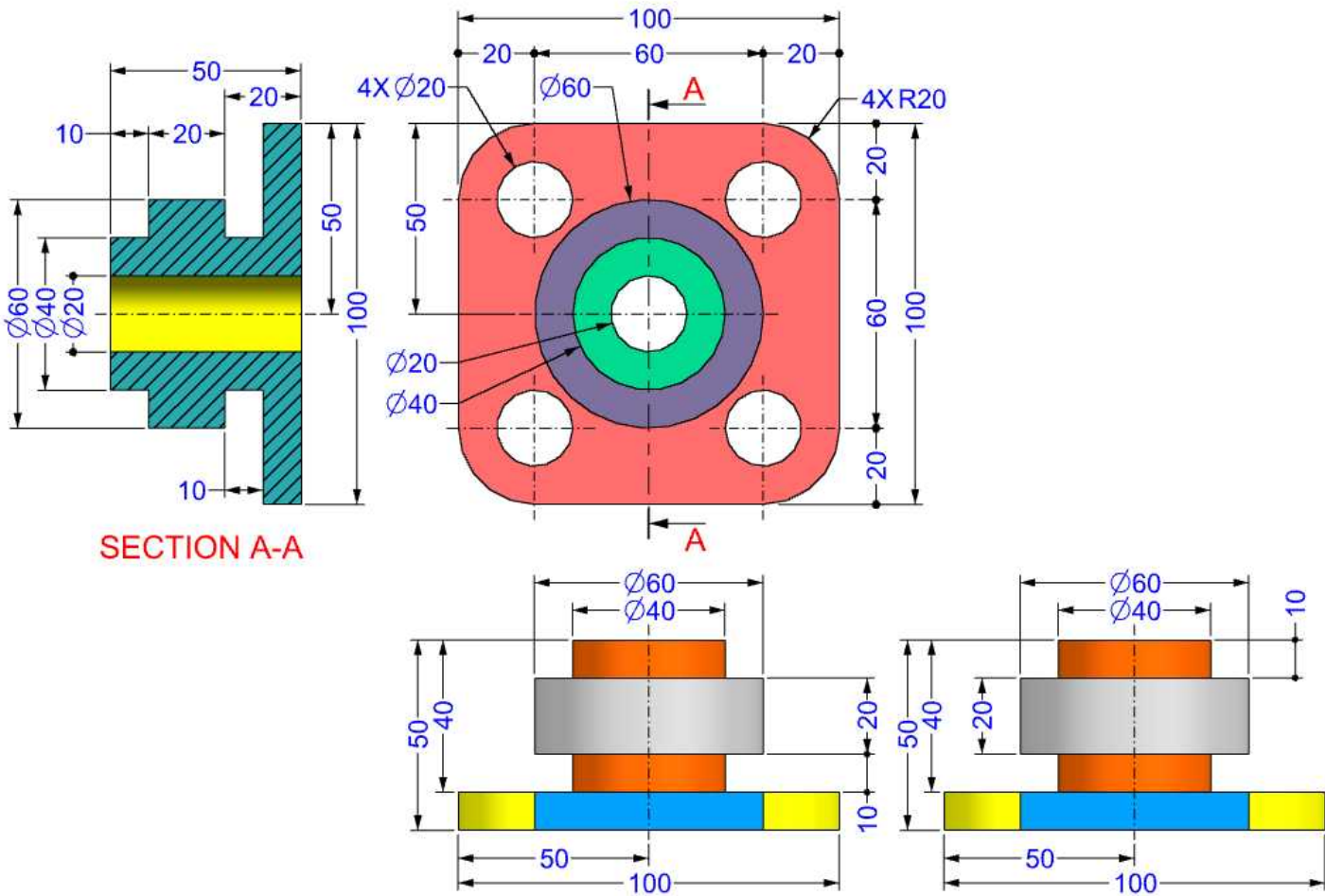
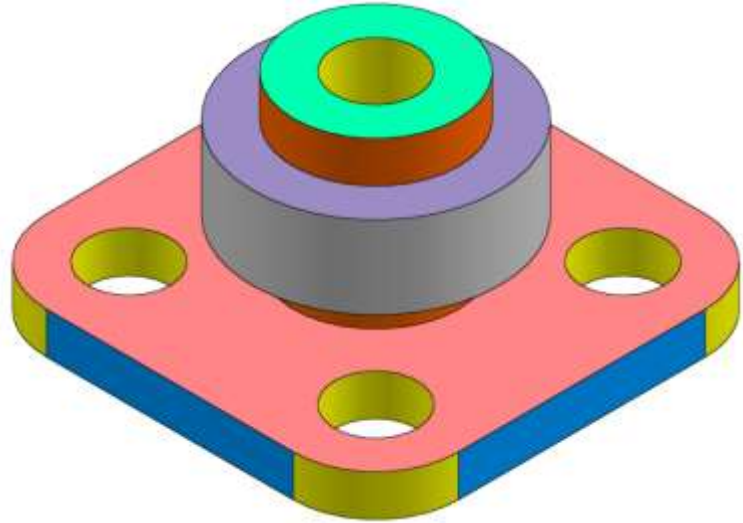
## EXERCISE-120



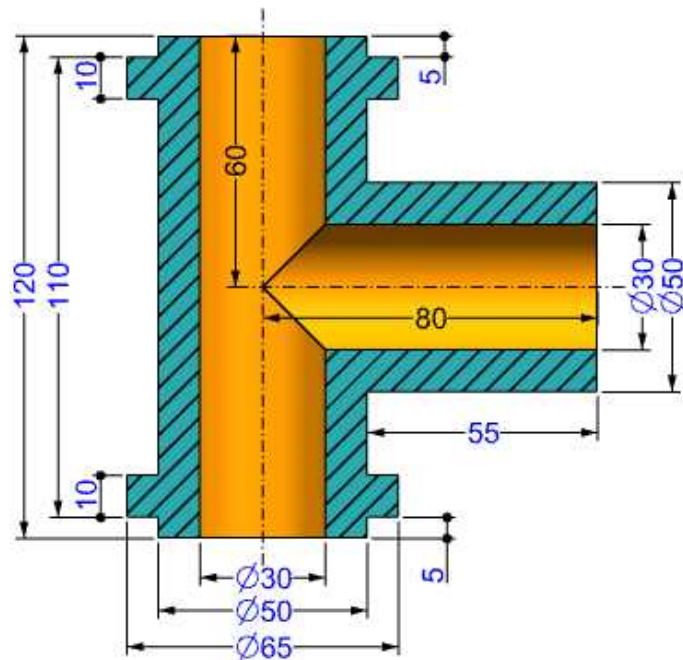
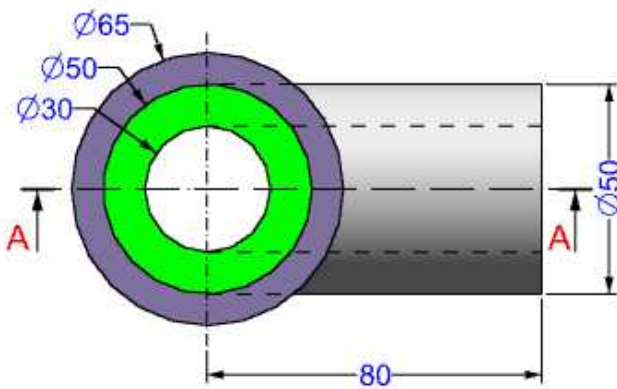
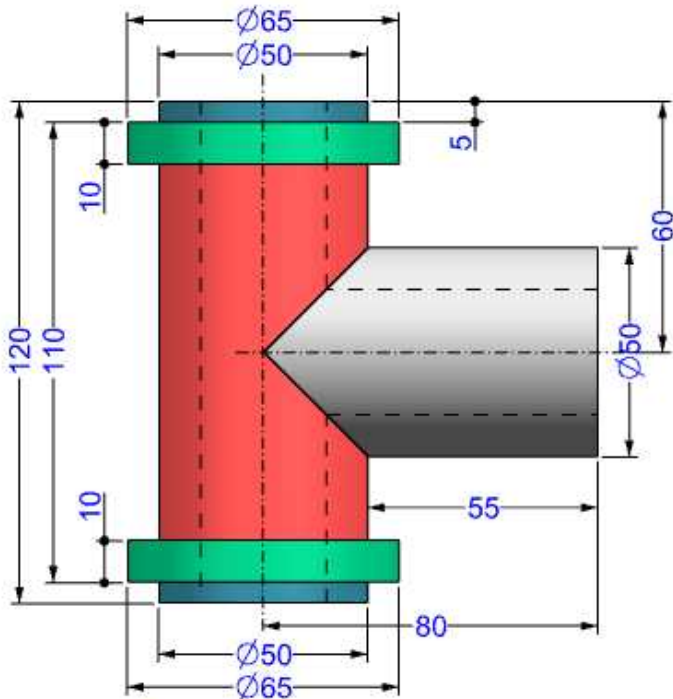
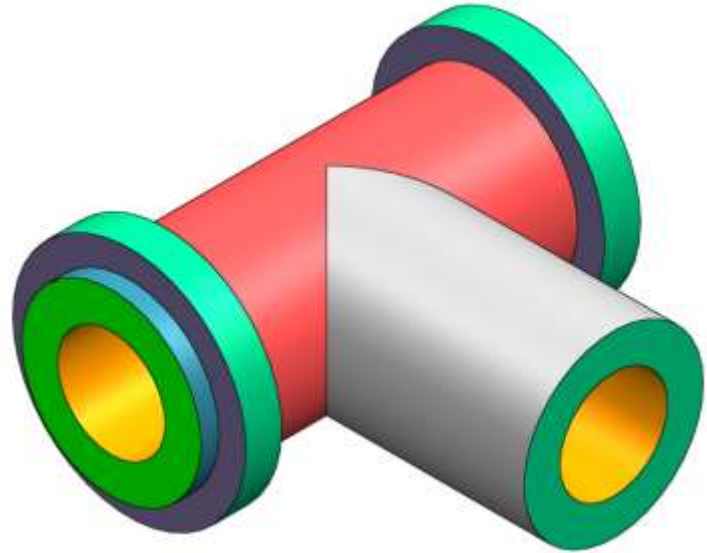
## EXERCISE-121



## EXERCISE-122

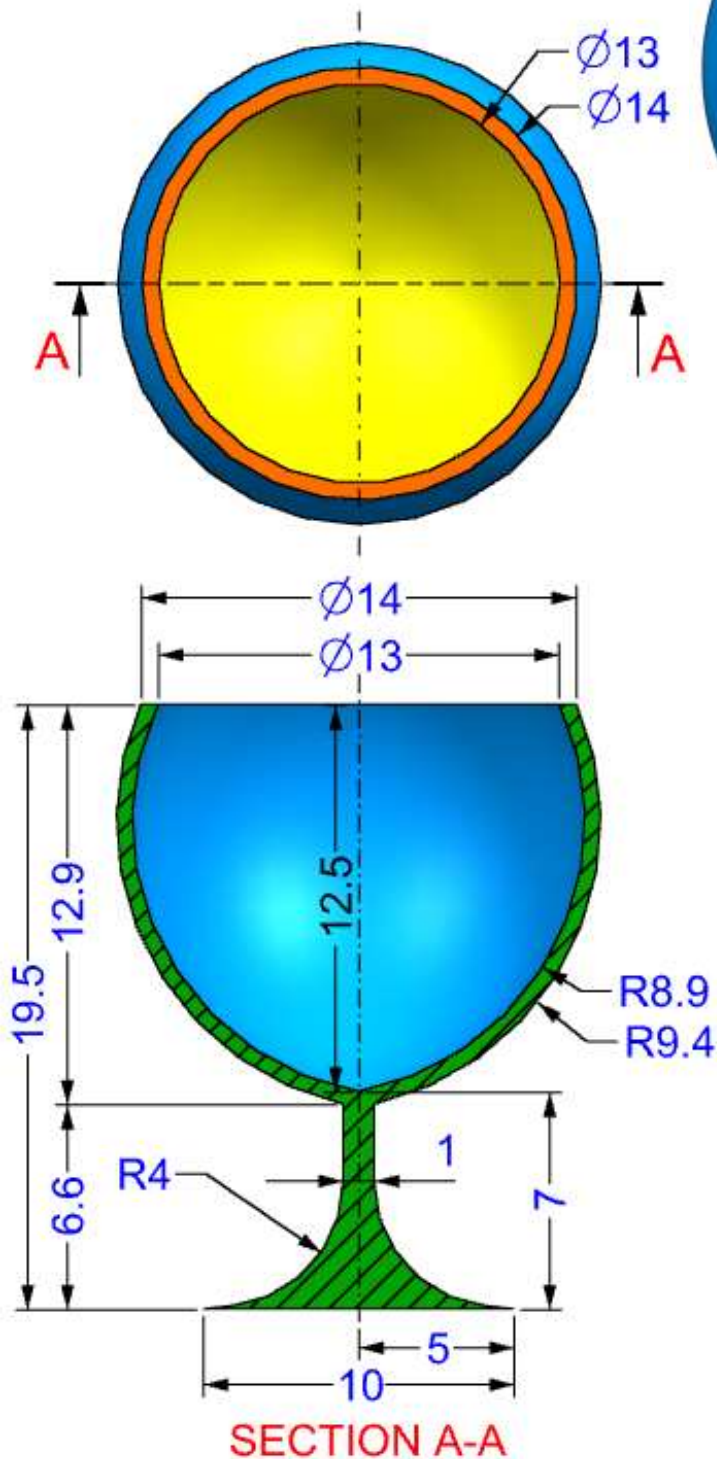


## EXERCISE-123

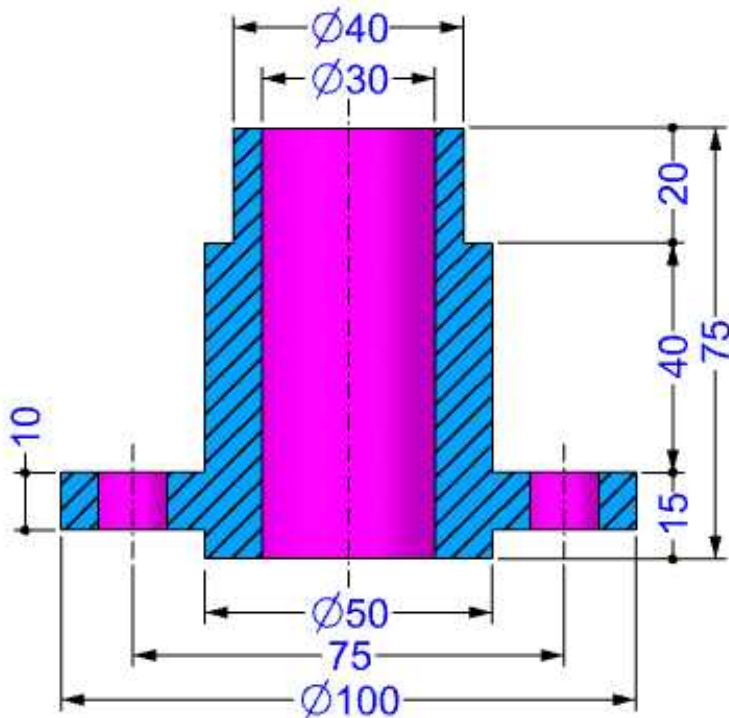
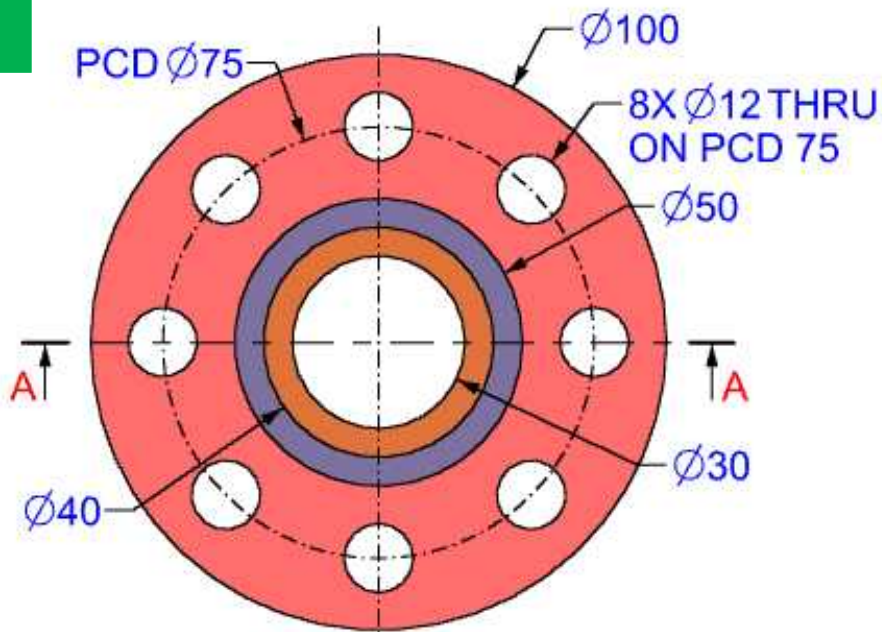
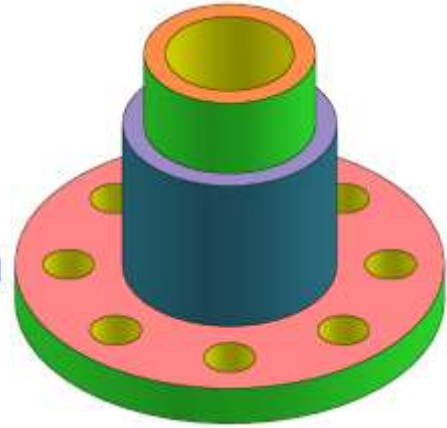


SECTION A-A

## EXERCISE-124

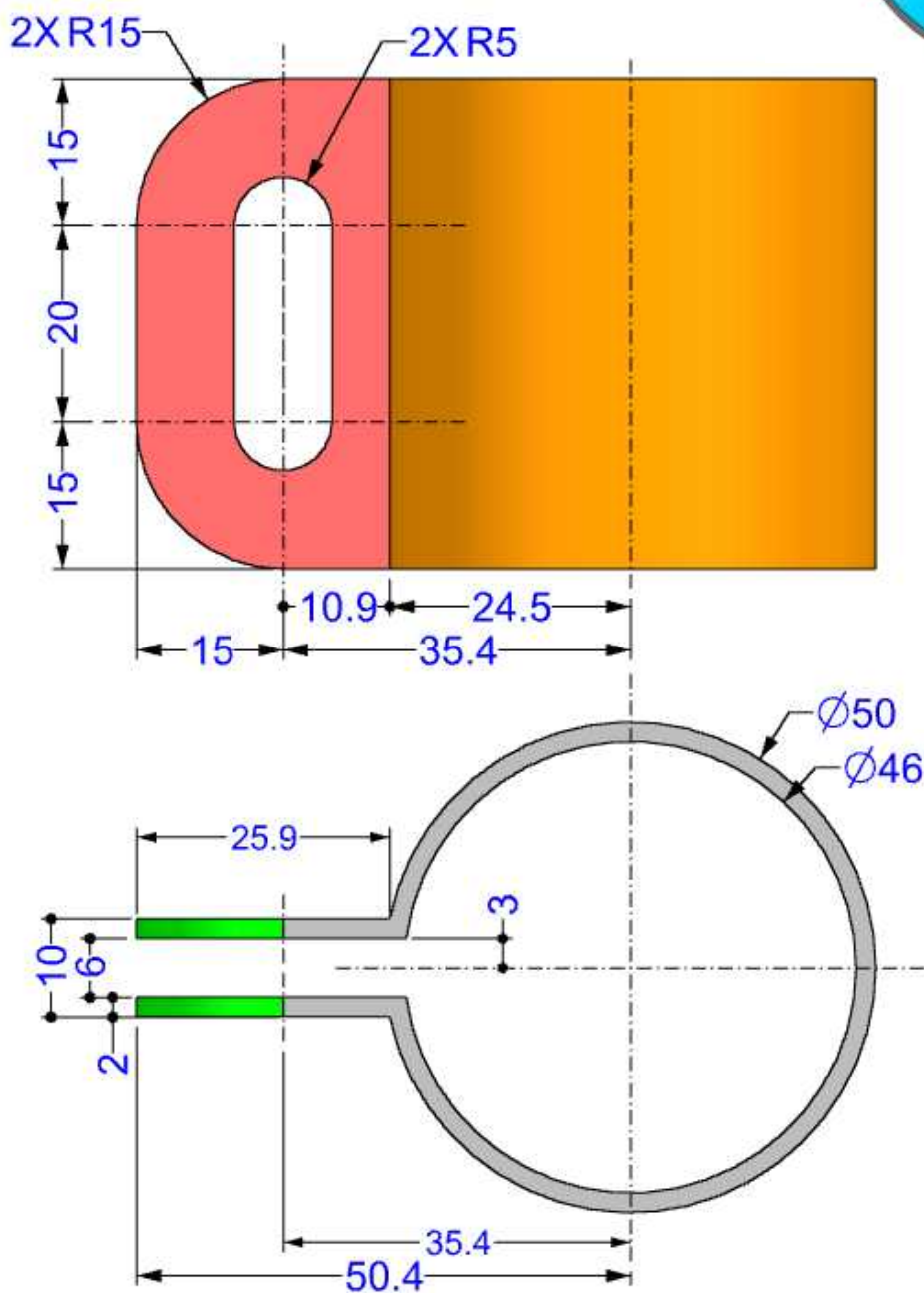
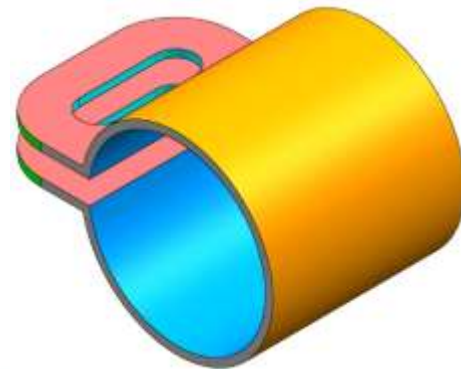


## EXERCISE-125

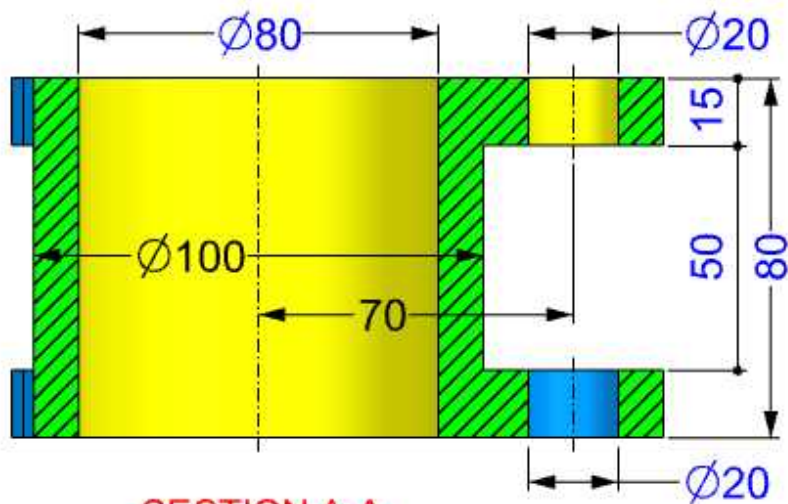
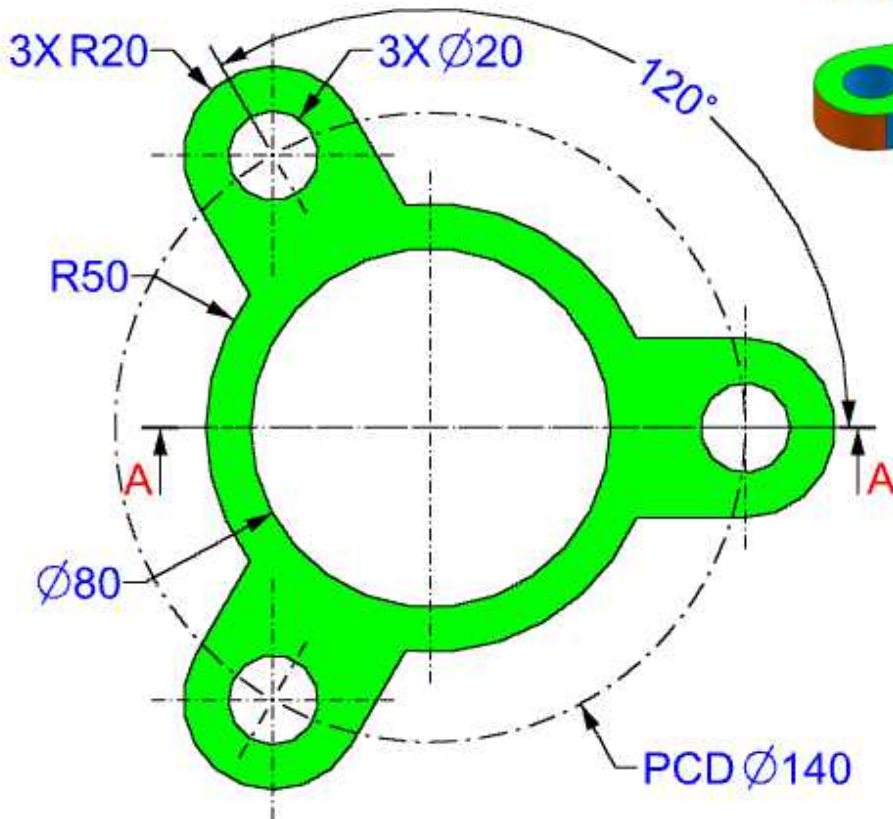
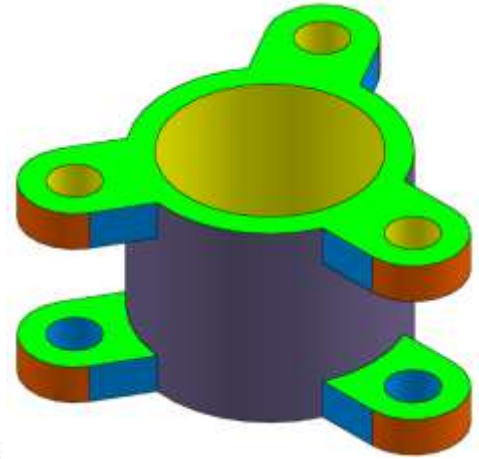


SECTION A-A

## EXERCISE-126

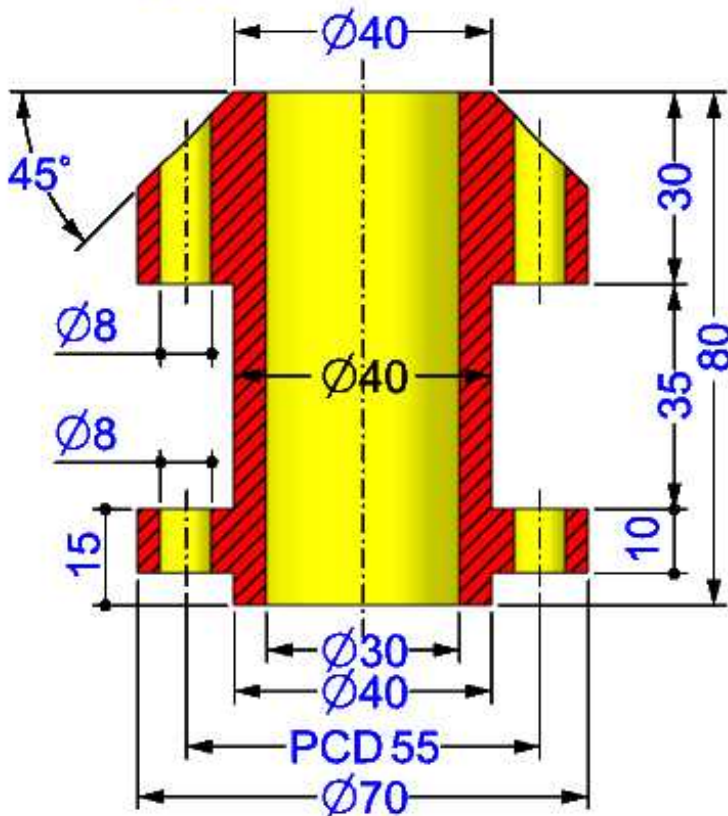
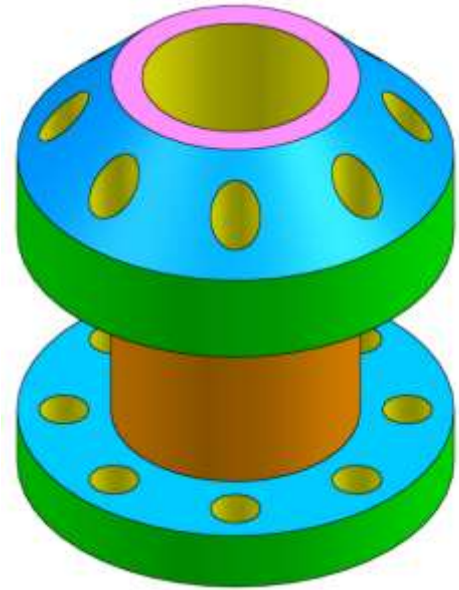
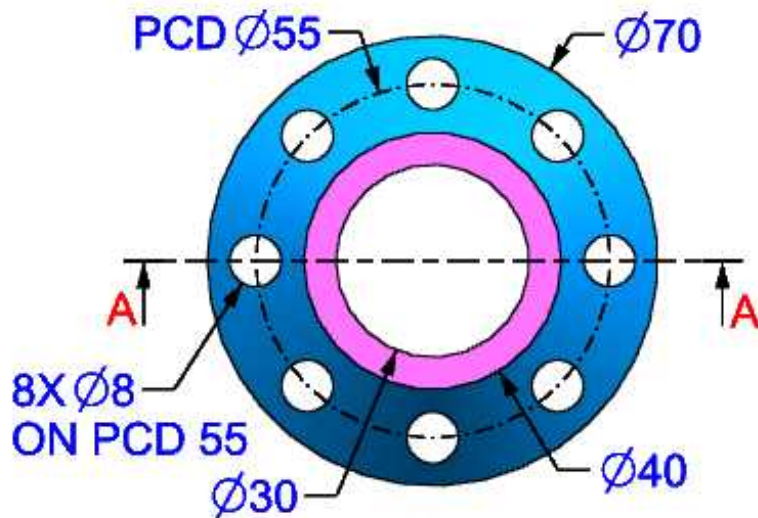


## EXERCISE-127



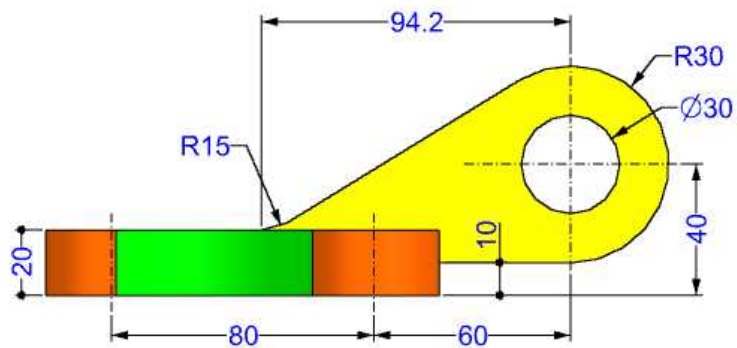
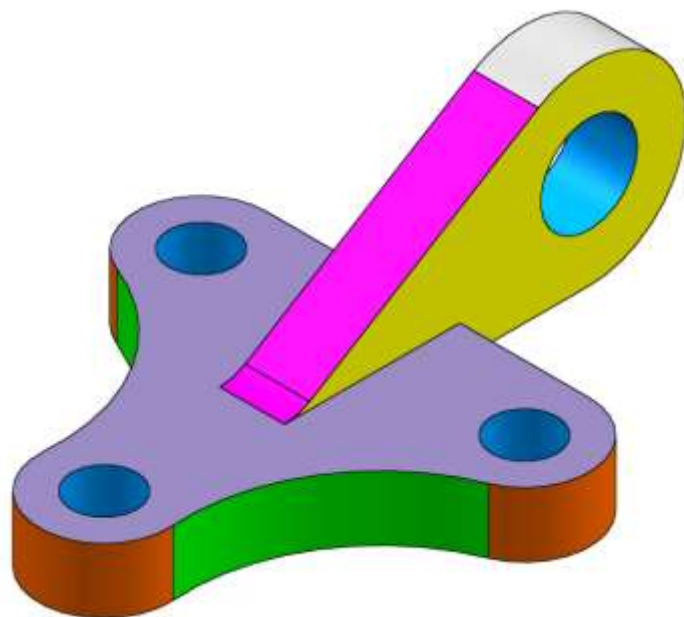
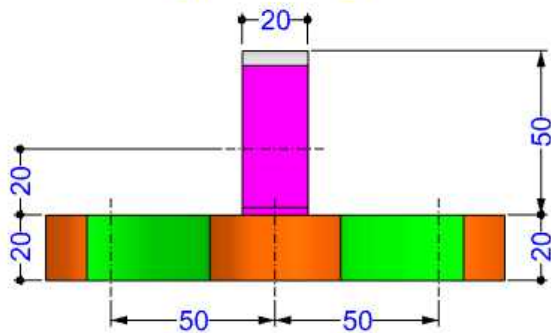
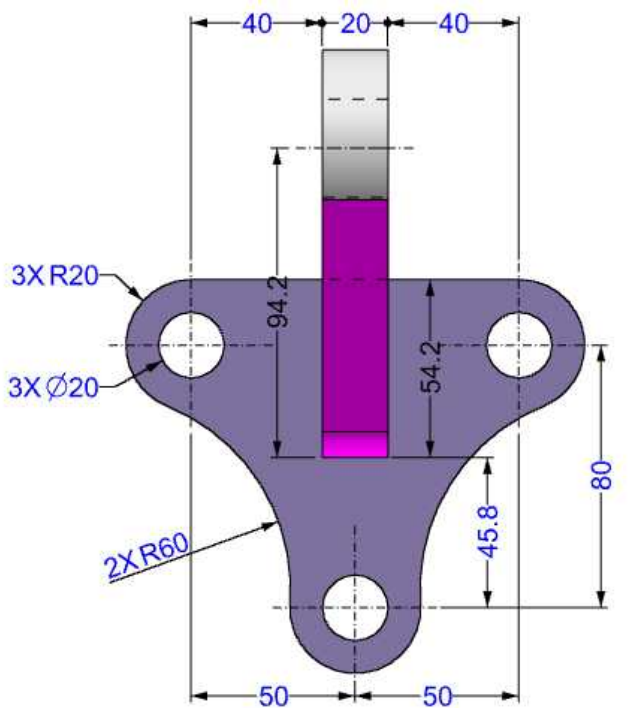
SECTION A-A

## EXERCISE-128

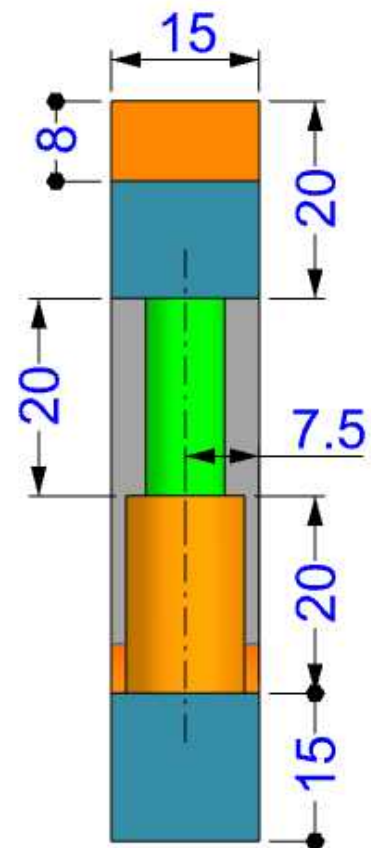
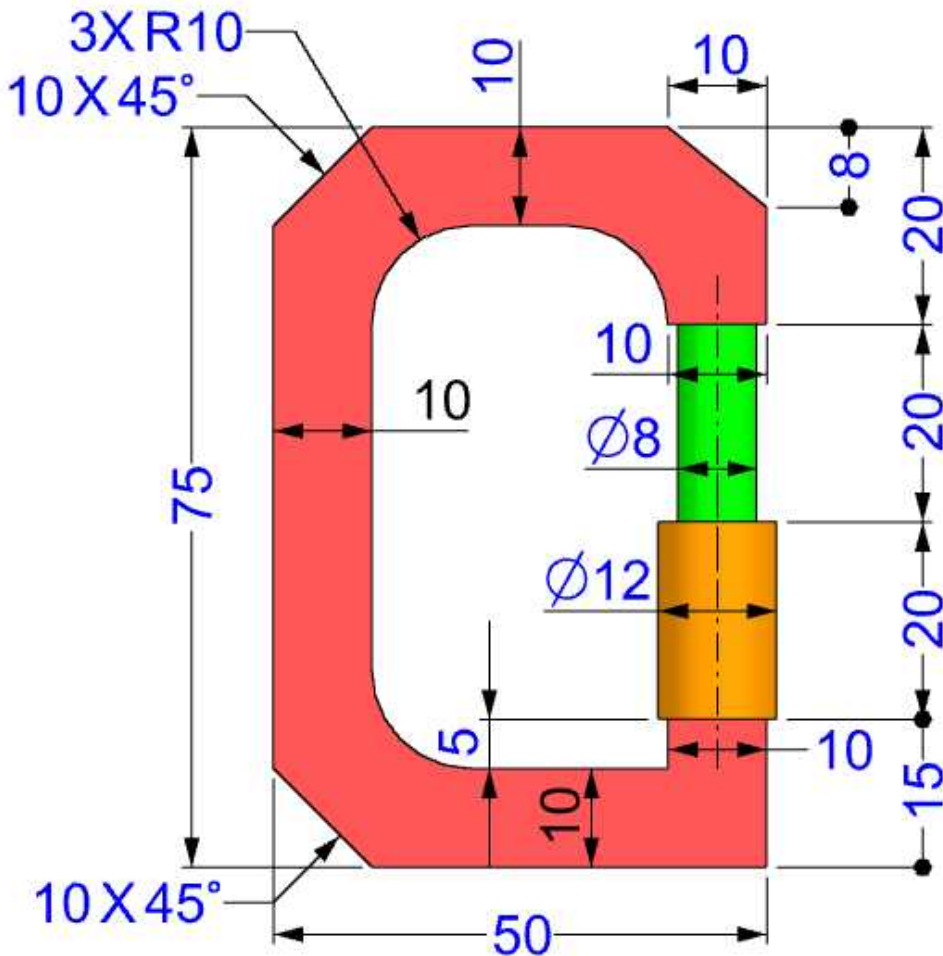
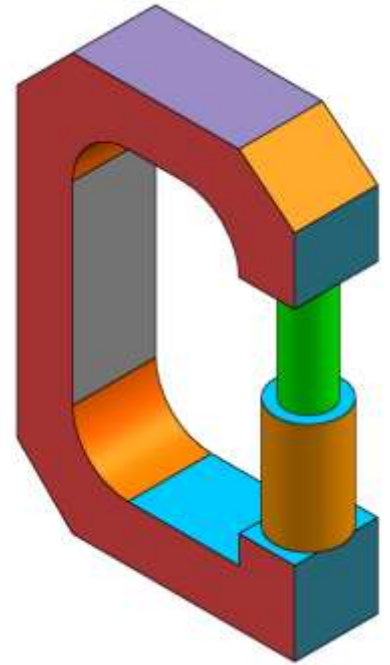
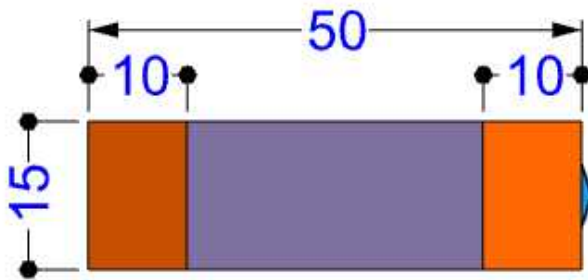


SECTION A-A

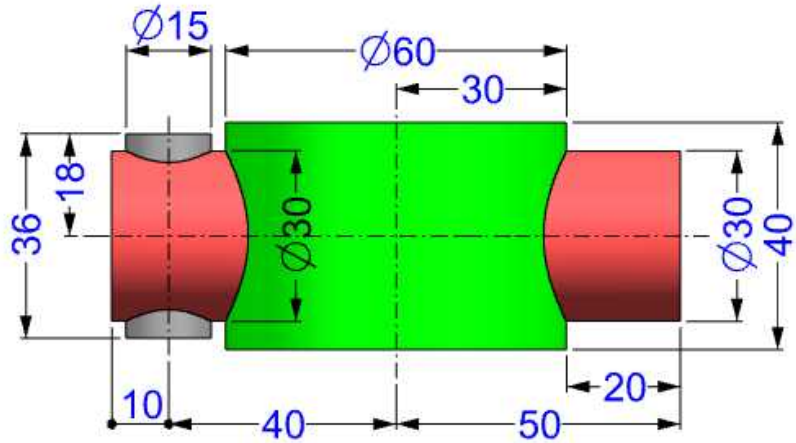
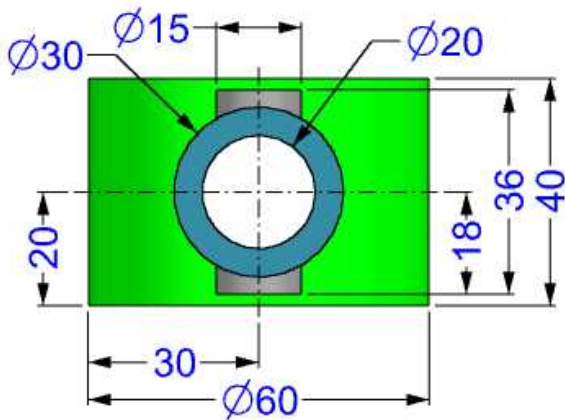
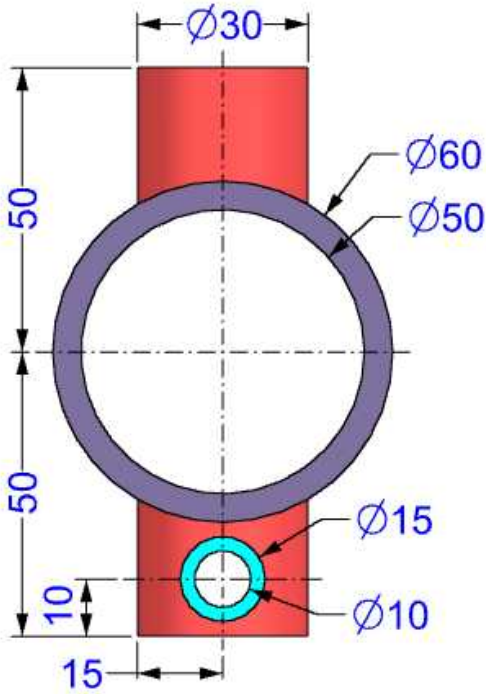
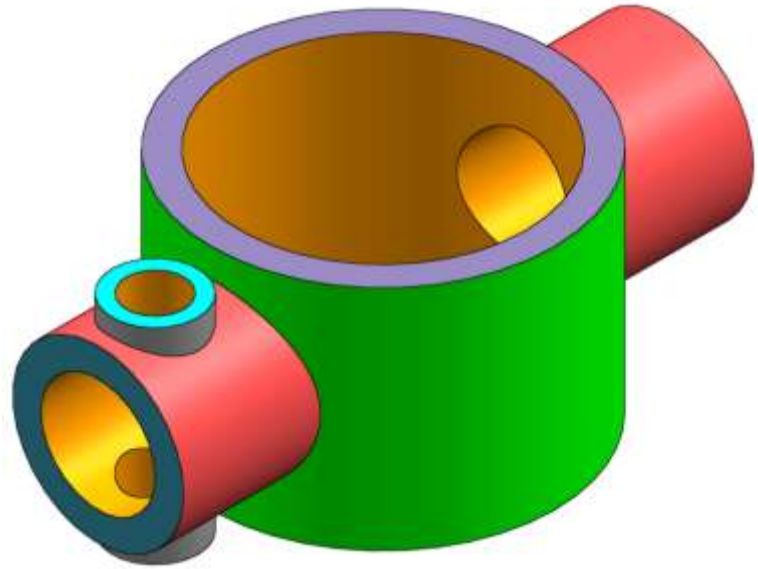
## EXERCISE-129



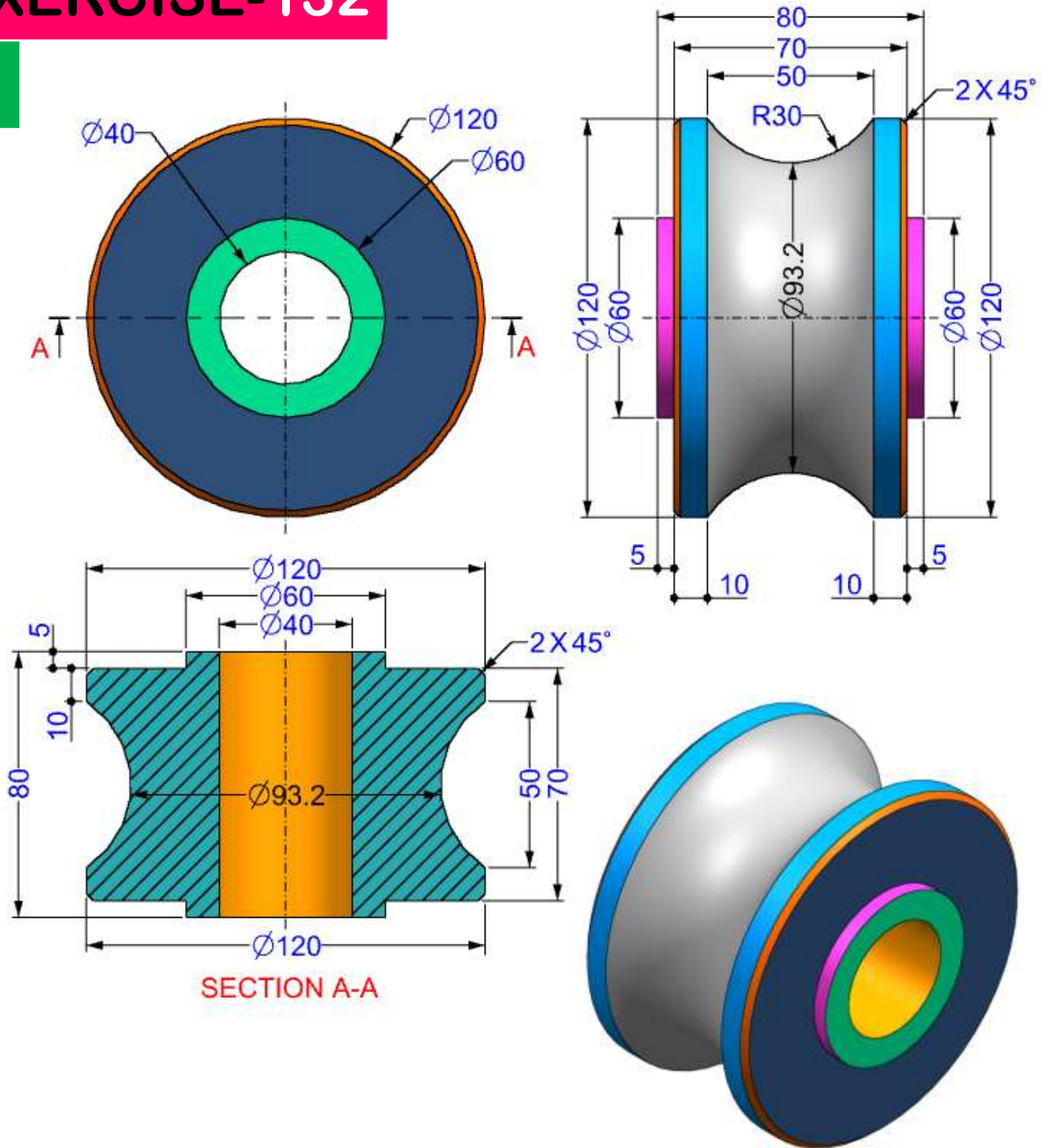
## EXERCISE-130



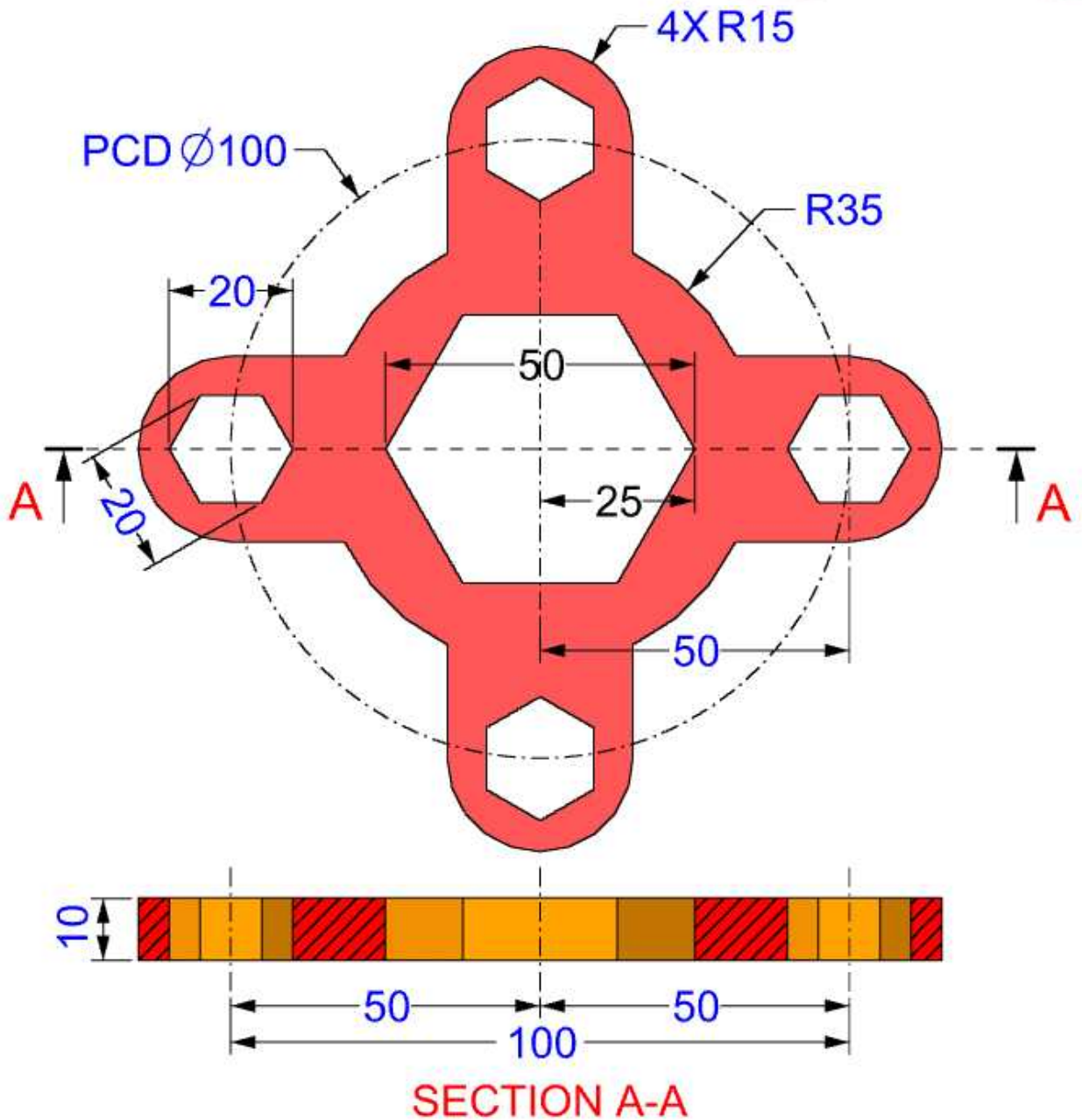
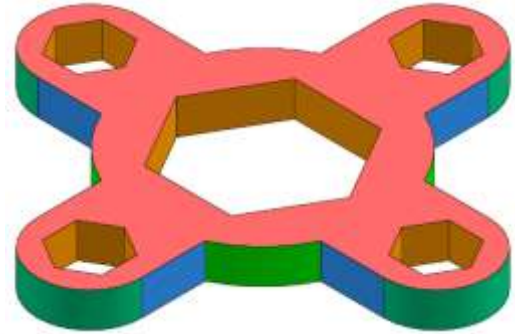
## EXERCISE-131



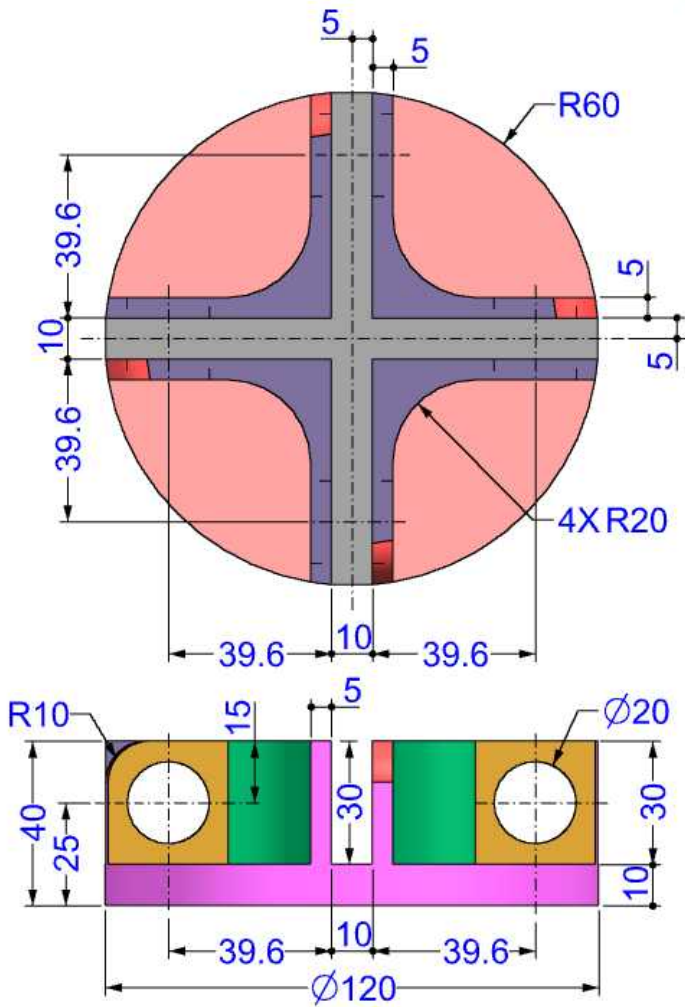
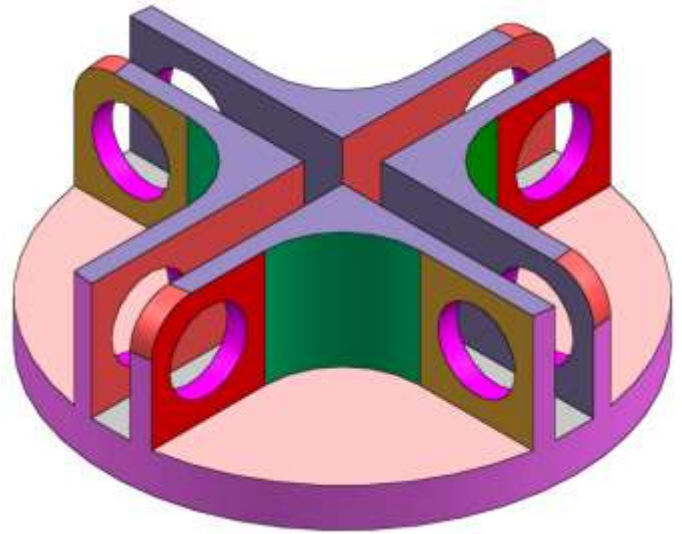
## EXERCISE-132

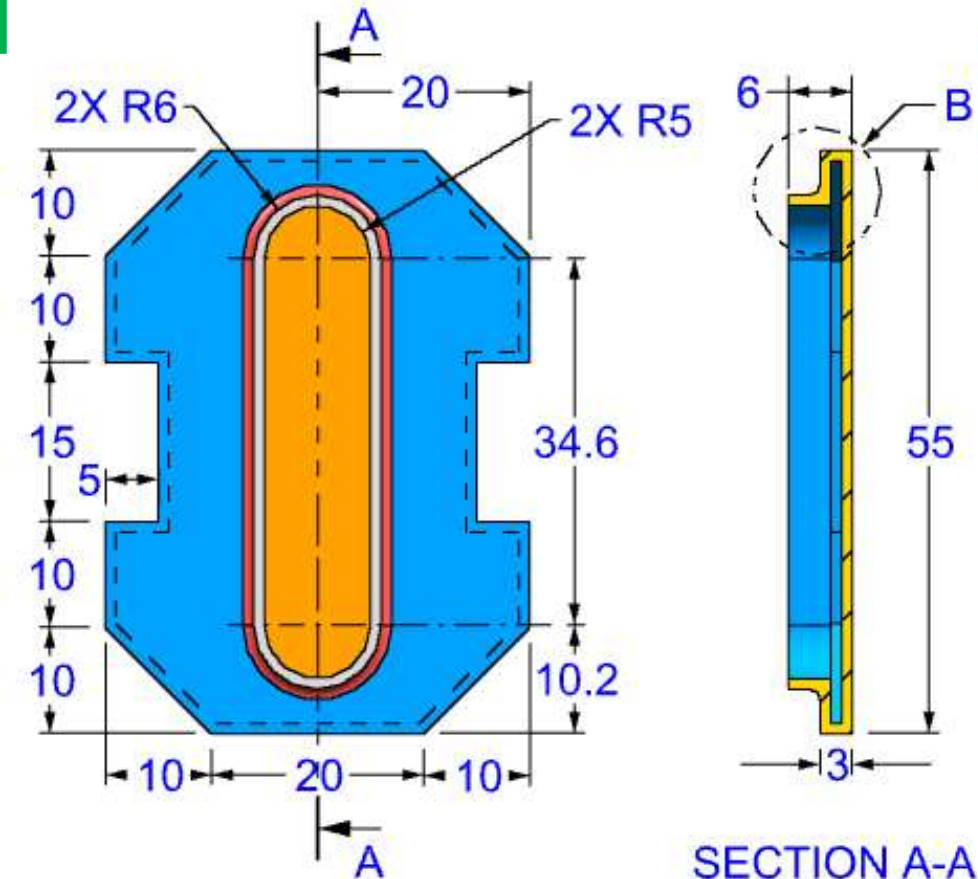
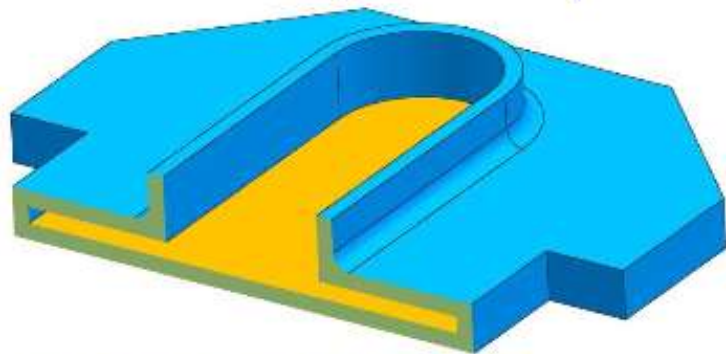


## EXERCISE-133



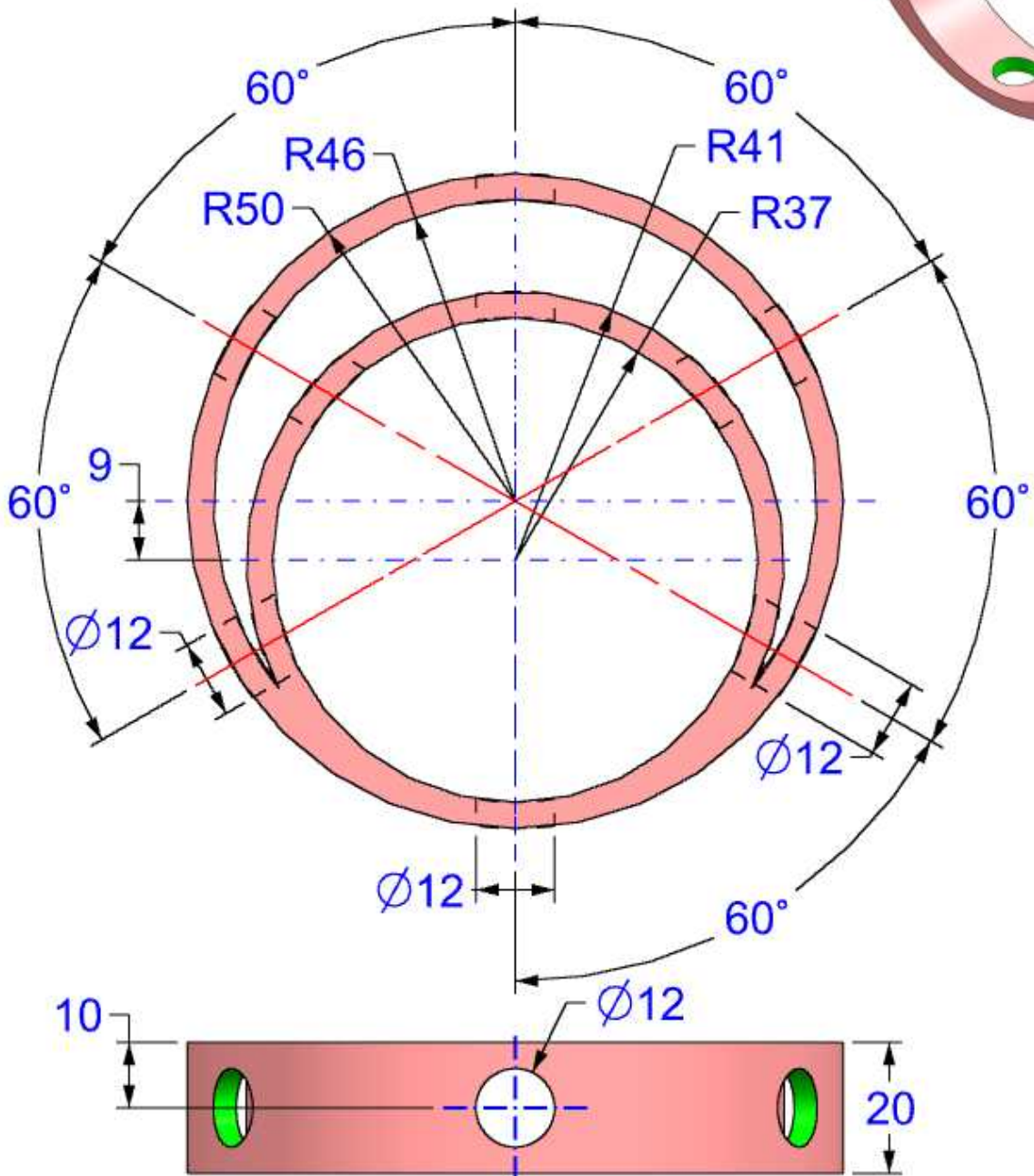
## EXERCISE-134



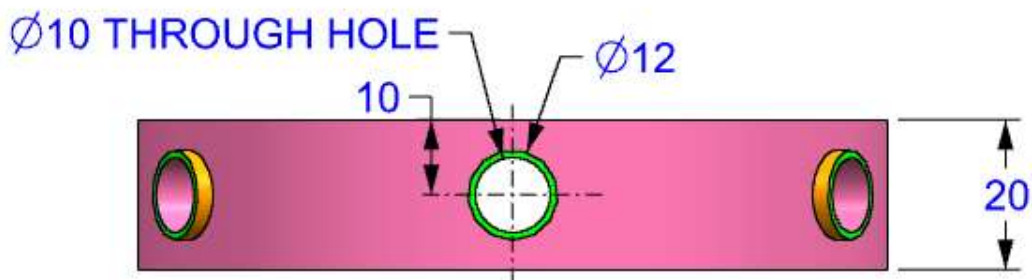
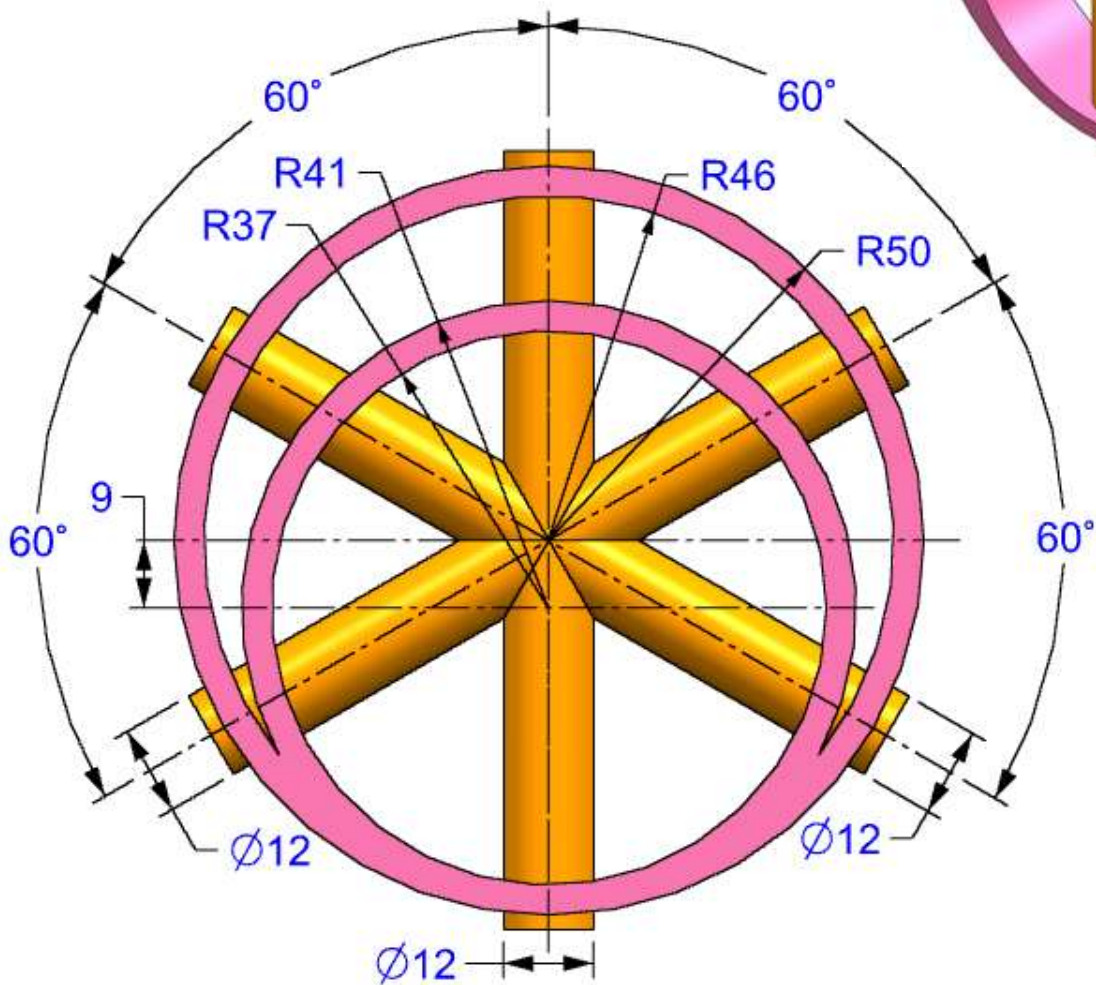
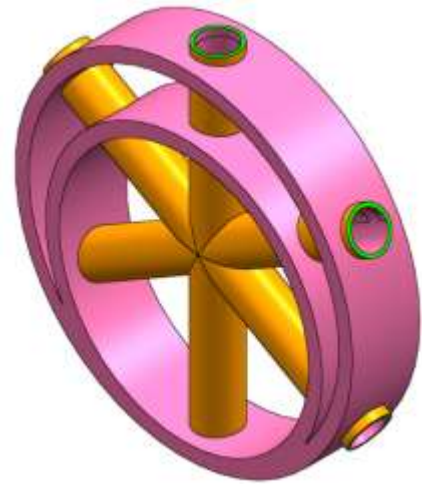
**EXERCISE-135**SECTION A-A  
(SCALE 1:1)

SHELL THICKNESS = 1MM  
ALL INSIDE WALL THICKNESS

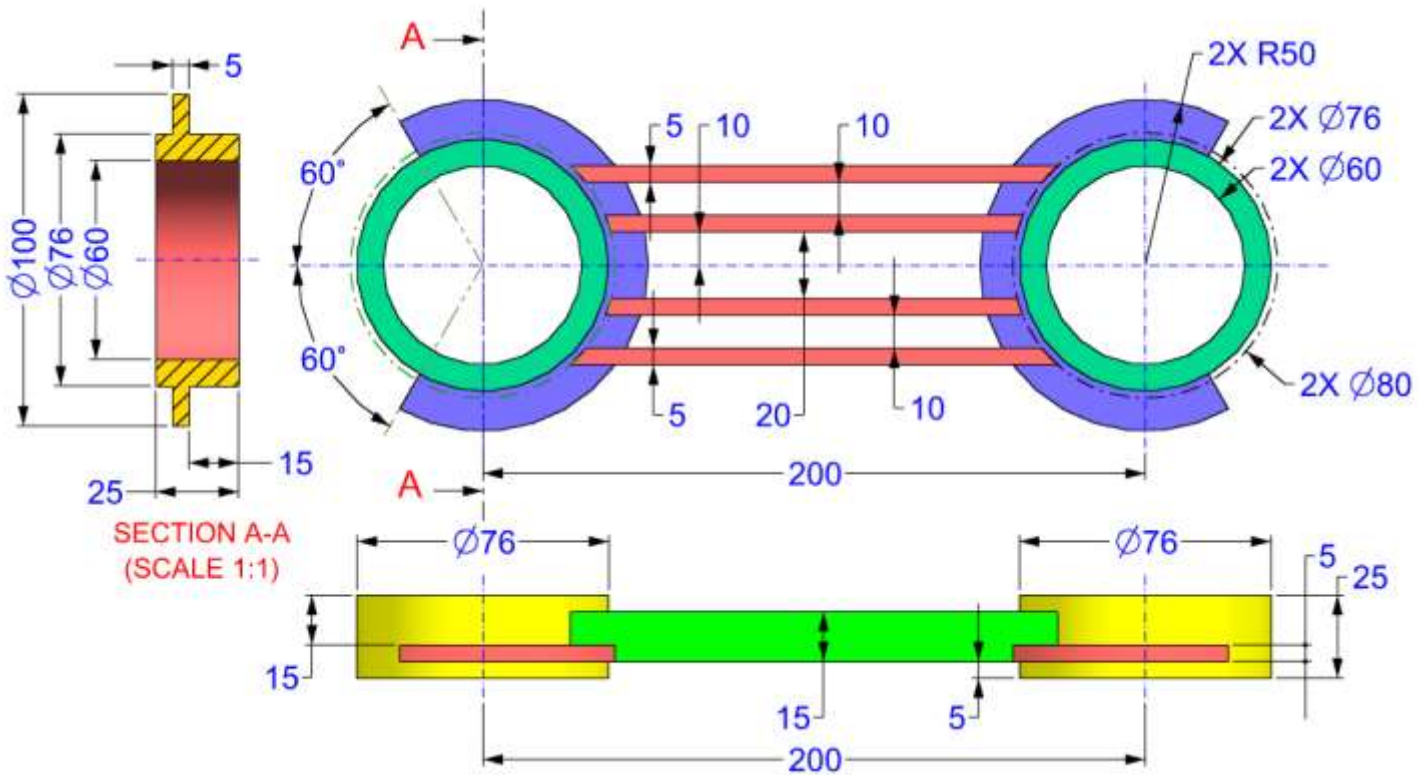
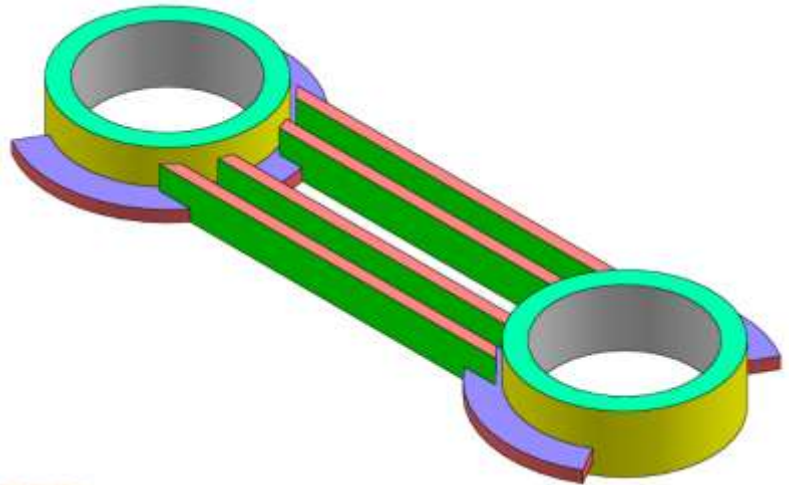
## EXERCISE-136



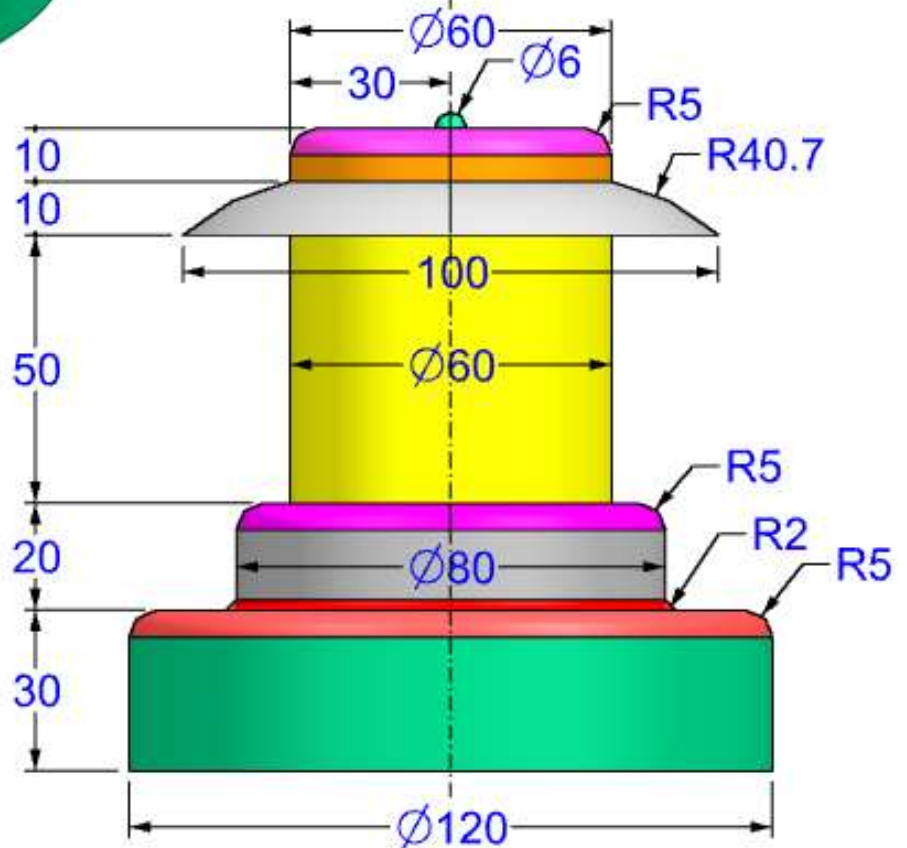
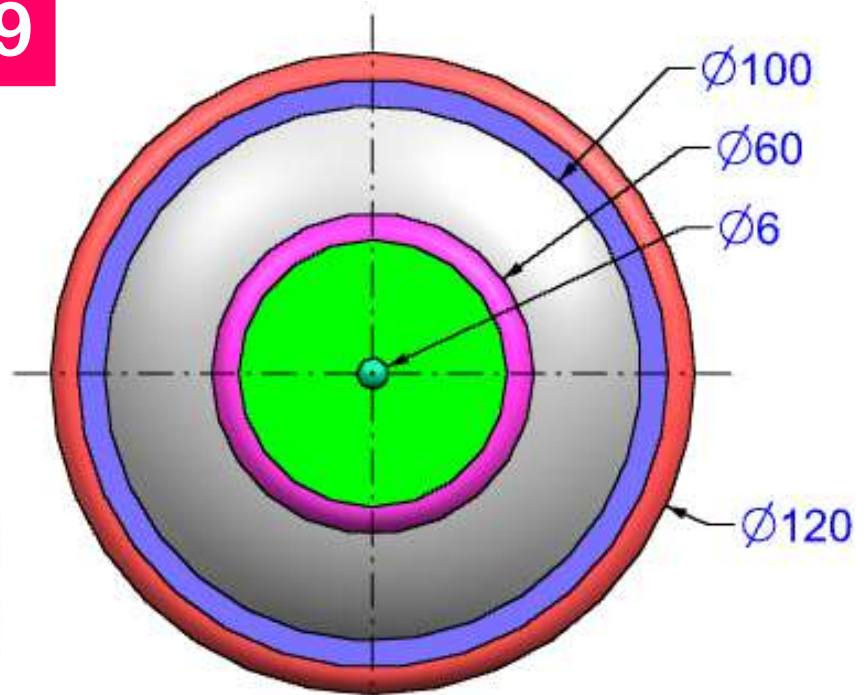
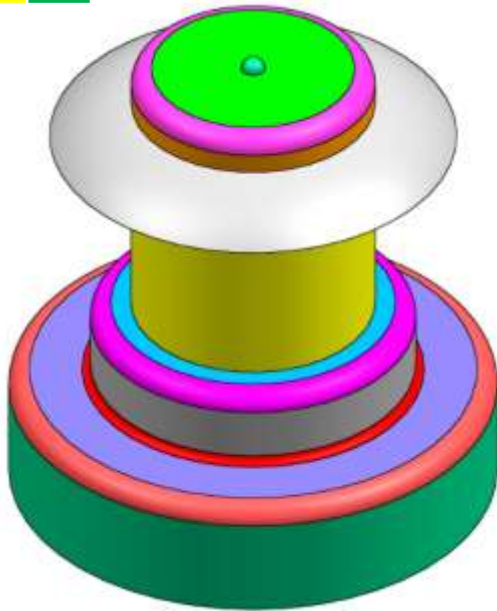
## EXERCISE-137



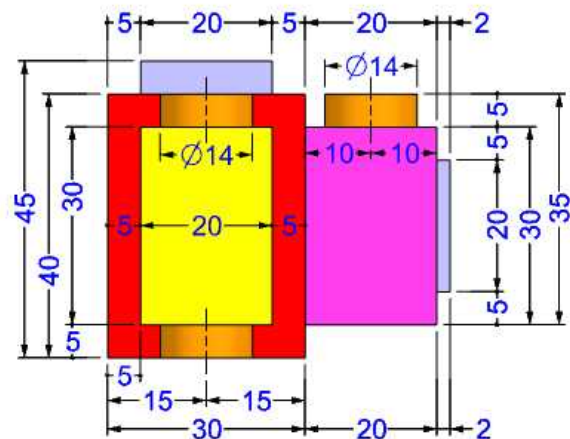
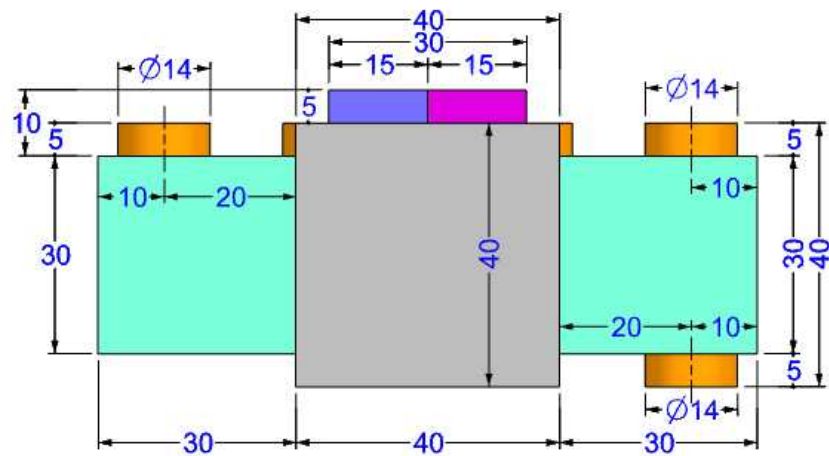
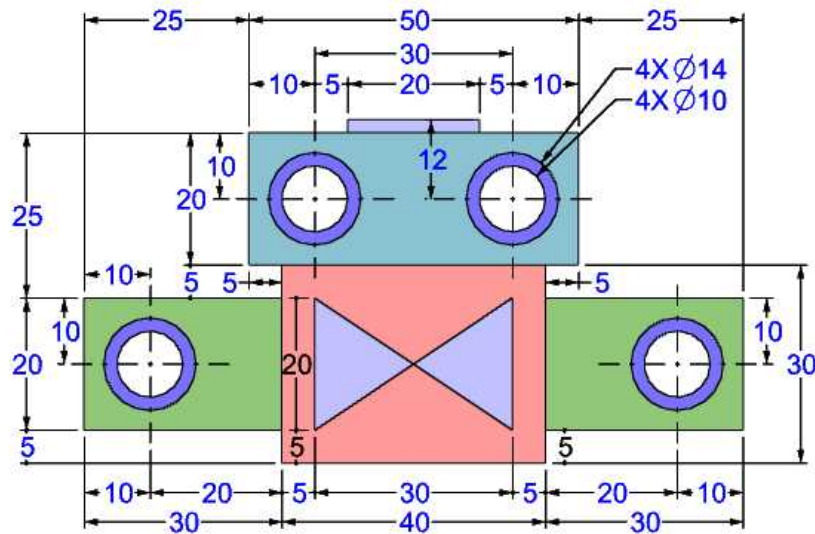
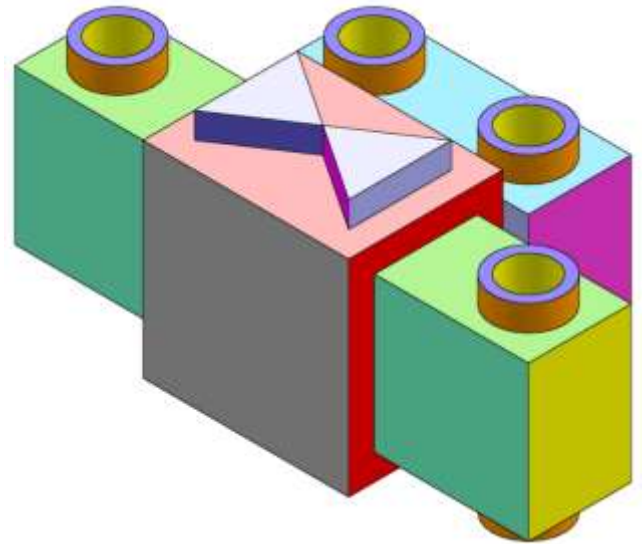
## EXERCISE-138



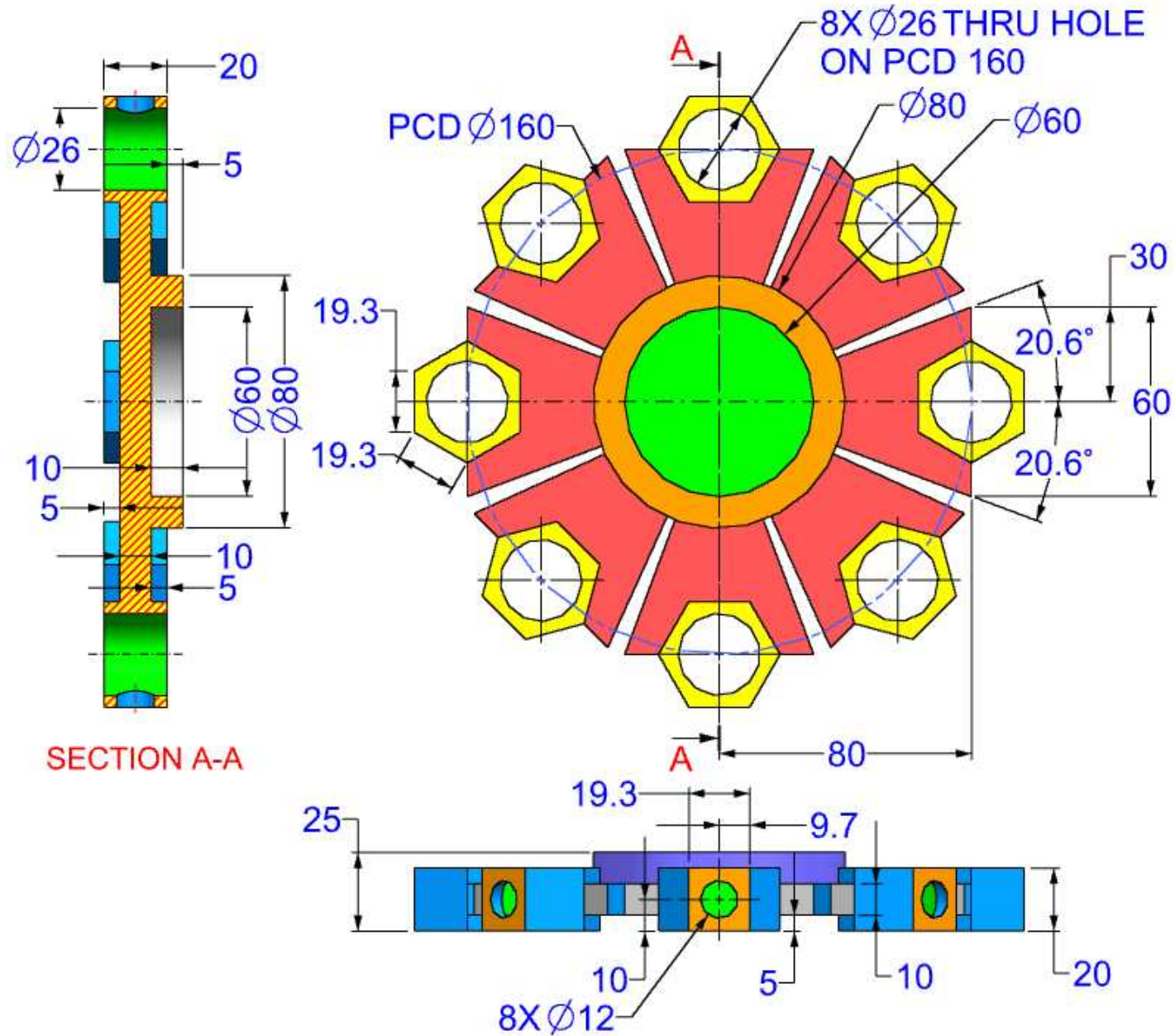
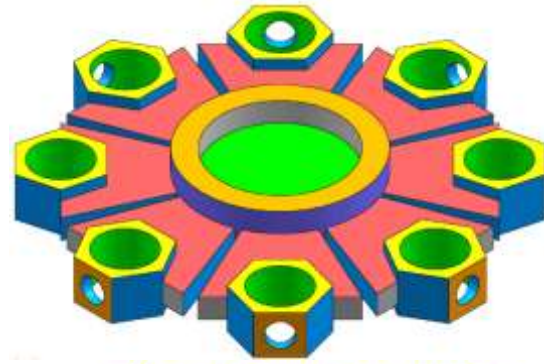
## EXERCISE-139



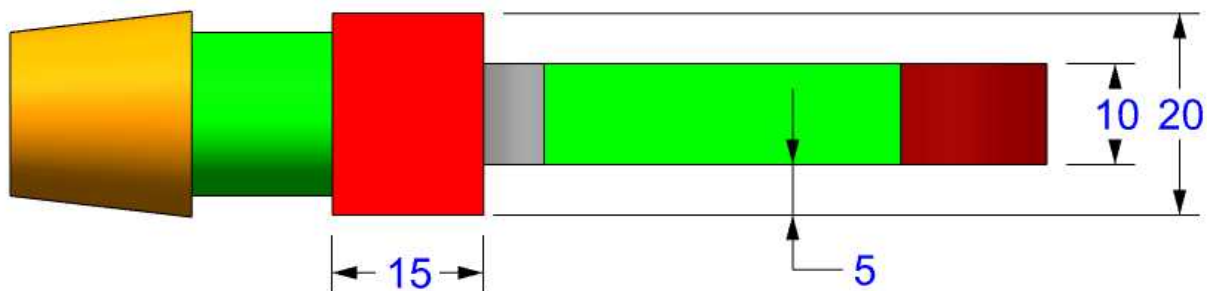
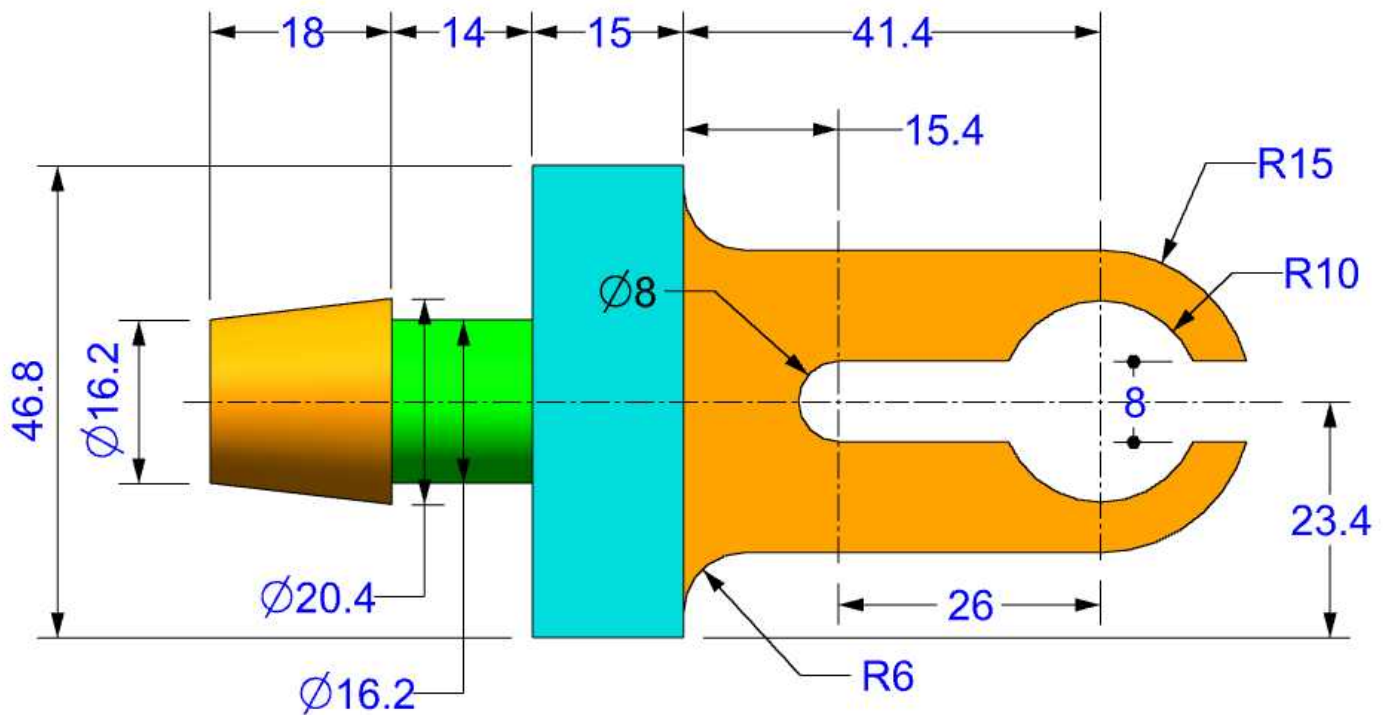
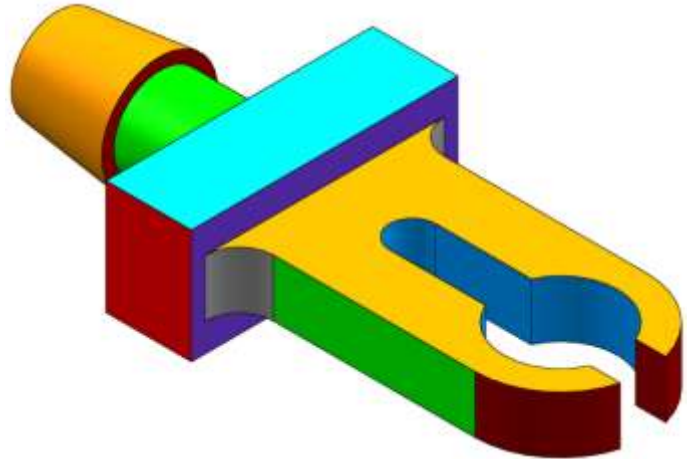
## EXERCISE-140



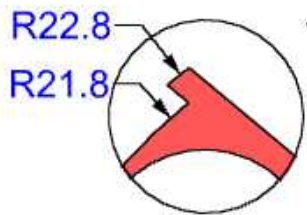
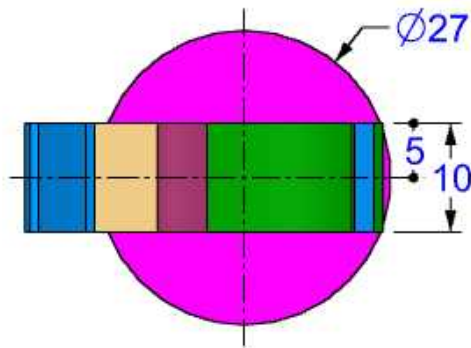
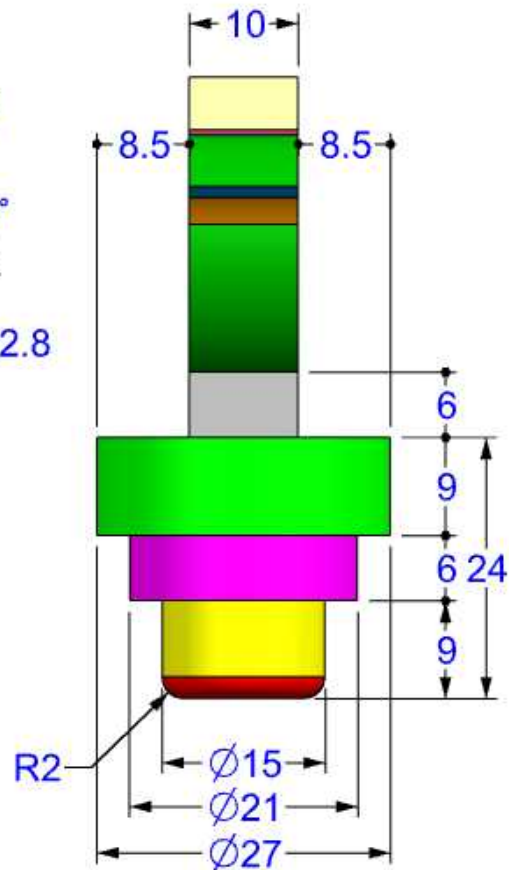
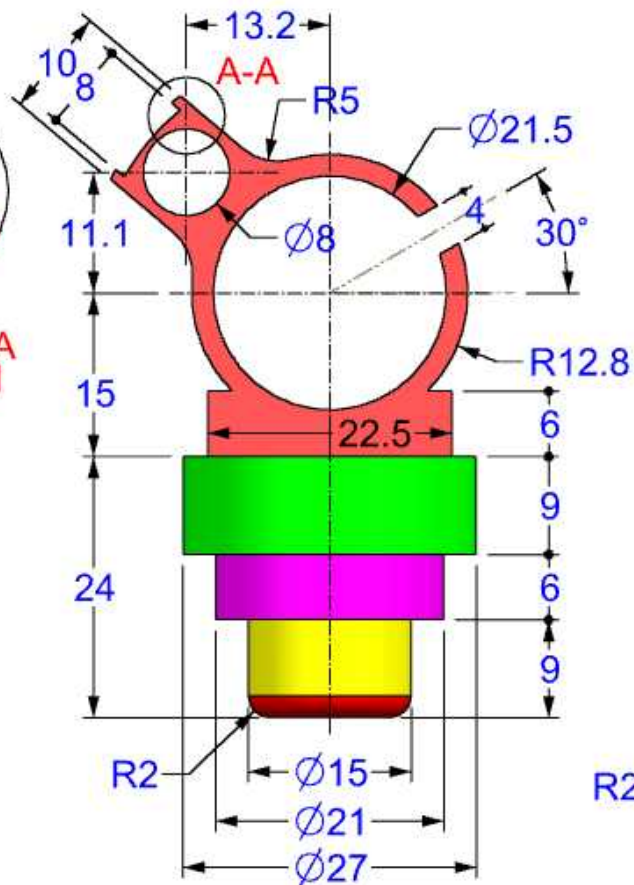
## EXERCISE-141



## EXERCISE-142

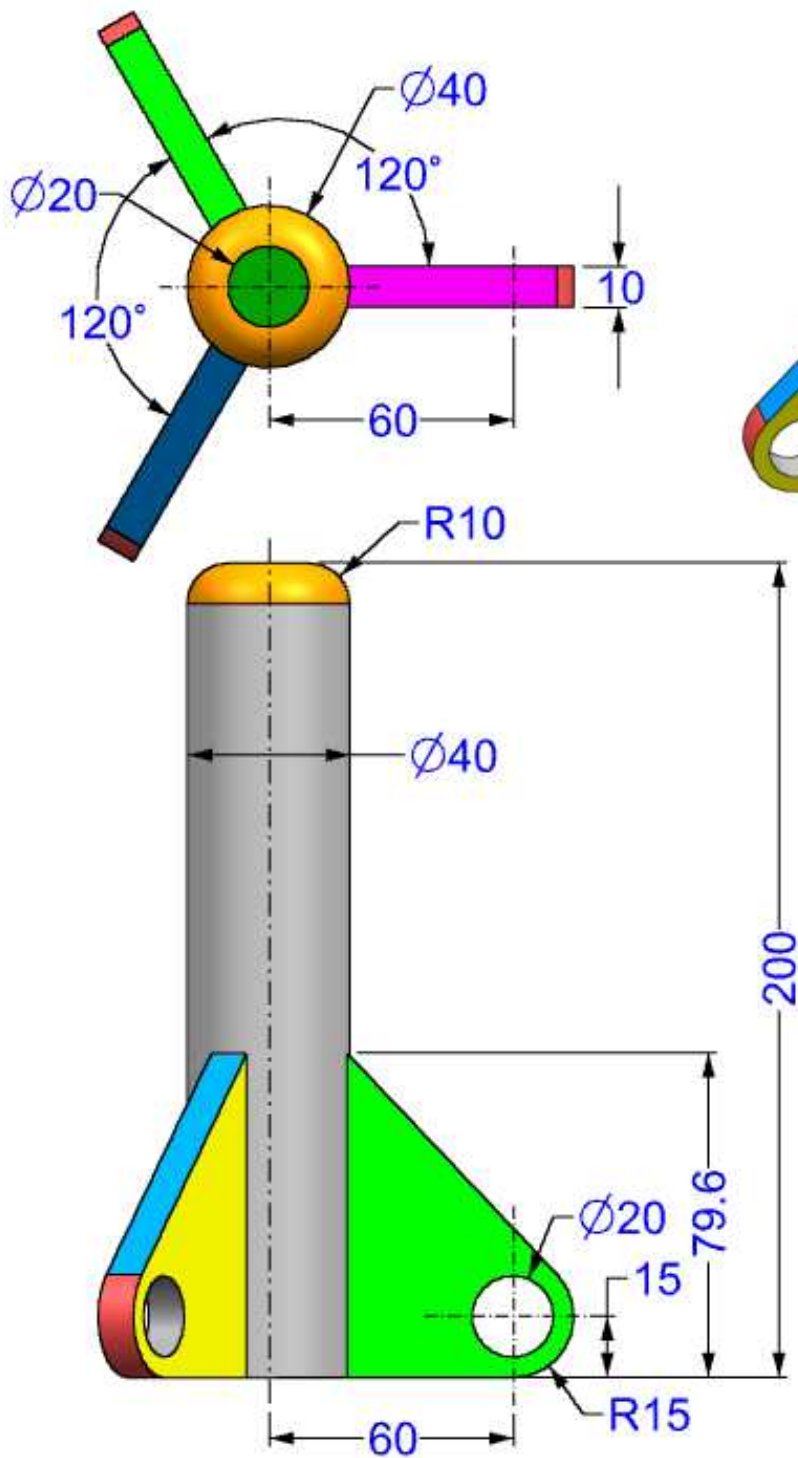


## EXERCISE-143

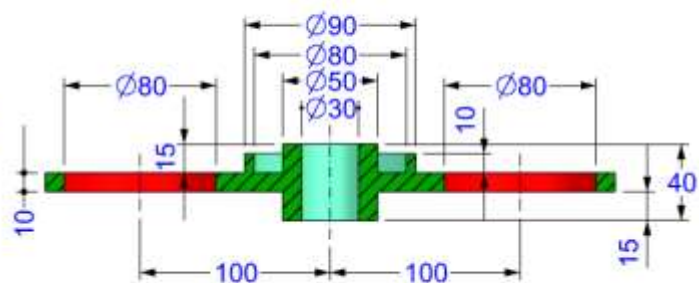
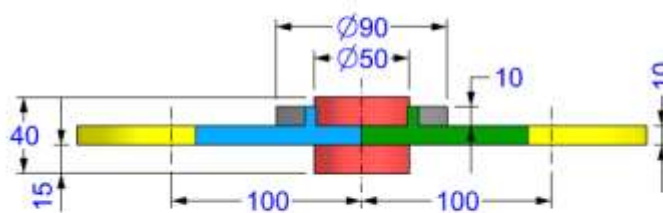
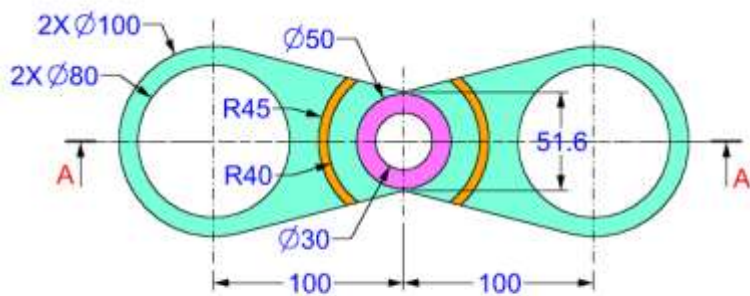
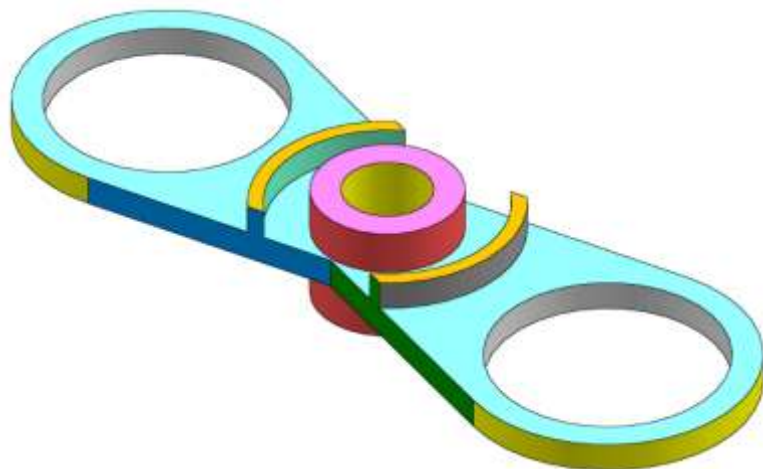
DETAIL A-A  
SCALE 5:1



## EXERCISE-145

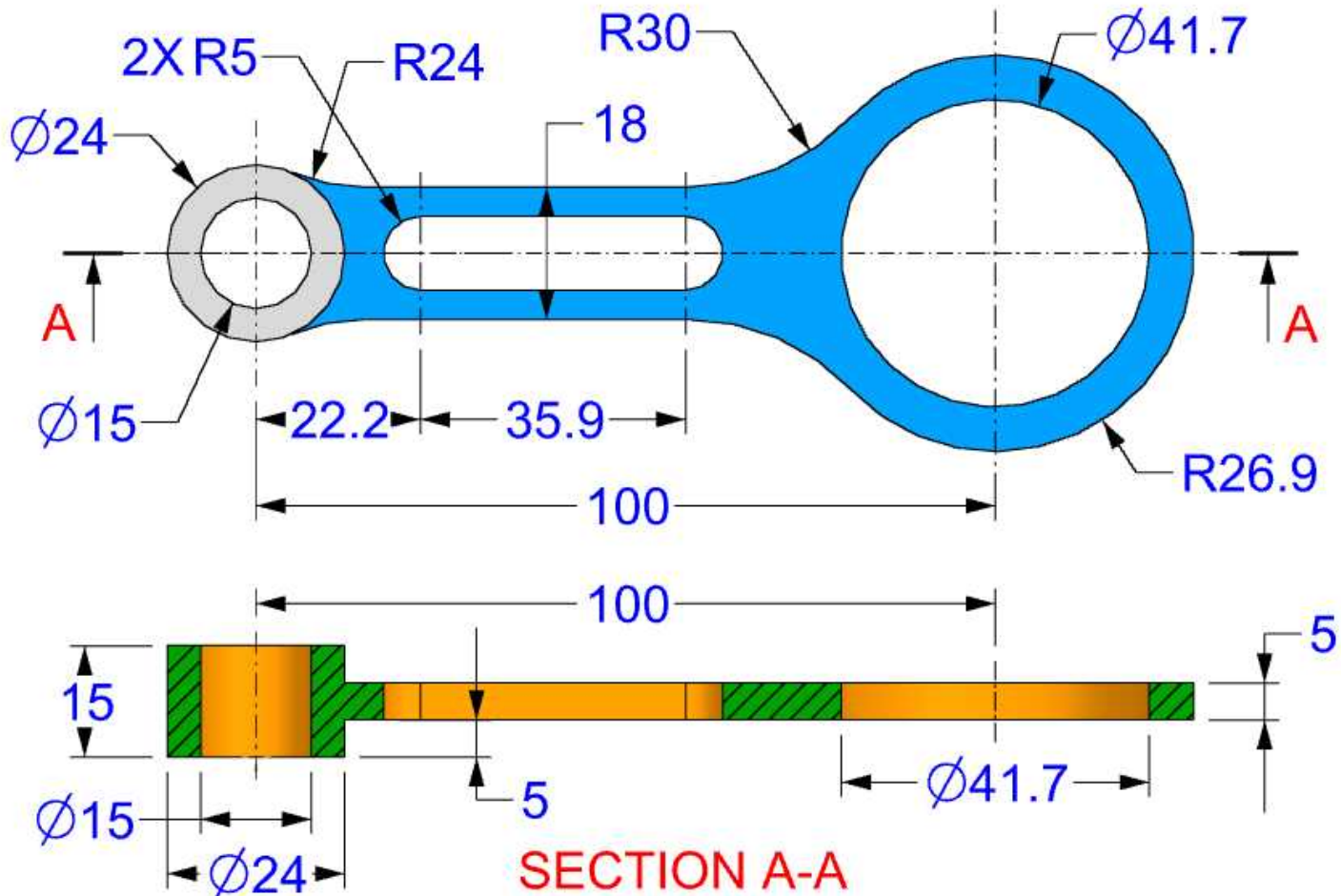
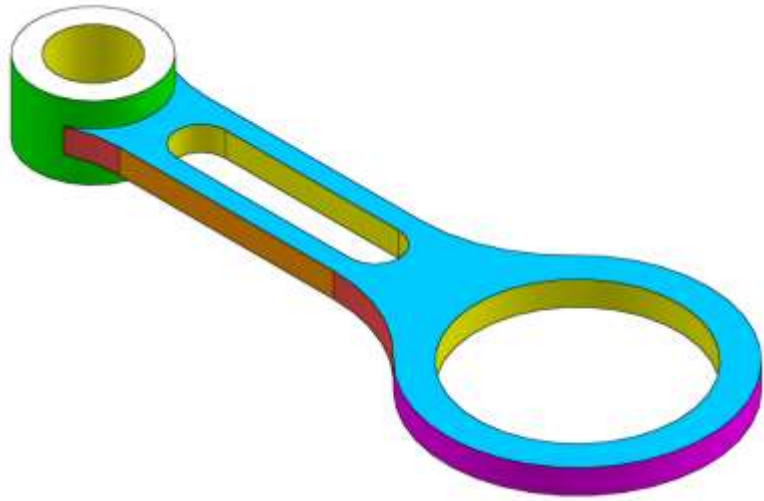


## EXERCISE-146

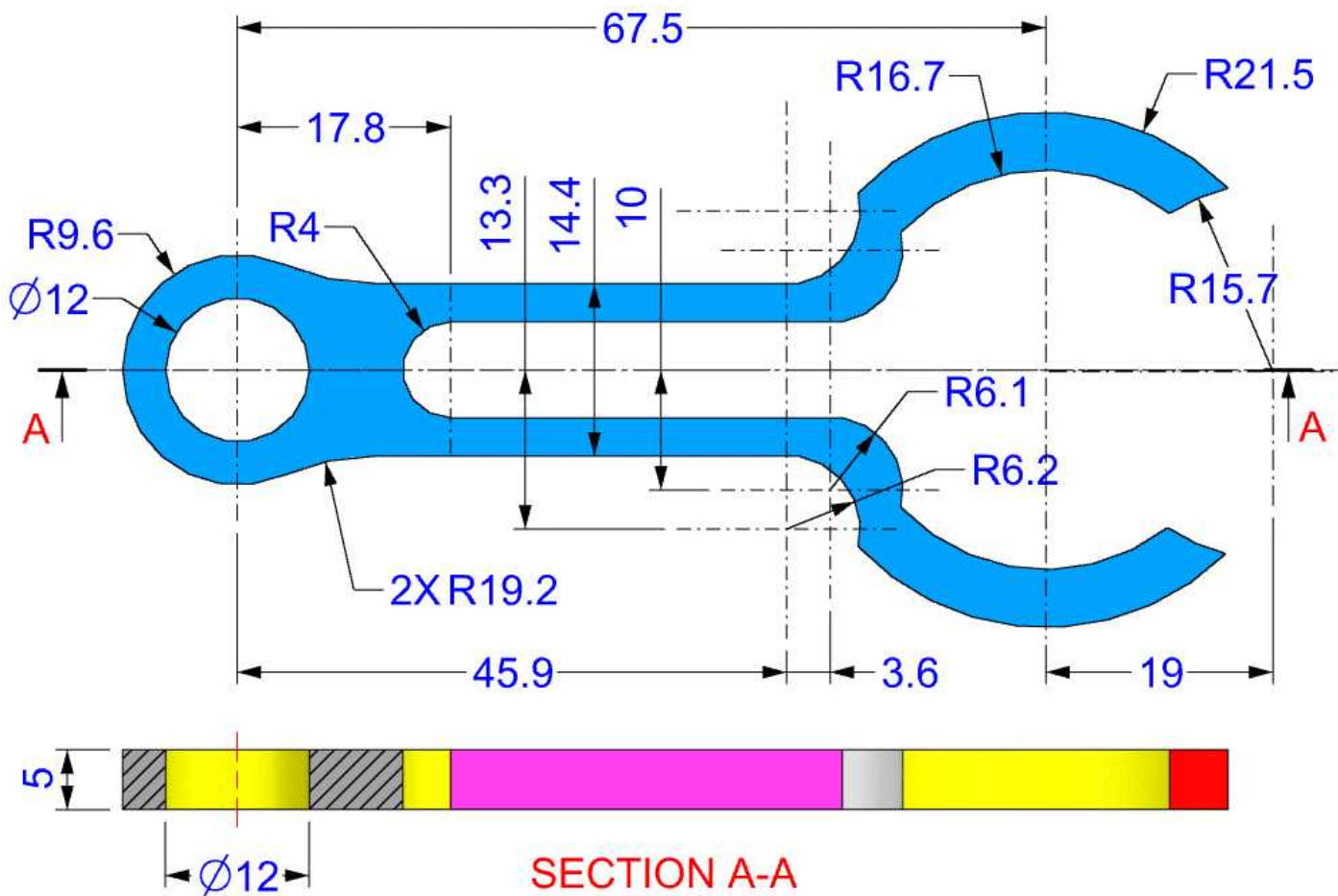
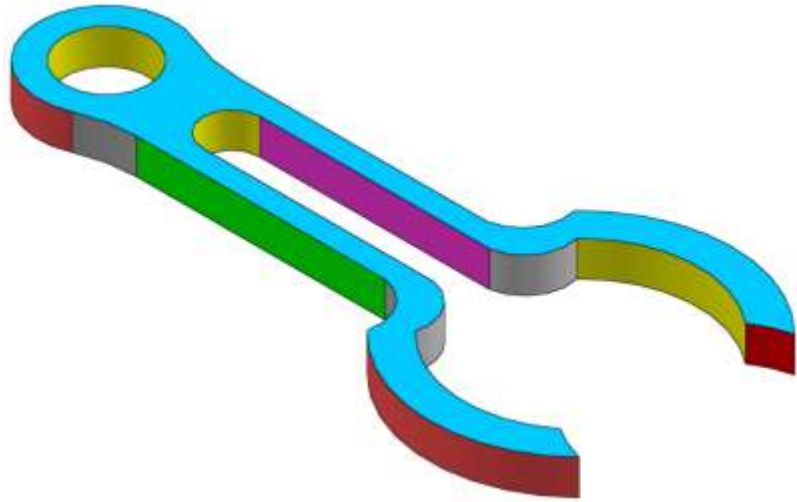


SECTION A-A

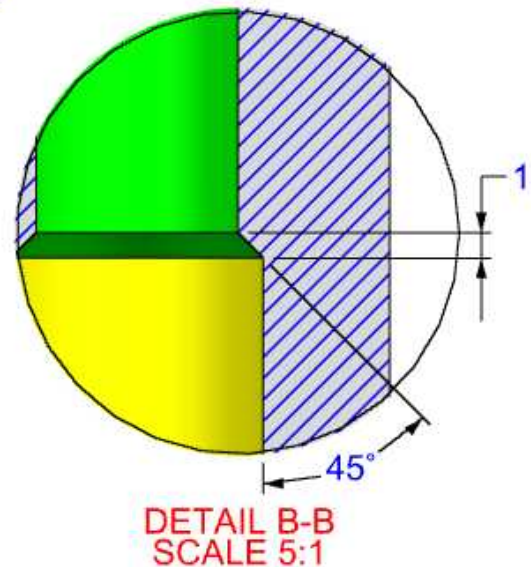
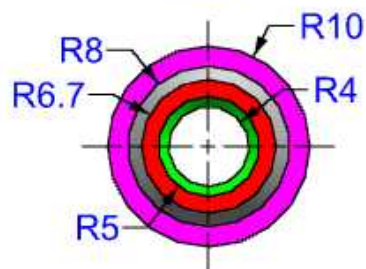
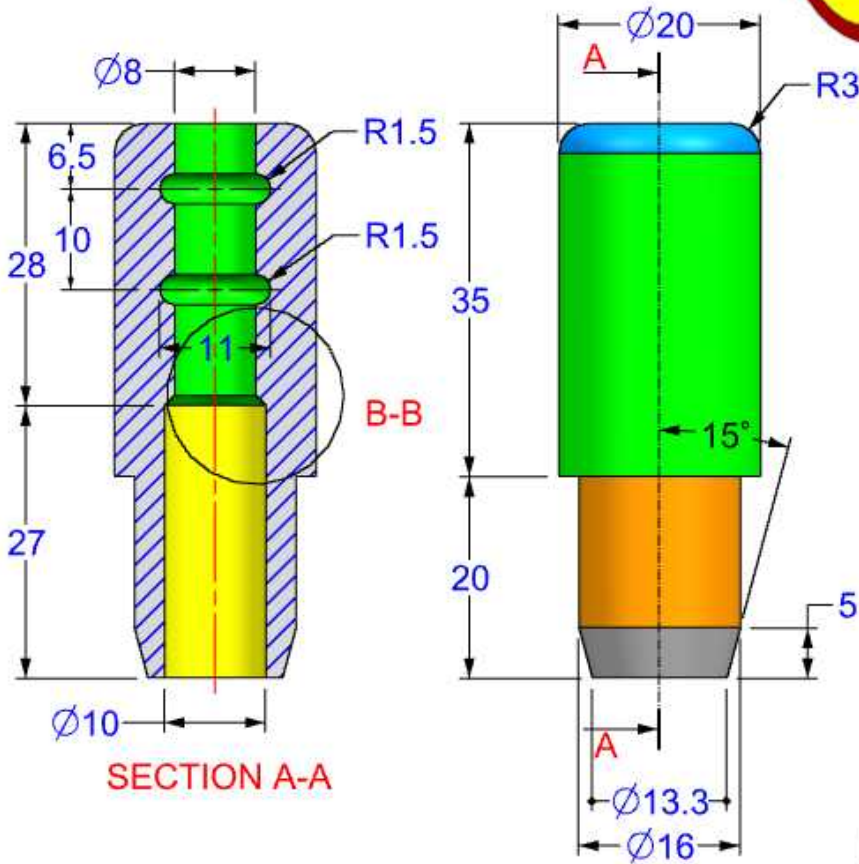
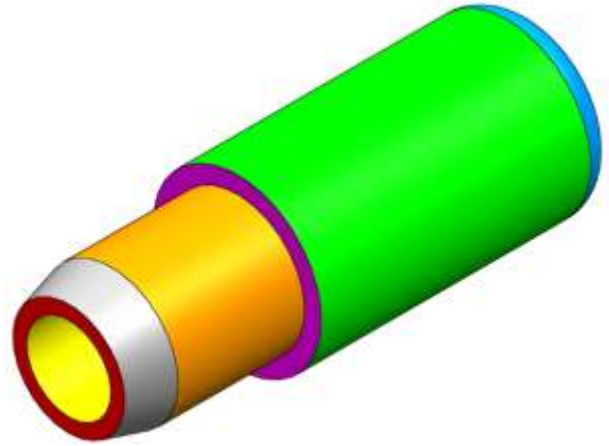
## EXERCISE-147



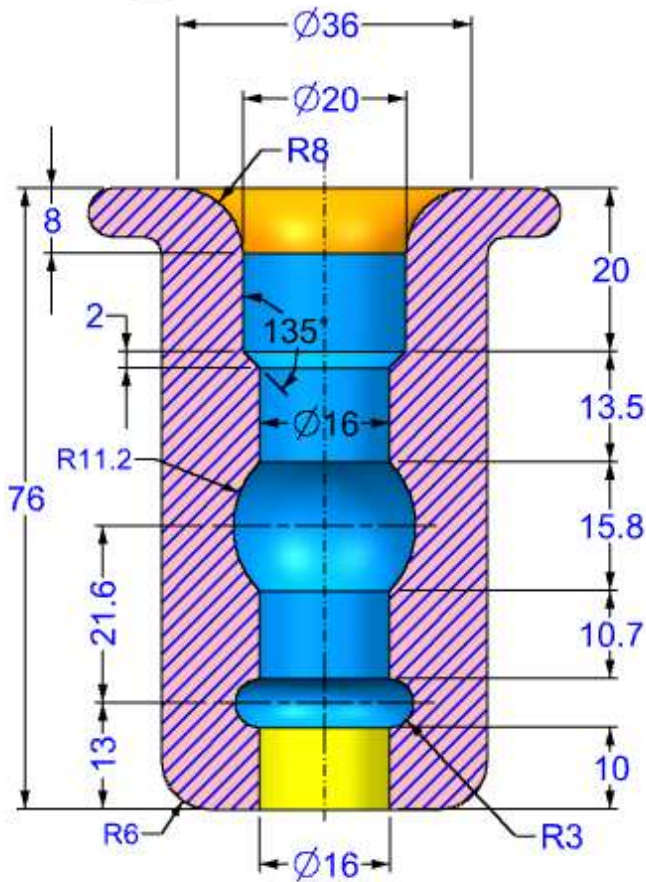
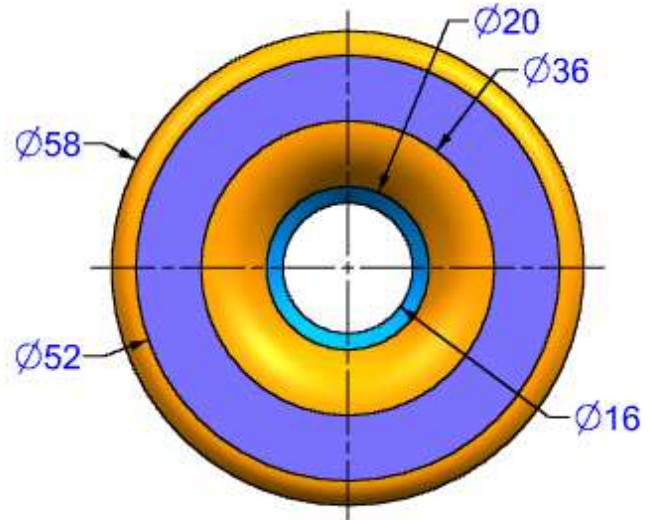
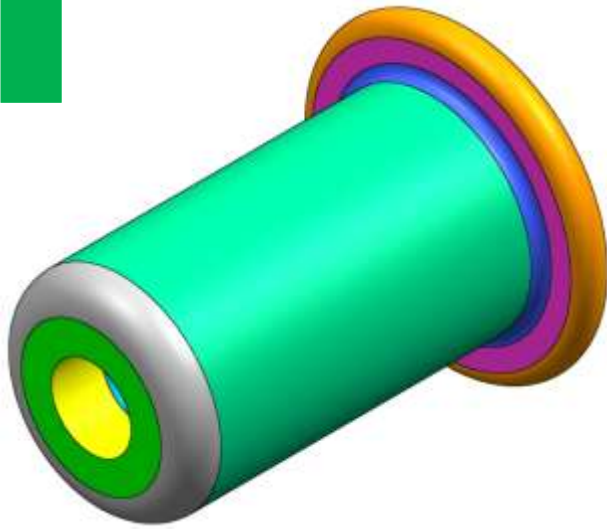
## EXERCISE-148



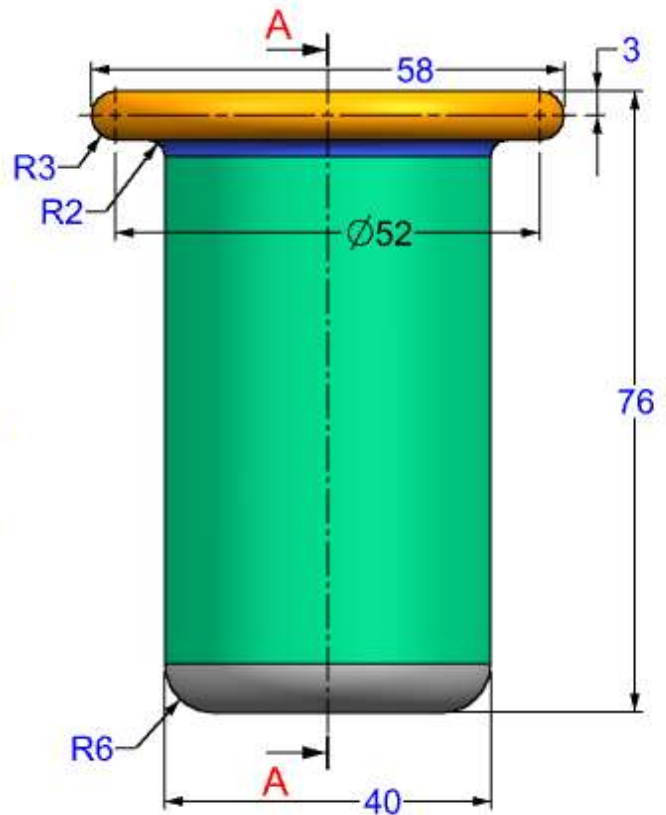
## EXERCISE-149



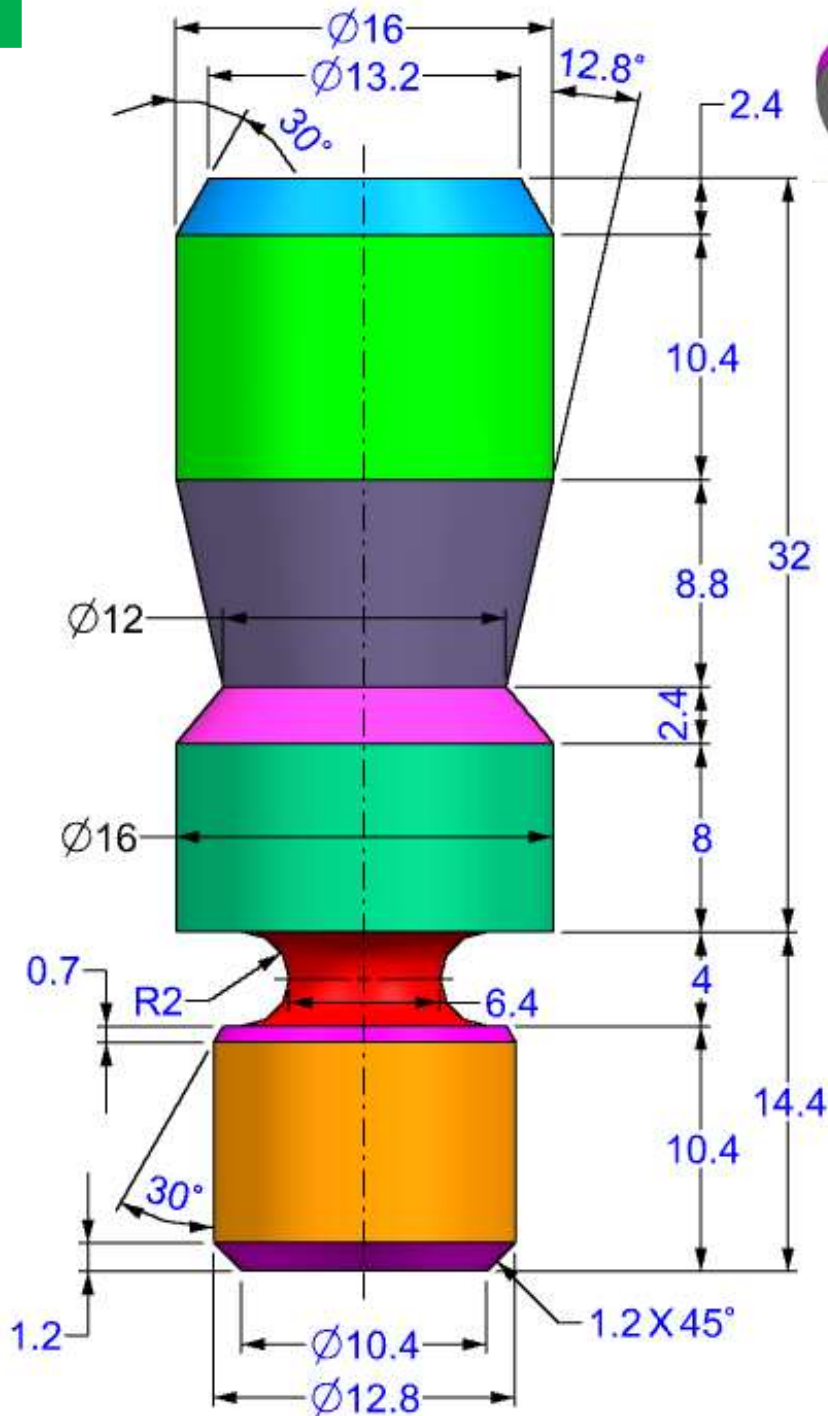
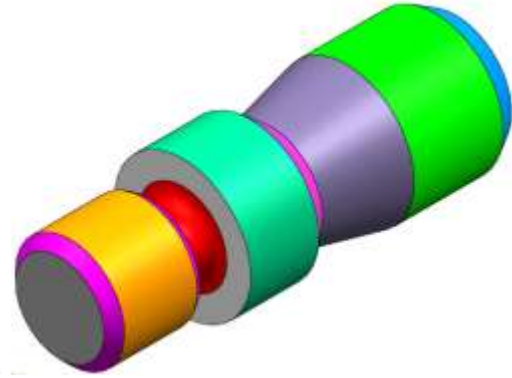
## EXERCISE-150



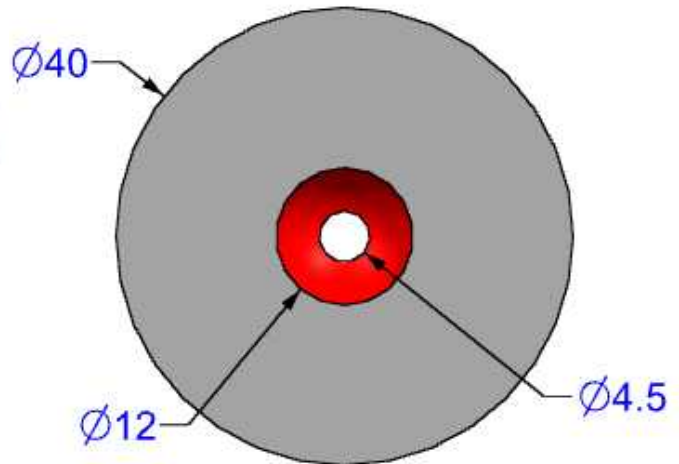
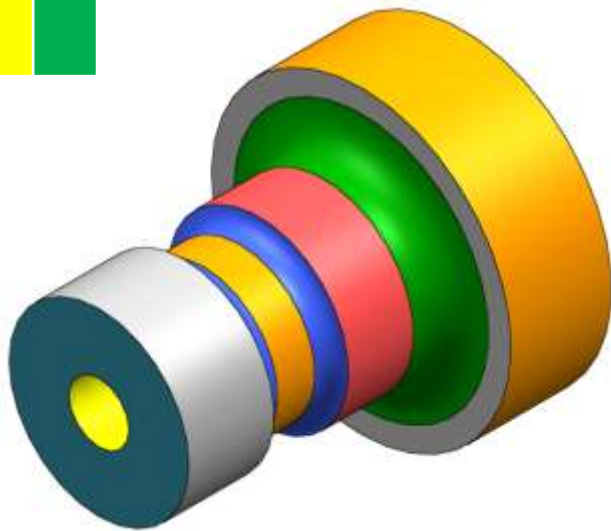
SECTION A-A



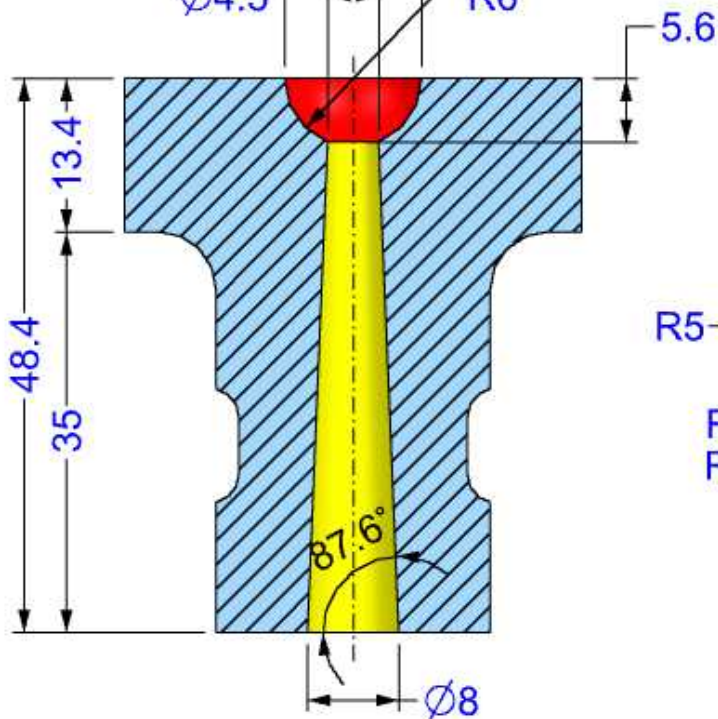
## EXERCISE-151



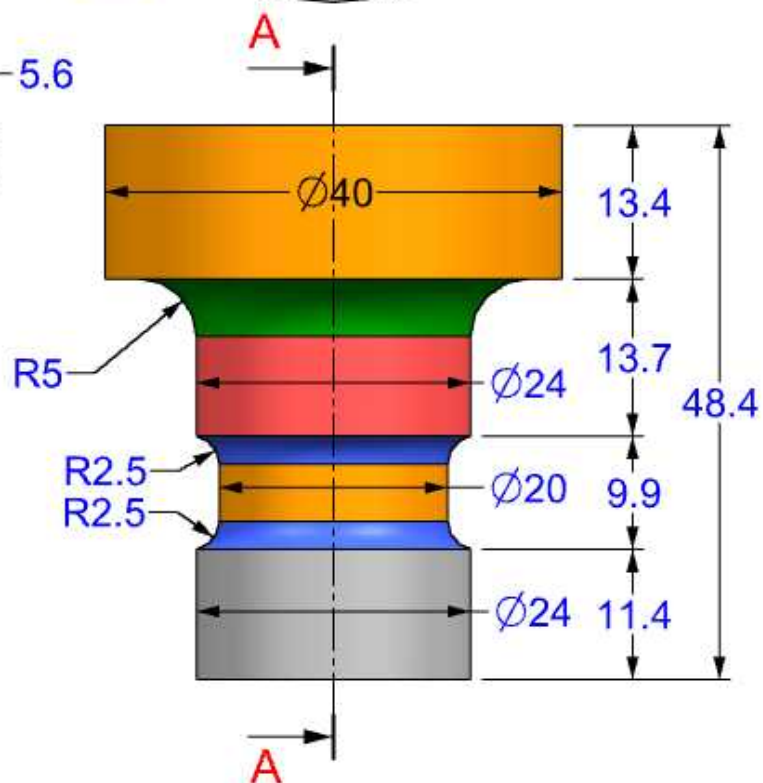
## EXERCISE-152



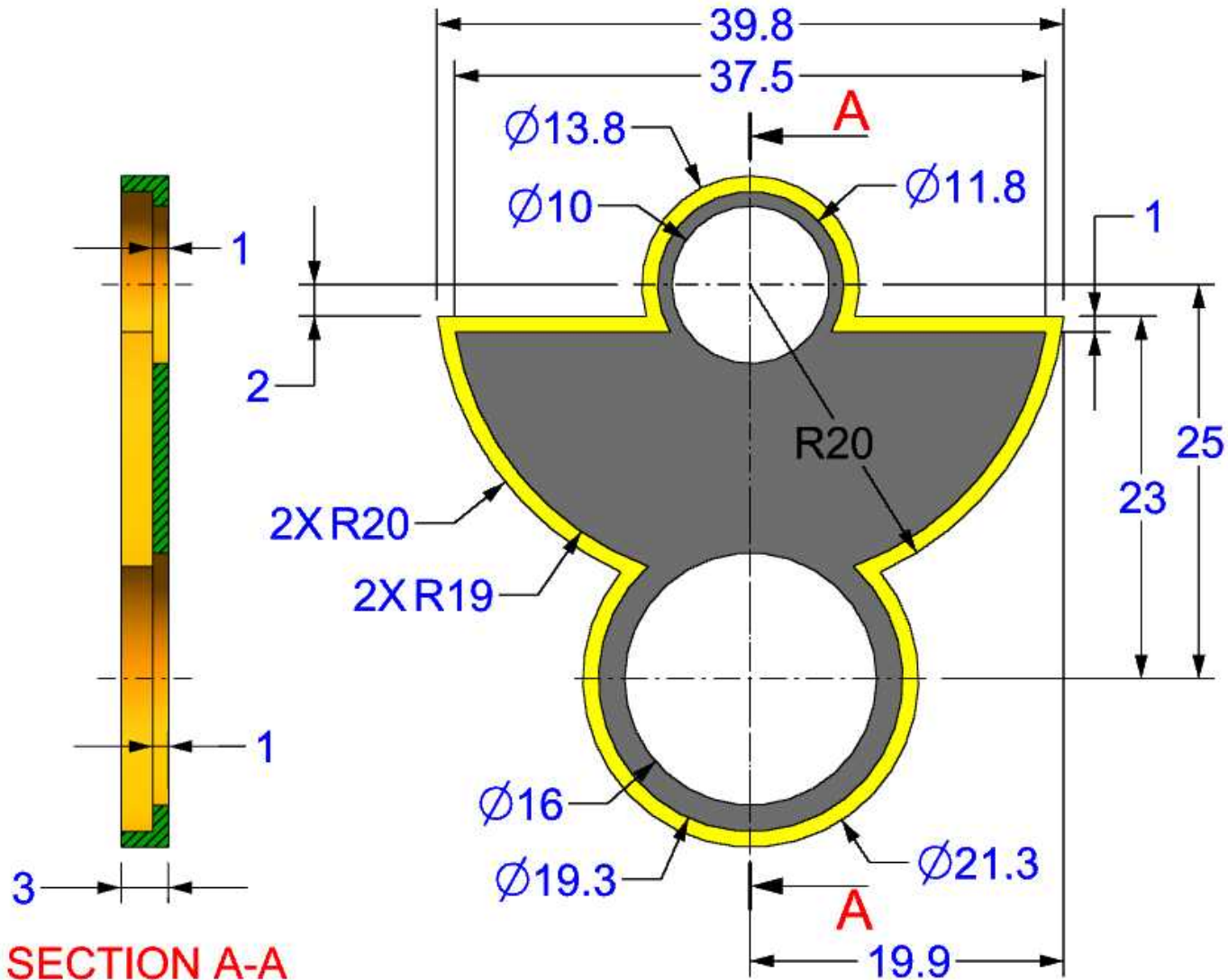
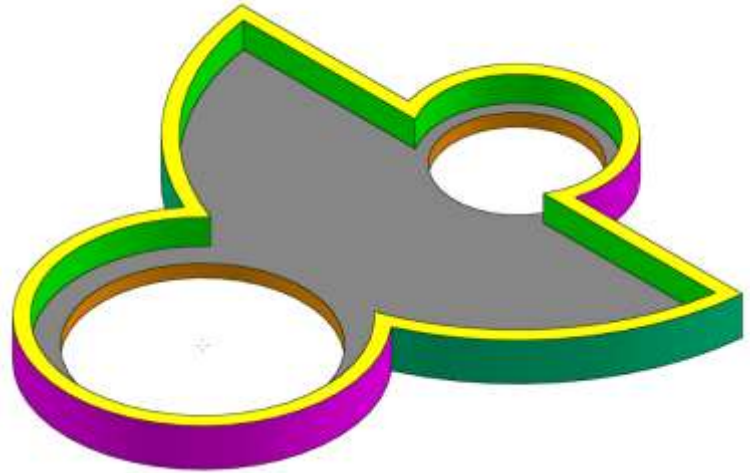
$\varnothing 12$   
 $\varnothing 4.5$  R6



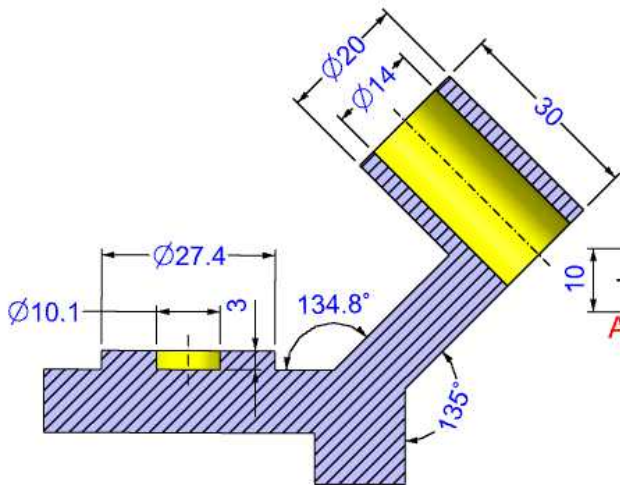
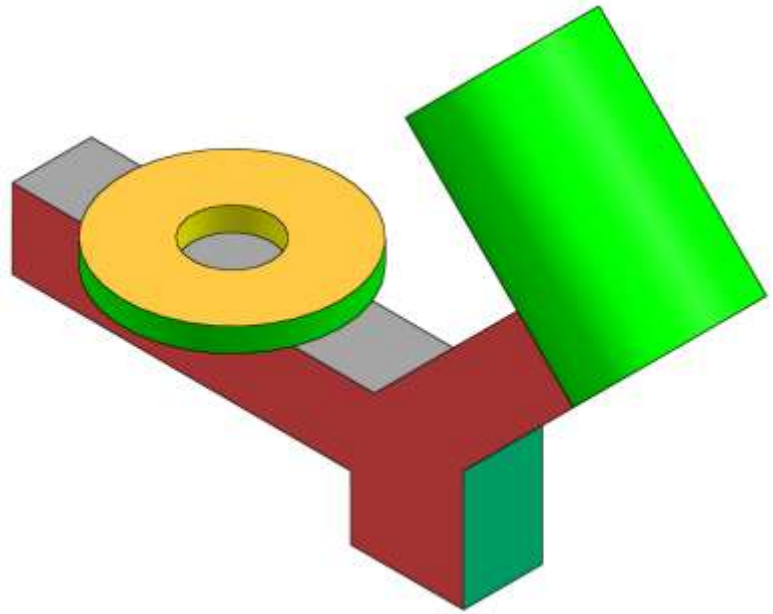
SECTION A-A



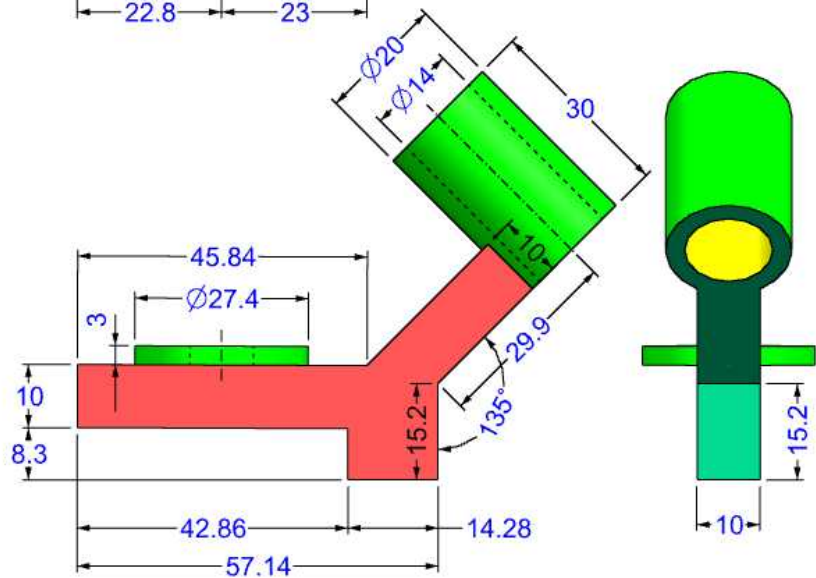
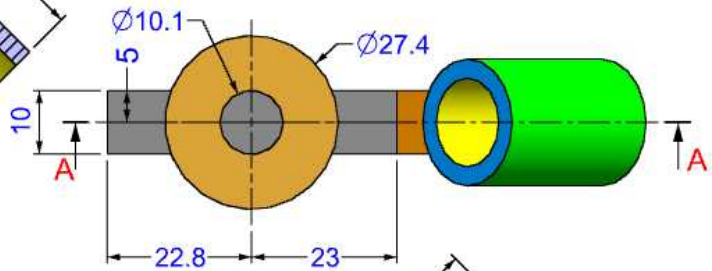
## EXERCISE-153



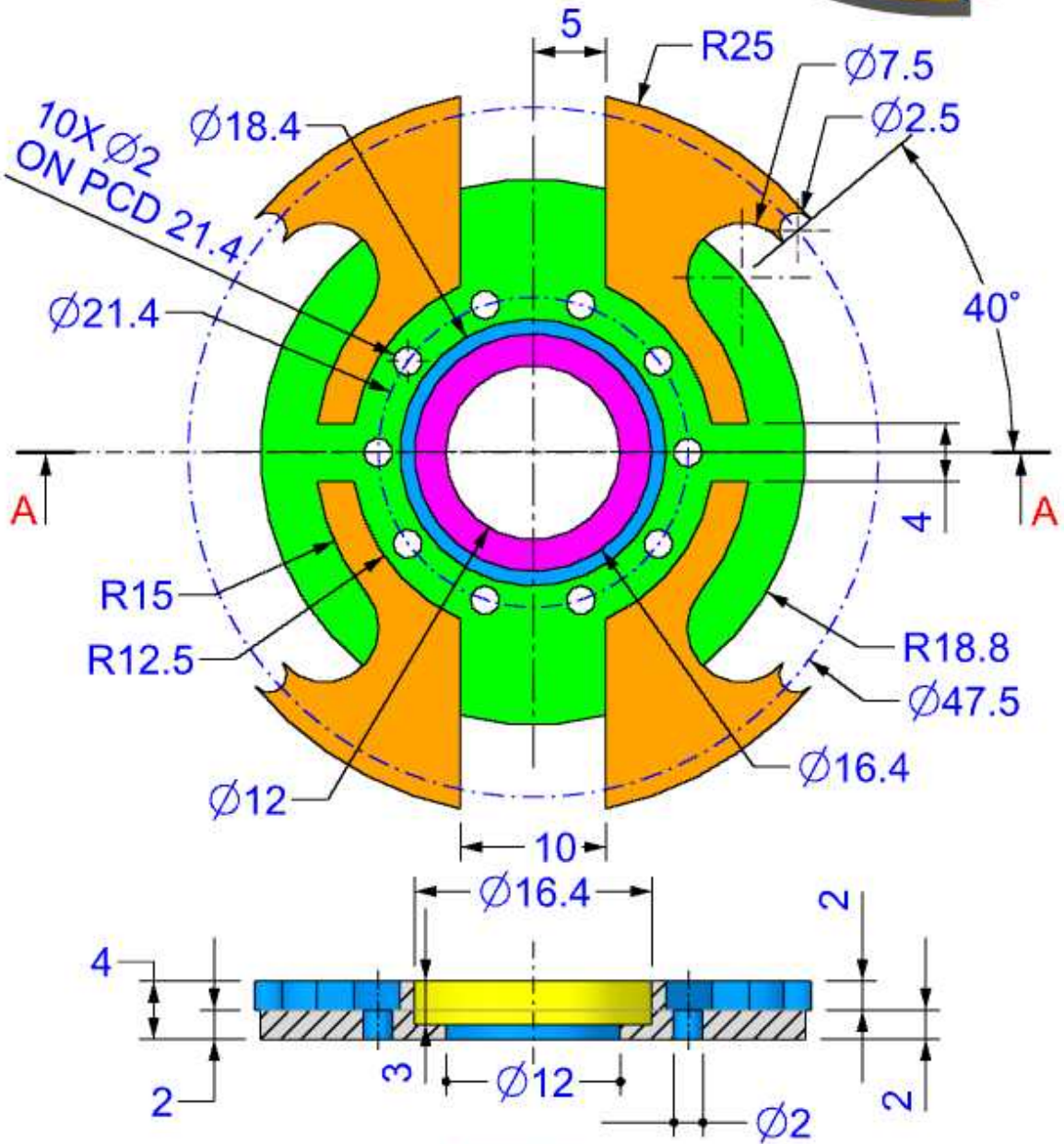
## EXERCISE-154



SECTION A-A



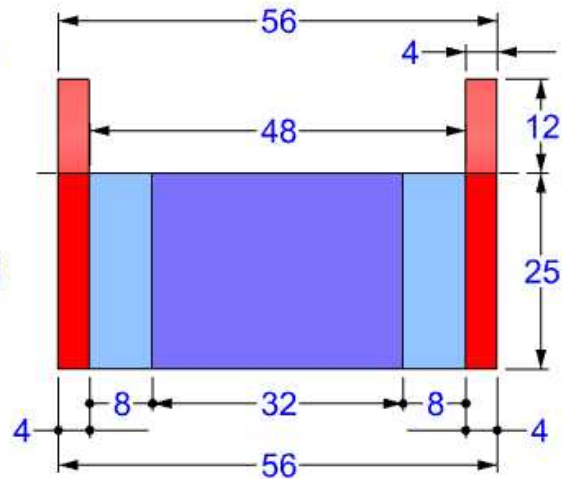
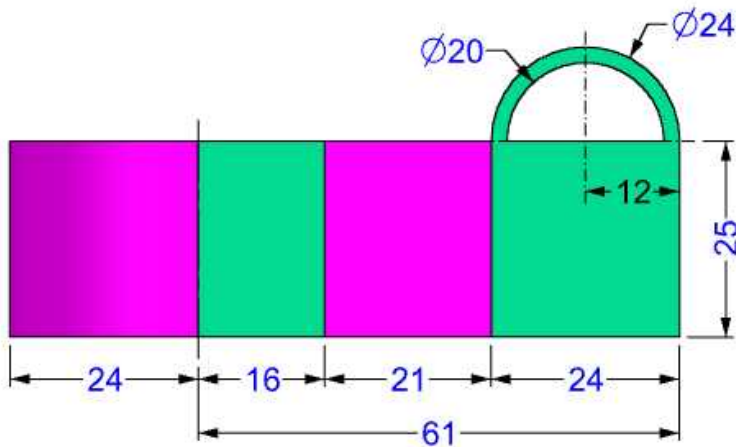
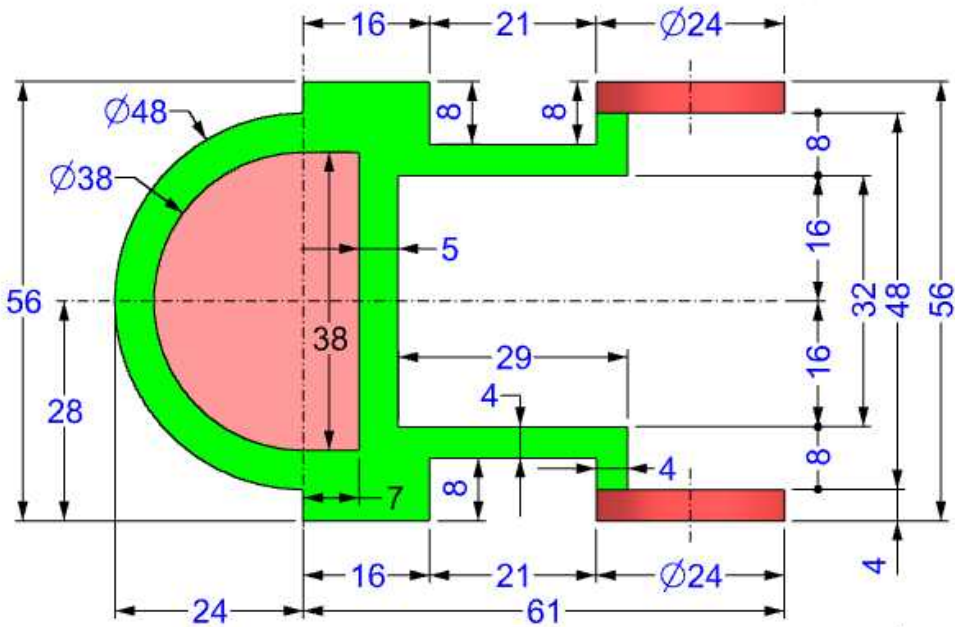
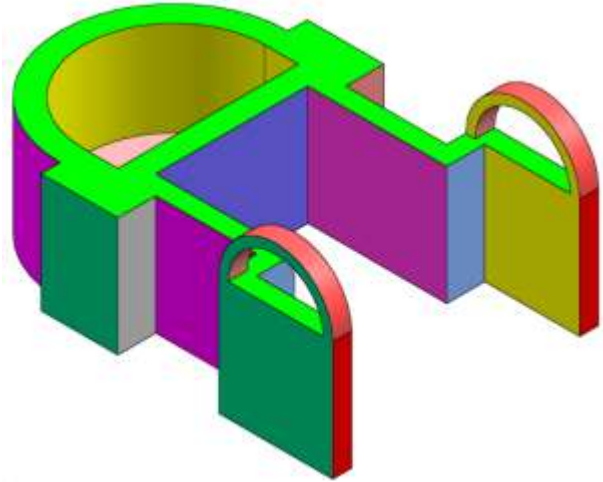
## EXERCISE-155



SECTION A-A

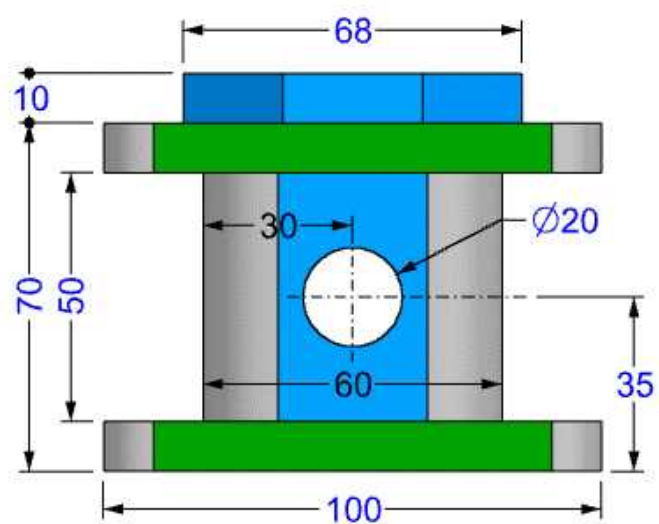
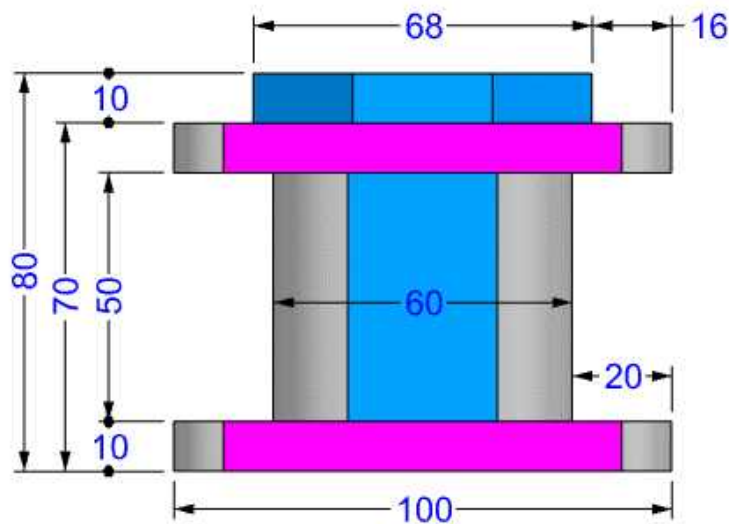
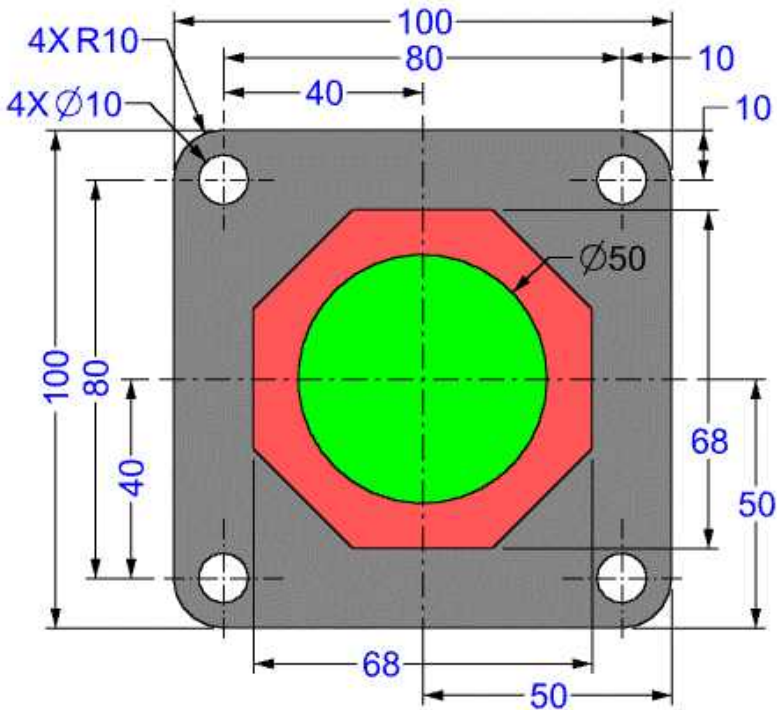
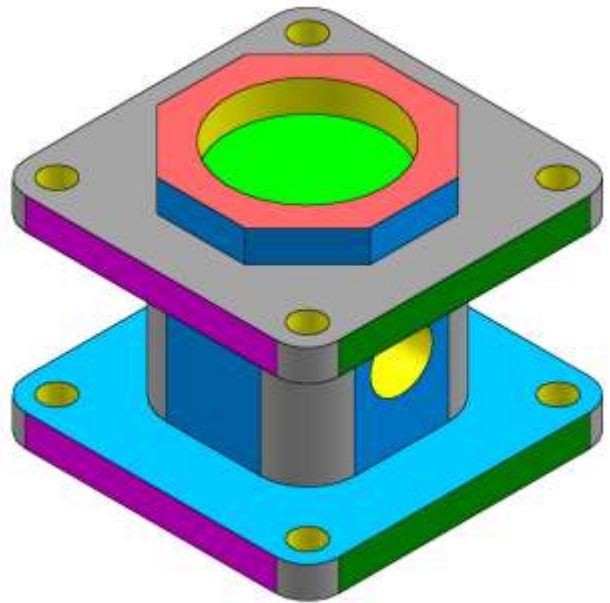


## EXERCISE-157

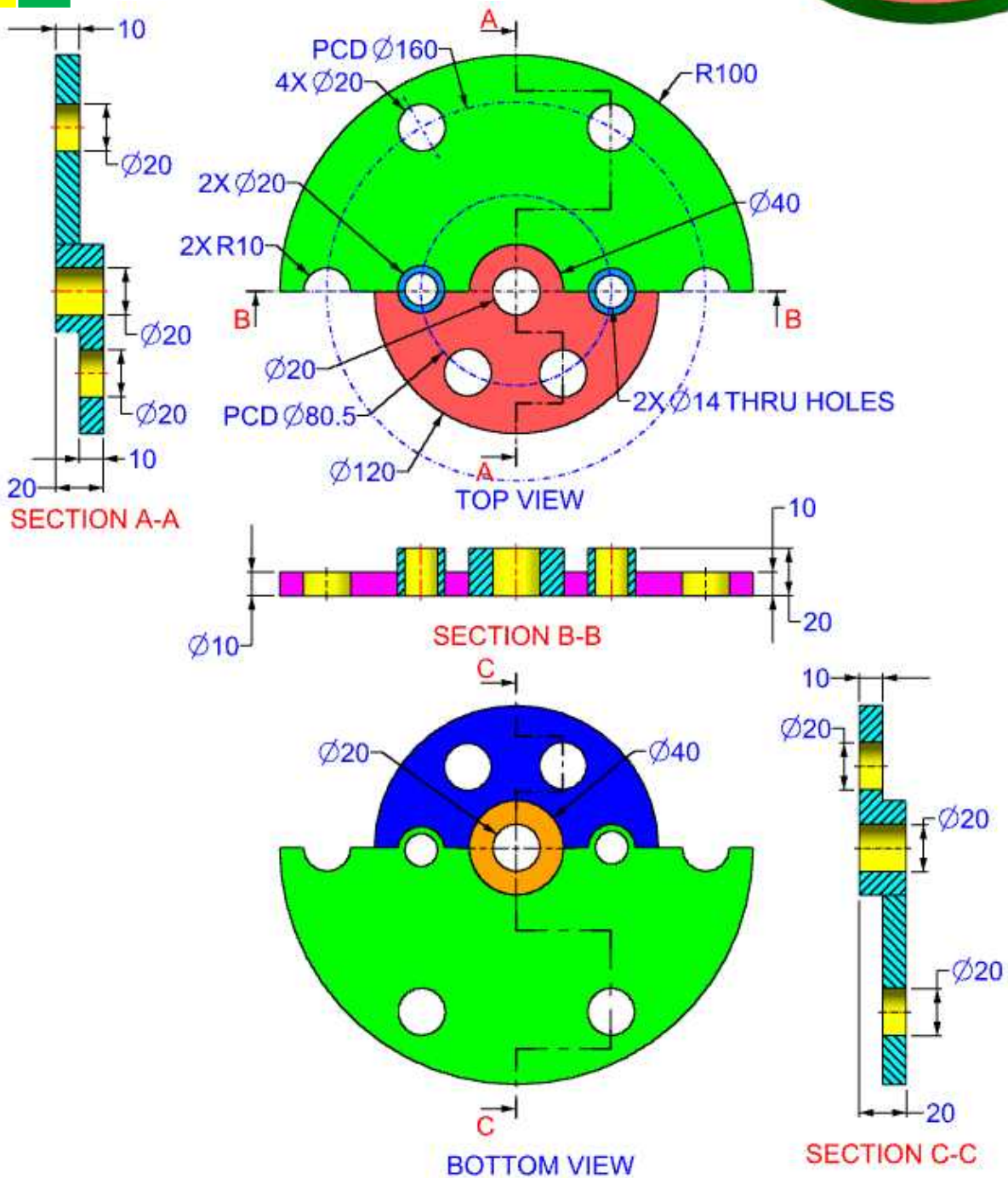
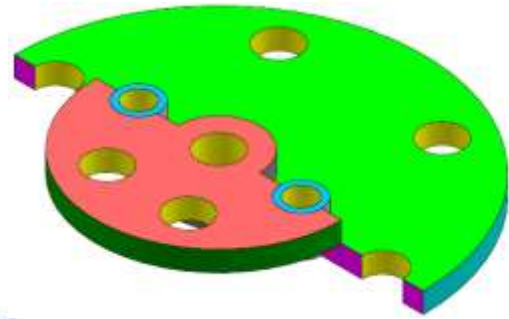




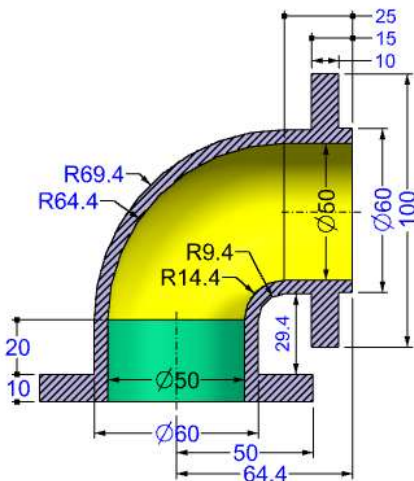
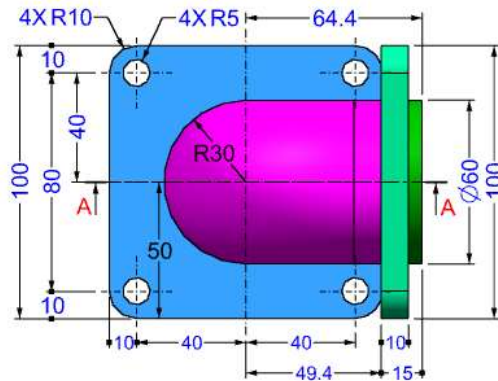
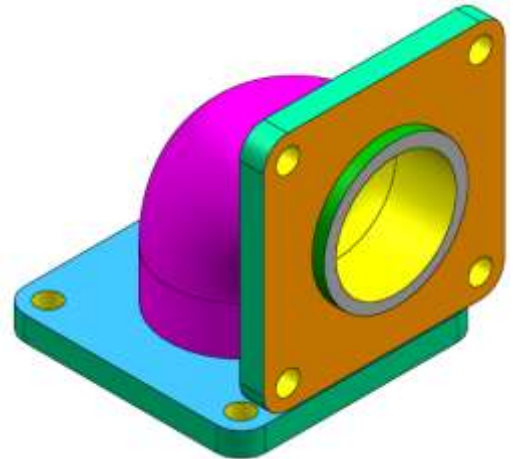
## EXERCISE-159



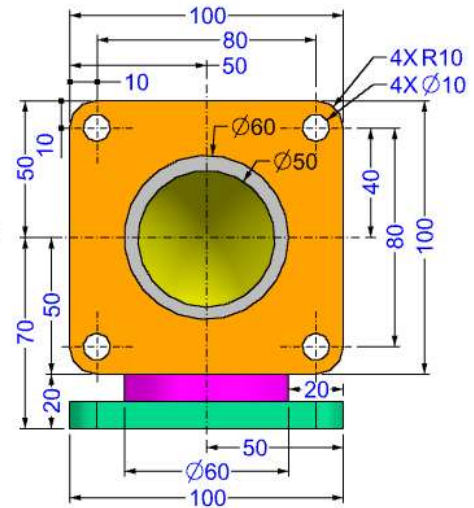
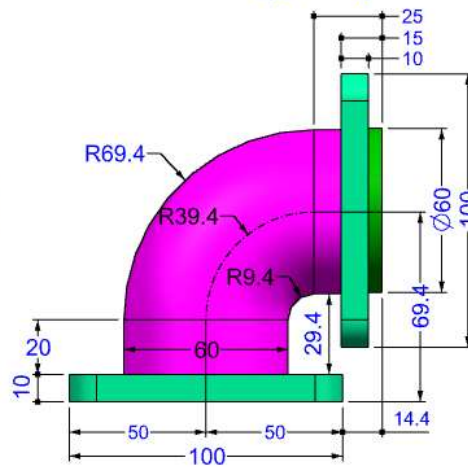
## EXERCISE-160



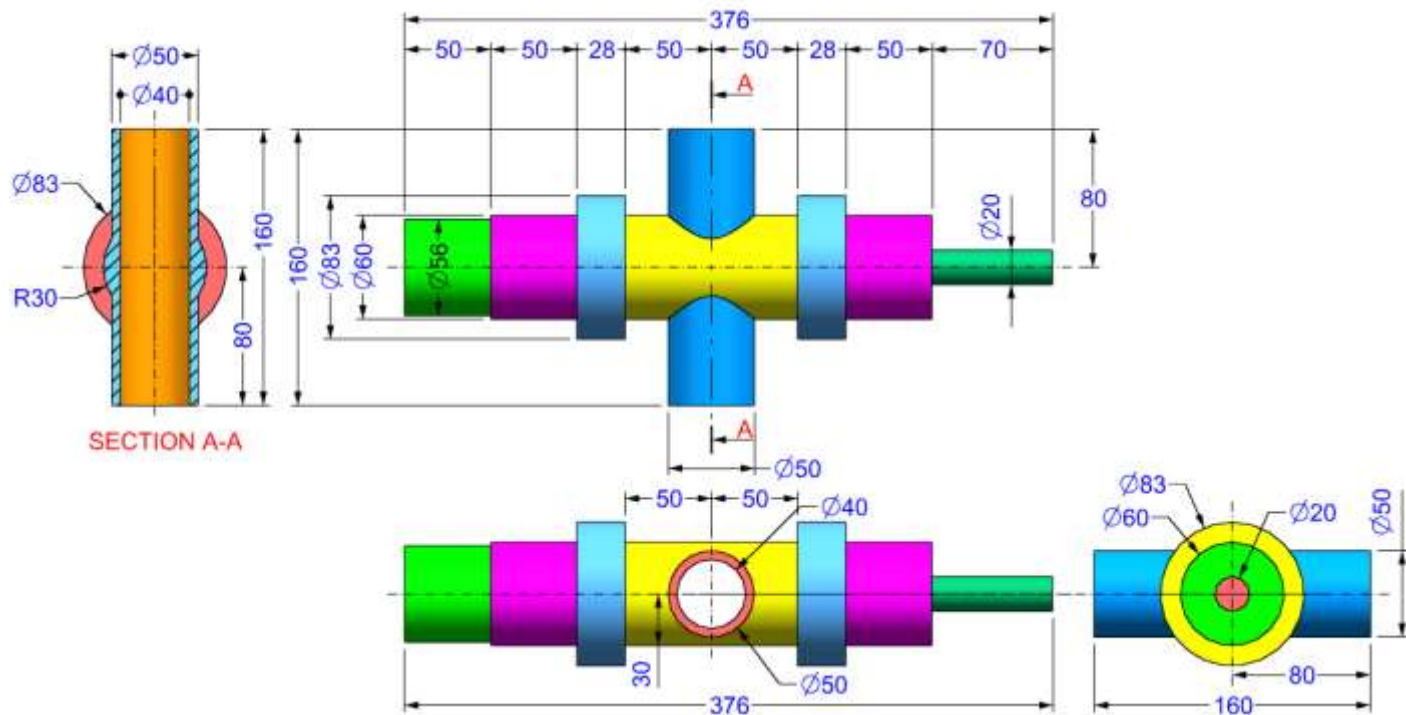
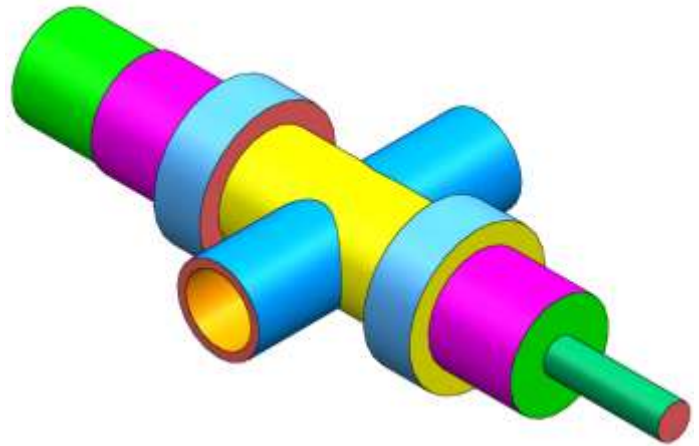
# EXERCISE-161



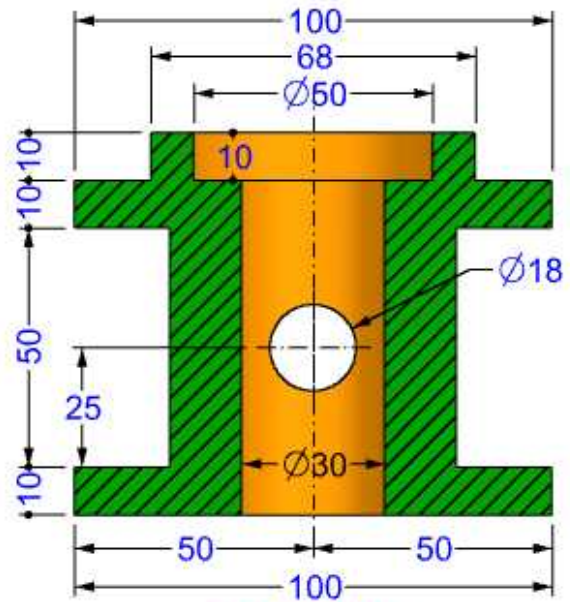
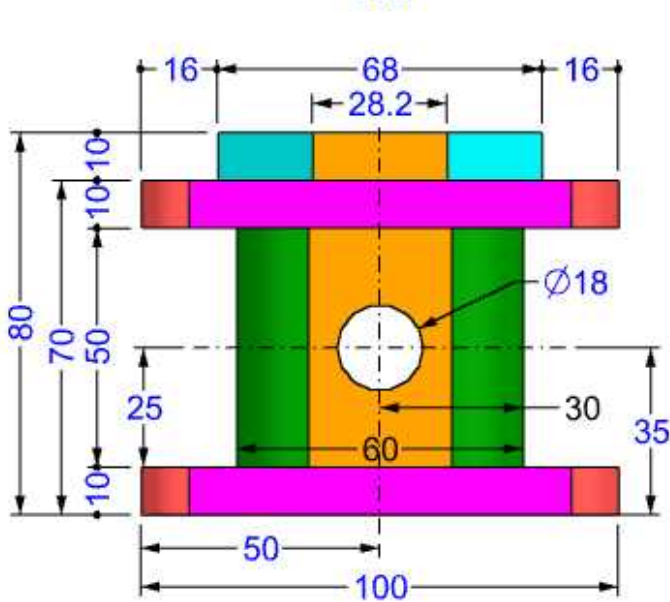
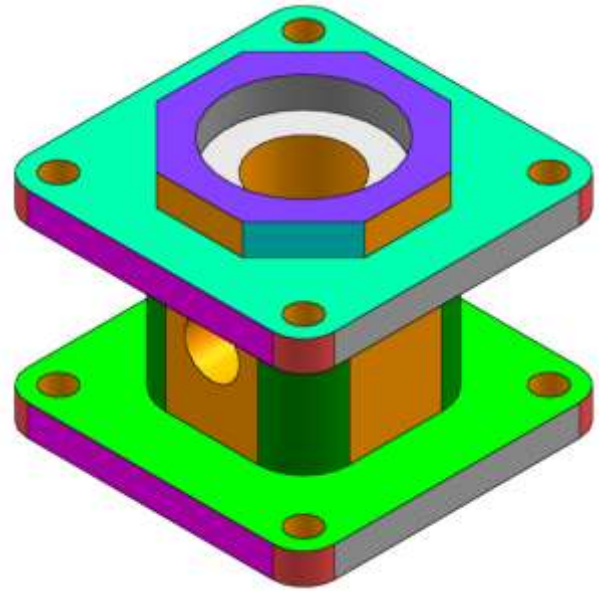
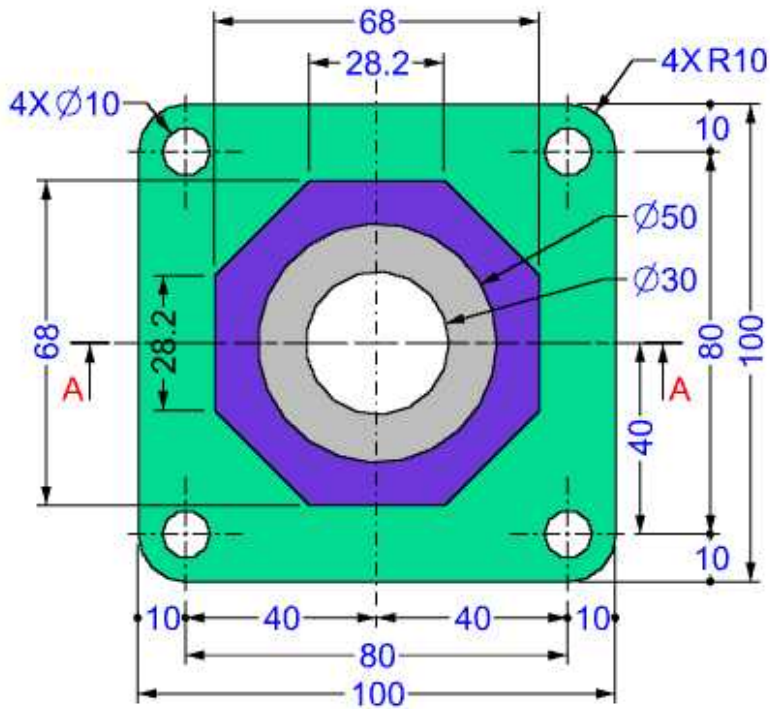
SECTION A-A



## EXERCISE-162

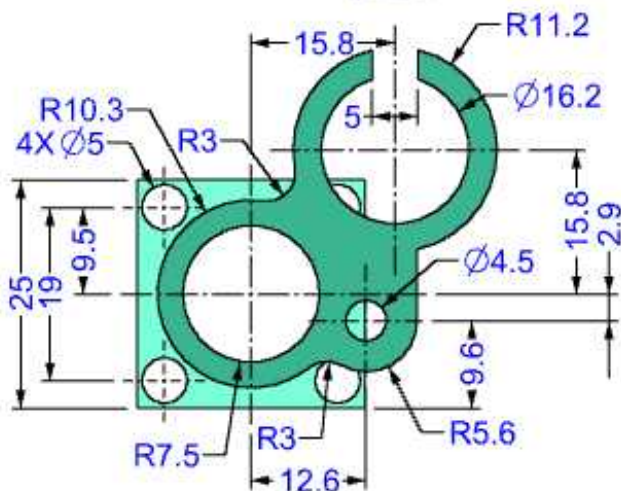
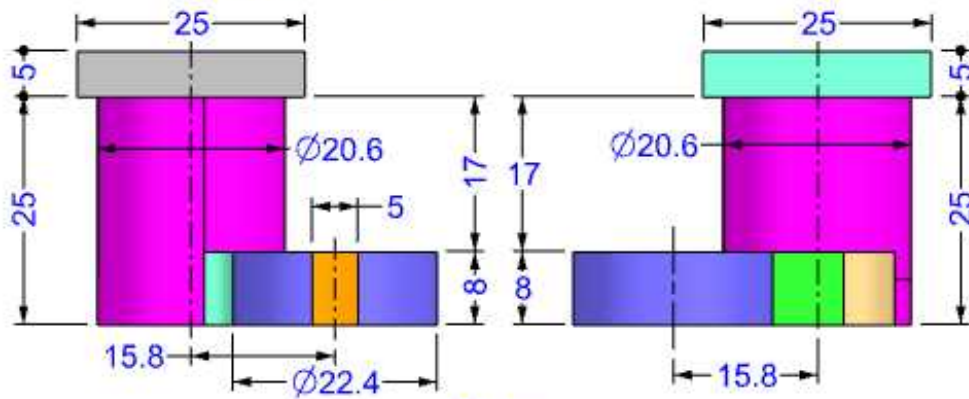
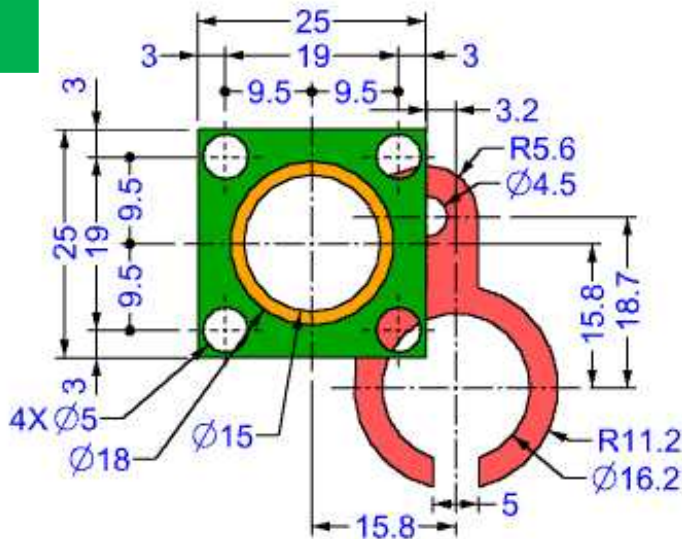
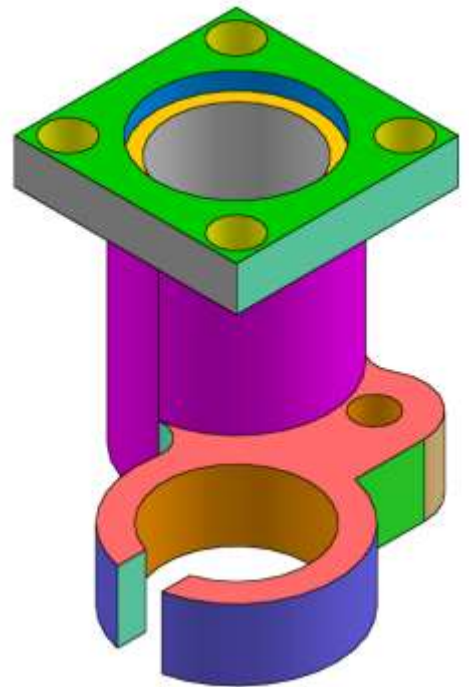


## EXERCISE-163

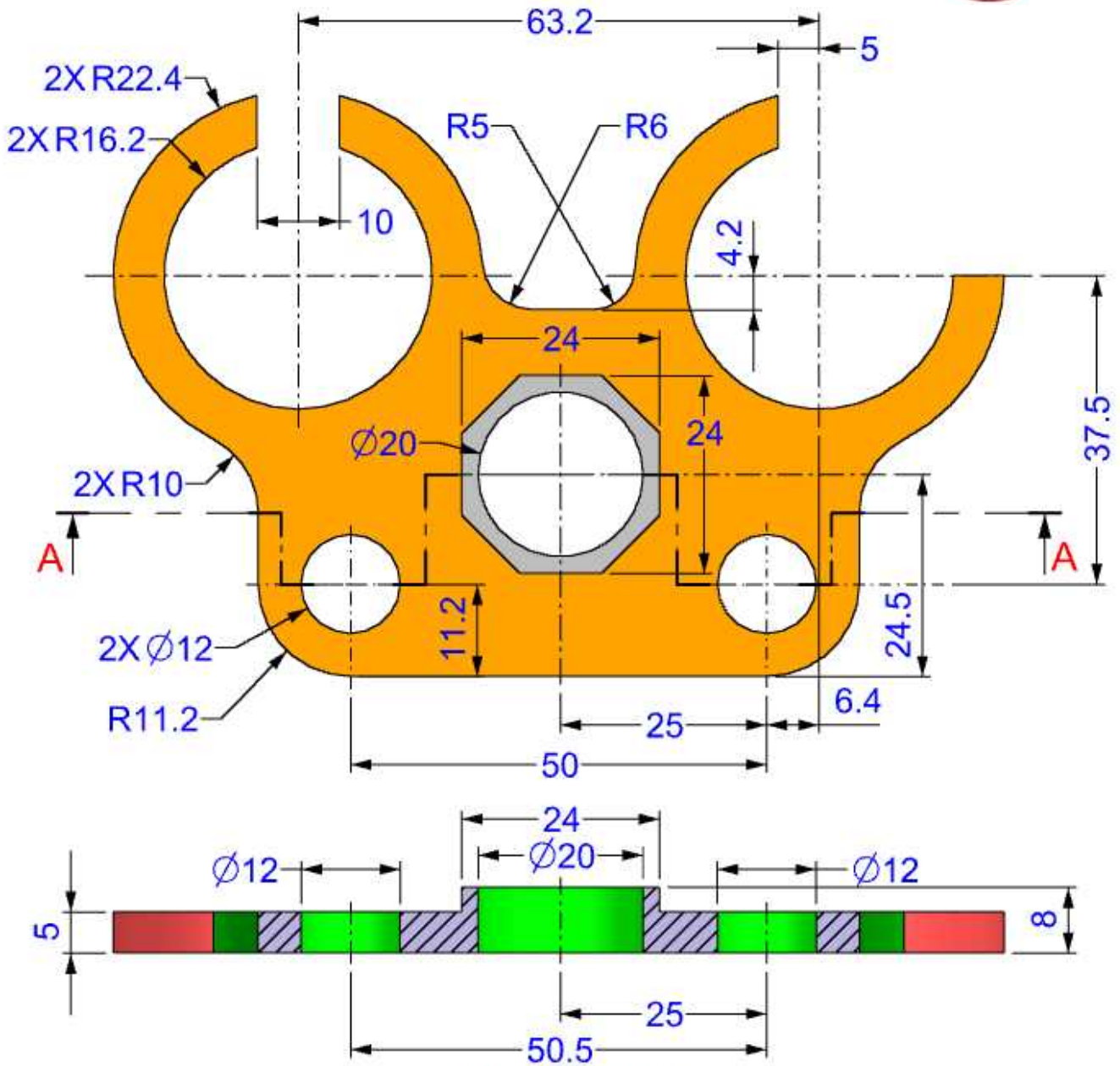


SECTION A-A

# EXERCISE-164

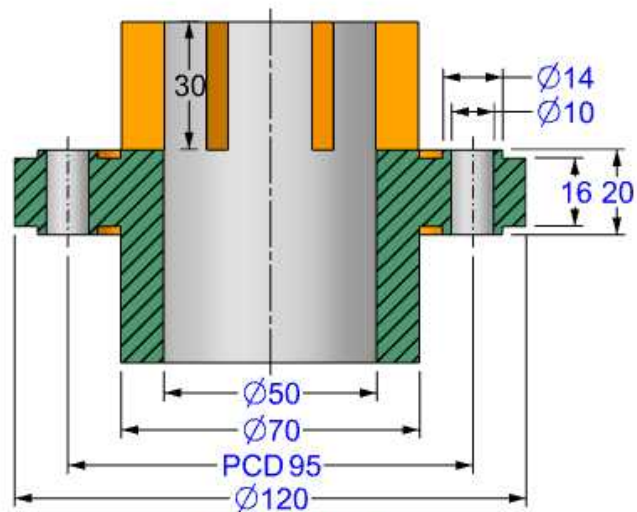
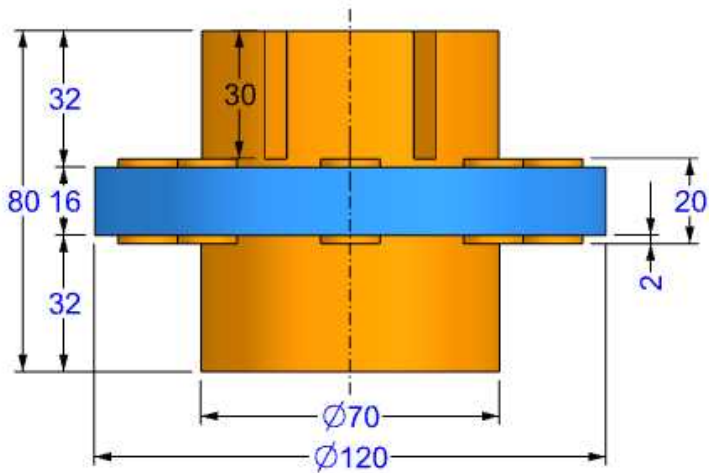
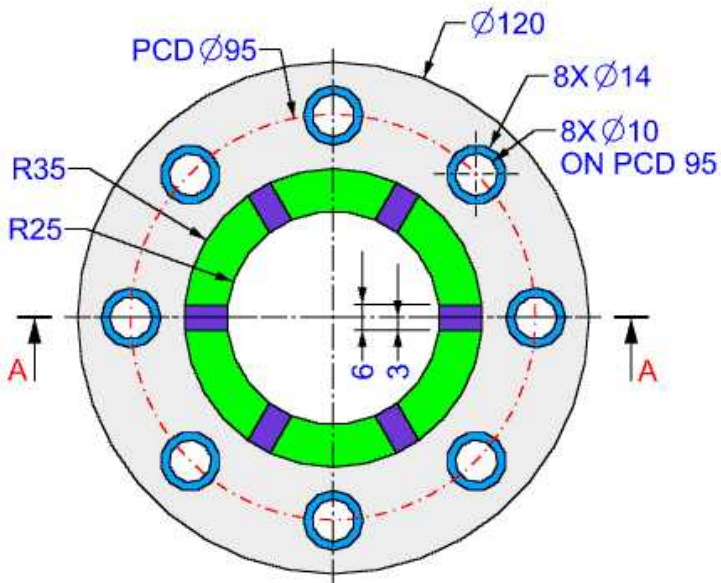
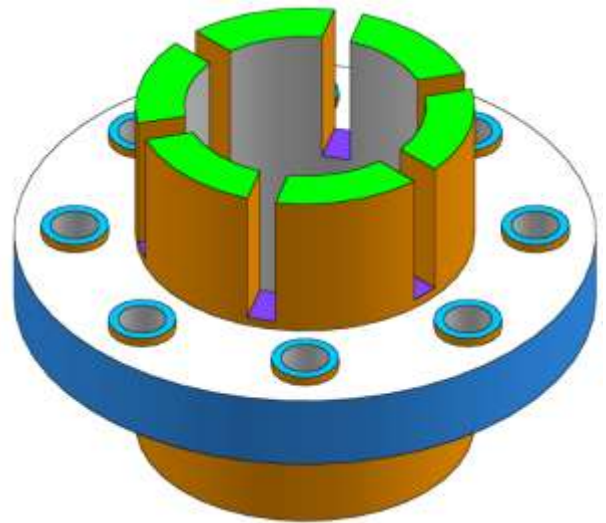


## EXERCISE-165



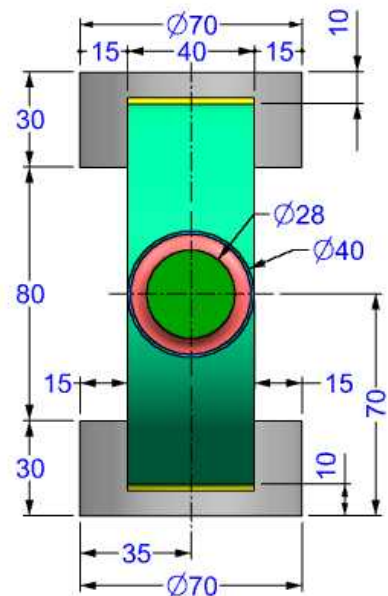
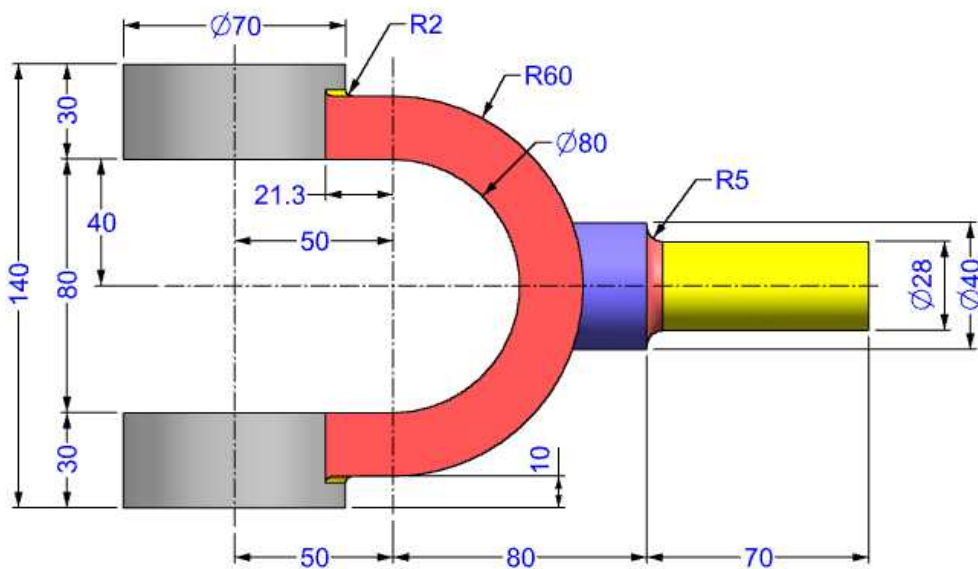
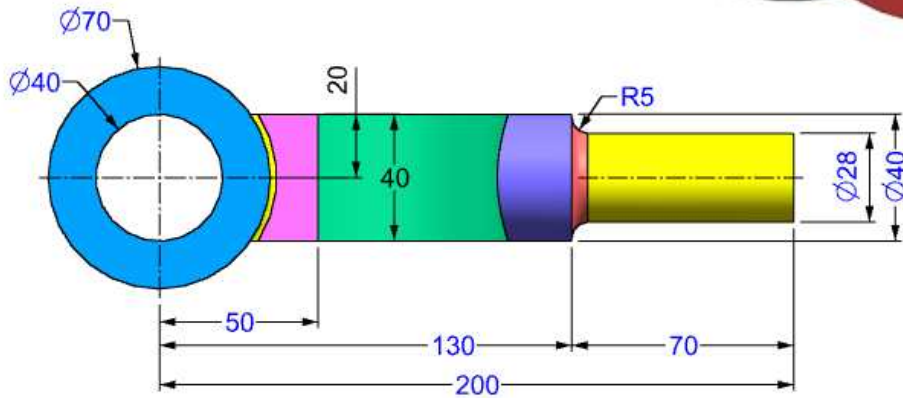
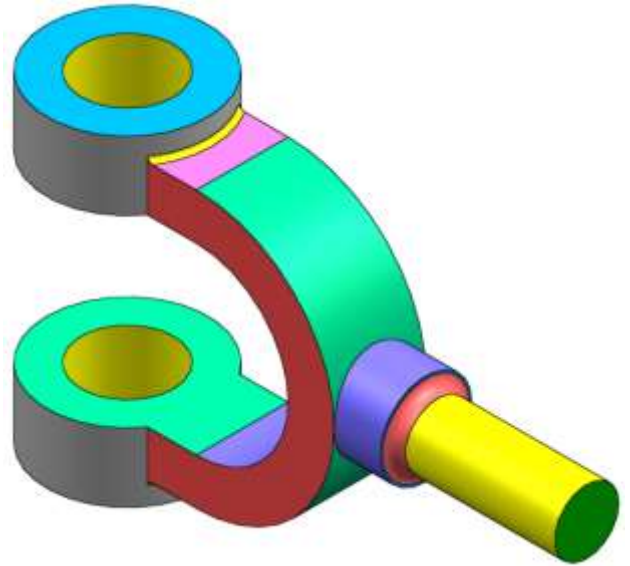
SECTION A-A

## EXERCISE-166

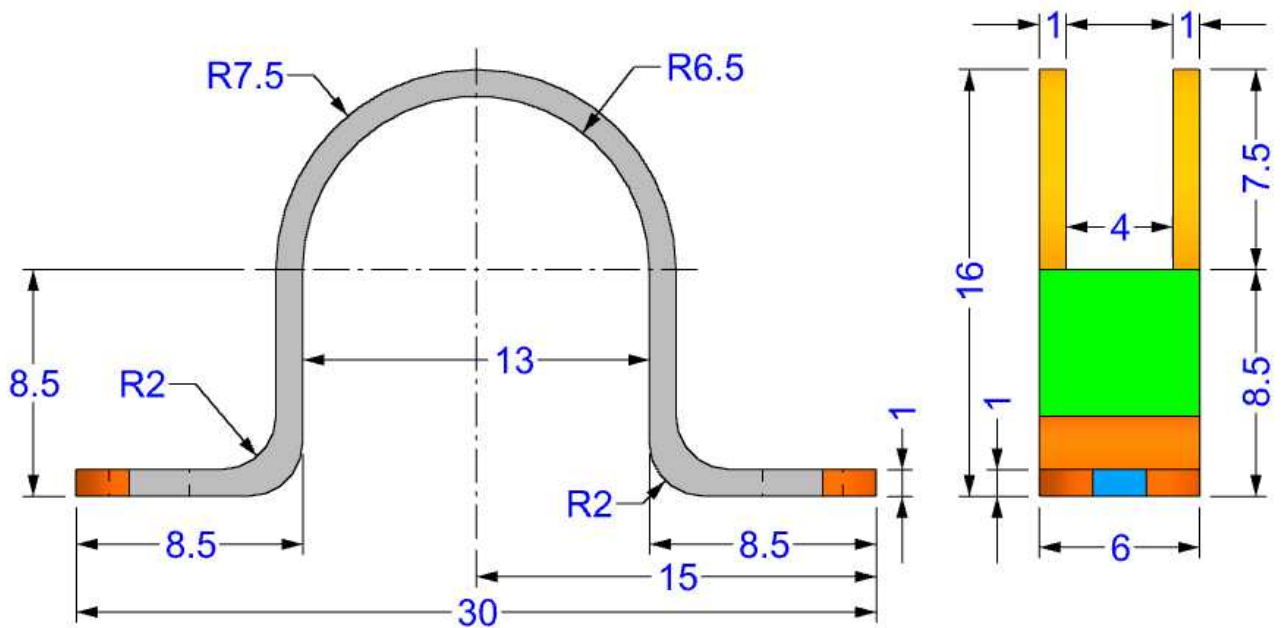
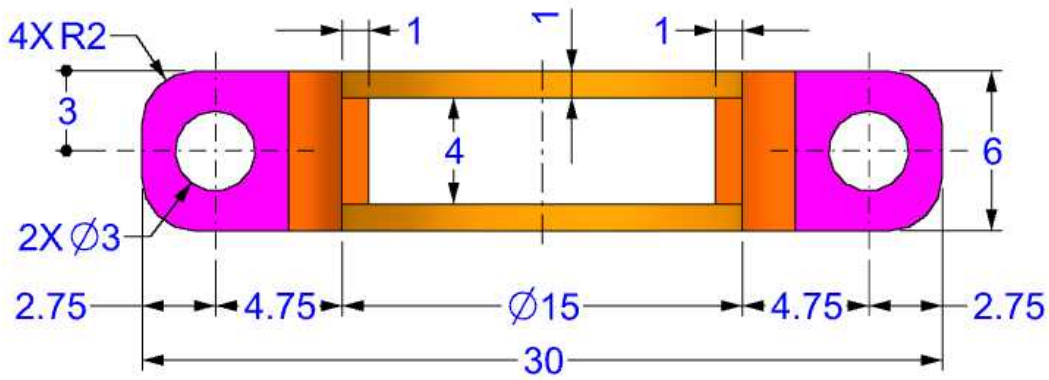
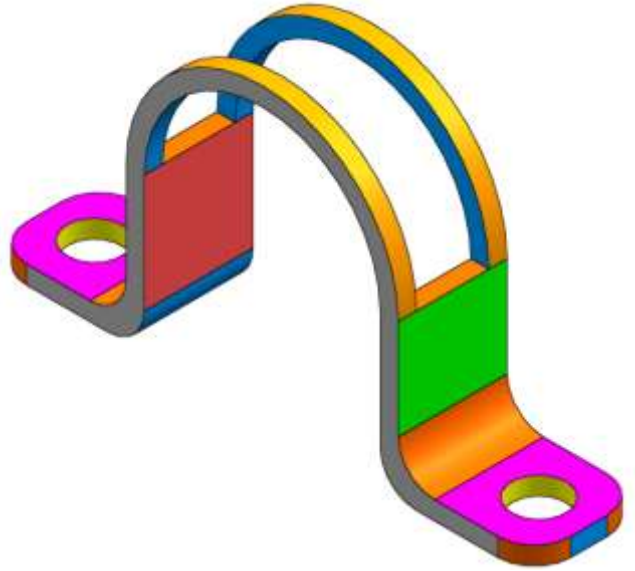


SECTION A-A

## EXERCISE-167

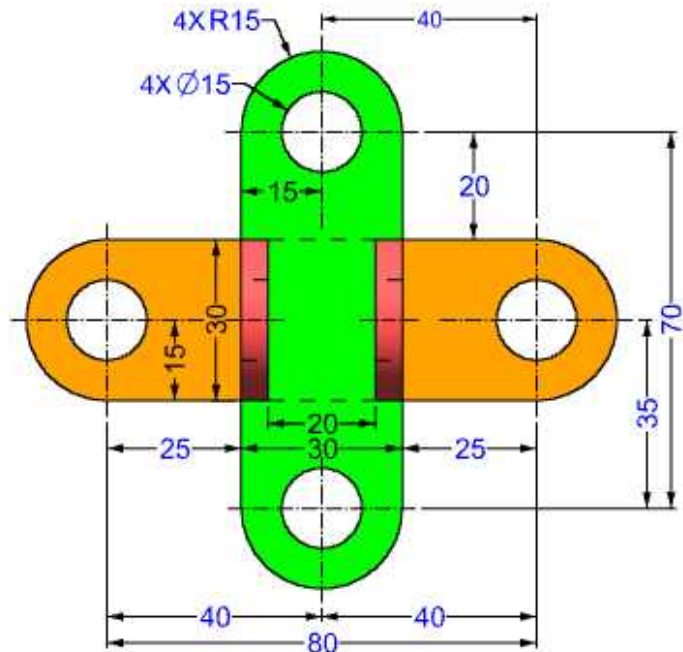
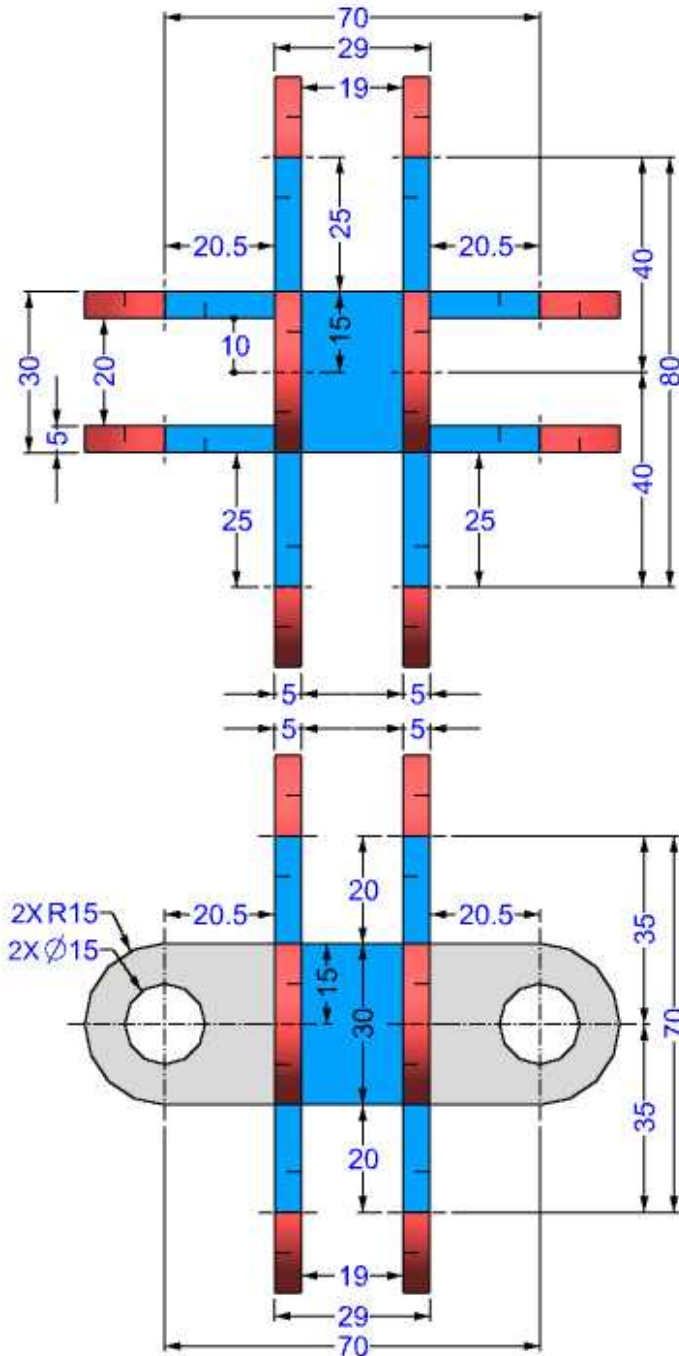
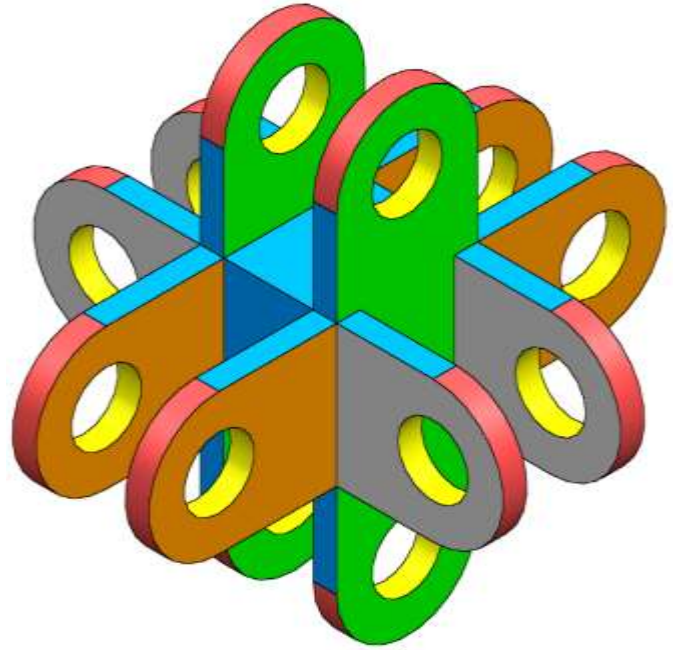


## EXERCISE-168



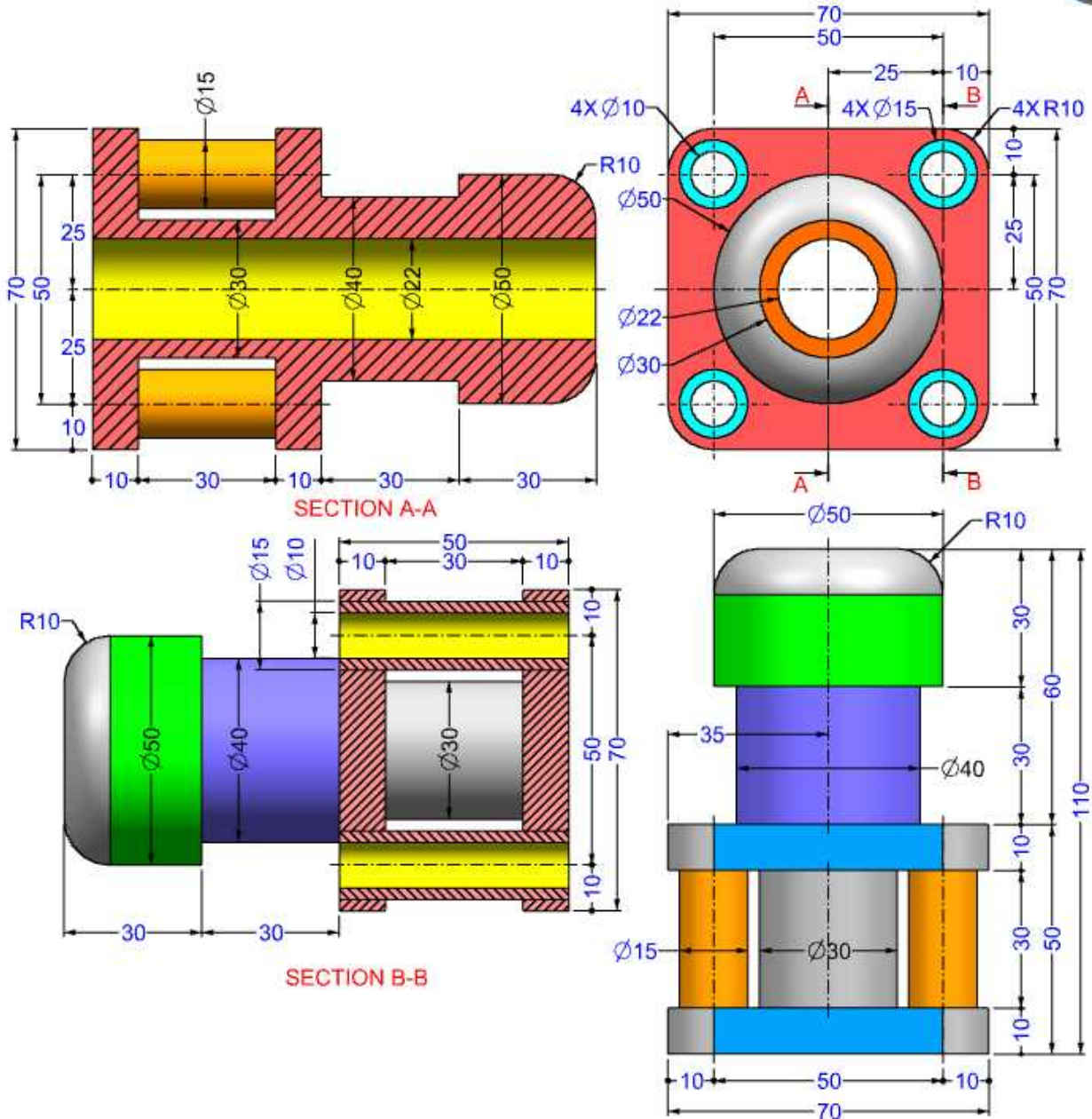


## EXERCISE-170

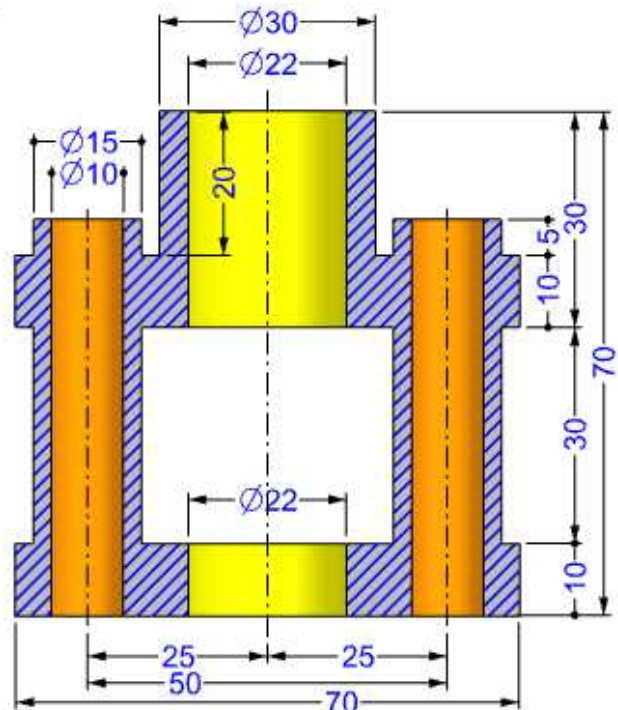
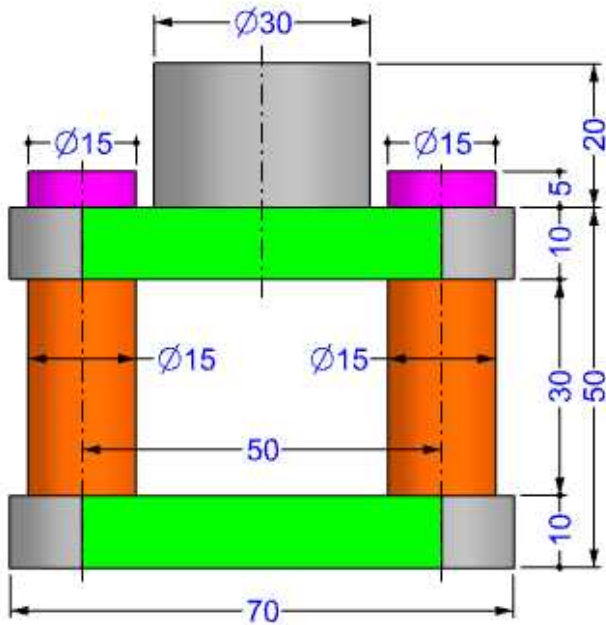
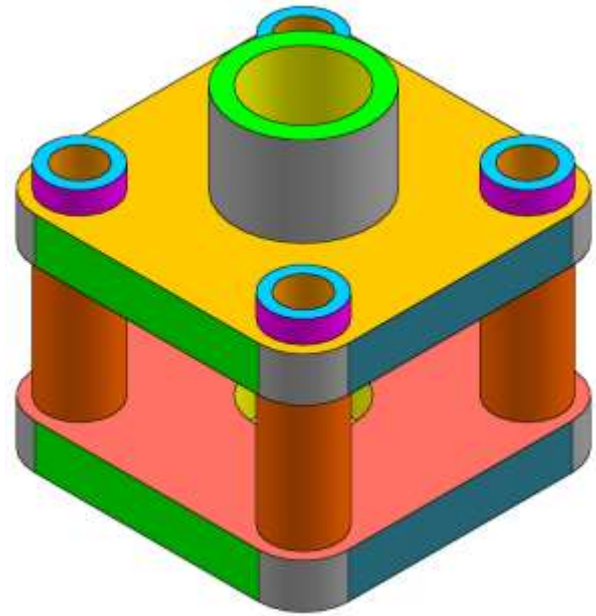
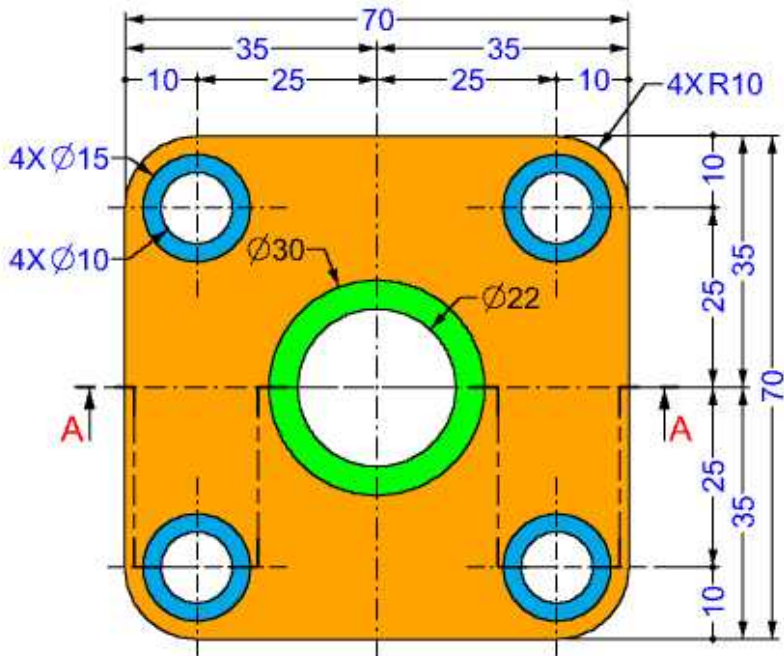




## EXERCISE-172

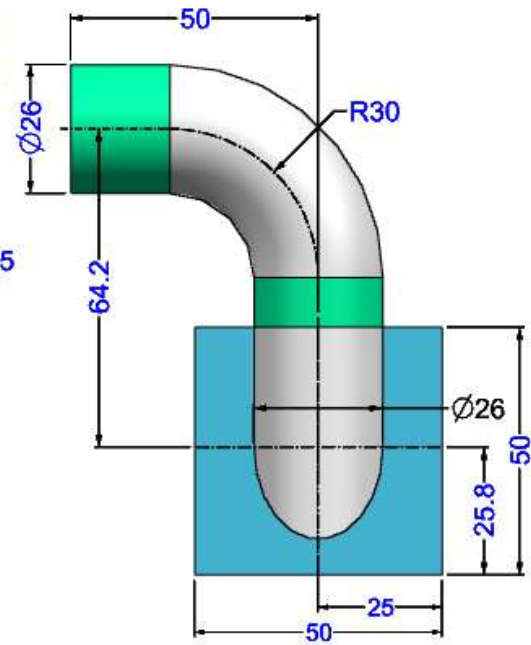
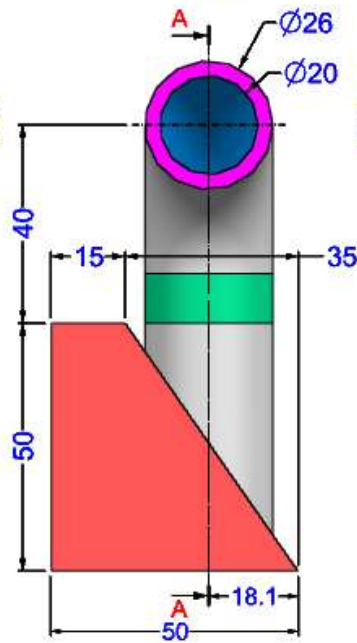
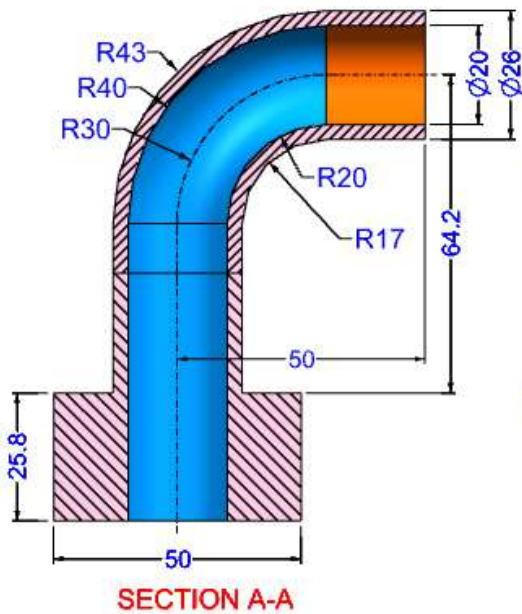
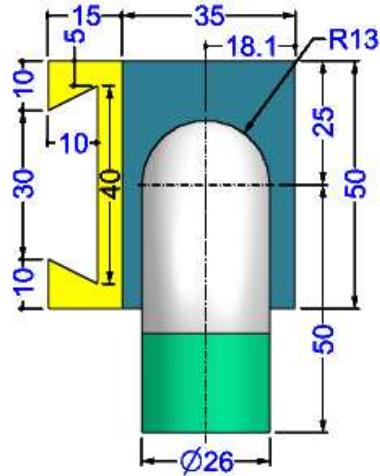
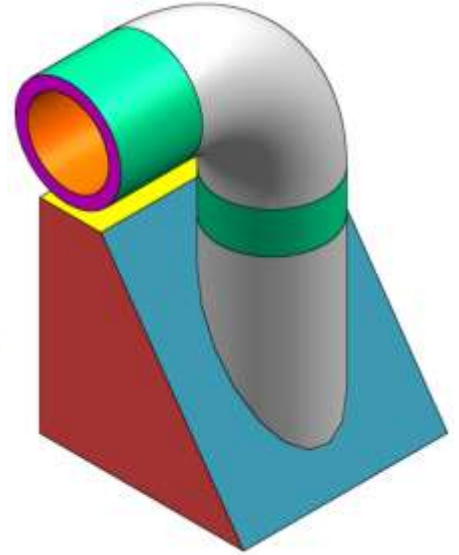


## EXERCISE-173

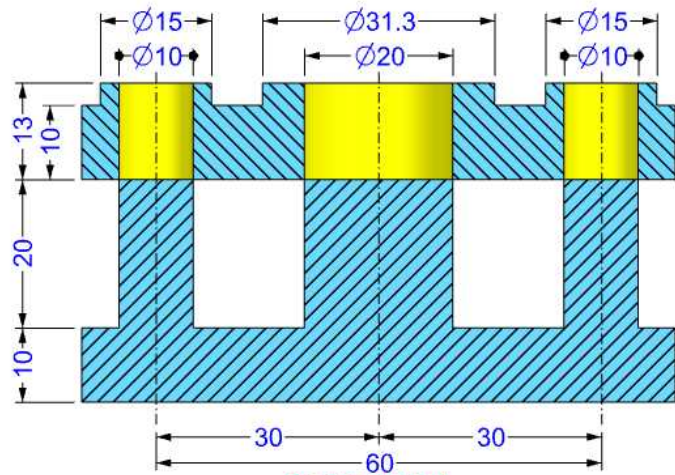
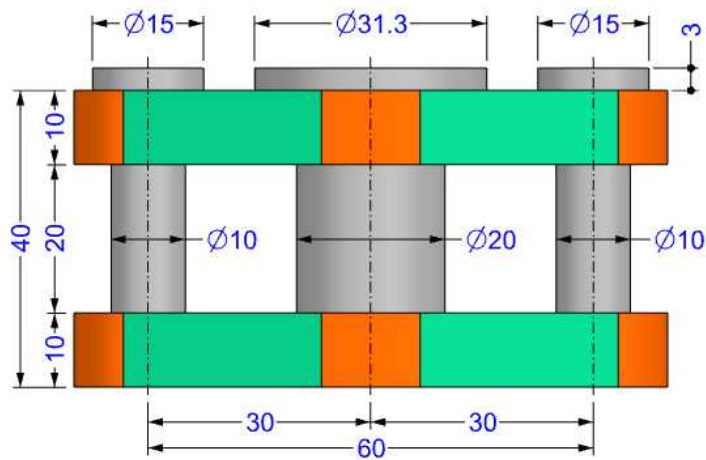
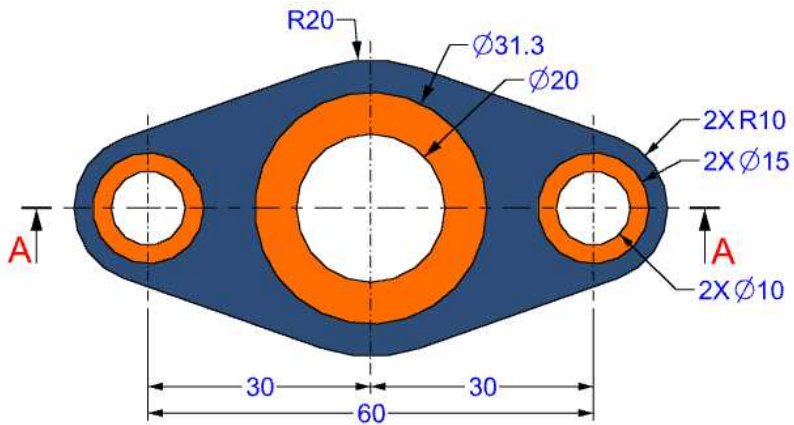
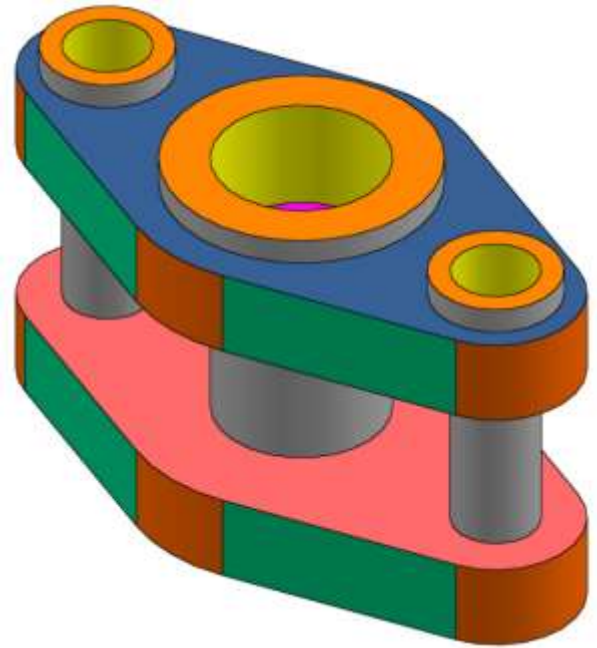


SECTION A-A

## EXERCISE-174

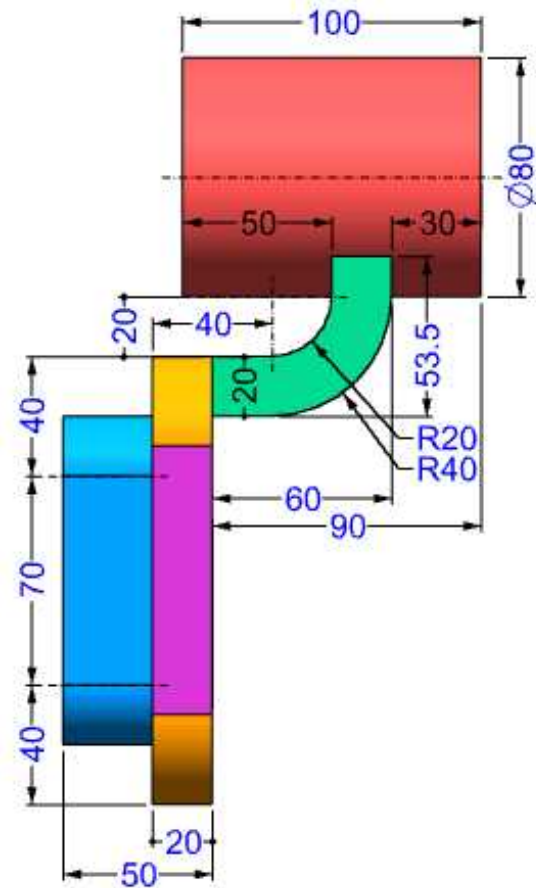
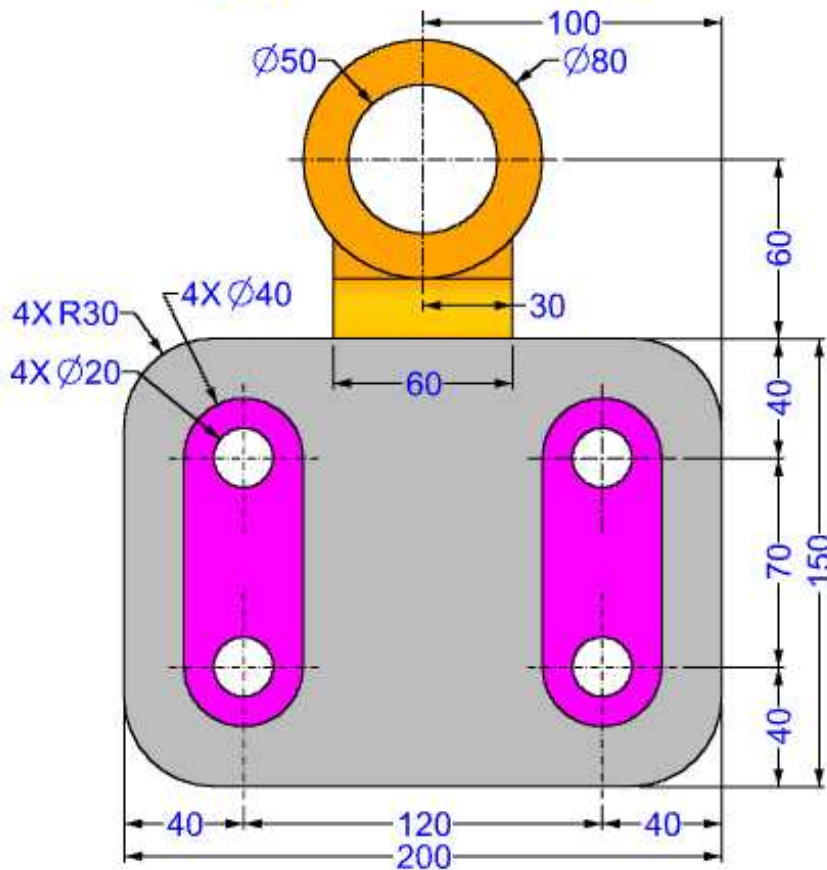
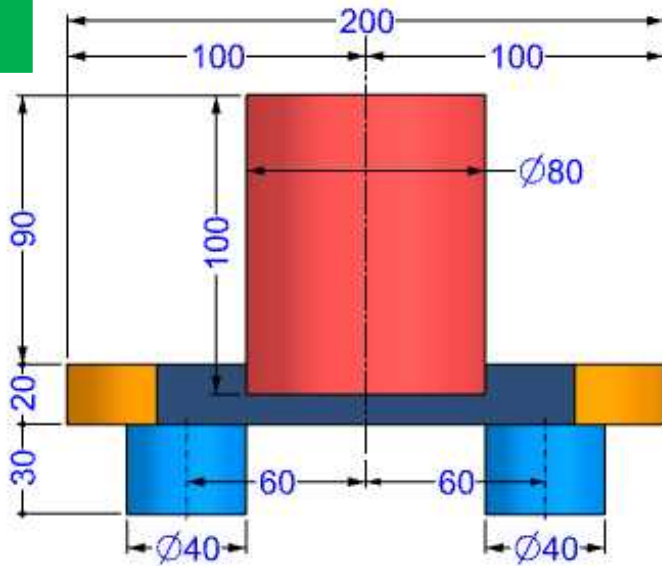
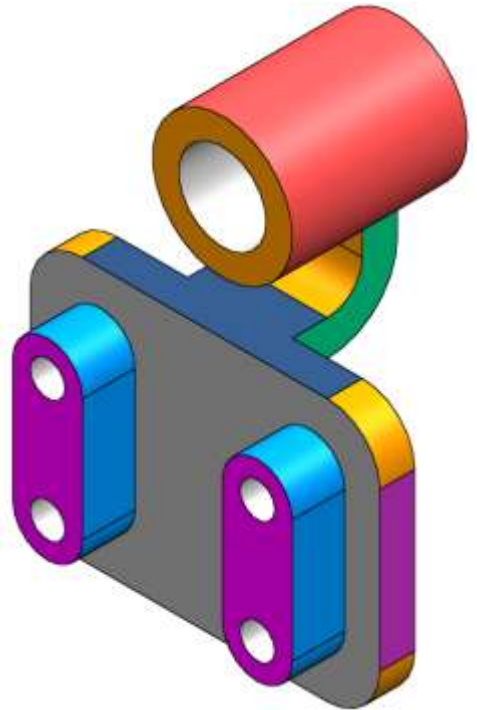


## EXERCISE-175

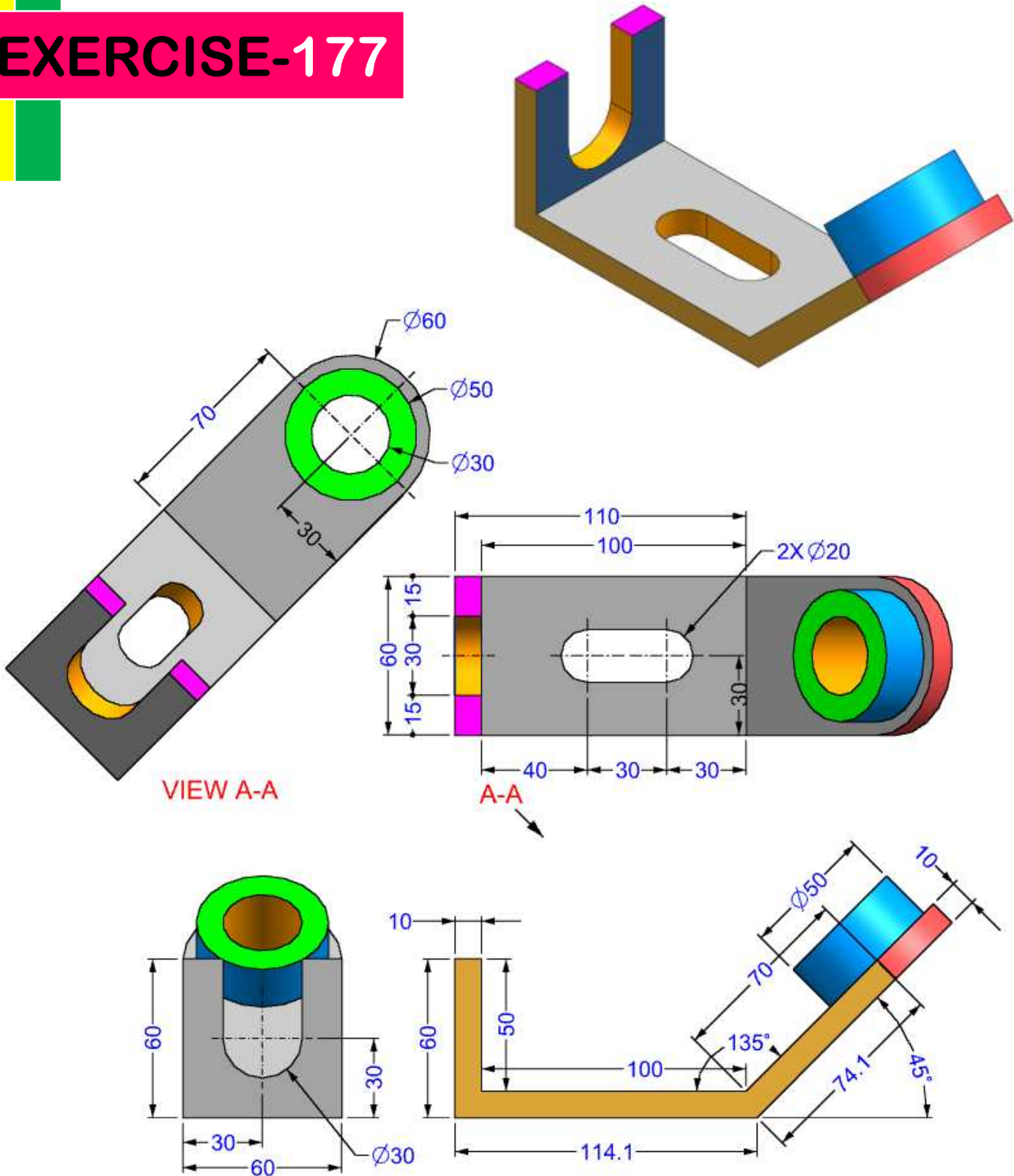


SECTION A-A

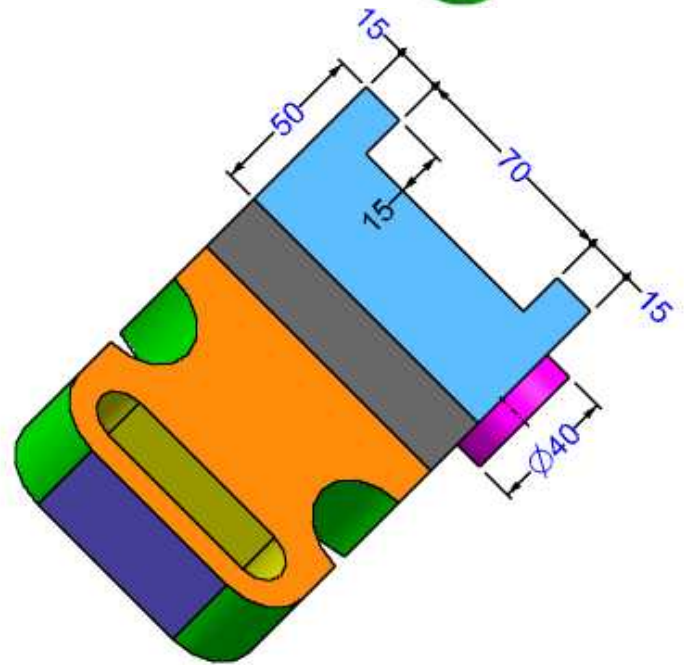
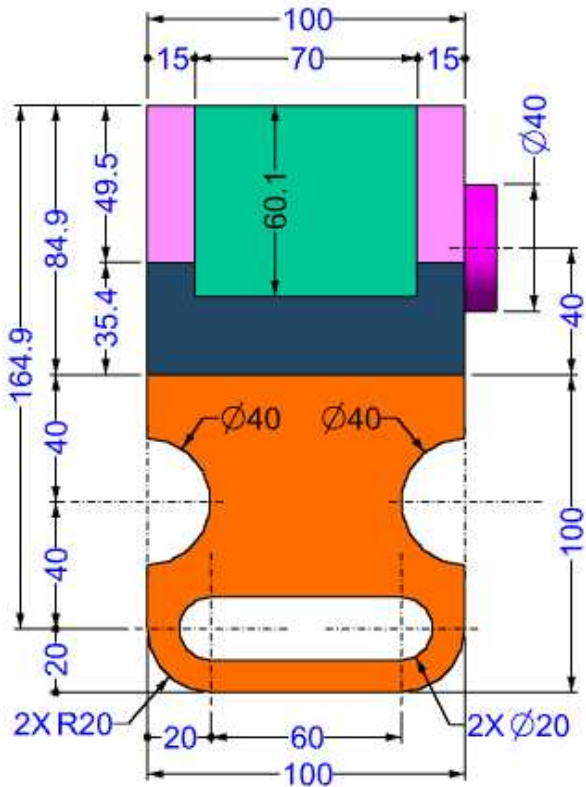
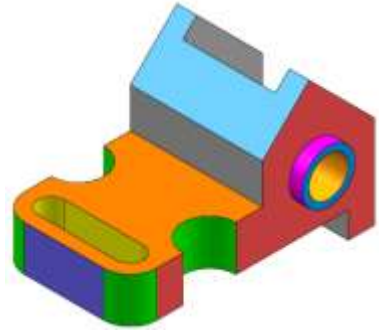
## EXERCISE-176



## EXERCISE-177

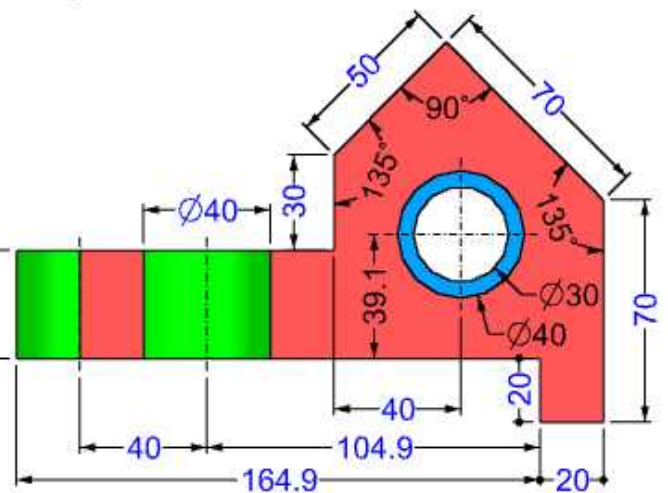
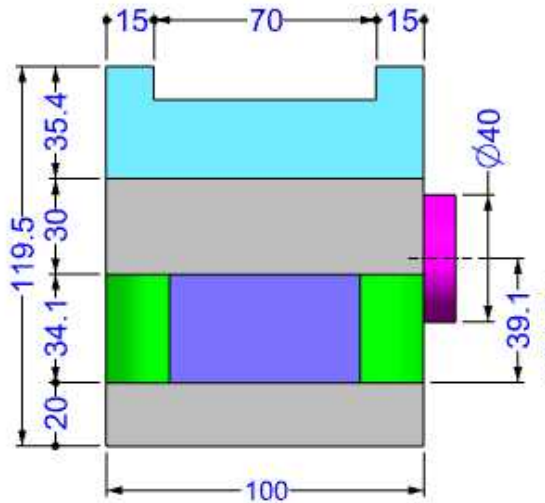


## EXERCISE-178

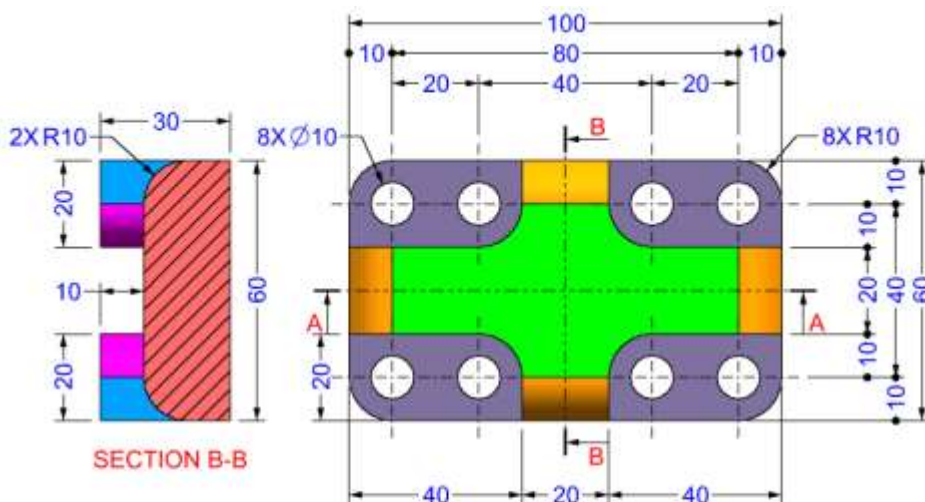
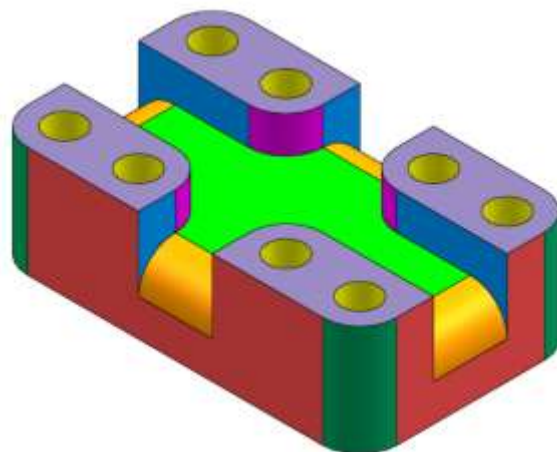


A-A

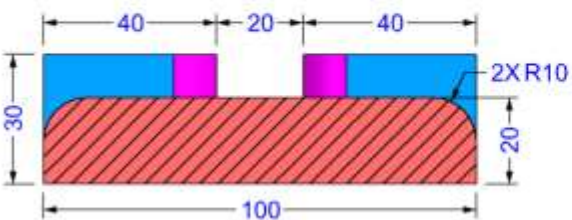
VIEW A-A



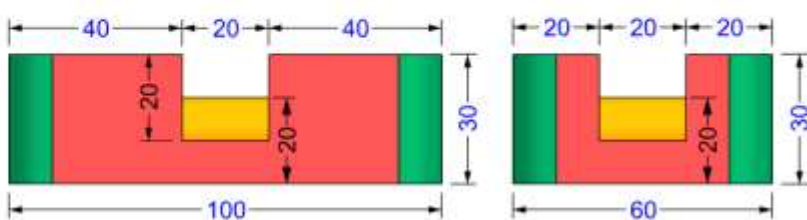
## EXERCISE-179



SECTION B-B

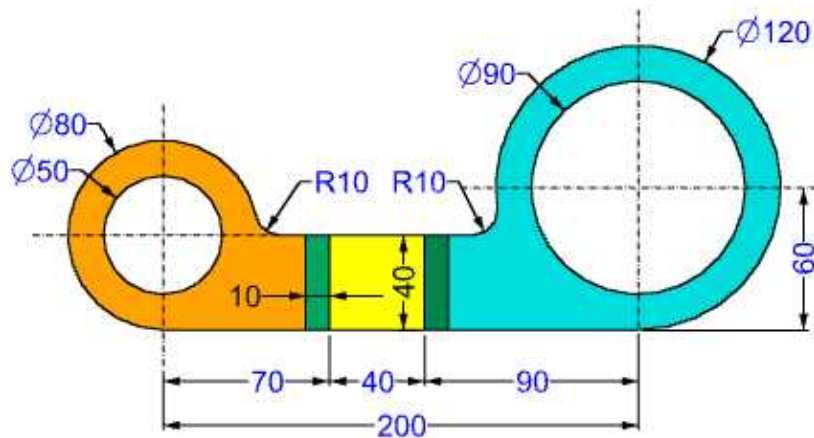
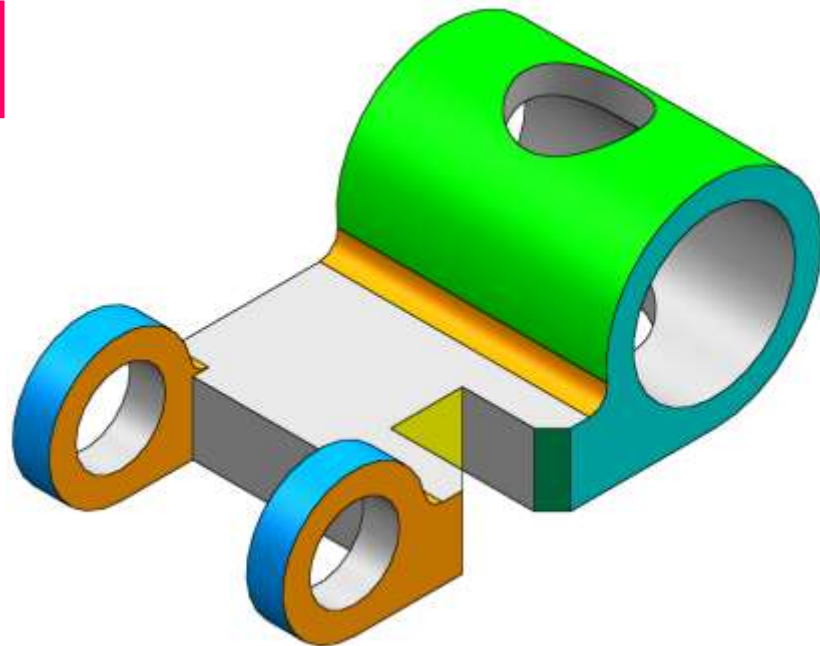
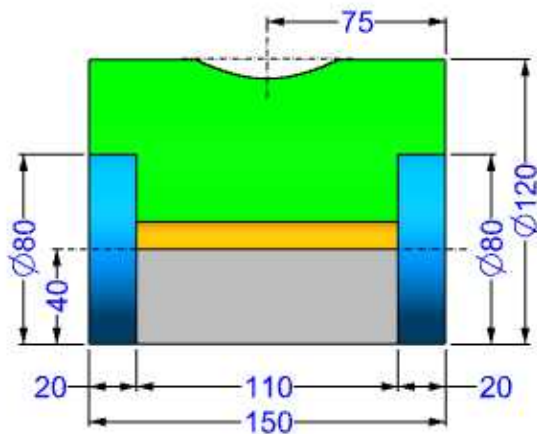
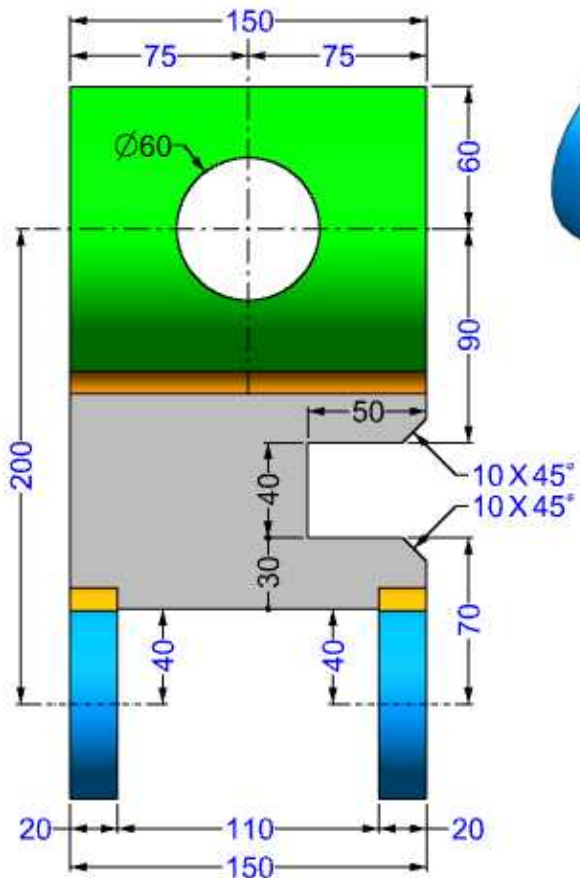


SECTION A-A

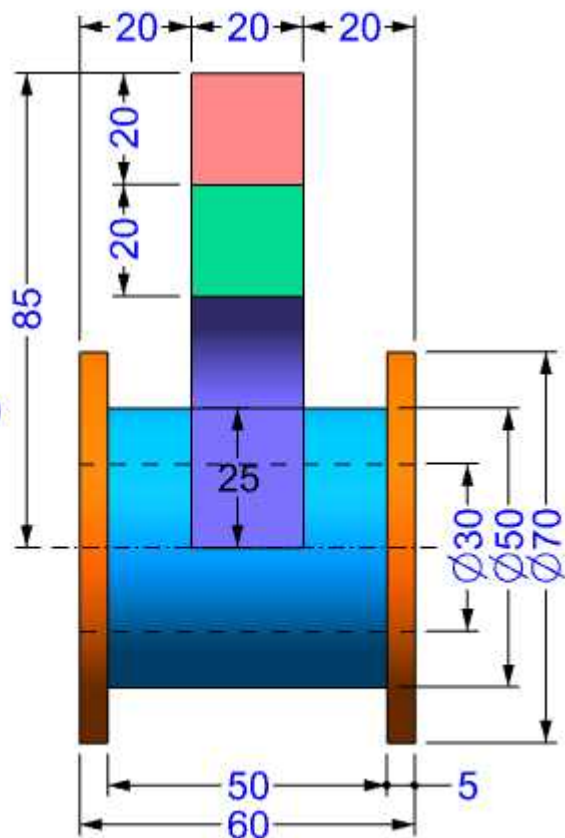
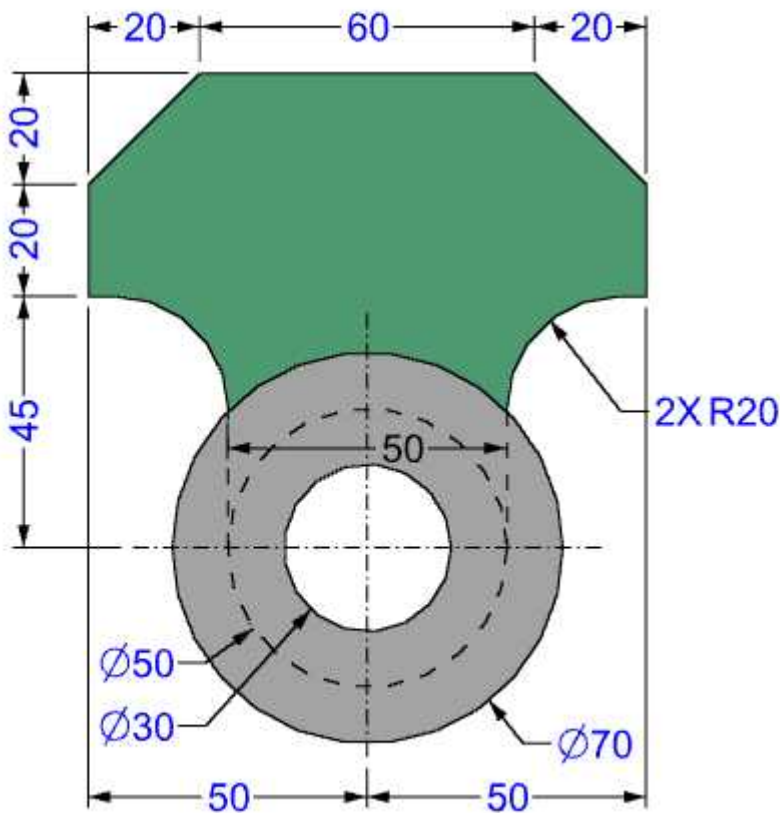
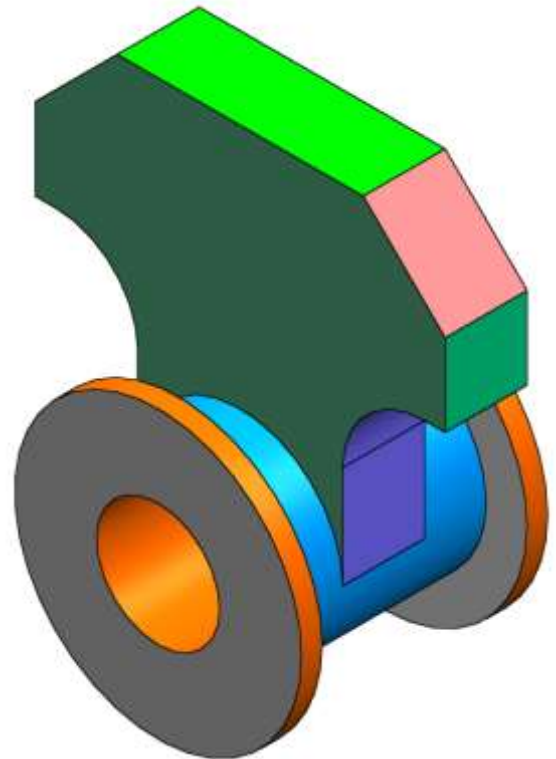
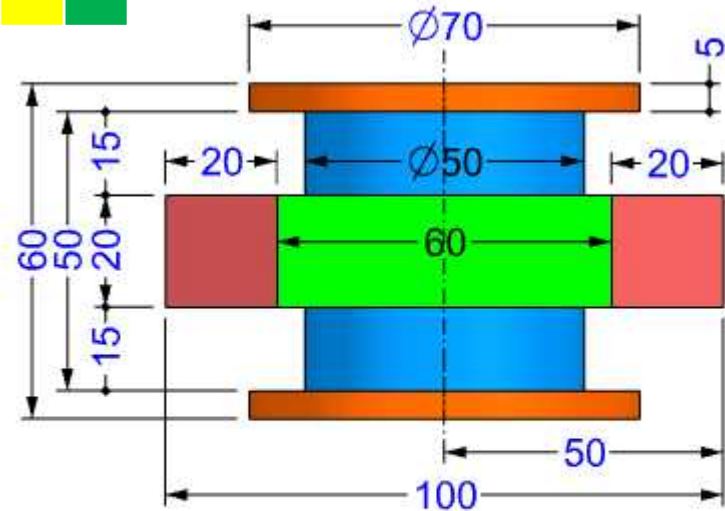




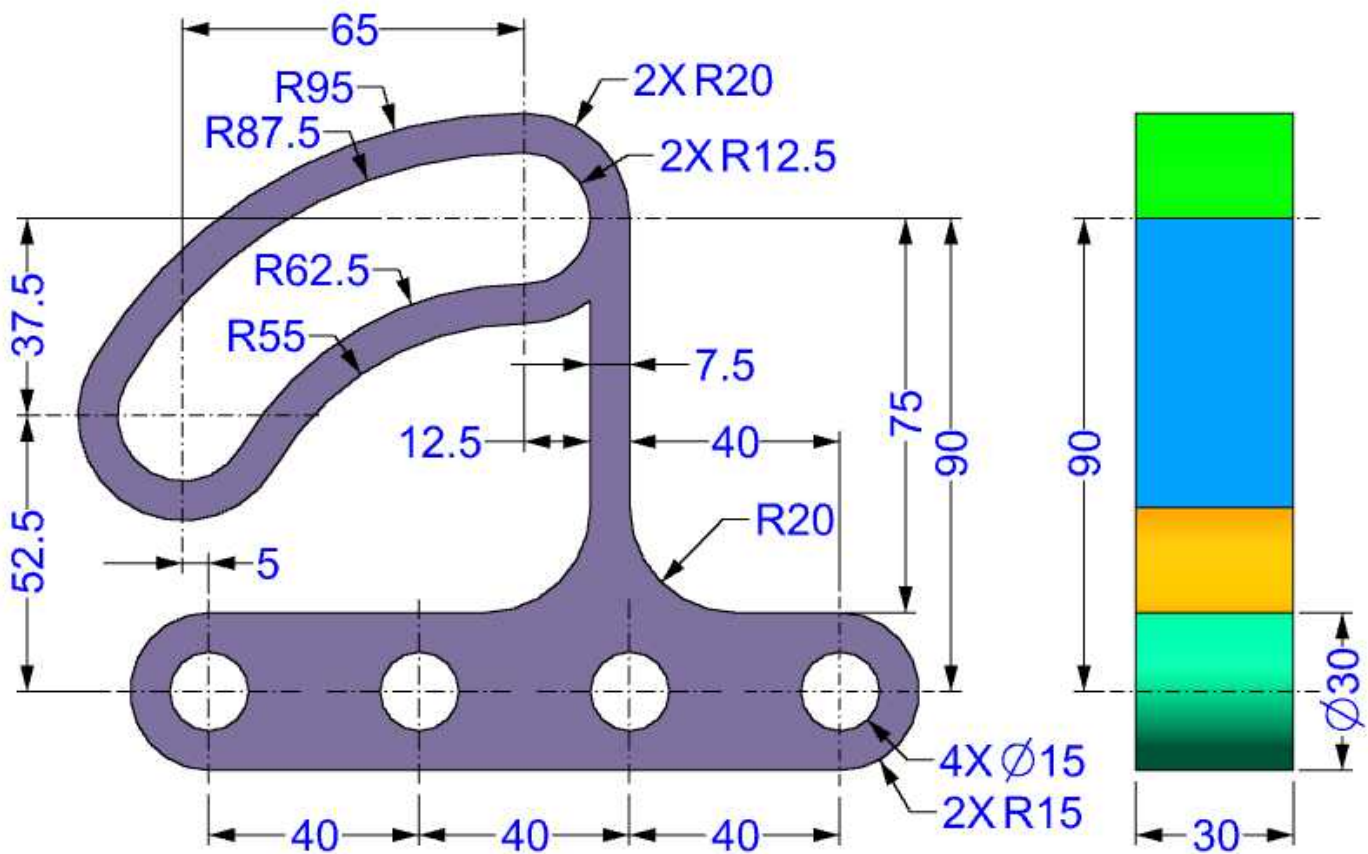
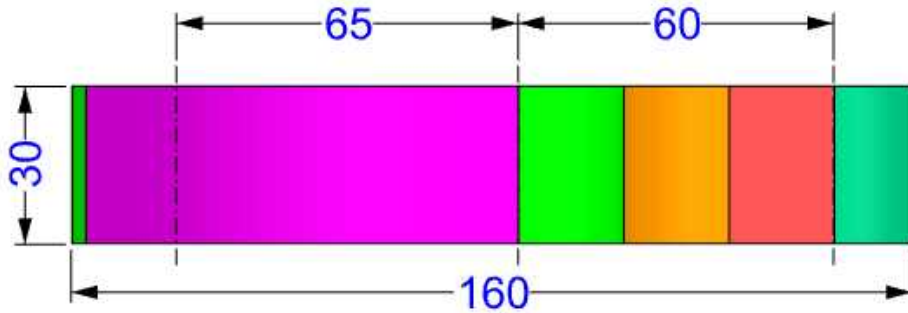
## EXERCISE-181



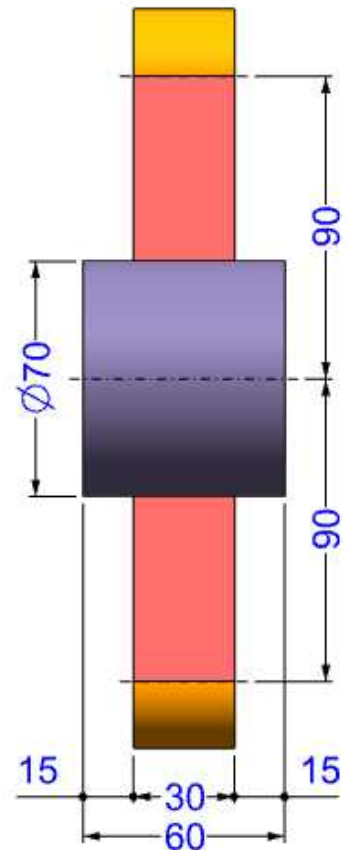
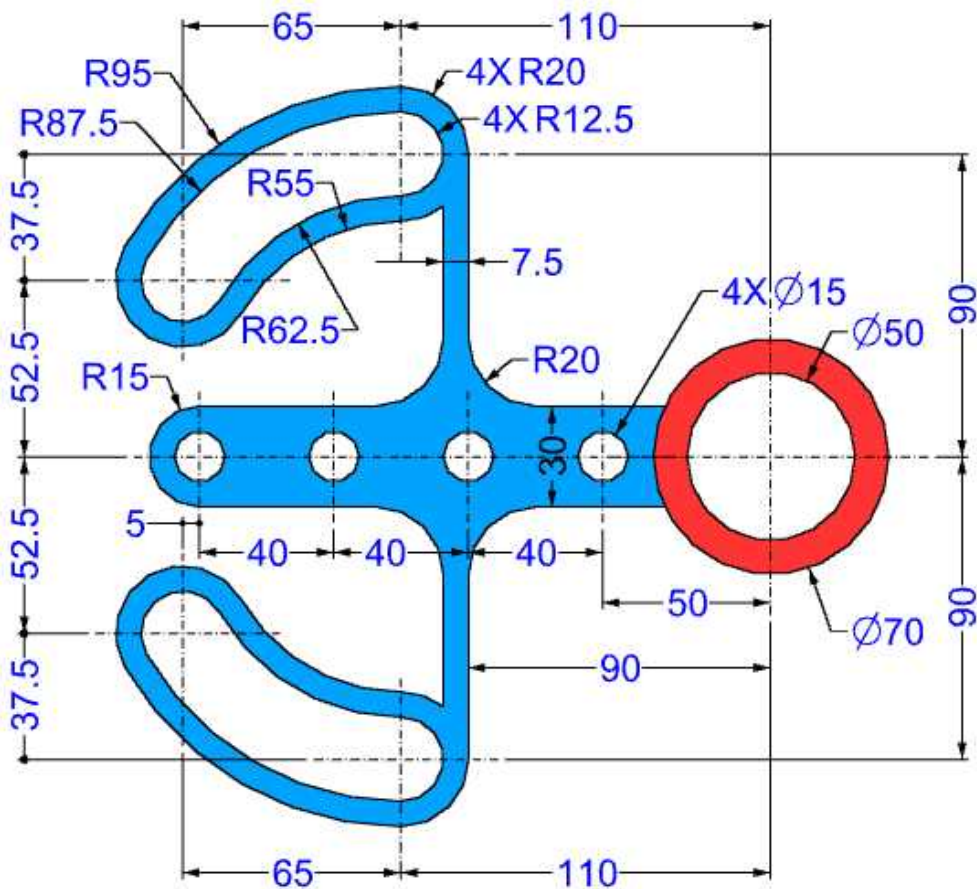
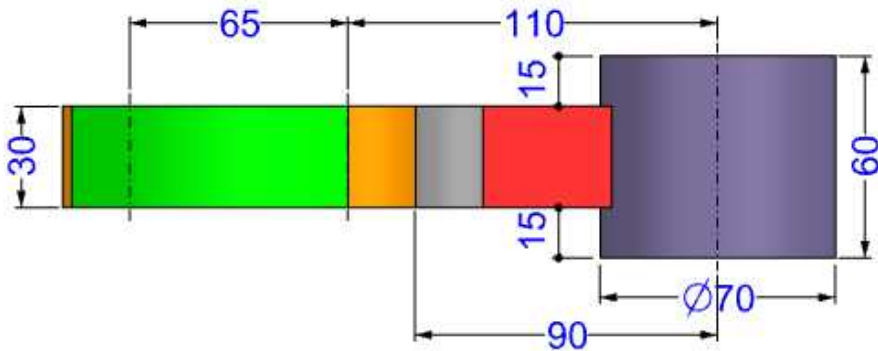
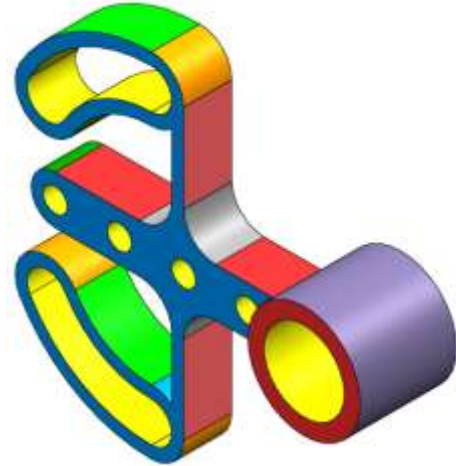
## EXERCISE-182



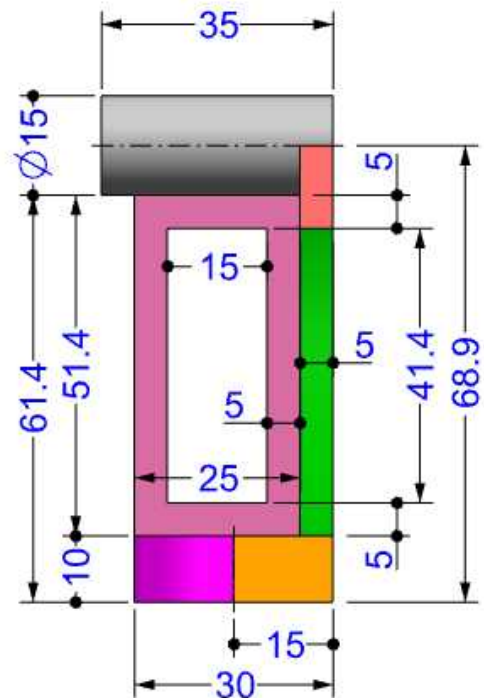
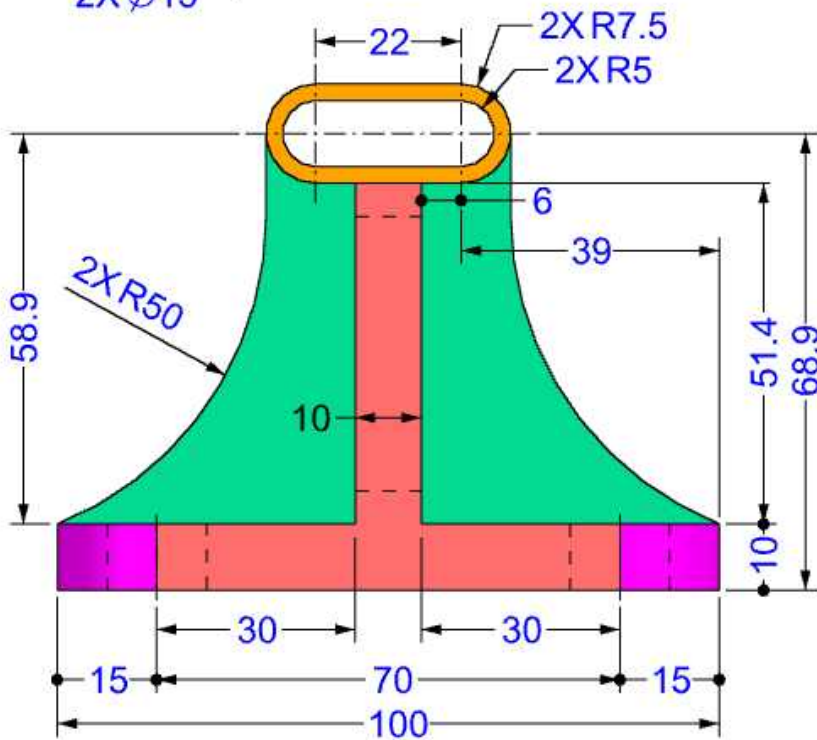
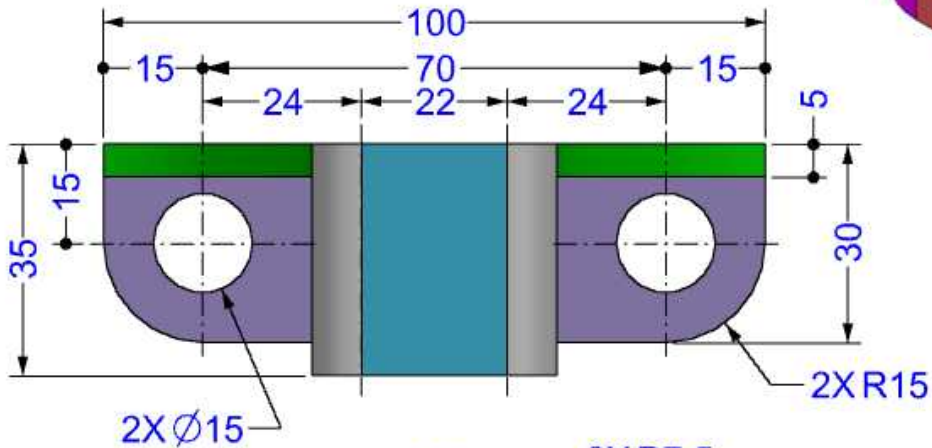
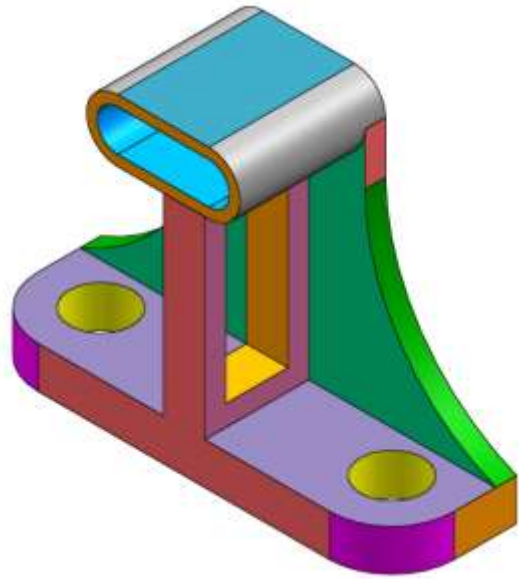
## EXERCISE-183



## EXERCISE-184



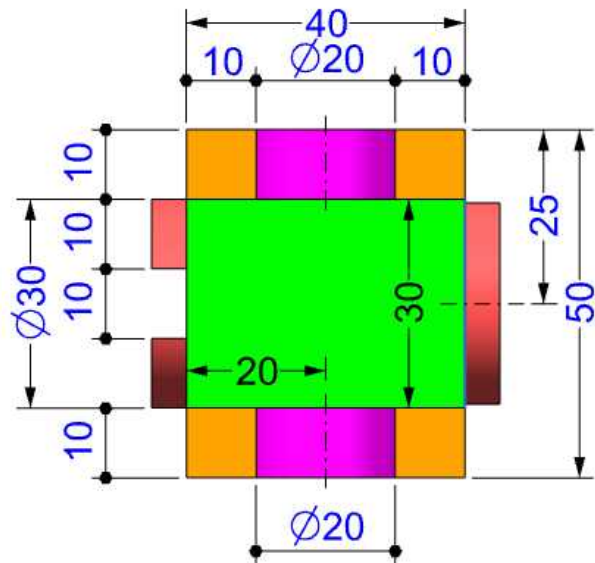
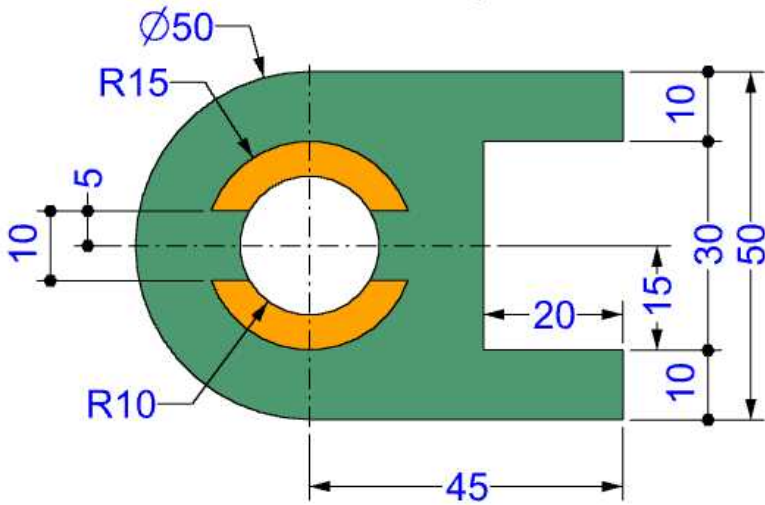
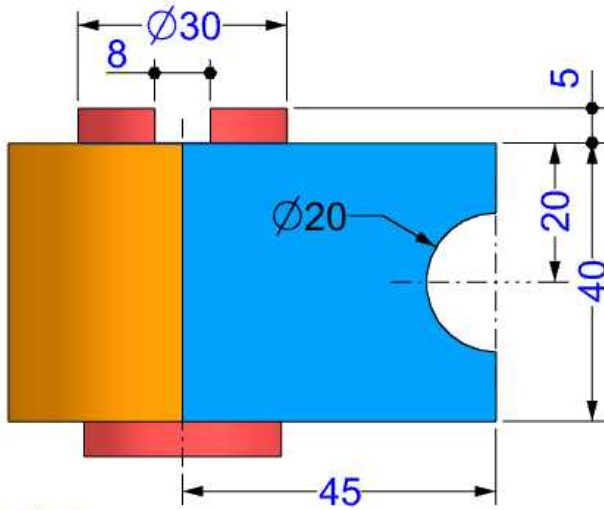
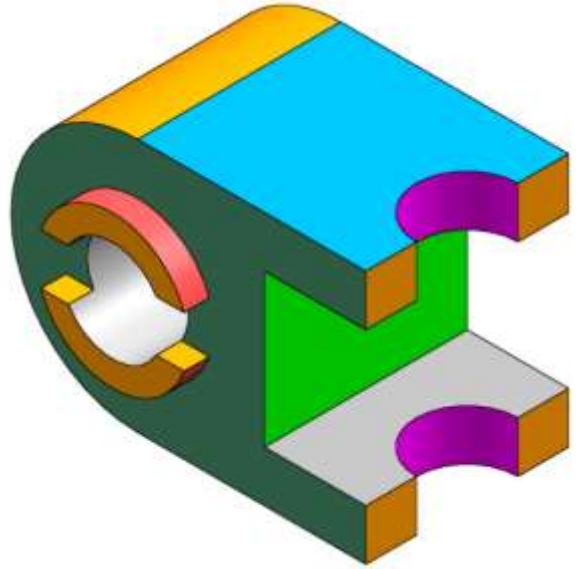
## EXERCISE-185





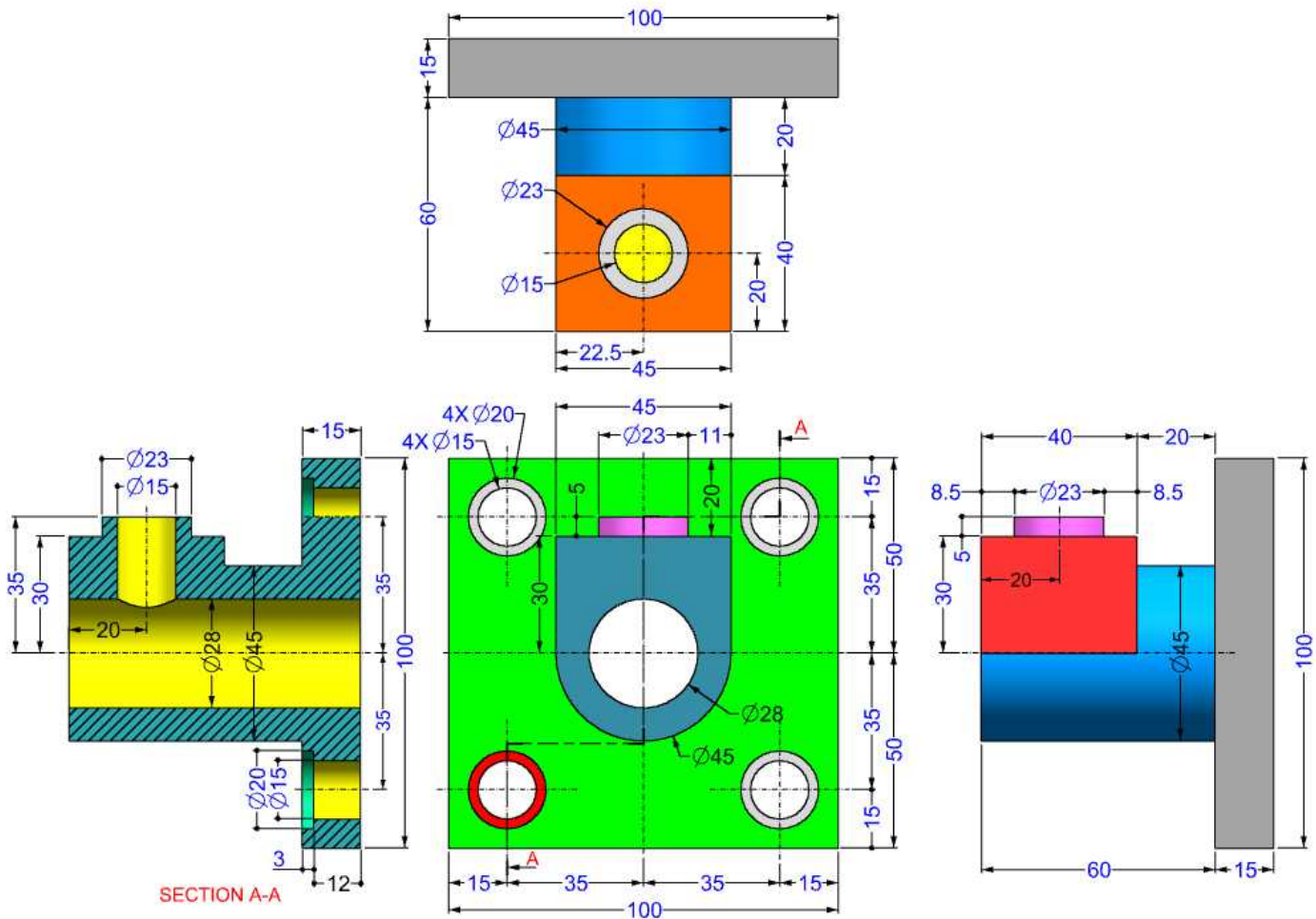
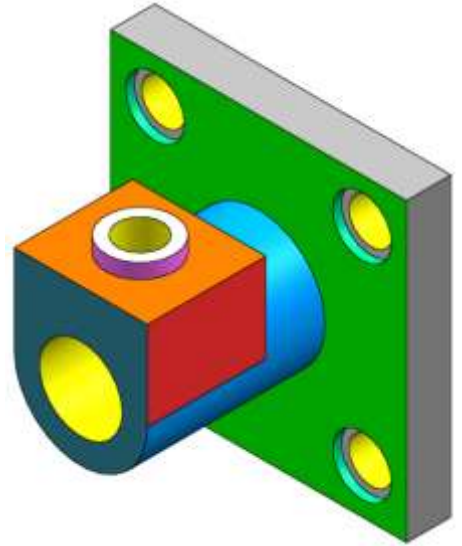


## EXERCISE-188

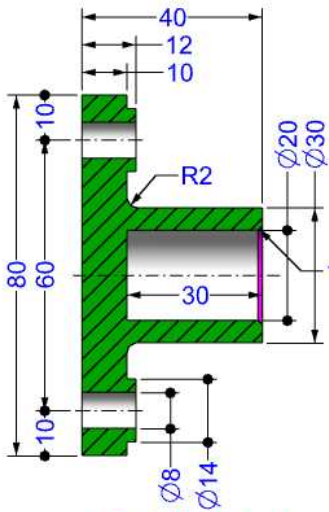
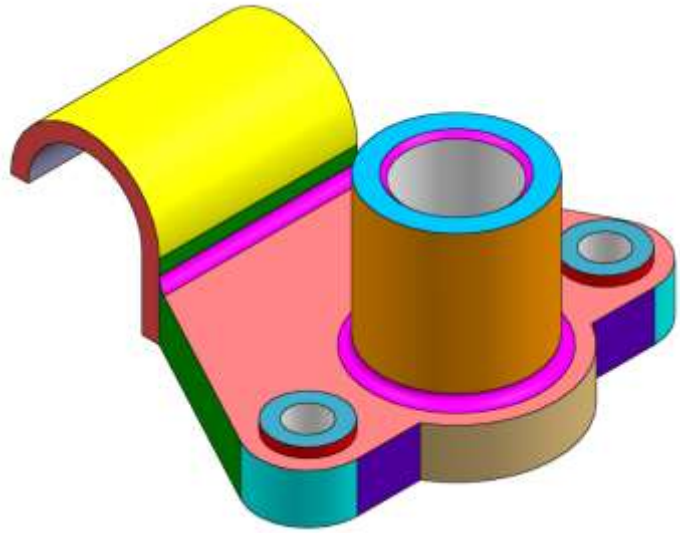




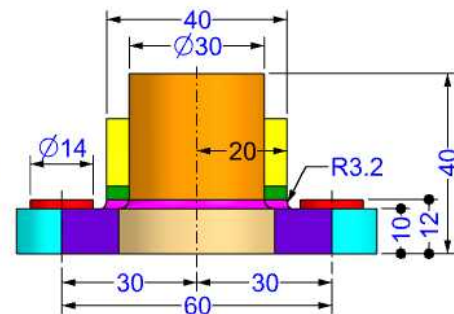
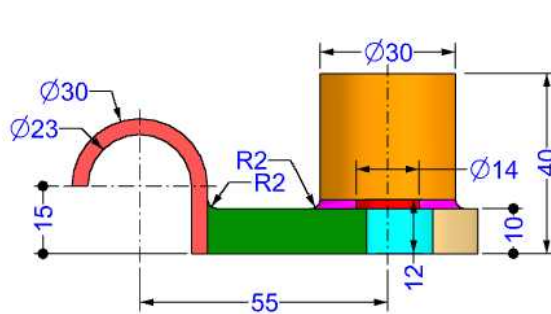
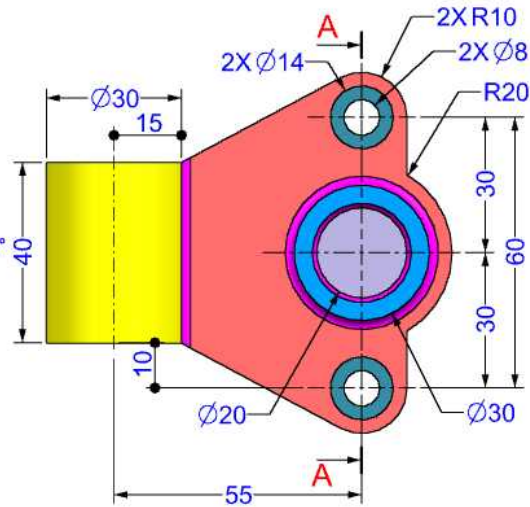
## EXERCISE-190



## EXERCISE-191

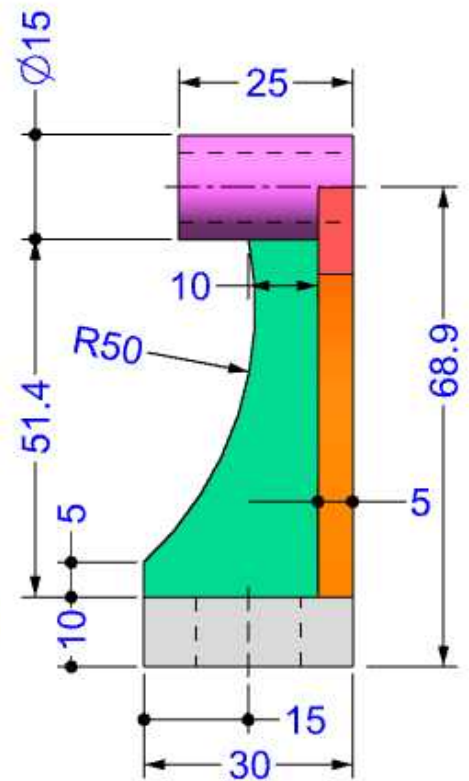
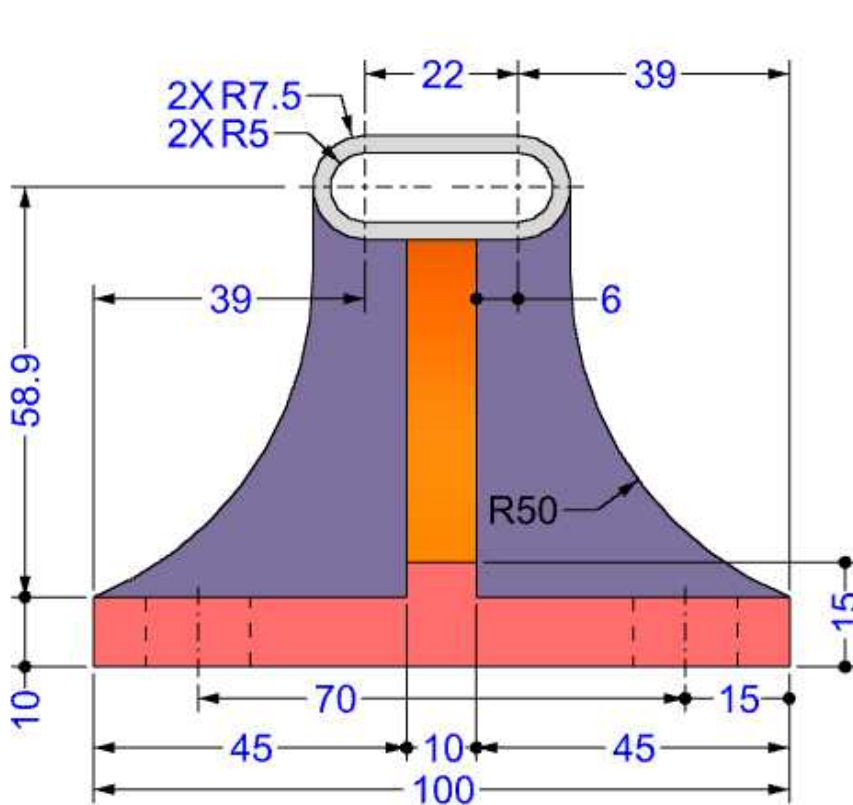
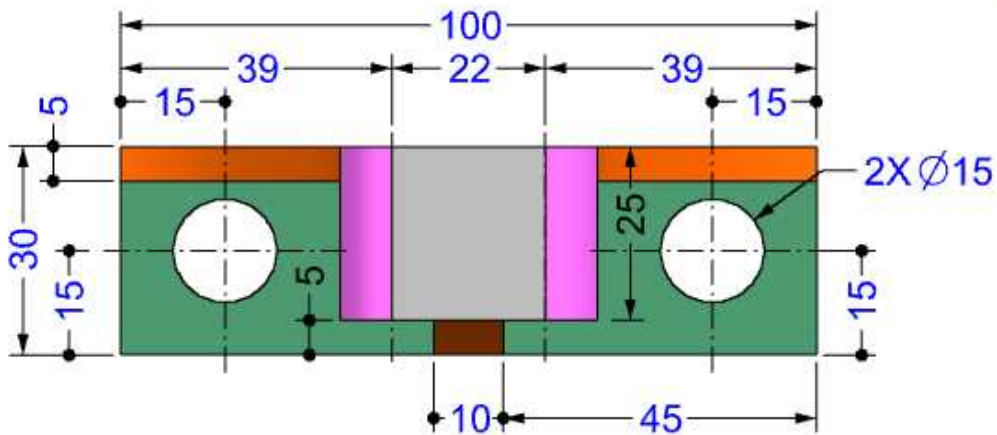
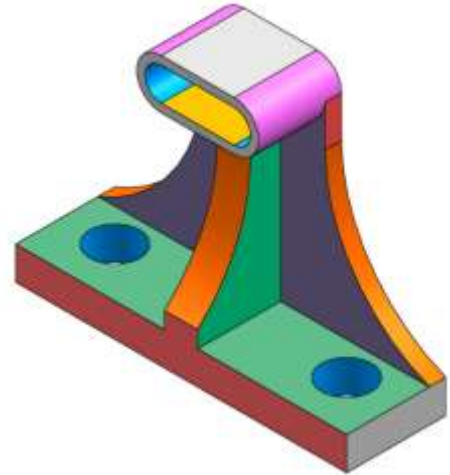


SECTION A-A

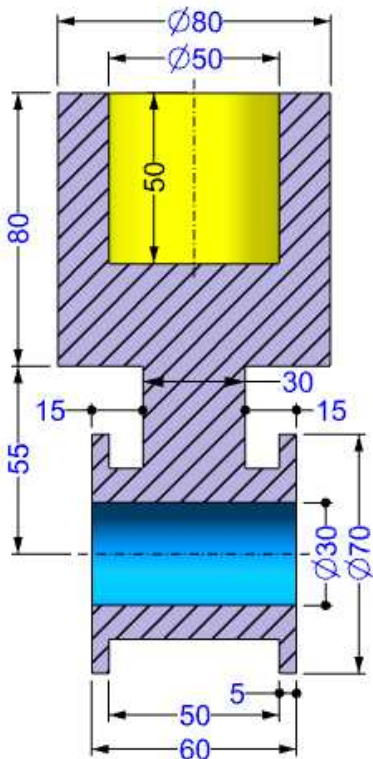
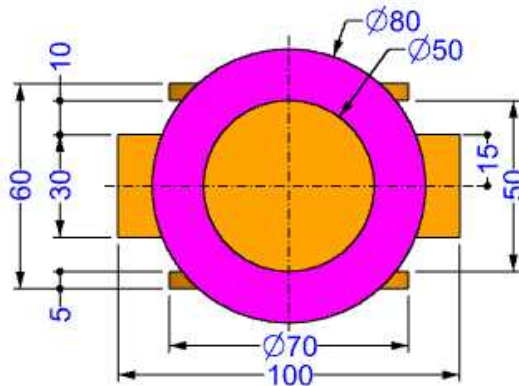
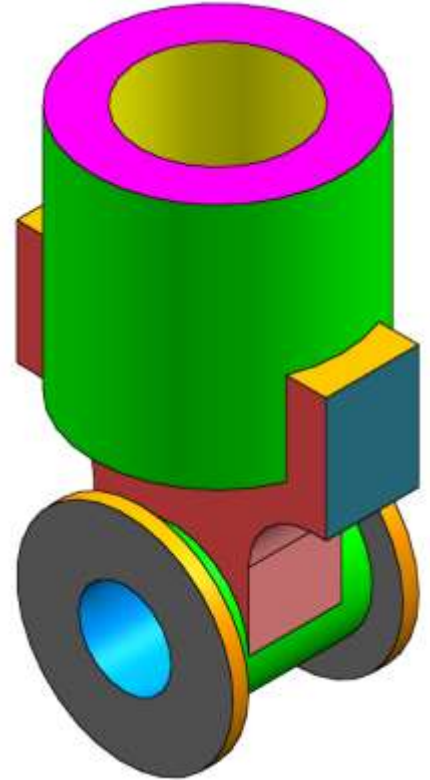




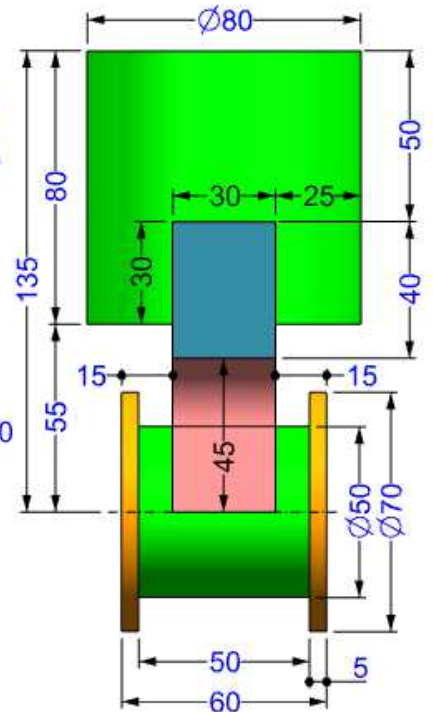
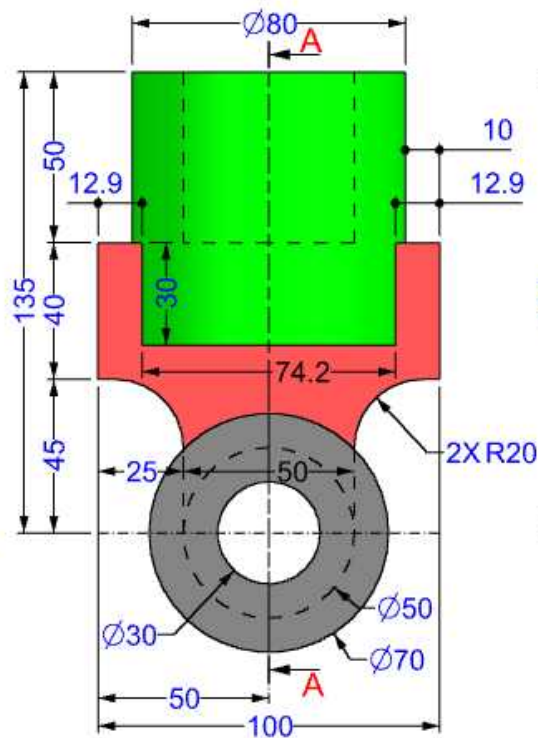
## EXERCISE-193



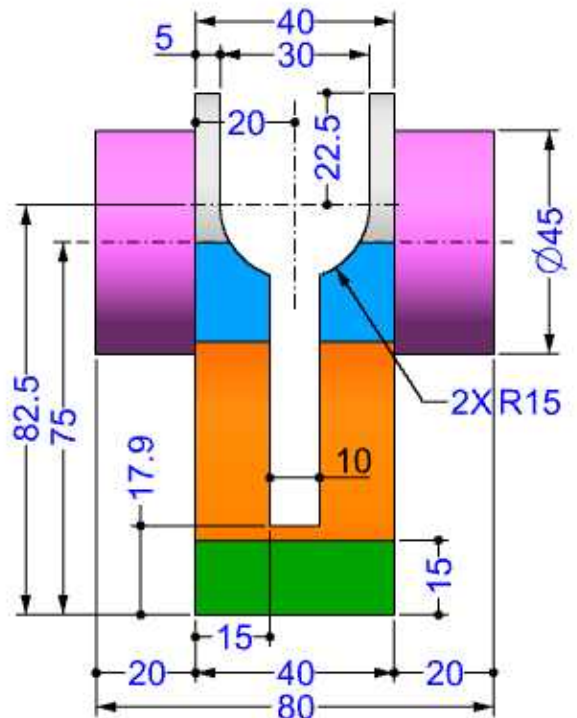
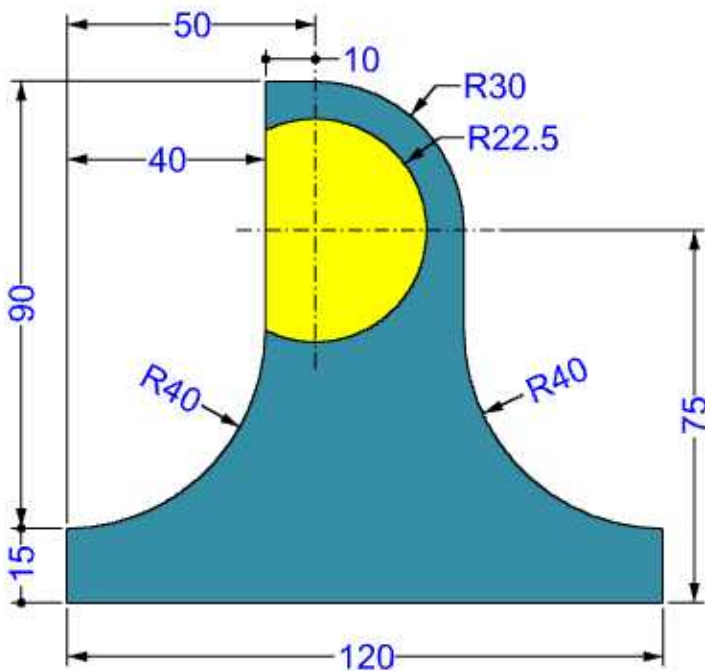
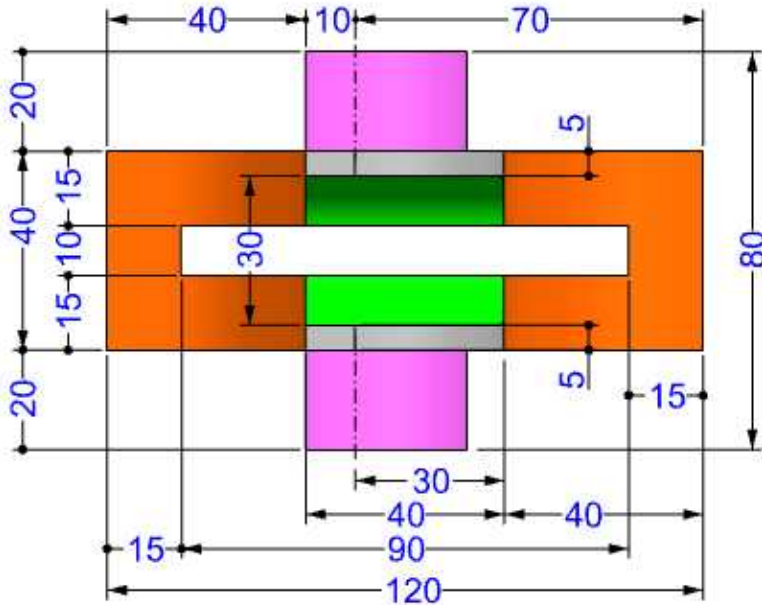
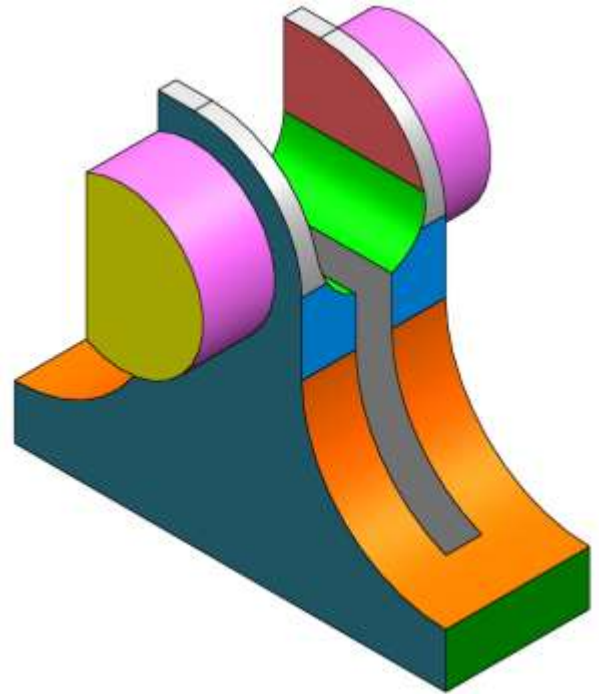
## EXERCISE-194



SECTION A-A

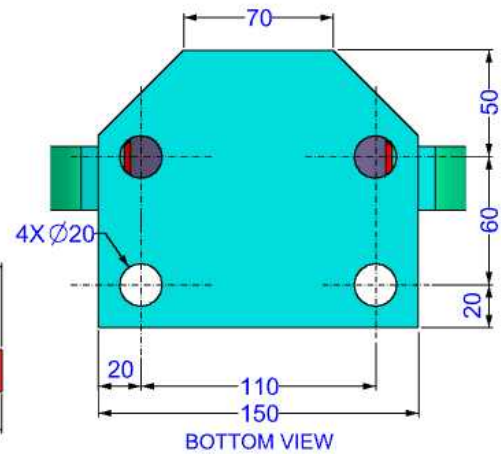
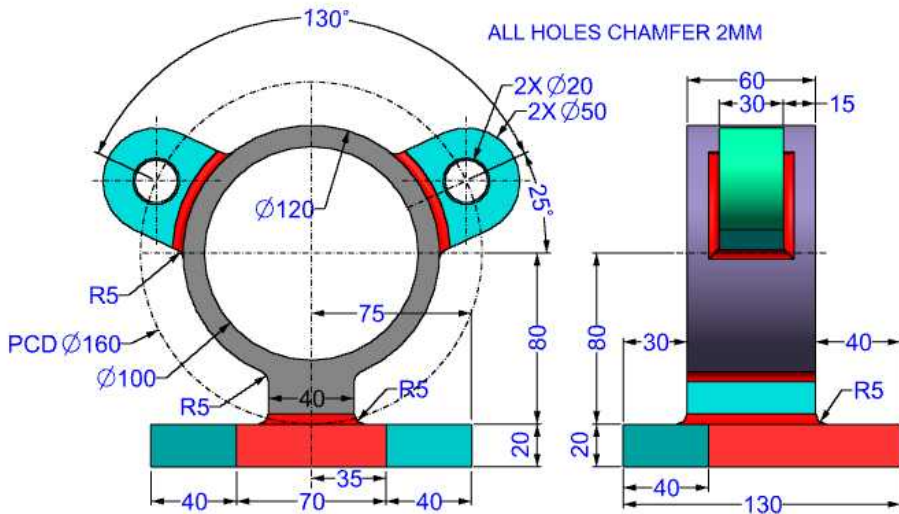
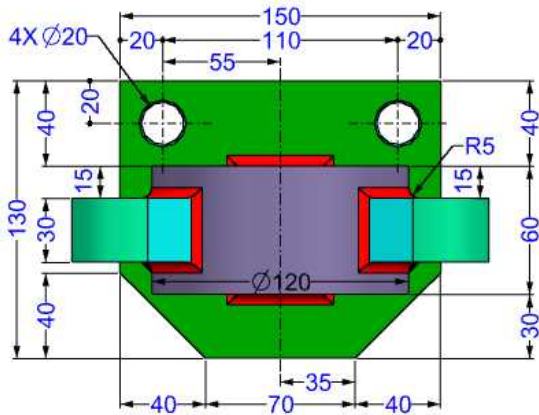
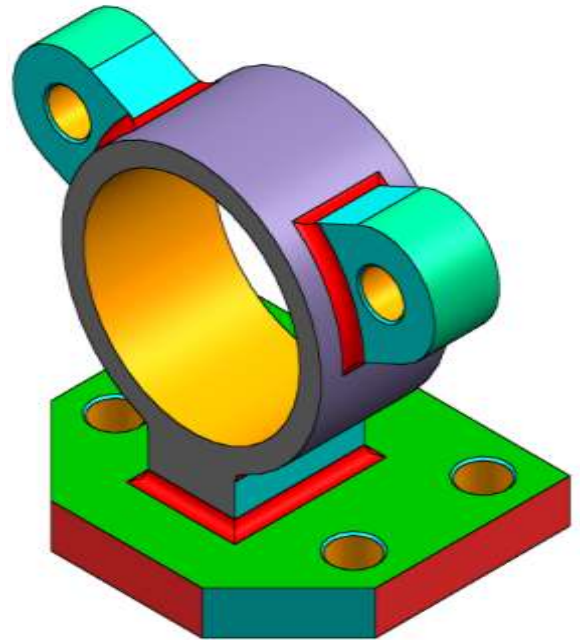


## EXERCISE-195





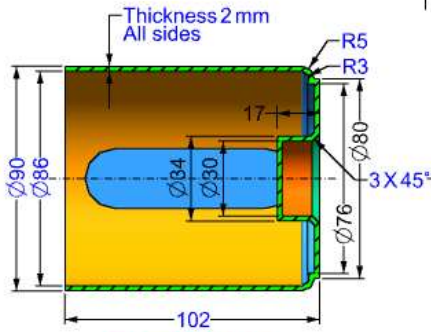
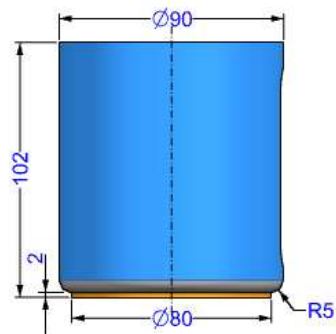
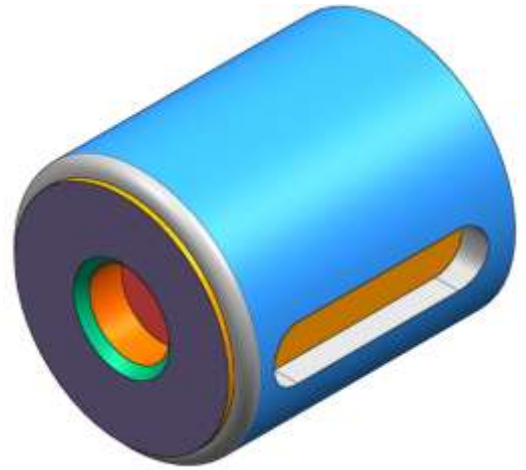
## EXERCISE-197



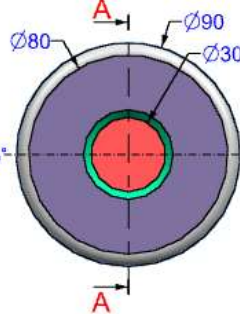




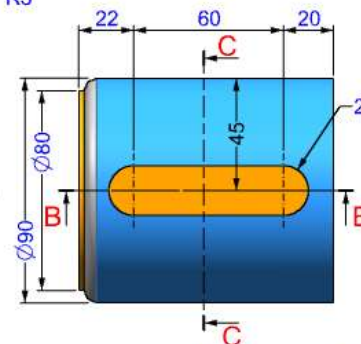
## EXERCISE-200



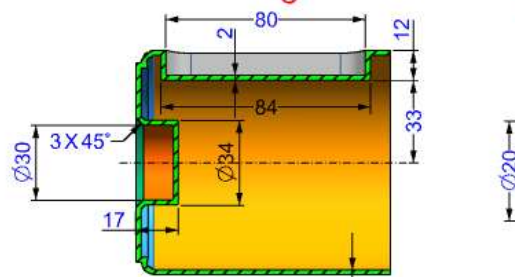
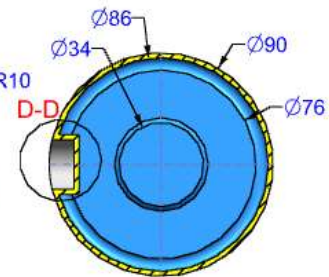
SECTION A-A



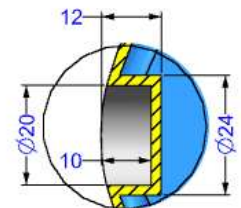
A



SECTION B-B

SECTION B-B  
Thickness 2 mm  
All sides

SECTION C-C

DETAIL D-D  
SCALE 2:1

## Other Books Authored by Sachidanand Jha

- ❖ [150 CAD Exercises](#)
- ❖ [AutoCAD Exercises](#)
- ❖ [CAD Exercises](#)
- ❖ [50+ SolidWorks Exercises](#)
- ❖ [SolidWorks 200 Exercises](#)
- ❖ [Autodesk Inventor Exercises](#)
- ❖ [Catia Exercises](#)
- ❖ [Siemens NX Exercises](#)
- ❖ [Autodesk Fusion 360 Exercises](#)
- ❖ [Siemens Solid Edge Exercises](#)
- ❖ [PTC Creo Exercises](#)



# AUTODESK

# AUTOCAD MECHANICAL

## 400 PRACTICE DRAWINGS

### ABOUT THE BOOK

- ❖ S.I Units
- ❖ Predominantly used Third Angle Projection.
- ❖ This book provides 200 2D Practice Drawings & 200 3D Exercises.
- ❖ This book is for **AUTOCAD MECHANICAL** and Other Feature-Based Modeling Software such as Autodesk Inventor, Fusion 360, Catia, SolidWorks, NX, Solid Edge, AutoCAD etc.
- ❖ It is intended to provide Drafters, Designers and Engineers with enough CAD 2D & 3D exercises for practice on **AUTOCAD MECHANICAL**.
- ❖ It includes almost all types of exercises that are necessary to provide, clear, concise and systematic information required on industrial machine part drawings.
- ❖ Third Angle Projection is intentionally used to familiarize Drafters, Designers and Engineers in Third Angle Projection to meet the expectation of world wide Engineering drawing print.
- ❖ Clear and well drafted drawing help easy understanding of the design.